



US00D797939S

(12) **United States Design Patent** (10) **Patent No.:** **US D797,939 S**
Tipsmark et al. (45) **Date of Patent:** **** Sep. 19, 2017**

(54) **HEARING AID BTE**
(71) Applicant: **OTICON A/S**, Smørum (DK)
(72) Inventors: **Claus Tipsmark**, Smorum (DK); **Peter Spragge**, Smorum (DK); **Troels Holm Pedersen**, Smørum (DK); **Henrik Lucas Hansen**, Smørum (DK); **Jan Puranen**, Bromma (SE)

D698,027 S * 1/2014 Olsen D24/174
D705,936 S * 5/2014 Lockenwitz D24/174
D720,460 S * 12/2014 Jensen D24/174
D734,472 S * 7/2015 Meinertz D24/174
D734,855 S * 7/2015 Meinertz D24/174
D735,339 S * 7/2015 Meinertz D24/174
D735,340 S * 7/2015 Meinertz D24/174
D773,671 S * 12/2016 Johner D24/174
D775,737 S * 1/2017 Meinertz D24/174

* cited by examiner

(73) Assignee: **OTICON A/S**, Smorum (DK)
(**) Term: **15 Years**

Primary Examiner — Thomas Johannes

Assistant Examiner — Samantha Q Lawrence

(21) Appl. No.: **29/558,062**

(74) *Attorney, Agent, or Firm* — Birch, Stewart, Kolasch & Birch, LLP

(22) Filed: **Mar. 15, 2016**

(30) **Foreign Application Priority Data**

(57) **CLAIM**

Sep. 16, 2015 (EM) 0022773655-0001
Sep. 16, 2015 (EM) 0022773655-0002

The ornamental design for a hearing aid BTE, as shown and described.

(51) **LOC (10) Cl.** **24-99**

(52) **U.S. Cl.**
USPC **D24/174**

DESCRIPTION

(58) **Field of Classification Search**
USPC D24/173–175; D14/205, 223–226, 249
CPC .. H04R 2225/025; H04R 25/00; H04R 25/02;
H04R 25/60; H04R 25/67; H04R 25/602;
H04R 25/604; H04R 25/608; H04R
1/1016; H04R 1/105; H04R 1/1083; A61F
11/08

FIG. 1 is a perspective view of a hearing aid BTE;
FIG. 2 is a left side view of the hearing aid BTE;
FIG. 3 is a right side view of the hearing aid BTE;
FIG. 4 is a front view of the hearing aid BTE;
FIG. 5 is a rear view of the hearing aid BTE;
FIG. 6 is a top view of the hearing aid BTE; and,
FIG. 7 is a bottom view of the hearing aid BTE.

See application file for complete search history.

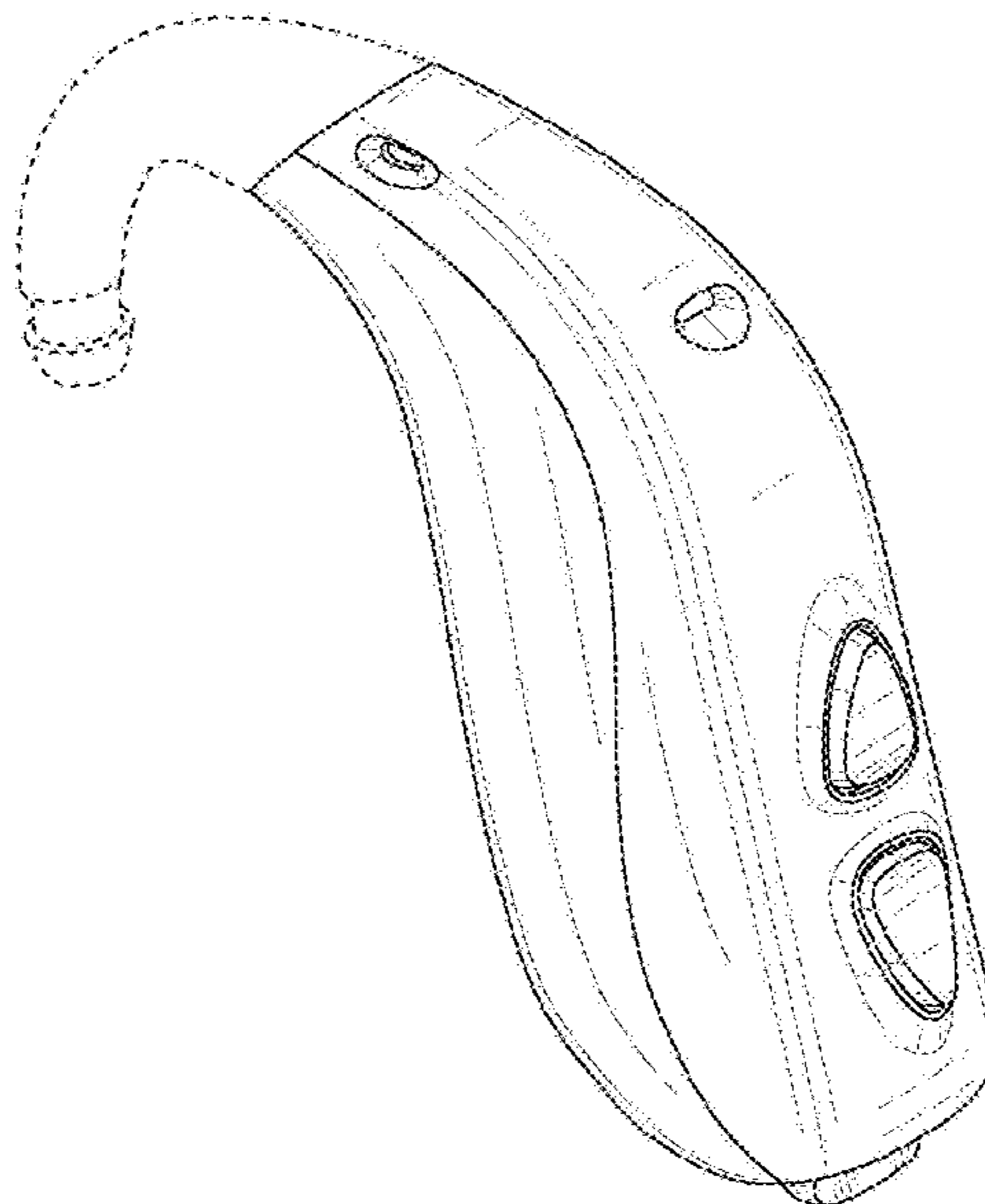
The broken lines in the drawings illustrate portions of the hearing aid BTE that form no part of the claimed design.

(56) **References Cited**

U.S. PATENT DOCUMENTS

D663,846 S * 7/2012 Ingold D24/174
D674,094 S * 1/2013 Takano D24/174

1 Claim, 7 Drawing Sheets



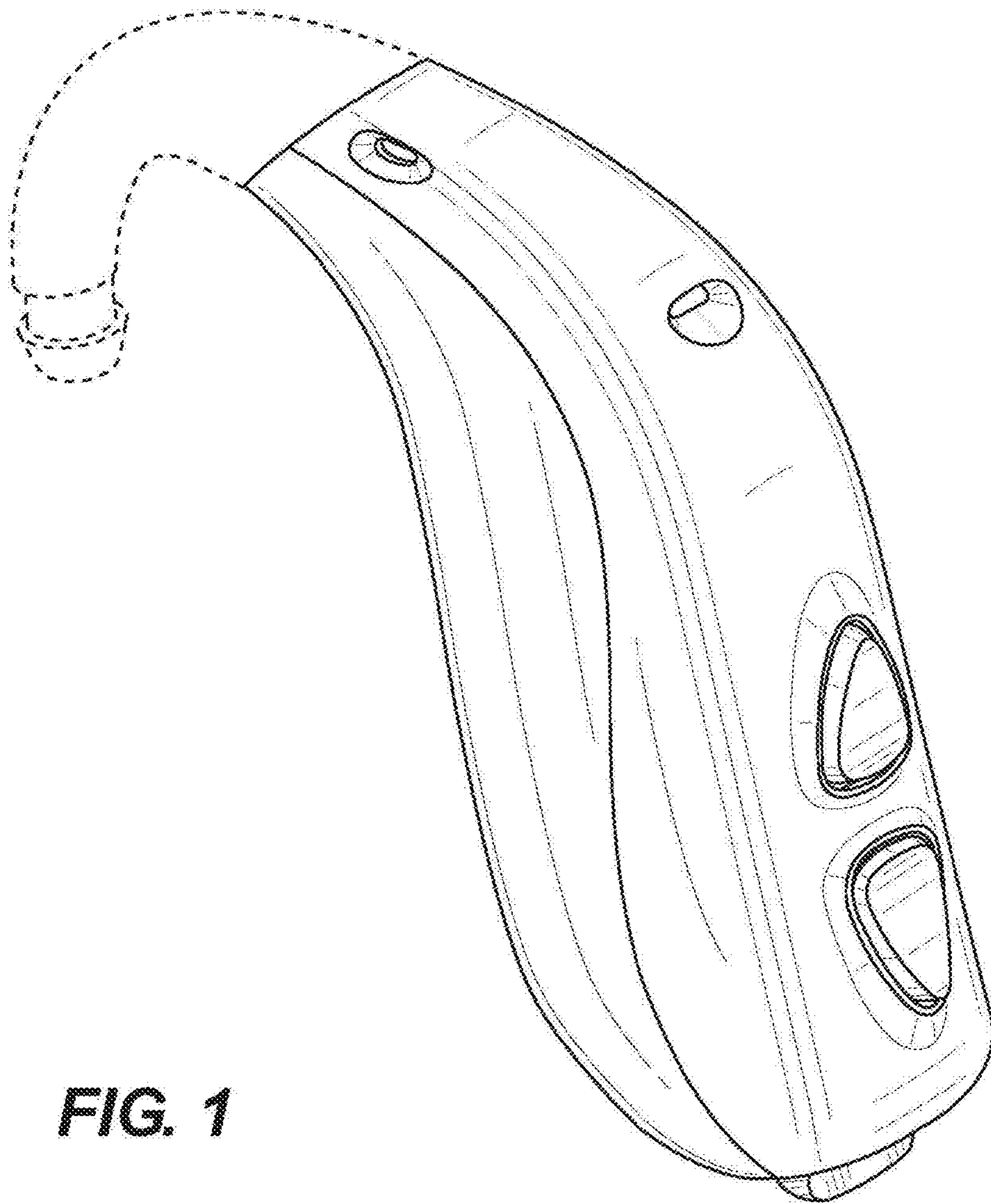


FIG. 1

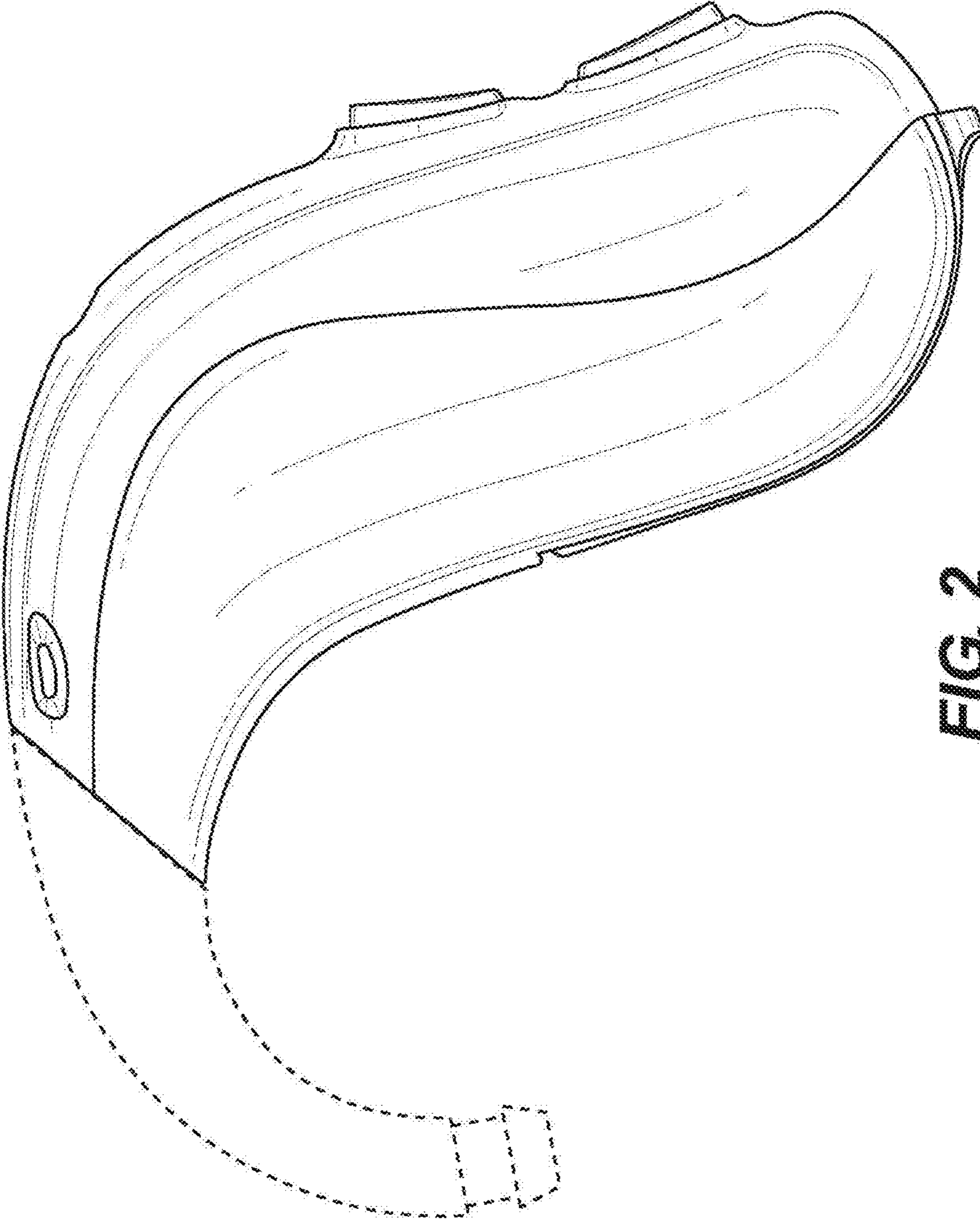


FIG. 2

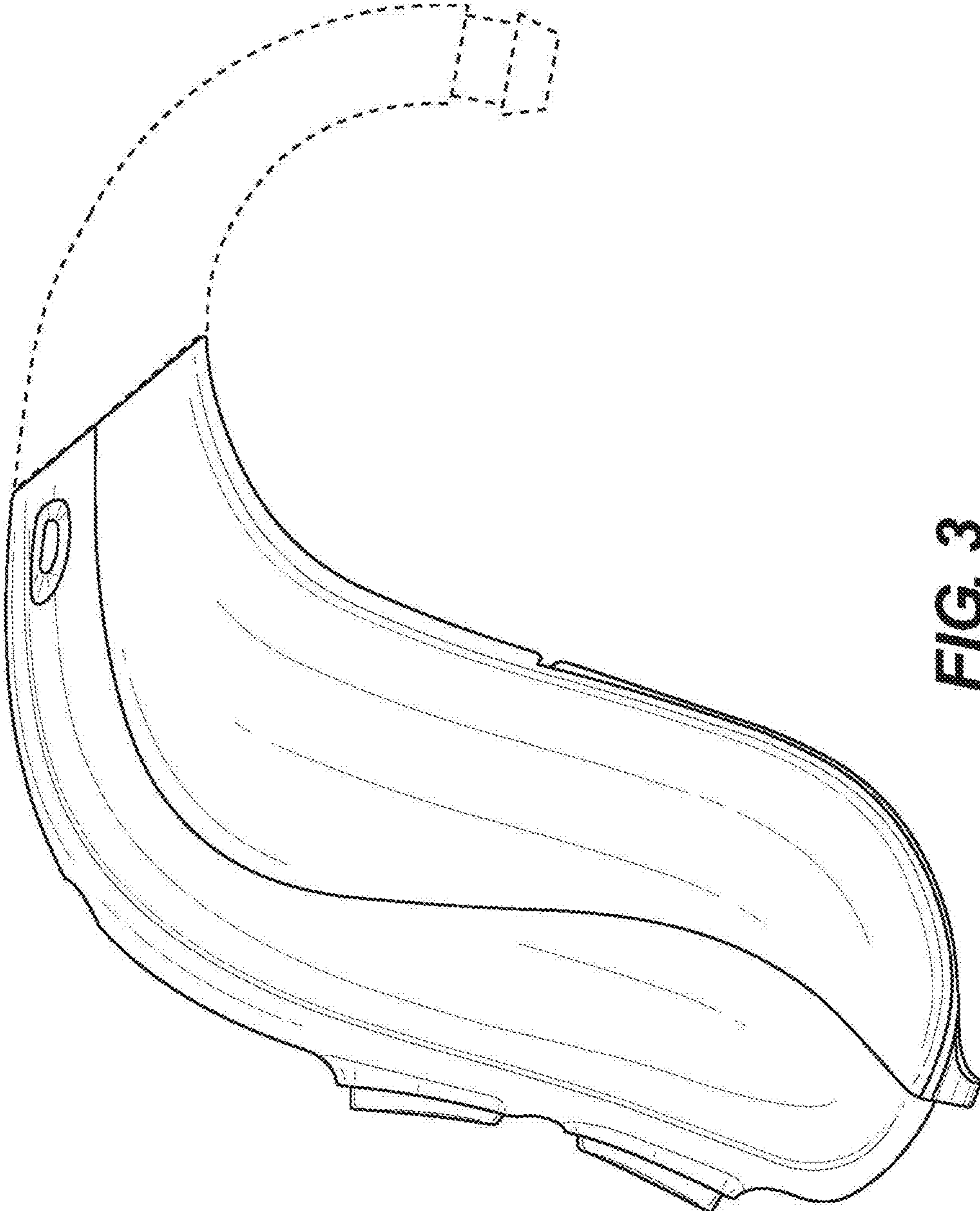


FIG. 3

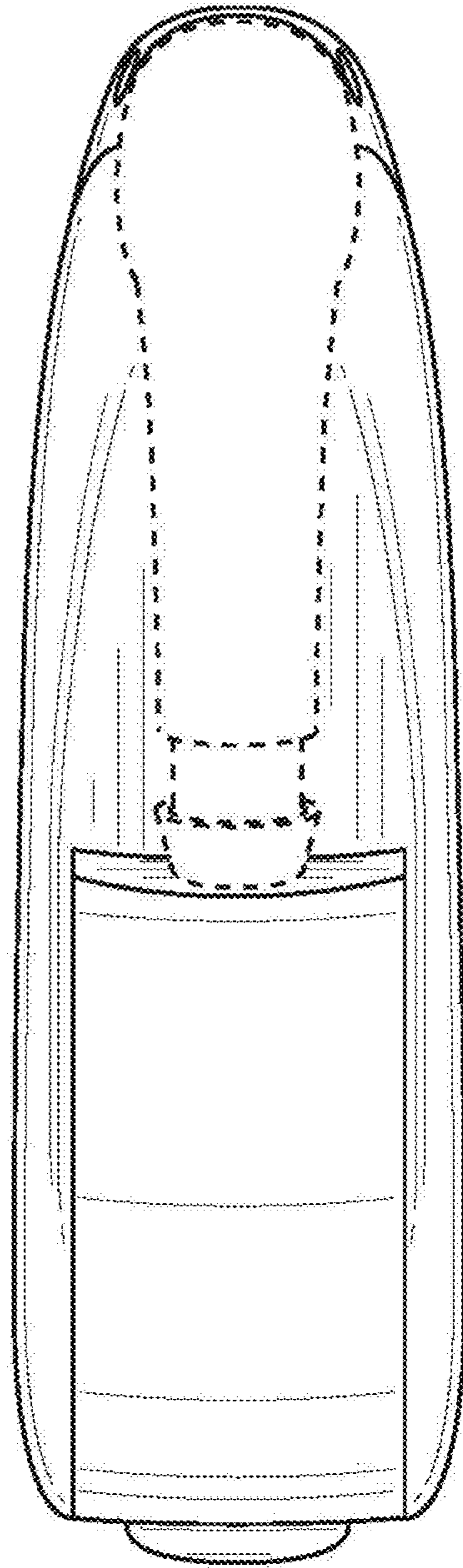


FIG. 4

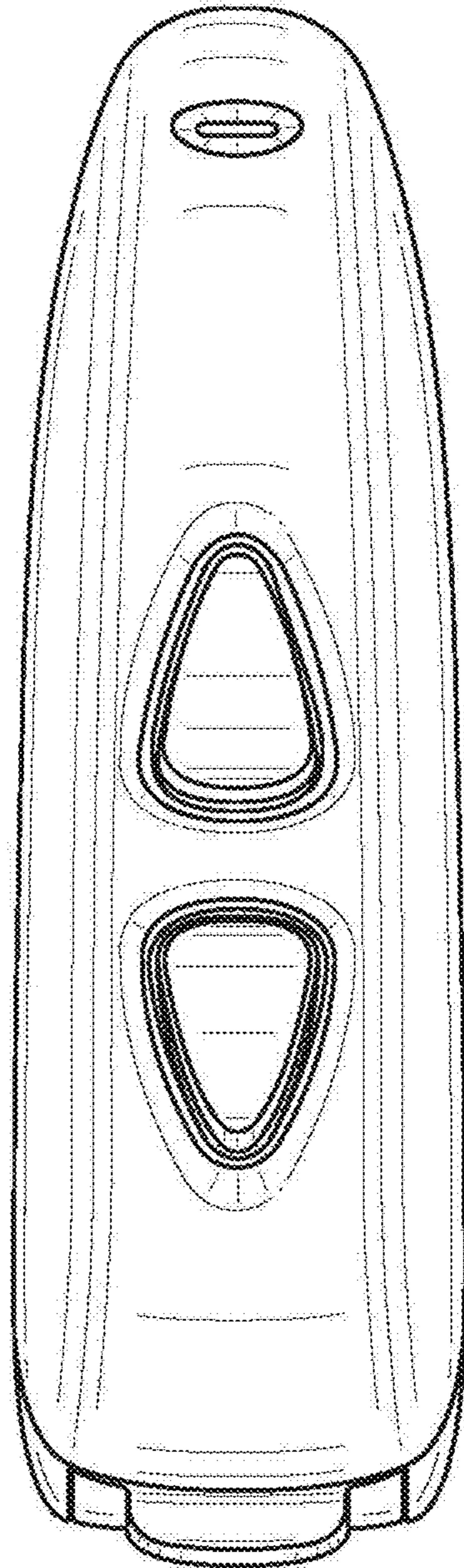


FIG. 5

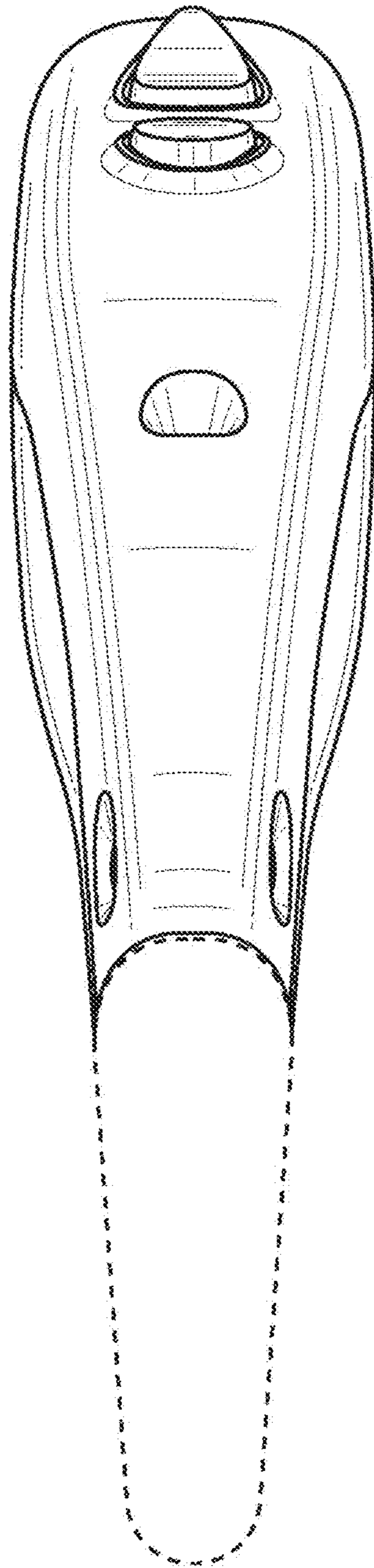


FIG. 6

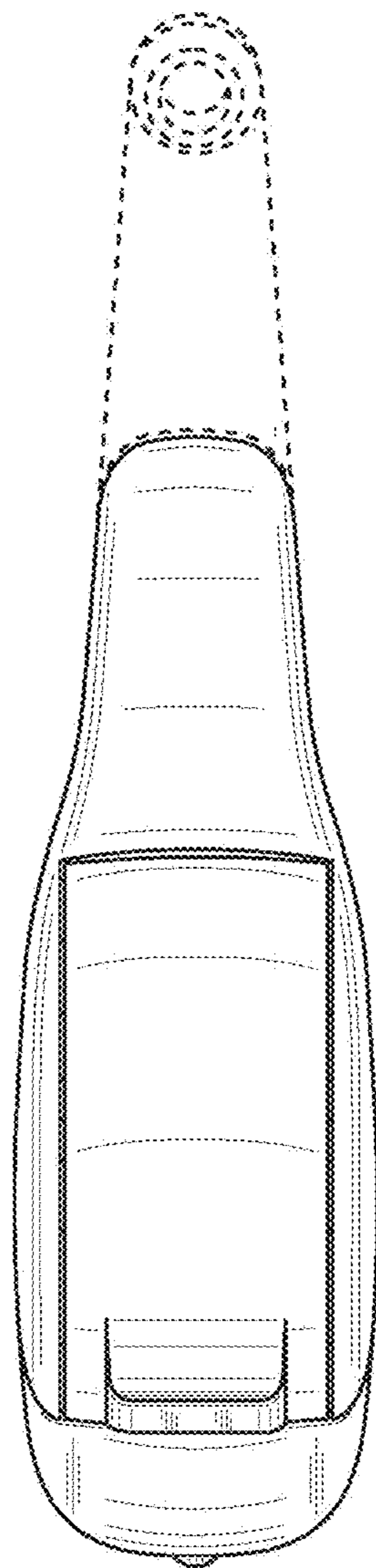


FIG. 7