



US00D797935S

(12) **United States Design Patent**
Newman et al.

(10) **Patent No.:** **US D797,935 S**
(45) **Date of Patent:** **** Sep. 19, 2017**

(54) **MRI COMPATIBLE THERAPEUTIC GAS INJECTOR MODULE**

(71) Applicant: **Mallinckrodt Hospital Products IP Limited, Mulhuddart (IE)**

(72) Inventors: **David Newman, Lebanon, NJ (US); Patrick Sharpe, Waunakee, WI (US); David Strait, Madison, WI (US)**

(73) Assignee: **Mallinckrodt Hospital Products IP Limited, Dublin (IE)**

(**) Term: **15 Years**

(21) Appl. No.: **29/578,294**

(22) Filed: **Sep. 20, 2016**

Related U.S. Application Data

(63) Continuation of application No. 29/544,067, filed on Oct. 30, 2015, now Pat. No. Des. 776,278.

(51) **LOC (10) Cl.** **24-01**

(52) **U.S. Cl.**
USPC **D24/164**

(58) **Field of Classification Search**
USPC D24/164, 110.6, 108, 127, 186;
128/200.24, 207.14, 207.15, 202.16,
128/204.18, 205.24
CPC A61M 16/00; A61M 16/0677; G05D
16/0602; G05D 16/185; G05D 16/103
See application file for complete search history.

(56) **References Cited**

U.S. PATENT DOCUMENTS

5,746,199 A * 5/1998 Bayron A61M 16/0463
128/205.24
6,044,841 A * 4/2000 Verdun A61M 11/06
128/200.14
6,116,242 A 9/2000 Frye

D442,277 S * 5/2001 Pryor D24/110.6
6,364,161 B1 4/2002 Pryor
D469,865 S 2/2003 Bar-Or
6,588,421 B1 7/2003 Diehl
D485,198 S * 1/2004 Islava D10/96
D495,049 S 8/2004 Austin
D497,989 S 11/2004 Myrick
D519,632 S 4/2006 Bayron
7,066,175 B2 * 6/2006 Hamilton A61M 16/00
128/204.23
7,320,324 B2 1/2008 Willeford
(Continued)

OTHER PUBLICATIONS

INOmax DSIR Operation Manual, 2012, Rev-05, Ikaria, inc., Hampton, NJ, USA.

Primary Examiner — David Muller

(74) *Attorney, Agent, or Firm* — Wiggin and Dana LLP; Joseph Casino; Andrew D. Bochner

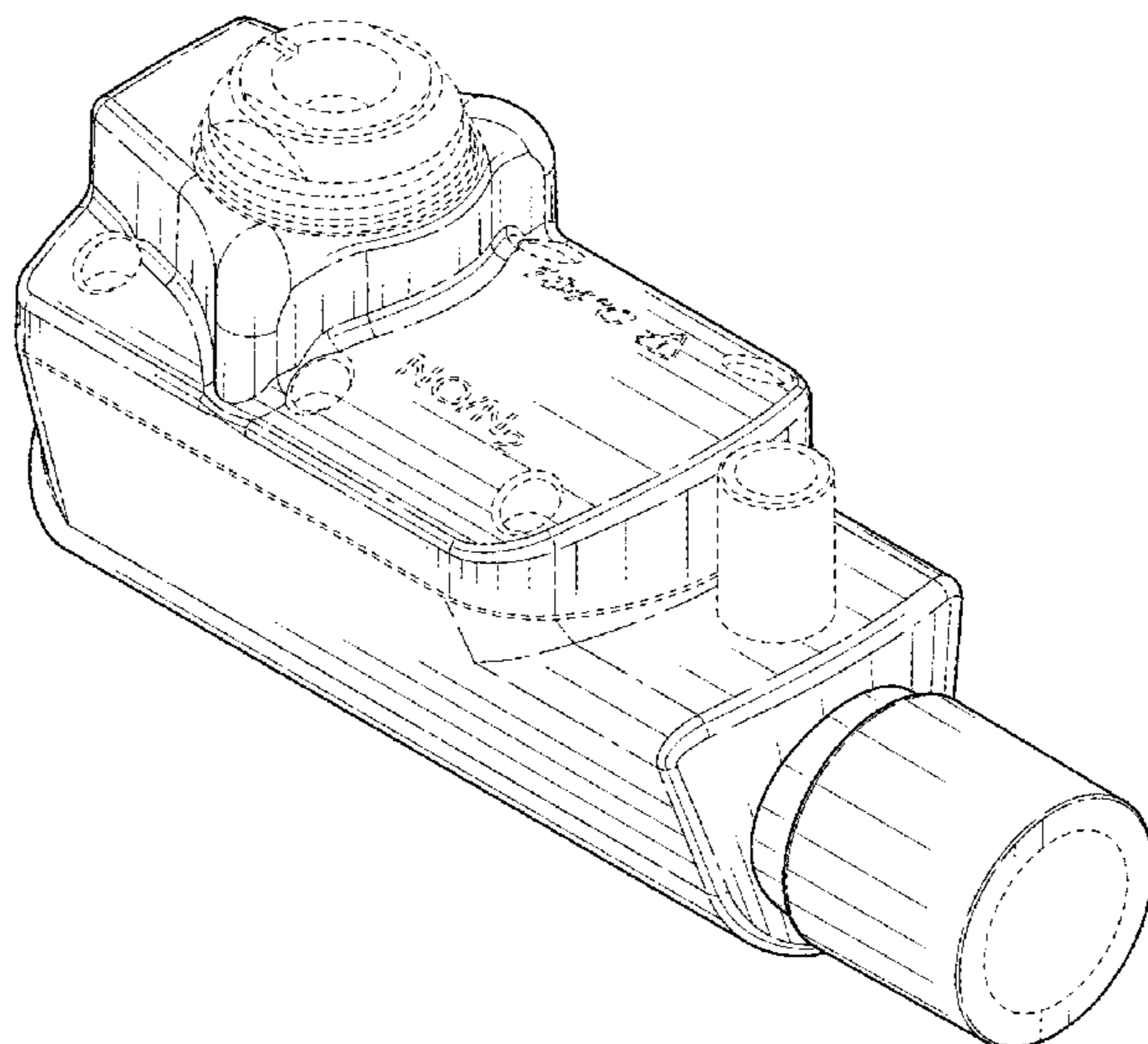
(57) **CLAIM**

We claim the ornamental design for an MRI-compatible therapeutic gas injector module, as shown and described.

DESCRIPTION

FIG. 1 is a top, front, and left-side perspective view of an MRI-compatible therapeutic gas injector module showing our new design;
FIG. 2 is a front elevational view thereof;
FIG. 3 is a rear elevational view thereof;
FIG. 4 is a left side elevational view thereof, the right side being a mirror image;
FIG. 5 is a top plan view thereof;
FIG. 6 is a bottom plan view thereof; and,
FIG. 7 is a bottom, rear, and left-side perspective view thereof.
The broken lines in the figures show portions of the injector module which form no part of the claimed design.

1 Claim, 4 Drawing Sheets



(56)

References Cited

U.S. PATENT DOCUMENTS

7,594,509 B2 * 9/2009 Burk A61M 16/1045
128/201.13
7,770,460 B1 * 8/2010 Chen G01L 19/0038
73/756
7,971,588 B2 7/2011 Fink
D655,405 S * 3/2012 Winter D24/110.6
D659,835 S 5/2012 Benson
D678,521 S * 3/2013 Mort D24/110.6
8,720,435 B2 5/2014 Gallem
D734,854 S 7/2015 Conner
D742,507 S 11/2015 Miller
D775,733 S * 1/2017 Buess D24/164
2002/0162554 A1 * 11/2002 Loescher A61M 16/08
128/205.24
2005/0039746 A1 * 2/2005 Grychowski A61M 15/0086
128/204.18
2005/0150496 A1 * 7/2005 Smaldone A61M 16/0616
128/206.21

* cited by examiner

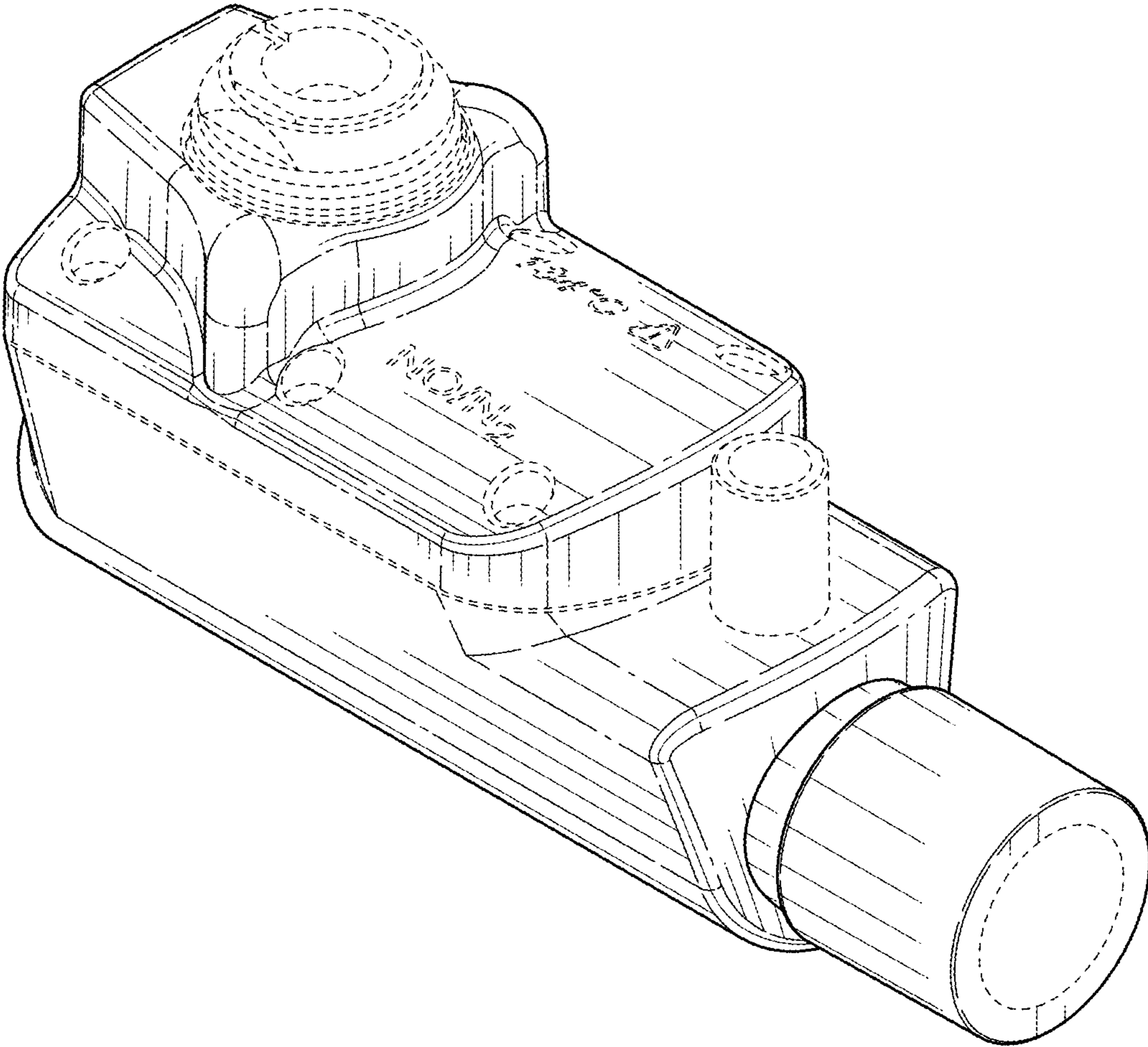


FIG. 1

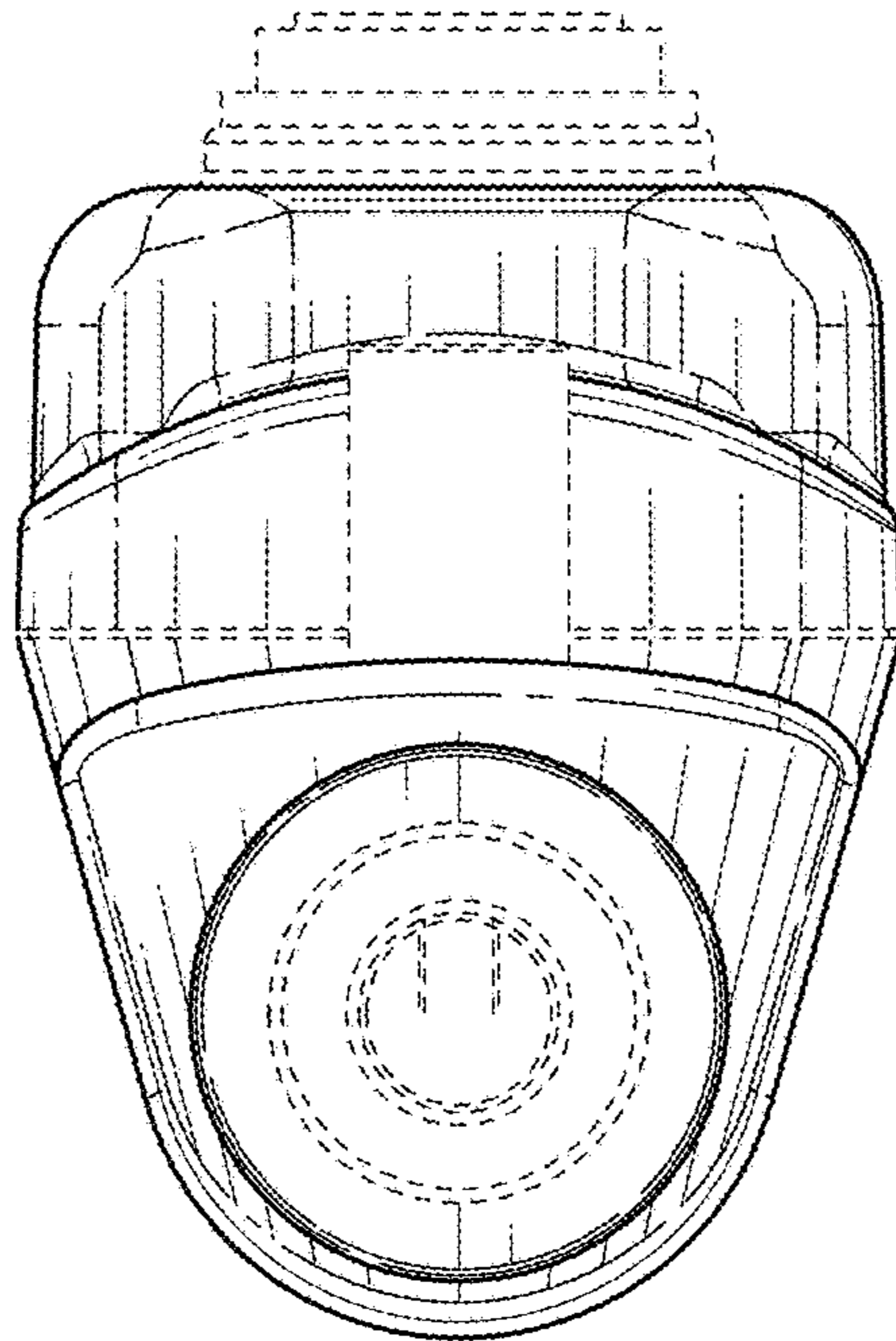


FIG. 2

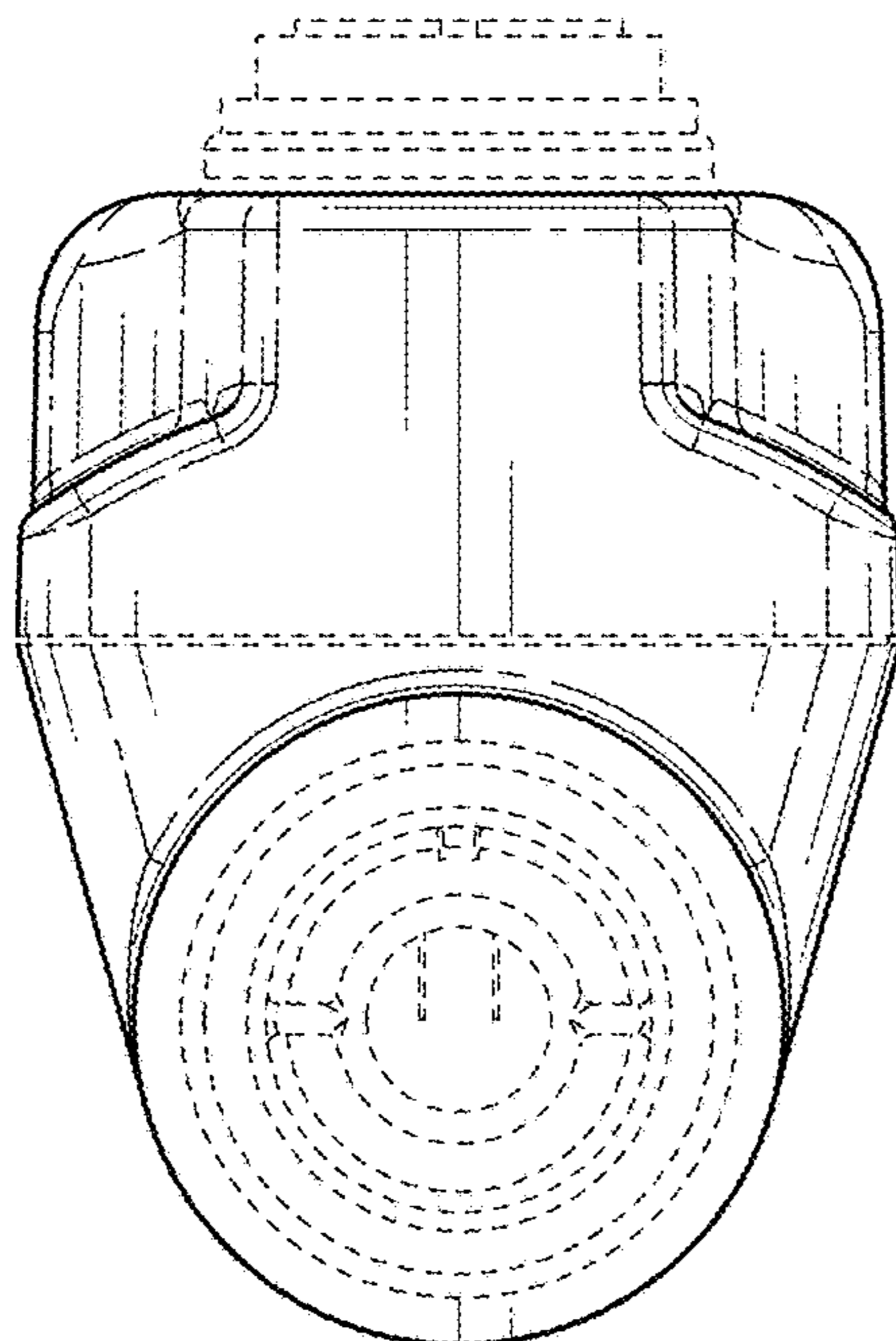


FIG. 3

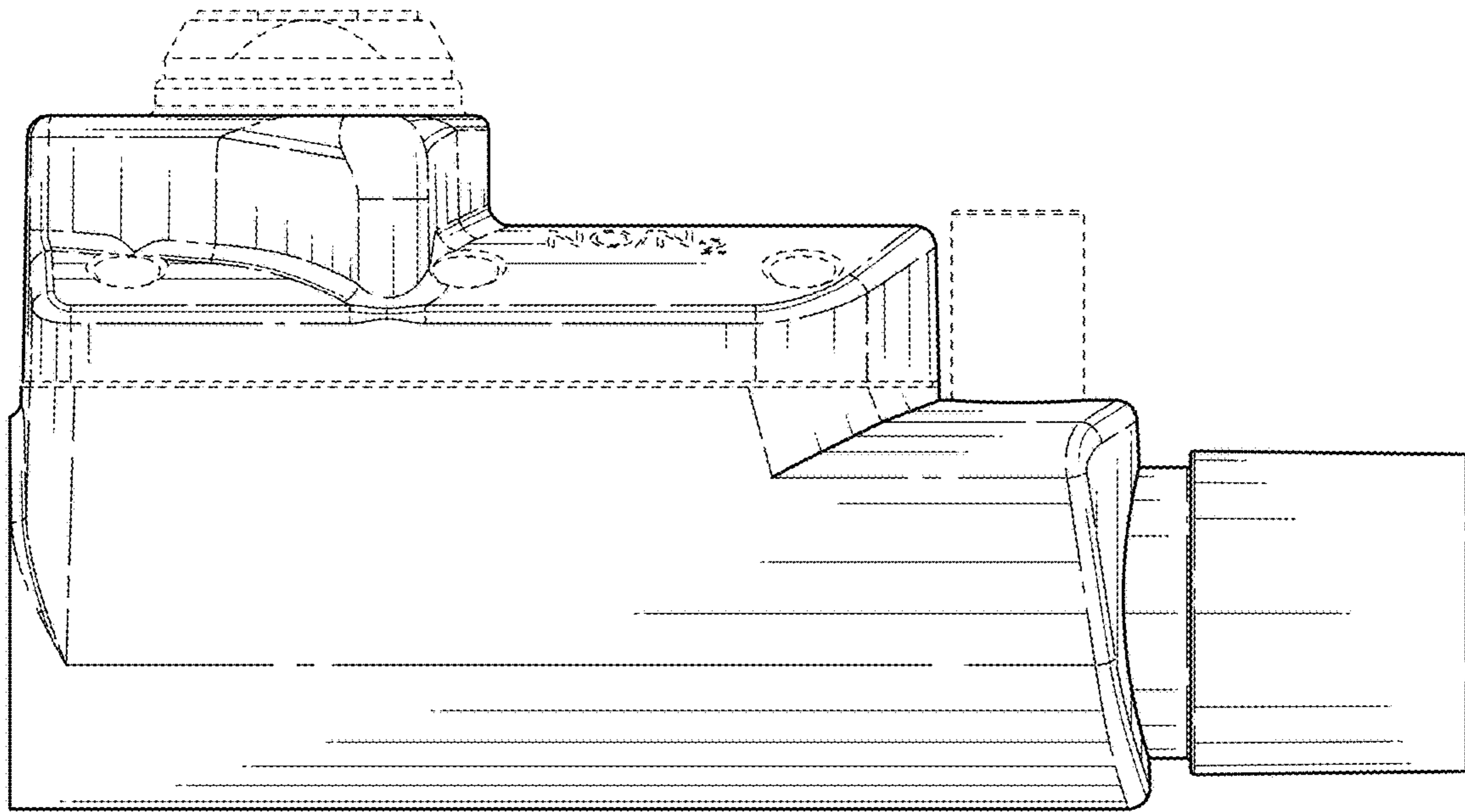


FIG. 4

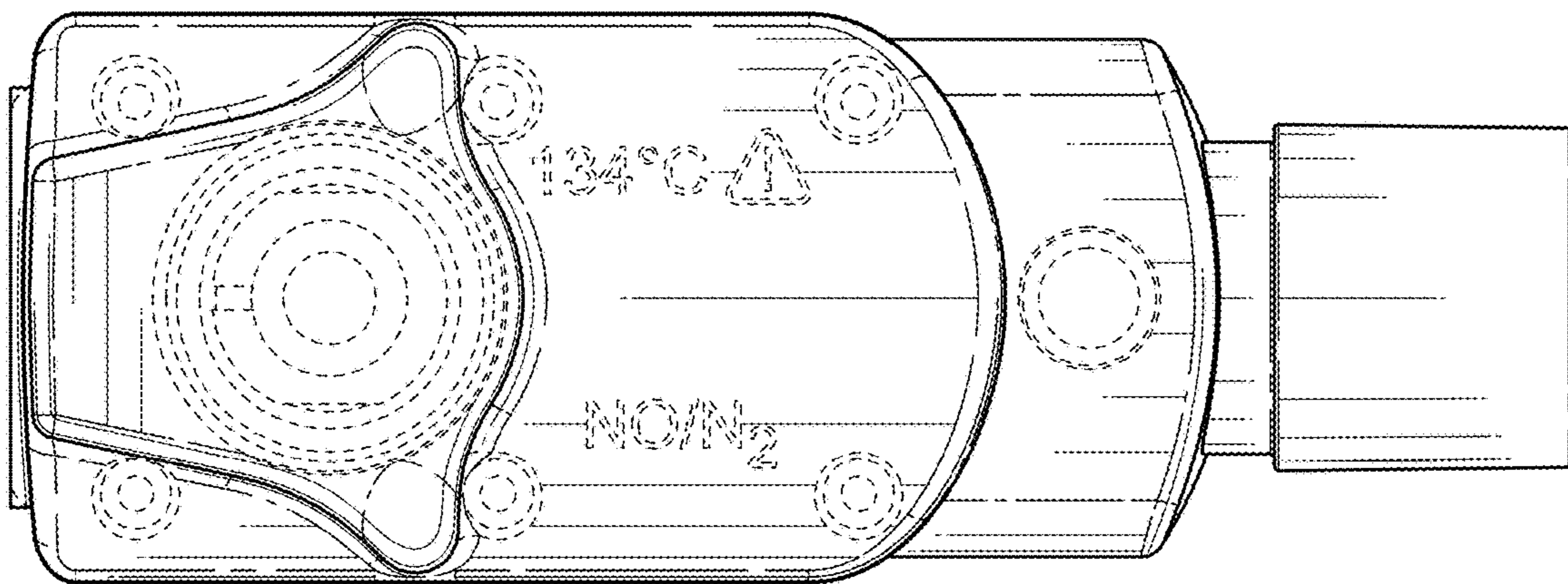


FIG. 5

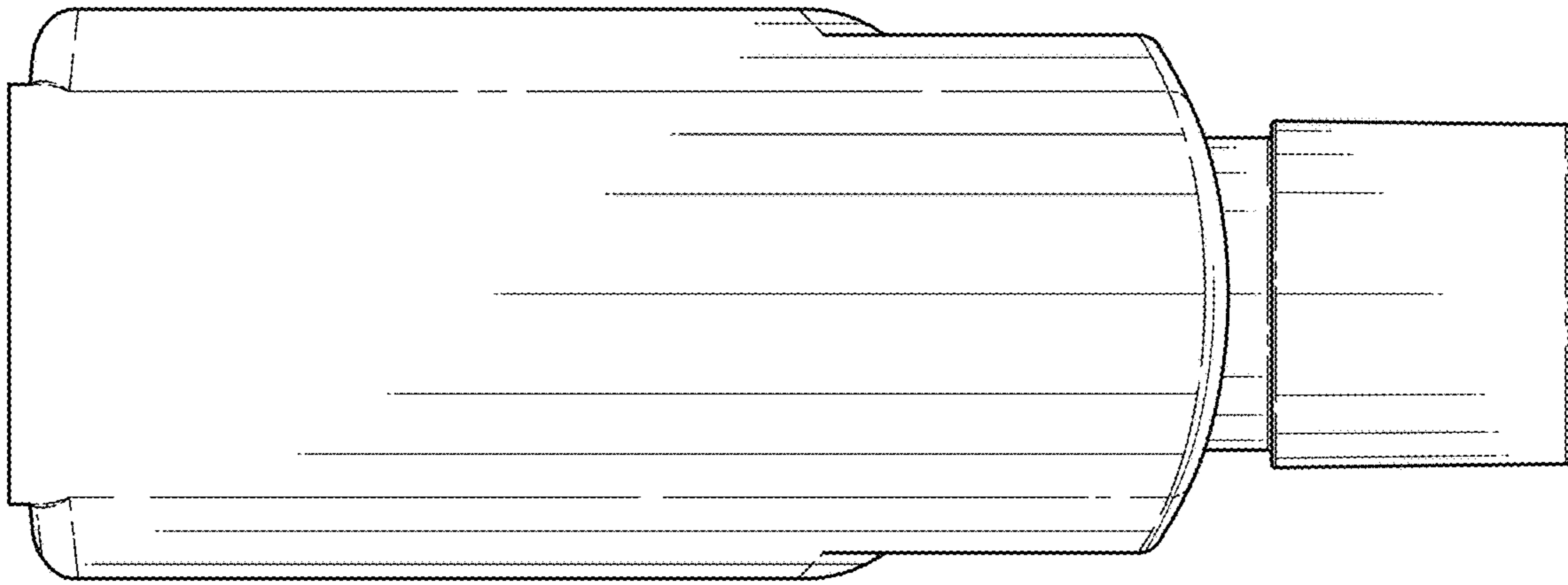


FIG. 6

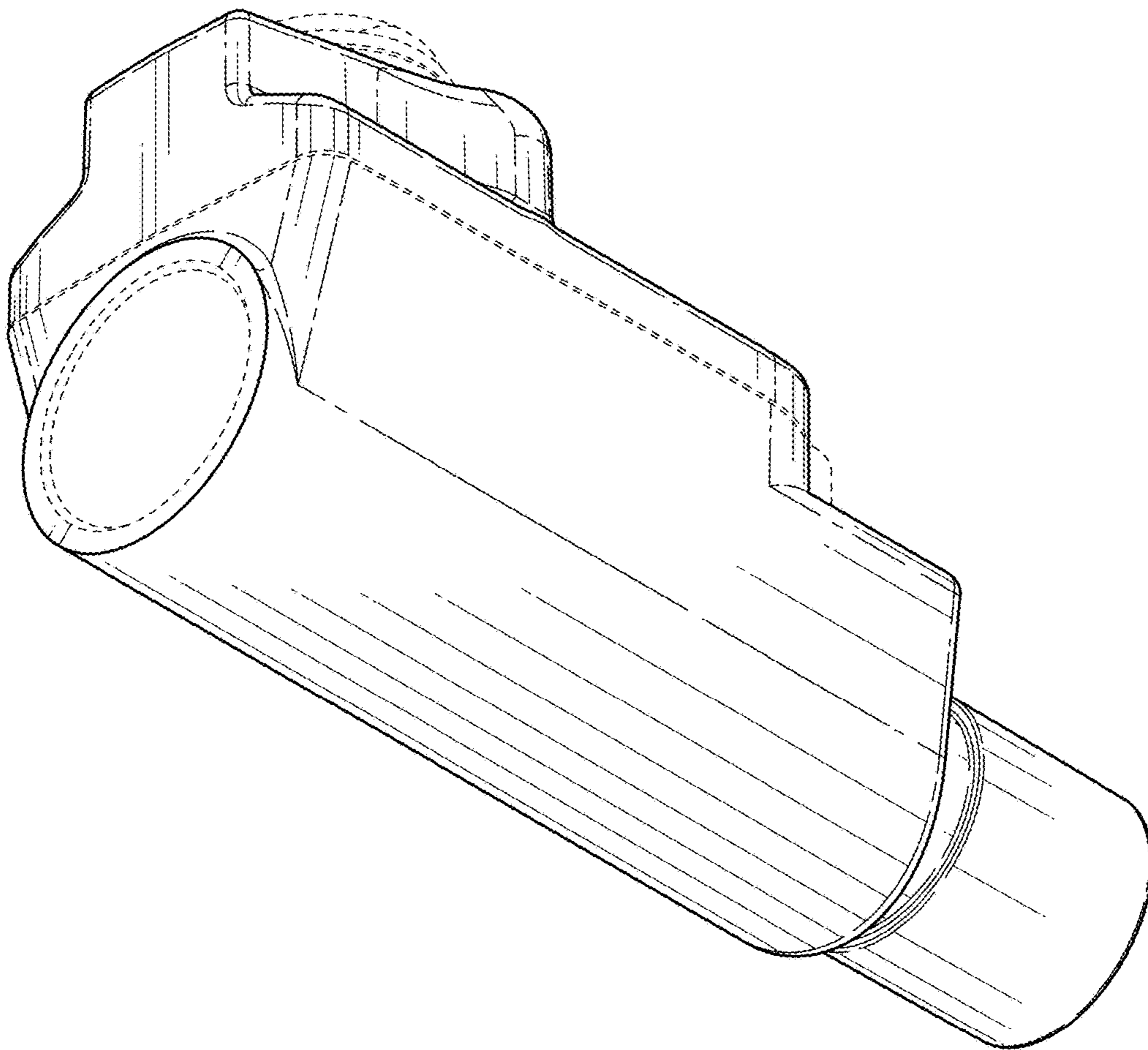


FIG. 7