



US00D797934S

(12) **United States Design Patent** (10) **Patent No.:** **US D797,934 S**
Pimenta et al. (45) **Date of Patent:** **** Sep. 19, 2017**

(54) **SPINAL FUSION IMPLANT**

- (71) Applicant: **NuVasive, Inc.**, San Diego, CA (US)
- (72) Inventors: **Luiz Pimenta**, Sao Paulo (BR); **Patrick Miles**, San Diego, CA (US); **Benjamin VerHage**, San Francisco, CA (US); **Nathan Lovell**, Oceanside, CA (US)
- (73) Assignee: **NuVasive, Inc.**, San Diego, CA (US)
- (**) Term: **15 Years**
- (21) Appl. No.: **29/561,726**
- (22) Filed: **Apr. 19, 2016**

Related U.S. Application Data

- (63) Continuation of application No. 29/479,802, filed on Jan. 20, 2014, now Pat. No. Des. 754,346, which is a
(Continued)

- (51) **LOC (10) Cl.** **24-02**
- (52) **U.S. Cl.**
USPC **D24/155**

- (58) **Field of Classification Search**
USPC D24/155
(Continued)

(56) **References Cited**

U.S. PATENT DOCUMENTS

- 3,486,505 A 12/1969 Morrison
- 3,518,993 A 7/1970 Blake

(Continued)

FOREIGN PATENT DOCUMENTS

- CA 2015507 1/1999
- EP 369603 5/1990

(Continued)

OTHER PUBLICATIONS

Alleyne, Cargill, H., et al., "Current and future approaches to lumbar disc surgery: A literature review", *Medscape Orthopedics & Sports Medicine*, 1, [www.medscape.com/Medscape/OrthoSportsMed/1997/v01.n11/.../mos3057], (1997).

(Continued)

Primary Examiner — Charles Hanson

(74) *Attorney, Agent, or Firm* — Jennifer Russell; NuVasive, Inc.

(57) **CLAIM**

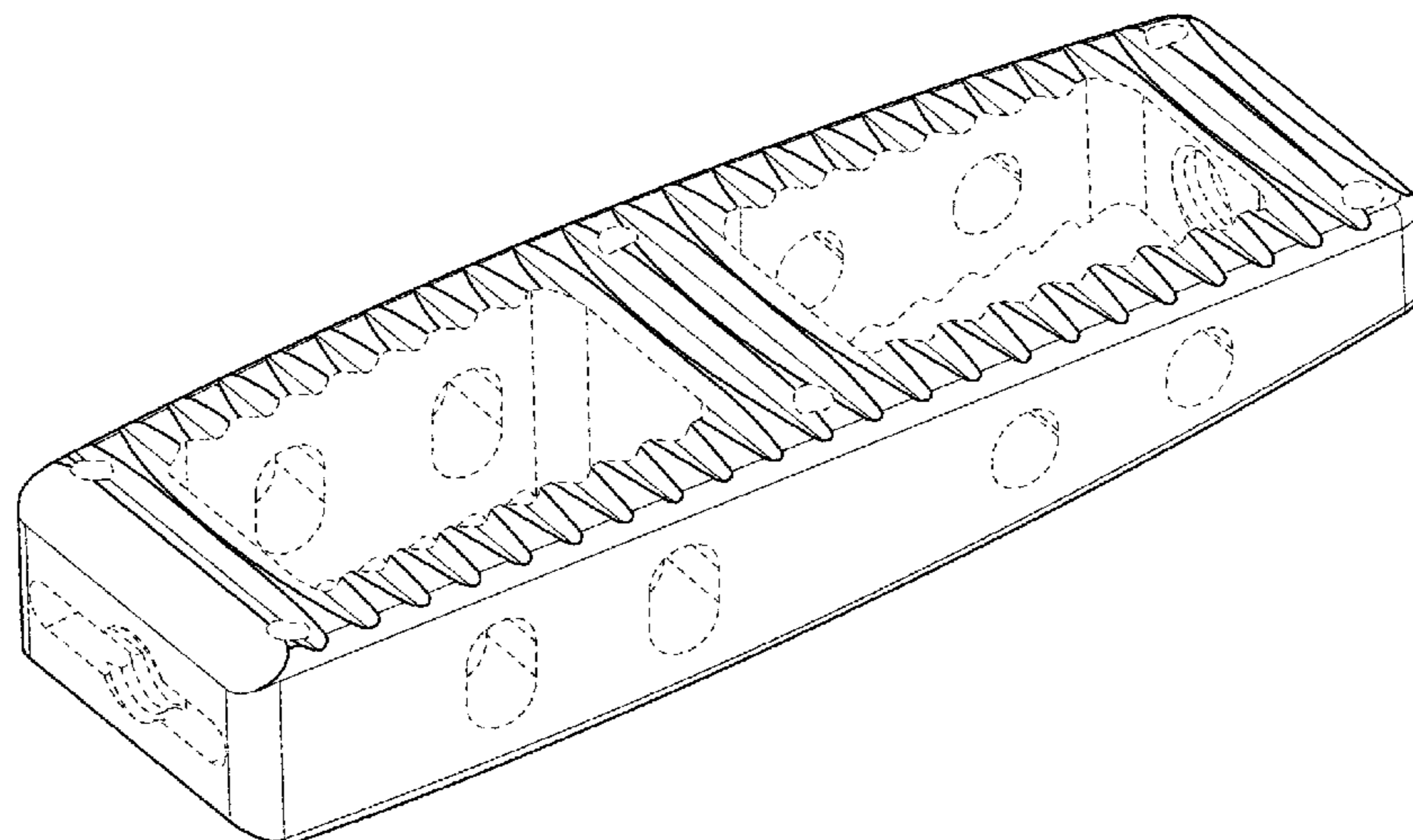
The ornamental design for a spinal fusion implant, substantially as shown and described.

DESCRIPTION

FIG. 1 is a perspective view of a spinal fusion implant showing our new design;
 FIG. 2 is a top view of the spinal fusion implant of FIG. 1;
 FIG. 3 is a first side view of the spinal fusion implant of FIG. 1;
 FIG. 4 is a first end view of the spinal fusion implant of FIG. 1;
 FIG. 5 is a second end view of the spinal fusion implant of FIG. 1;
 FIG. 6 is a perspective view of a spinal fusion implant showing an alternative embodiment of our new design;
 FIG. 7 is a first side view of the spinal fusion implant of FIG. 6;
 FIG. 8 is a first end view of the spinal fusion implant of FIG. 6; and,
 FIG. 9 is a second end view of the spinal fusion implant of FIG. 6.

The broken line showing is for the purpose of illustration and forms no part of the claimed design.

1 Claim, 5 Drawing Sheets



Related U.S. Application Data

continuation of application No. 12/396,458, filed on Mar. 2, 2009, now abandoned.

- (58) **Field of Classification Search**
 CPC A61F 2/4611; A61F 2/442; A61F 2/447;
 A61F 2220/0025; A61F 2310/00023;
 A61F 2310/00017; A61F 2002/4475;
 A61F 2002/30841; A61F 2002/2835;
 A61F 2002/30904; A61F 2002/30785;
 A61F 2002/443; A61F 2002/30578

See application file for complete search history.

- (56) **References Cited**

U.S. PATENT DOCUMENTS

3,604,487 A 9/1971 Gilbert
 3,745,995 A 7/1973 Kraus
 3,848,601 A 11/1974 Ma et al.
 3,867,728 A 2/1975 Stubstad et al.
 4,026,304 A 5/1977 Levy
 4,026,305 A 5/1977 Brownlee et al.
 4,349,921 A 9/1982 Kuntz
 4,454,374 A 6/1984 Pollack
 4,501,269 A 2/1985 Bagby
 4,545,374 A 10/1985 Jacobson
 4,646,738 A 3/1987 Trott
 4,657,550 A 4/1987 Daher
 4,743,256 A 5/1988 Brantigan
 4,781,591 A 11/1988 Allen
 4,834,757 A 5/1989 Brantigan
 4,877,020 A 10/1989 Vich
 4,878,915 A 11/1989 Brantigan
 4,932,975 A 6/1990 Main et al.
 4,950,296 A 8/1990 McIntyre
 4,961,740 A 10/1990 Ray et al.
 4,962,766 A 10/1990 Herzon
 5,015,247 A 5/1991 Michelson
 5,026,373 A 6/1991 Ray et al.
 5,047,055 A 9/1991 Bao et al.
 5,055,104 A 10/1991 Ray
 5,062,845 A 11/1991 Kuslich et al.
 5,071,437 A 12/1991 Steffee
 5,092,572 A 3/1992 Litwak et al.
 5,133,717 A 7/1992 Chopin
 5,133,755 A 7/1992 Brekke
 5,171,278 A 12/1992 Pisharodi
 5,192,327 A 3/1993 Brantigan
 5,217,497 A 6/1993 Mehedian
 5,263,953 A 11/1993 Bagby
 5,269,785 A 12/1993 Bonutti
 5,284,153 A 2/1994 Raymond et al.
 5,290,494 A 3/1994 Coombes et al.
 5,300,076 A 4/1994 Leriche
 5,304,210 A 4/1994 Crook
 5,306,307 A 4/1994 Senter et al.
 5,306,309 A 4/1994 Wagner et al.
 5,322,505 A 6/1994 Krause et al.
 5,334,205 A 8/1994 Cain
 5,336,223 A 8/1994 Rogers
 5,364,400 A 11/1994 Rego, Jr. et al.
 5,395,372 A 3/1995 Holt et al.
 5,397,363 A 3/1995 Gelbard
 5,397,364 A 3/1995 Kozak
 5,405,391 A 4/1995 Henderson et al.
 5,413,602 A 5/1995 Metz-Stavenhagen
 5,425,772 A 6/1995 Brantigan
 5,431,658 A 7/1995 Moskovich
 5,443,514 A 8/1995 Steffee
 5,443,515 A 8/1995 Cohen et al.
 5,445,639 A 8/1995 Kuslich et al.
 5,454,811 A 10/1995 Huebner
 5,458,638 A 10/1995 Kuslich et al.
 5,484,403 A 1/1996 Yoakum et al.
 5,484,437 A 1/1996 Michelson
 5,489,307 A 2/1996 Kuslich et al.

5,489,308 A 2/1996 Kuslich et al.
 5,514,180 A 5/1996 Heggeness et al.
 5,522,879 A 6/1996 Scopelianos
 5,522,899 A 6/1996 Michelson
 5,524,624 A 6/1996 Tepper et al.
 5,527,312 A 6/1996 Ray
 5,534,030 A 7/1996 Navarro et al.
 5,540,688 A 7/1996 Navas
 5,545,222 A 8/1996 Bonutti
 5,545,688 A 8/1996 Huang
 5,562,736 A 10/1996 Ray et al.
 5,565,005 A 10/1996 Erickson et al.
 5,571,190 A 11/1996 Ulrich
 5,571,192 A 11/1996 Schonhoffer
 5,593,409 A 1/1997 Michelson
 5,607,424 A 3/1997 Tropiano
 5,609,636 A 3/1997 Kohrs et al.
 5,611,800 A 3/1997 Davis et al.
 5,611,810 A 3/1997 Arnold et al.
 5,632,747 A 5/1997 Scarborough et al.
 5,645,596 A 7/1997 Kim et al.
 5,645,598 A 7/1997 Brosnahan et al.
 5,653,761 A 8/1997 Pisharodi
 5,653,762 A 8/1997 Pisharodi
 5,658,336 A 8/1997 Pisdharodi
 5,658,337 A 8/1997 Kohrs et al.
 5,662,710 A 9/1997 Bonutti
 5,665,122 A 9/1997 Kambin
 5,669,909 A 9/1997 Zdeblick et al.
 5,676,703 A 10/1997 Gelbard
 5,683,394 A 11/1997 Rinner
 5,683,400 A 11/1997 McGuire
 5,683,464 A 11/1997 Wagner et al.
 5,690,629 A 11/1997 Asher et al.
 5,700,264 A 12/1997 Zucherman et al.
 5,700,291 A 12/1997 Kuslich et al.
 5,700,292 A 12/1997 Margulies
 5,702,449 A 12/1997 McKay
 5,702,451 A 12/1997 Biedermann et al.
 5,702,453 A 12/1997 Rabbe et al.
 5,702,454 A 12/1997 Baumgartner
 5,702,455 A 12/1997 Saggar
 5,703,451 A 12/1997 Yamamichi et al.
 5,707,373 A 1/1998 Sevrain et al.
 5,711,957 A 1/1998 Patat et al.
 5,716,415 A 2/1998 Steffee
 5,720,748 A 2/1998 Kuslich et al.
 5,720,751 A 2/1998 Jackson
 5,728,159 A 3/1998 Stroever et al.
 5,741,253 A 4/1998 Michelson
 5,741,261 A 4/1998 Moskovitz et al.
 5,755,797 A 5/1998 Baumgartner
 5,766,252 A 6/1998 Henry et al.
 5,772,661 A 6/1998 Michelson
 5,775,331 A 7/1998 Raymond et al.
 5,775,797 A 7/1998 Henstra
 5,779,642 A 7/1998 Nightengale
 5,782,830 A 7/1998 Farris
 5,782,919 A 7/1998 Zdeblick et al.
 5,785,710 A 7/1998 Michelson
 5,797,909 A 8/1998 Michelson
 5,800,549 A 9/1998 Bao et al.
 5,800,550 A 9/1998 Sertich
 5,814,084 A 9/1998 Grivas et al.
 5,814,550 A 9/1998 Wolcott
 5,851,084 A 12/1998 Nishikawa
 5,851,208 A 12/1998 Trott
 5,860,973 A 1/1999 Michelson
 5,865,845 A 2/1999 Thalgott
 5,865,848 A 2/1999 Baker
 5,885,299 A 3/1999 Winslow et al.
 5,888,219 A 3/1999 Bonutti
 5,888,224 A 3/1999 Beckers et al.
 5,893,890 A 4/1999 Pisharodi
 5,904,719 A 5/1999 Errico et al.
 5,910,315 A 6/1999 Stevenson et al.
 5,942,698 A 8/1999 Stevens
 5,954,769 A 9/1999 Rosenlicht
 5,968,098 A 10/1999 Winslow

(56)

References Cited

U.S. PATENT DOCUMENTS

5,993,474 A	11/1999	Ouchi	6,986,788 B2	1/2006	Paul et al.
6,003,426 A	12/1999	Kobayashi et al.	6,989,031 B2	1/2006	Michelson
6,004,326 A	12/1999	Castro et al.	7,018,416 B2	3/2006	Hanson et al.
6,008,433 A	12/1999	Stone	D530,423 S	10/2006	Miles et al.
6,015,436 A	1/2000	Schunhuffer	7,125,425 B2	10/2006	Foley et al.
6,033,405 A	3/2000	Winslow et al.	7,192,447 B2	3/2007	Rhoda
6,033,438 A	3/2000	Bianchi et al.	7,244,258 B2	7/2007	Burkus et al.
6,039,761 A	3/2000	Li et al.	7,303,583 B1	12/2007	Schaer et al.
6,042,582 A	3/2000	Ray	7,326,251 B2	2/2008	McCombe et al.
6,045,580 A	4/2000	Scarborough et al.	D594,986 S *	6/2009	Miles D24/155
6,045,582 A	4/2000	Prybyla	D599,019 S	8/2009	Arambula et al.
6,048,342 A	4/2000	Zucherman et al.	D621,509 S *	8/2010	Lovell D24/155
6,059,829 A	5/2000	Schlapfer et al.	7,867,277 B1	1/2011	Tohmeh
6,063,088 A	5/2000	Winslow	7,918,891 B1	4/2011	Curran et al.
6,080,155 A	6/2000	Michelson	7,951,203 B2	5/2011	McCombe et al.
6,083,225 A	7/2000	Winslow et al.	8,021,430 B2	9/2011	Michelson
6,096,080 A	8/2000	Nicholson et al.	8,083,796 B1	12/2011	Ahlgren et al.
6,102,948 A	8/2000	Brosnahan, III	8,187,334 B2	5/2012	Curran et al.
6,120,503 A	9/2000	Michelson	8,246,686 B1	8/2012	Curran et al.
6,120,506 A	9/2000	Kohrs et al.	8,251,997 B2	8/2012	Michelson
6,132,472 A	10/2000	Bonutti	8,287,597 B1	10/2012	Pimenta et al.
6,143,033 A	11/2000	Paul et al.	D671,645 S *	11/2012	Curran D24/155
6,159,211 A	12/2000	Boriani et al.	D674,092 S *	1/2013	Lovell D24/155
6,159,215 A	12/2000	Urbahns et al.	D675,320 S *	1/2013	Oi D24/155
6,193,756 B1	2/2001	Studer et al.	8,361,156 B2	1/2013	Curran et al.
6,200,347 B1	3/2001	Anderson	8,425,612 B2	4/2013	Perez-Cruet et al.
6,224,607 B1	5/2001	Michelson	8,506,630 B2	8/2013	Wardlaw
6,224,631 B1	5/2001	Kohrs	8,506,636 B2	8/2013	Dye
6,241,769 B1	6/2001	Nicholson et al.	8,574,301 B2	11/2013	Curran et al.
6,241,770 B1	6/2001	Michelson	8,579,909 B2	11/2013	Burkus et al.
6,241,771 B1	6/2001	Gresser et al.	8,591,589 B2	11/2013	McCombe et al.
6,251,140 B1	6/2001	Marino et al.	D696,402 S *	12/2013	Oi D24/155
6,258,125 B1	7/2001	Paul et al.	8,608,804 B2	12/2013	Curran et al.
6,277,149 B1	8/2001	Boyle et al.	8,673,005 B1	3/2014	Arambula et al.
6,304,487 B1	10/2001	Pawletko et al.	8,685,105 B2	4/2014	Curran et al.
6,319,257 B1	11/2001	Carignan et al.	8,814,940 B2	8/2014	Curran et al.
6,371,989 B1	4/2002	Chauvin et al.	8,920,500 B1	12/2014	Pimenta et al.
6,383,221 B1	5/2002	Scarborough et al.	D721,808 S *	1/2015	Oi D24/155
6,409,766 B1	6/2002	Brett	D735,336 S	7/2015	Lovell
6,425,772 B1	7/2002	Bernier et al.	9,168,152 B2	10/2015	Ahlgren et al.
6,426,772 B1	7/2002	Yoneyama et al.	9,180,021 B2	11/2015	Curran et al.
6,432,140 B1	8/2002	Lin	9,186,261 B2	11/2015	Arambula et al.
6,440,142 B1	8/2002	Ralph et al.	9,192,482 B1	11/2015	Pimenta et al.
6,442,814 B1	9/2002	Landry et al.	D747,484 S	1/2016	Schiffman et al.
6,447,547 B1	9/2002	Michelson	D750,252 S	2/2016	Lovell
6,454,806 B1	9/2002	Cohen et al.	D754,346 S	4/2016	Miles et al.
6,468,311 B2	10/2002	Boyd et al.	2001/0016741 A1	8/2001	Burkus et al.
6,491,724 B1	12/2002	Ferree	2002/0019637 A1	2/2002	Frey et al.
6,527,773 B1	3/2003	Lin et al.	2002/0058950 A1	5/2002	Winterbottom et al.
D472,634 S	4/2003	Anderson	2002/0068936 A1	6/2002	Burkus et al.
D473,650 S	4/2003	Anderson	2002/0116008 A1	8/2002	Lin et al.
6,547,823 B2	4/2003	Scarborough et al.	2002/0165550 A1	11/2002	Frey et al.
6,562,072 B1	5/2003	Fuss et al.	2003/0023306 A1	1/2003	Liu et al.
6,595,998 B2	7/2003	Johnson et al.	2003/0028249 A1	2/2003	Baccelli et al.
6,599,294 B2	7/2003	Fuss et al.	2003/0100950 A1	5/2003	Moret
6,626,905 B1	9/2003	Schmiel et al.	2003/0105528 A1*	6/2003	Shimp A61F 2/28 623/17.16
6,635,086 B2	10/2003	Lin	2003/0109928 A1	6/2003	Pasquet et al.
6,648,895 B2	11/2003	Burkus et al.	2003/0139812 A1	7/2003	Garcia et al.
6,672,019 B1	1/2004	Wenz	2003/0139813 A1	7/2003	Messerli et al.
6,676,703 B2	1/2004	Biscup	2003/0149438 A1	8/2003	Nichols et al.
6,706,067 B2	3/2004	Shimp et al.	2004/0024408 A1	2/2004	Burkus et al.
6,723,097 B2	4/2004	Fraser et al.	2004/0153155 A1	8/2004	Chung et al.
6,743,255 B2	6/2004	Ferree	2004/0176775 A1	9/2004	Burkus et al.
6,746,484 B1	6/2004	Liu et al.	2004/0199251 A1	10/2004	McCombe et al.
6,755,841 B2	6/2004	Fraser et al.	2005/0059971 A1	3/2005	Michelson
6,761,739 B2	7/2004	Shepard	2005/0187625 A1	8/2005	Wolek et al.
6,824,564 B2	11/2004	Crozet	2005/0197702 A1	9/2005	Coppes et al.
6,830,570 B1	12/2004	Frey et al.	2005/0203538 A1	9/2005	Lo et al.
D503,801 S	4/2005	Jackson	2006/0074488 A1	4/2006	Abdou
6,923,814 B1	8/2005	Hildebrand et al.	2006/0142864 A1	6/2006	Cauthen
6,942,698 B1	9/2005	Jackson	2007/0179612 A1	8/2007	Johnson et al.
6,964,687 B1	11/2005	Bernard et al.	2007/0191945 A1	8/2007	Yu et al.
6,974,480 B2	12/2005	Messerli et al.	2007/0276499 A1	11/2007	Paul et al.
6,979,353 B2	12/2005	Bresina	2007/0288007 A1	12/2007	Burkus et al.
6,984,245 B2	1/2006	McGahan et al.	2008/0015701 A1	1/2008	Garcia et al.
			2008/0058838 A1	3/2008	Steinberg
			2008/0065219 A1	3/2008	Dye
			2008/0119937 A1	5/2008	McCombe et al.

(56)

References Cited

U.S. PATENT DOCUMENTS

2009/0222099	A1	9/2009	Liu et al.
2010/0106250	A1	4/2010	Abdou
2011/0112642	A1	5/2011	Tohmeh
2011/0196496	A1	8/2011	McCombe et al.
2012/0078374	A1	3/2012	Villiers et al.
2012/0158141	A1	6/2012	Johnson et al.
2012/0179261	A1	7/2012	Soo
2012/0209388	A1	8/2012	Curran et al.
2012/0215317	A1	8/2012	Curran et al.
2013/0006363	A1	1/2013	Ullrich et al.
2013/0138216	A1	5/2013	Curran et al.
2013/0144390	A1	6/2013	Curran et al.
2013/0245771	A1	9/2013	Michelson

FOREIGN PATENT DOCUMENTS

EP	517030	5/1992
EP	667127	8/1995
EP	706876	4/1996
EP	716840	6/1996
EP	737448	10/1996
EP	796593	9/1997
EP	880938	2/1998
EP	809974	4/1998
EP	809975	4/1998
EP	811356	4/1998
WO	90/00037	1/1990
WO	91/06261	5/1991
WO	92/14423	9/1992
WO	93/01771	2/1993
WO	94/04100	3/1994
WO	94/10928	5/1994
WO	95/01810	1/1995
WO	95/08306	3/1995
WO	96/08205	3/1996
WO	96/17564	3/1996
WO	96/41582	12/1996
WO	97/20513	6/1997
WO	97/33525	9/1997
WO	97/37620	10/1997
WO	98/09586	3/1998
WO	98/14142	4/1998
WO	98/17208	4/1998
WO	98/25539	6/1998
WO	99/08627	2/1999
WO	99/38461	8/1999
WO	00/44288	8/2000
WO	00/45712	8/2000
WO	00/45713	8/2000
WO	01/41681	6/2001
WO	01/49333	7/2001

OTHER PUBLICATIONS

Baulot, et al., "Complementary anterior spondylodesis by thoracoscopy. Technical note regarding an observation", *Lyon Surg.*, 90(5):347-351 (1994).

Benini, et al., "Undercutting decompression and posterior fusion with translaminar facet screw fixation in degenerative lumbar spinal stenosis: Technique and results", *Neuro-Orthopedics*, 17/18, 159-172 (1995).

Berry, et al., "A morphometric study of human lumbar and selected thoracic vertebrae, study of selected vertebrae" *Spine* 12(4):362-367 (1996).

CoRoent® XL & XLR Marketing Brochure (9004225 B.0), *NuVasive, Inc.*, 2006, 2 pages.

CoRoent® XL & XLR Marketing Brochure (9004225 C.0), *NuVasive, Inc.*, 2007, 2 pages.

CoRoent® XL Marketing Brochure (9500039 A.0), *NuVasive, Inc.*, 2006, 8 pages.

CoRoent™ Marketing Brochure (9004001 A.0), *NuVasive, Inc.*, 2004, 2 pages.

CoRoent™ Marketing Brochure (9004001 C.0), *NuVasive, Inc.*, 2005, 2 pages.

CoRoent™ XL & XLR Marketing Brochure (9004225 A.0), *NuVasive, Inc.*, 2005, 2 pages.

Counterclaim Defendants' Corrected Amended Invalidity Contentions re U.S. Pat. Nos. 8,000,782; 8,005,535; 8,016,767; 8,192,356; 8,187,334; 8,361,156, D. 652,922; D. 666,294 re Case No. 3:12-cv-02738-CAB(MDD), dated Aug. 19, 2013, 30 pages.

Crock, H. V., "A Short Practice of Spinal Surgery", Second, revised edition, published by Springer-Verlag/Wein, New York (1993).

Crock, H. V., "Anterior Lumbar Interbody Fusion" *Clinical Orthopaedics & Related Research*, Marshall R. Urist, Editor-in-Chief, J. B. Lippincott Company (1982).

Declaration of Mary Phelps Regarding Telamon Verte-Stack PEEK Vertebral Body Spacer, dated Aug. 13, 2013, 9 pages.

Declaration of Richard A. Hynes, M.D. Regarding U.S. Pat. No. 8,187,334, dated Aug. 14, 2013, 74 pages.

Declaration of Richard A. Hynes, M.D. Regarding U.S. Pat. No. 8,361,156, dated Aug. 14, 2013, 74 pages.

Declaration of Steven D. DeRidder regarding U.S. Pat. Application Publication No. 2002/0165550, Jul. 30, 2013, 5 pages.

Edeland, H. G. "Some additional suggestions for an intervertebral disc prosthesis", *Journal of Biomedical Engineering*, 7:57-62 (1985).

Kambin, et al., "History and current status of percutaneous arthroscopic disc surgery", *Spine*, 21(24S):57S-61S (1996).

Kemp, H. B. S., "Anterior fusion of the spine for infective lesions in adults", *Journal of Bone & Joint Surgery*, 55B(4):715-734 (1973).

Medtronic Sofamor Danek USA, Inc. "Boomerang I Verte-Stack PEEK Vertebral Body Brochure," 2003, 6 pages.

Medtronic Sofamor Danek USA, Inc. "Boomerang I Verte-Stack PEEK Vertebral Body Spacer Implant," Apr. 26, 2001, 8 pages.

Medtronic Sofamor Danek USA, Inc. "Boomerang II Verte-Stack PEEK Vertebral Body Spacer Brochure," 2004, 4 pages.

Medtronic Sofamor Danek USA, Inc. "Boomerang II Verte-Stack PEEK Vertebral Body Spacer Implant," Dec. 17, 2003, 9 pages.

Medtronic Sofamor Danek USA, Inc. "Boomerang Prototype Verte-Stack PEEK Vertebral Body Spacer Implant," May 7, 2000, 8 pages.

Medtronic Sofamor Danek USA, Inc. "PCR PEEK Cement Restrictor Brochure," 2001, 2 pages.

Medtronic Sofamor Danek USA, Inc. "PCR PEEK Cement Restrictor Implant," Oct. 2, 2001, 17 pages.

Medtronic Sofamor Danek USA, Inc. "Telamon Verte-Stack PEEK Vertebral Body Spacer Brochure I," 2003, 2 pages.

Medtronic Sofamor Danek USA, Inc. "Telamon Verte-Stack PEEK Vertebral Body Spacer Brochure II," 2003, 10 pages.

Medtronic Sofamor Danek USA, Inc. "Telamon Verte-Stack PEEK Vertebral Body Spacer Implant," Oct. 2, 2001, 6 pages.

Nuvasive, Inc., Corrected Final Invalidity Contentions Regarding U.S. Pat. No. 5,860,973, U.S. Pat. No. 6,592,586 and U.S. Pat. No. 6,945,933 filed in the United States District Court, Southern District of California on Jun. 14, 2010 (and 23 appendices).

Petition for Inter Partes Review of U.S. Pat. No. 8,187,334 Pursuant to 35 U.S.C. 311-319, 37 C.F.R. 42, dated Aug. 14, 2013, 65 pages.

Petition for Inter Partes Review of U.S. Pat. No. 8,361,156 Pursuant to 35 U.S.C. 311-319, 37 C.F.R. 42, dated Aug. 14, 2013, 64 pages.

Second Petition for Inter Partes Review of U.S. Pat. No. 8,187,334 Pursuant to 35 U.S.C. 311-319, 37 C.F.R. 42, dated Aug. 14, 2013, 64 pages.

Second Petition for Inter Partes Review of U.S. Pat. No. 8,361,156 Pursuant to 35 U.S.C. 311-319, 37 C.F.R. 42, dated Aug. 14, 2013, 64 pages.

Stein, et al., "Percutaneous facet joint fusion: Preliminary experience", *Journal of Vascular and Interventional Radiology*, 4:69-74 (1993).

Synthes Vertebral Spacer-PR Brochure, *Synthes Spine*, 2002, 2 pages.

Synthesis Spine Vertebral Spacer-PR Implant, Jun. 2002, 2 pages.

Synthesis Spine Vertebral Spacer-TR Implant, Aug. 2002, 2 pages.

Telamon Implantation Guide, *Medtronic Sofamor Danek*, 2003, 10 pages.

(56)

References Cited

OTHER PUBLICATIONS

Telamon Verte-Stack PEEK Vertebral Body Spacer Brochure, *Medtronic Sofamor Danek*, 2003, 2 pages.

Vamvanij, et al., "Surgical treatment of internal disc disruption: An outcome study of four fusion techniques", *Journal of Spinal Disorders*, 11(5):375-382 (1998).

Zhou et al., Geometrical dimensions of the lower lumbar vertebrae—analysis of data from digitised CT images, *Eur Spine J*, 2000, 9: 242-248.

Patent Owner NuVasive Inc.'s Preliminary Response in IPR2013-00504, dated Nov. 25, 2013, 40 pages.

Decision denying Institution of *Inter Partes* review in IPR2013-00504, dated Feb. 13, 2014, 9 pages.

Patent Owner NuVasive Inc.'s Preliminary Response in IPR2013-00506, dated Nov. 25, 2013, 38 pages.

Decision denying Institution of *Inter Partes* review in IPR2013-00506, dated Feb. 13, 2014, 21 pages.

NuVasive Inc.'s Patent Owner Response in IPR2013-00506, dated May 21, 2014, 66 pages.

Declaration of Dr. Hansen A. Yuan from IPR2013-00506, dated May 21, 2014, 63 pages.

Synthes SVS-PR Guide, *Synthes Spine*, 2002, 8 pages.

Medtronic Sofamor Danek Boomerang brochure, *Medtronic Sofamor Danek*, 2003, 6 pages.

Synthes Vertebral Spacer—AR brochure, *Synthes Spine*, 2006, 4 pages.

Saber Surgical Technique /Product Catalogue, *DePuy Spine*, 2004, 12 pages.

Petition for Inter Partes Review of U.S. Pat. No. 8,361,156 Pursuant to 35 U.S.C. 311-319, 37 C.F.R. 42, dated Mar. 5, 2014, 64 pages. Patent Owner NuVasive Inc.'s Preliminary Response in IPR2013-00507, dated Nov. 25, 2013, 29 pages.

Decision denying Institution of *Inter Partes* review in IPR2013-00507, dated Feb. 13, 2014, 15 pages.

NuVasive Inc.'s Patent Owner Response in IPR2013-00507, dated May 21, 2014, 50 pages.

Declaration of Dr. Hansen A. Yuan from IPR2013-00507, dated May 21, 2014, 85 pages.

Patent Owner NuVasive Inc.'s Preliminary Response in IPR2013-00508, dated Nov. 25, 2013, 38 pages.

Decision denying Institution of *Inter Partes* review in IPR2013-00508, dated Feb. 13, 2014, 14 pages.

NuVasive Inc.'s Patent Owner Response in IPR2013-00508, dated May 21, 2014, 66 pages.

Declaration of Dr. Hansen A. Yuan from IPR2013-00508, dated May 21, 2014, 85 pages.

Final Written Decision in *Medtronic, Inc. v. NuVasive, Inc.*, Case IPR2013-00507, dated Feb. 11, 2015, 14 pages.

Final Written Decision in *Medtronic, Inc. v. NuVasive, Inc.*, Case IPR2013-00508, dated Feb. 11, 2015, 19 pages.

* cited by examiner

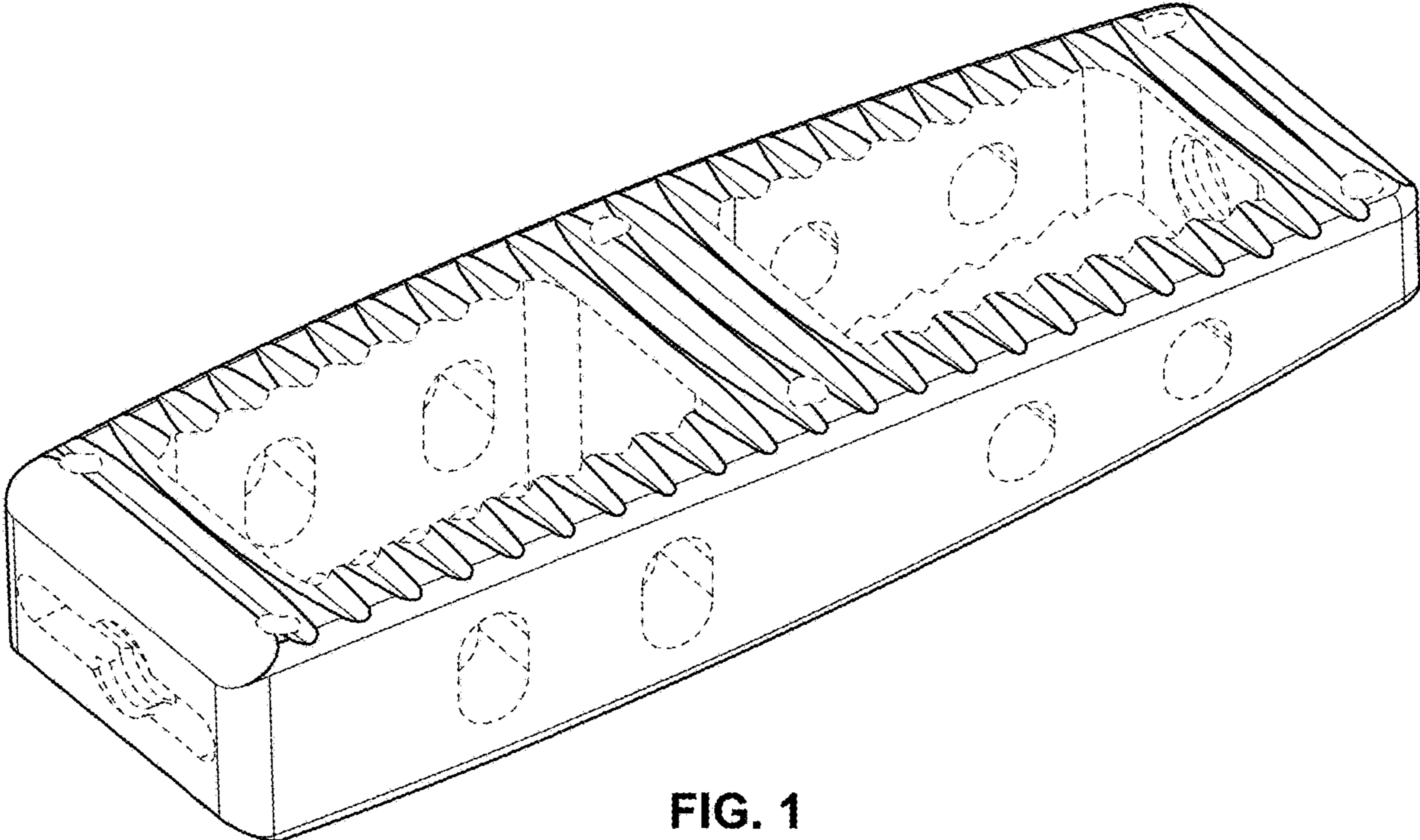


FIG. 1

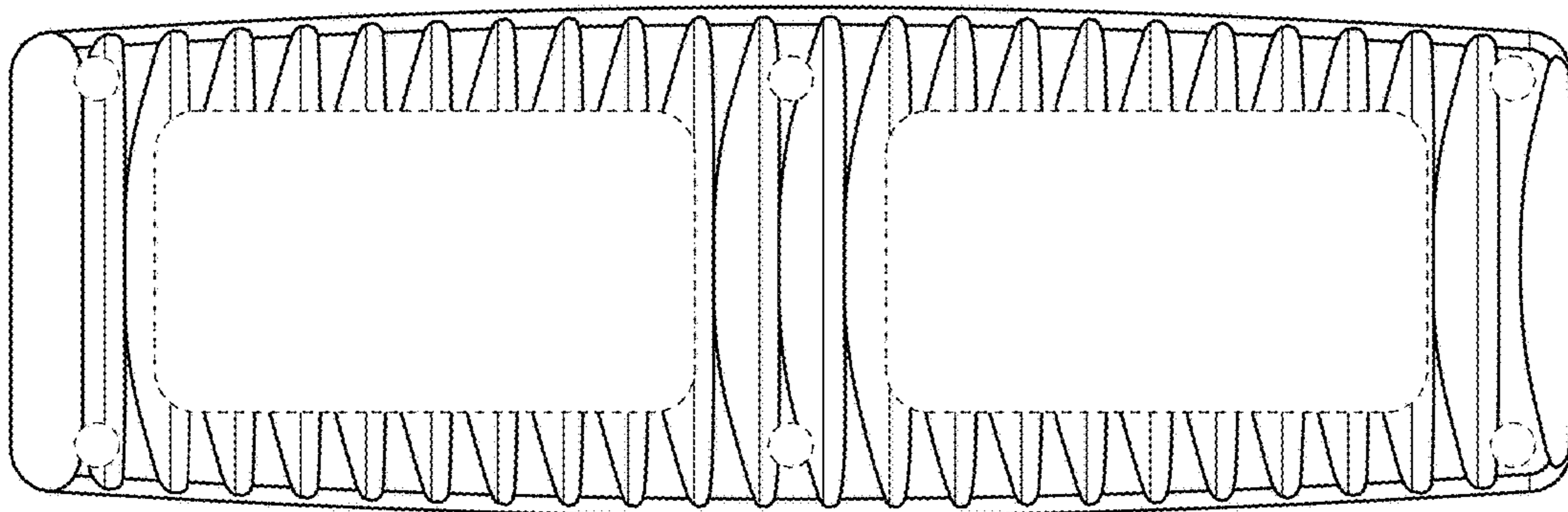


FIG. 2

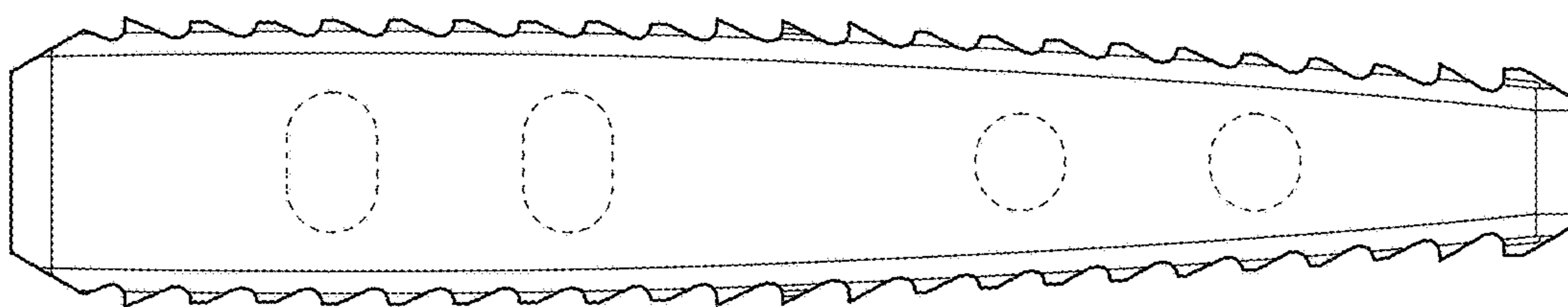


FIG. 3

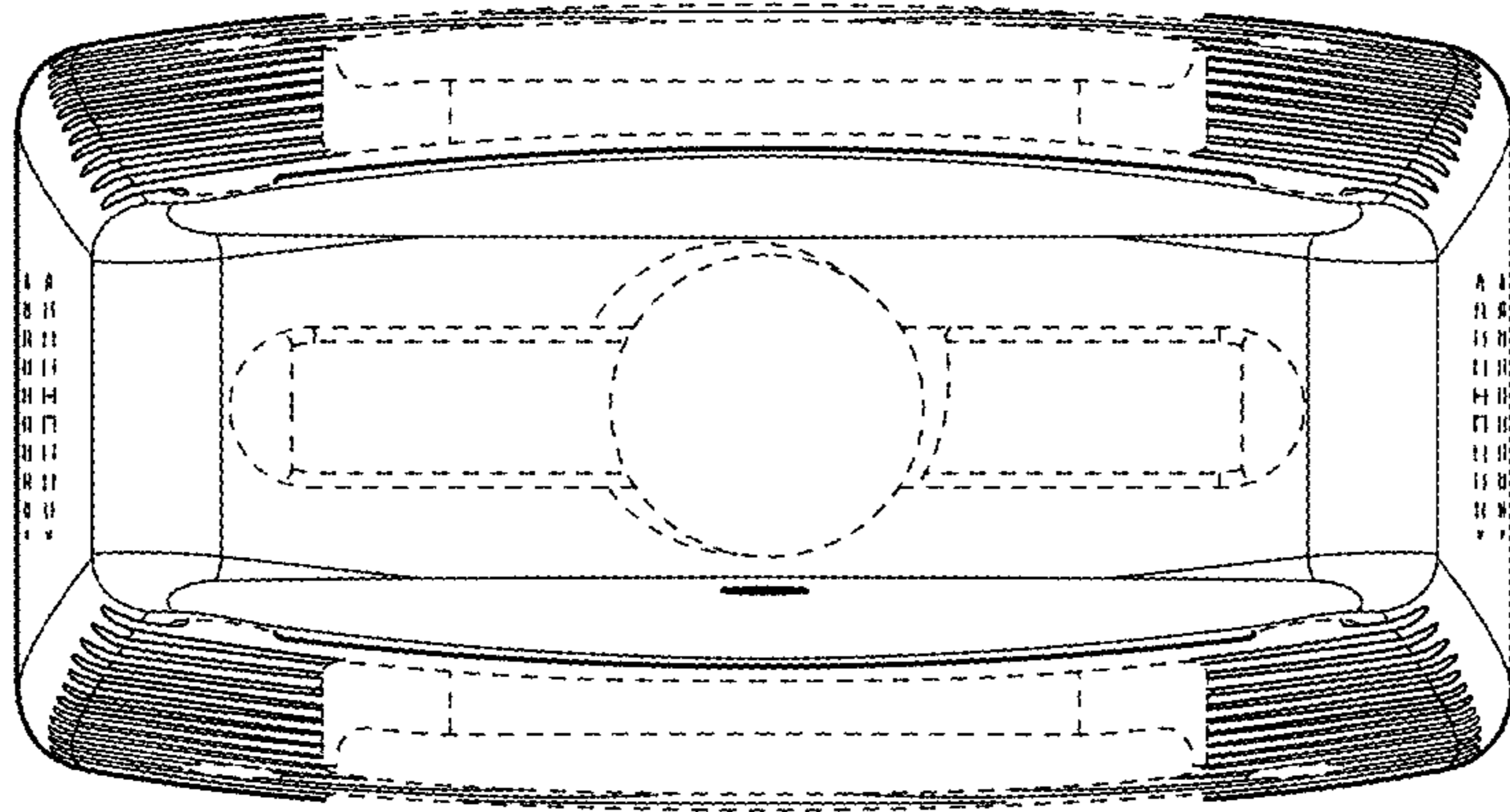


FIG. 4

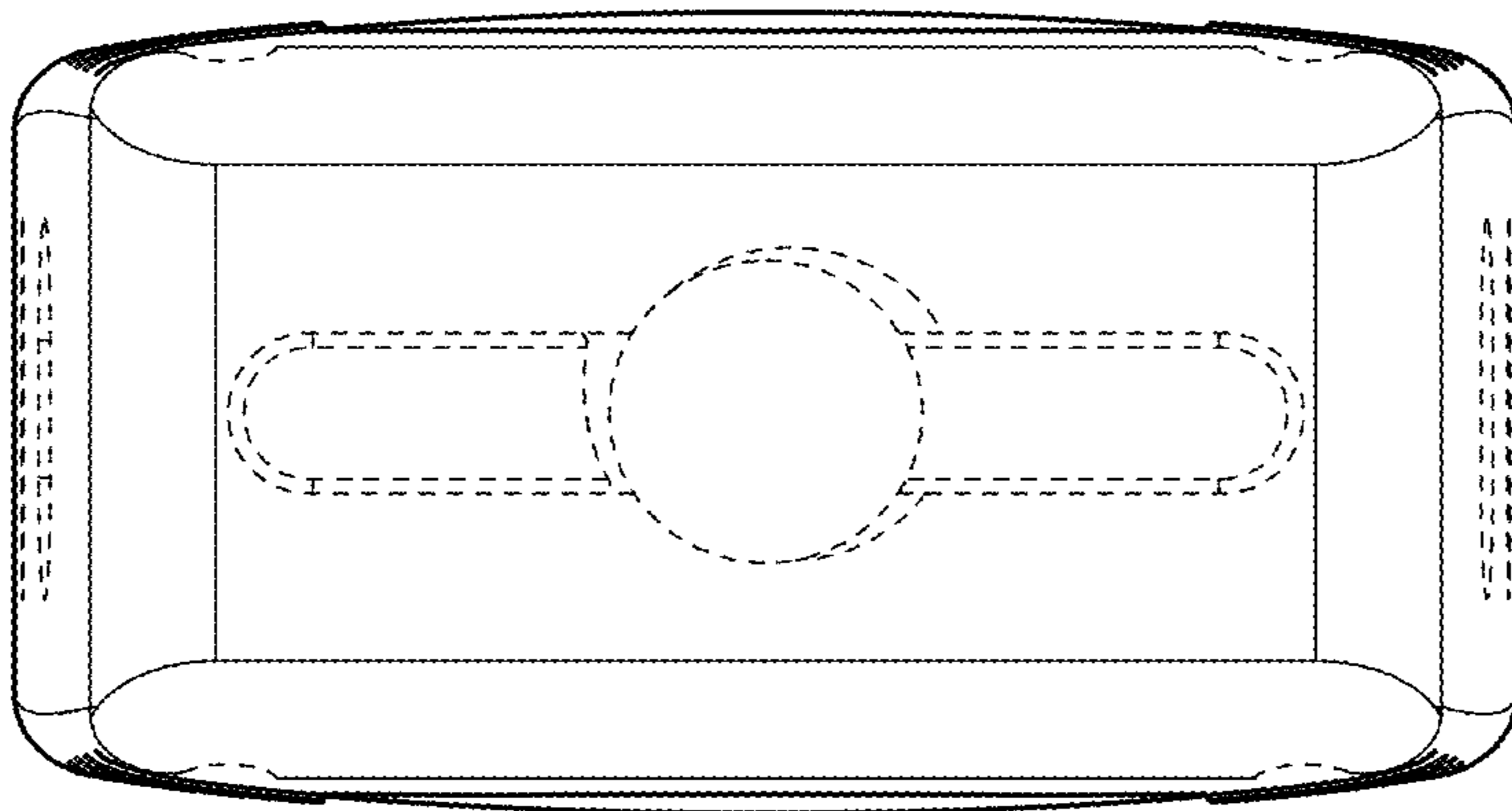


FIG. 5

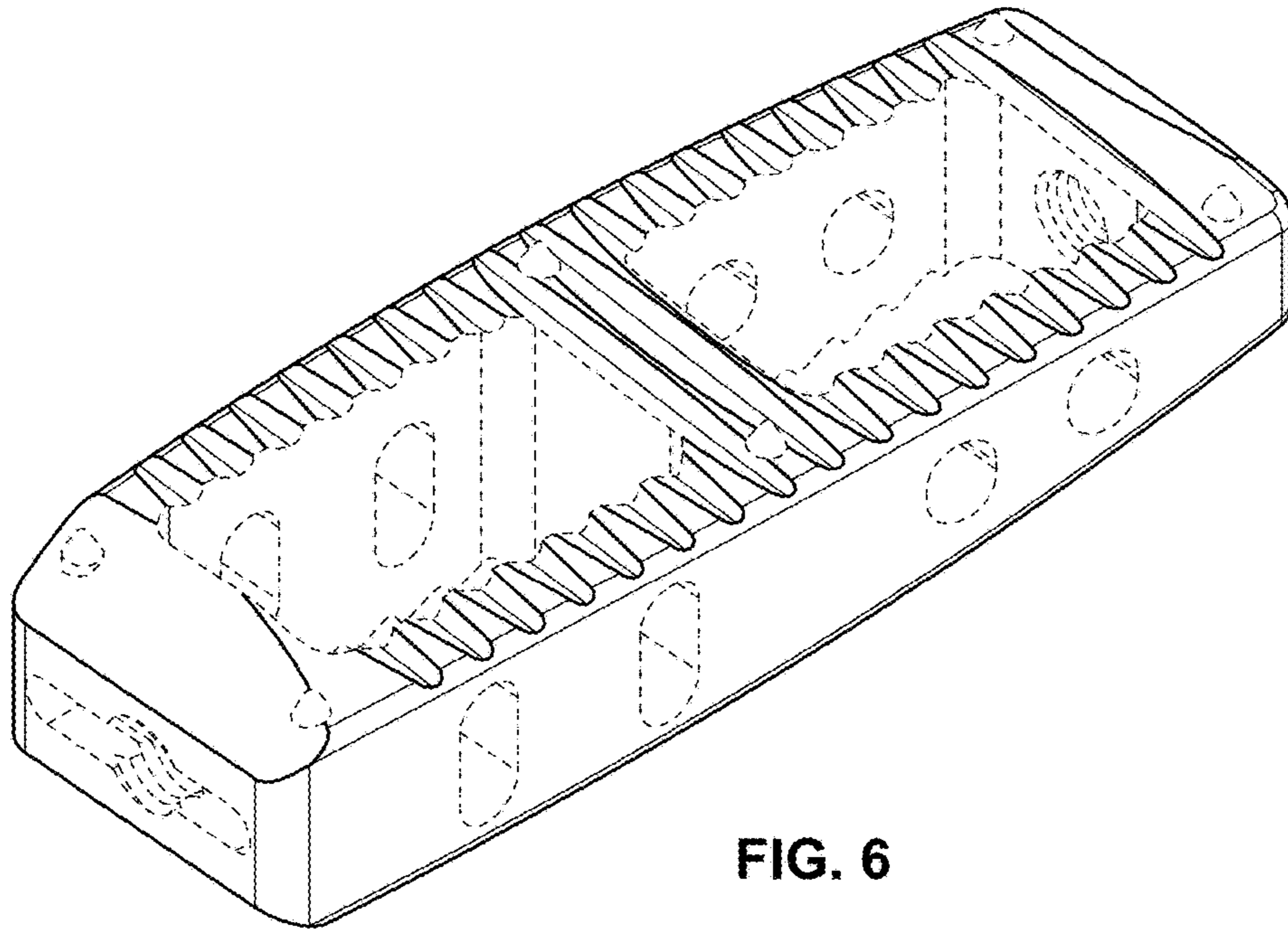


FIG. 6

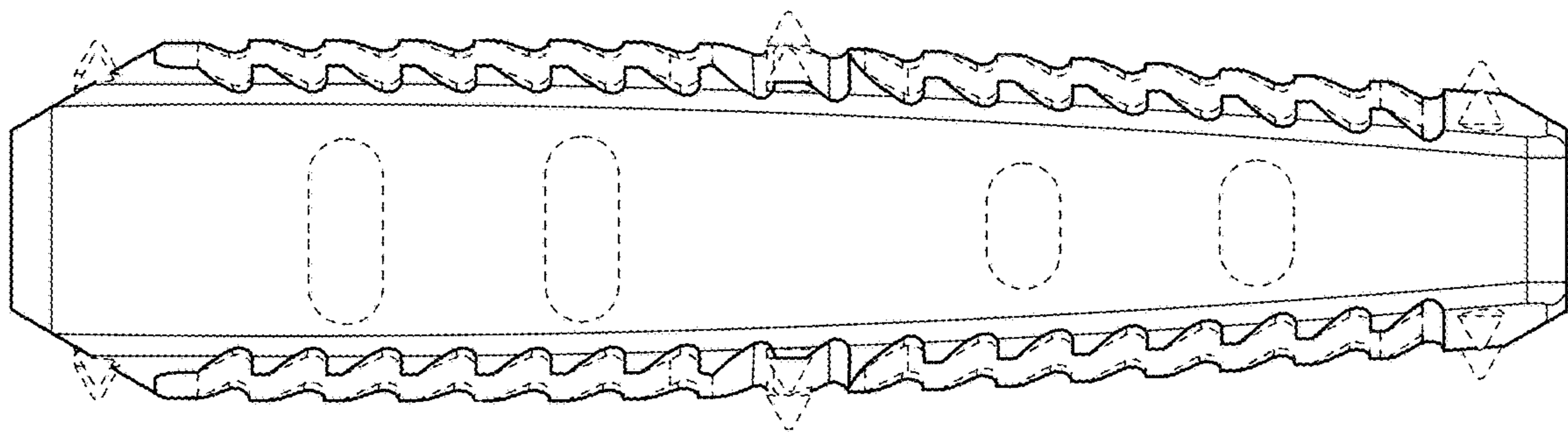


FIG. 7

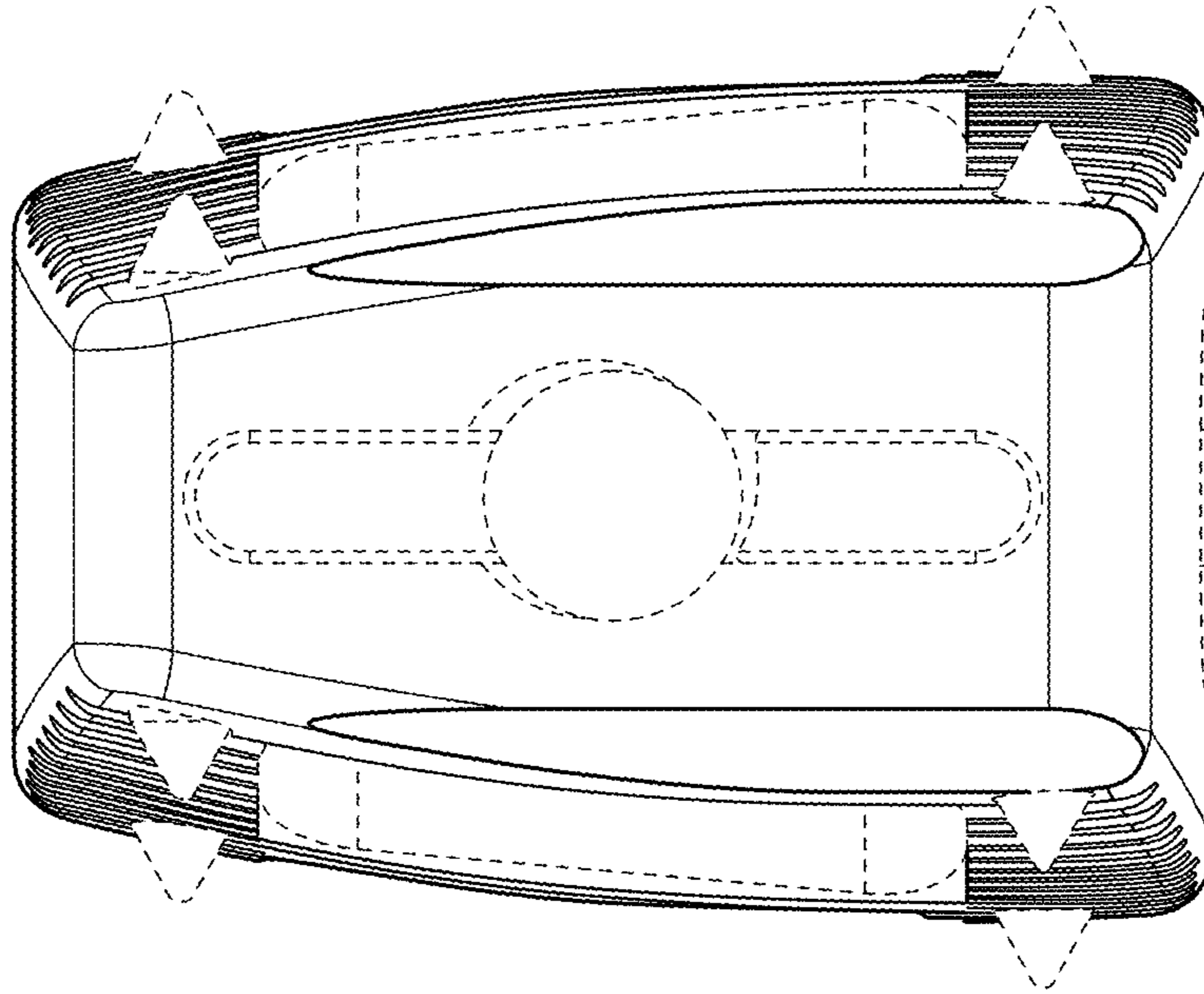


FIG. 8

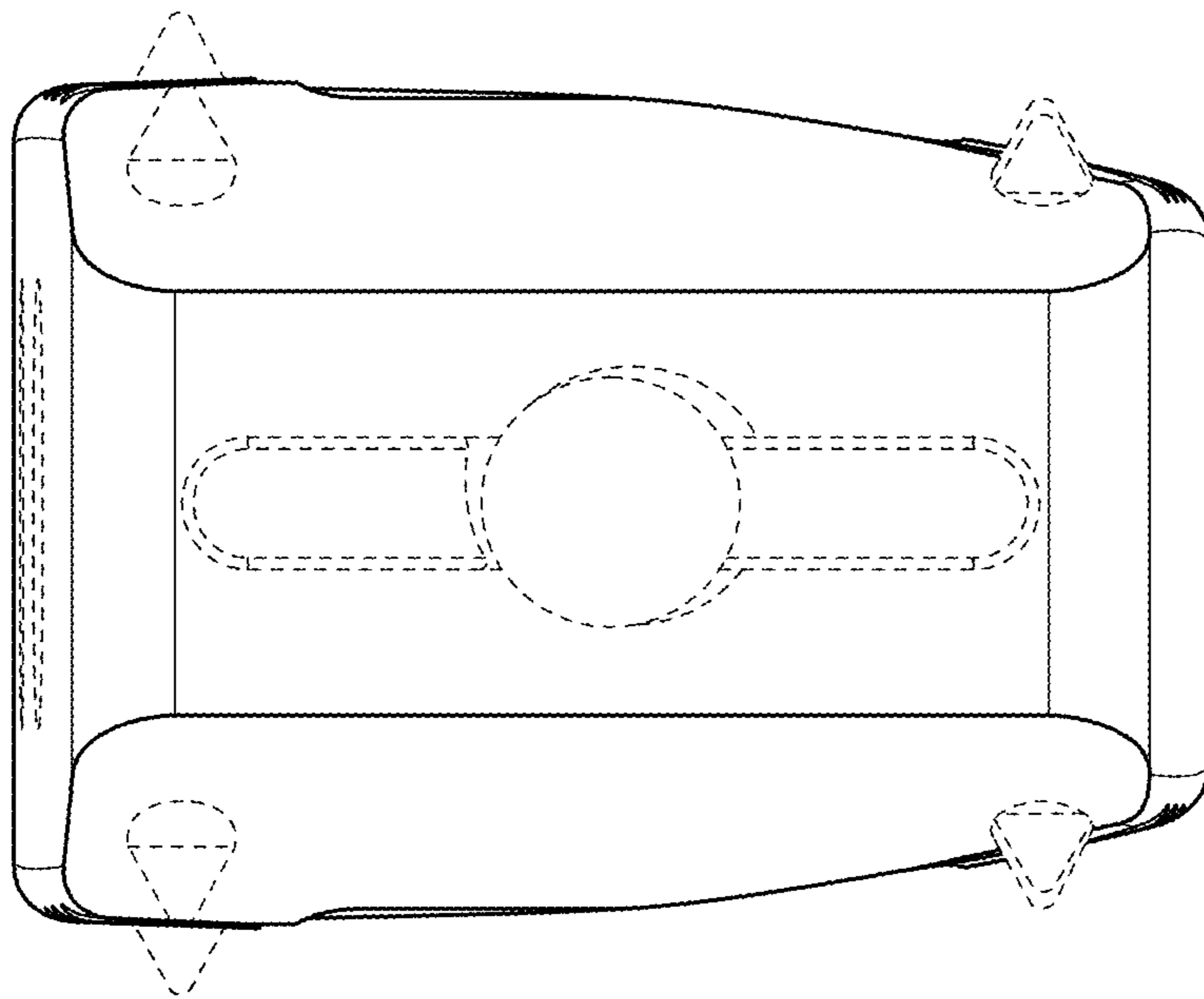


FIG. 9