



US00D797932S

(12) **United States Design Patent**
Lee

(10) **Patent No.:** **US D797,932 S**
(45) **Date of Patent:** **** Sep. 19, 2017**

(54) **CONTROLLER**

(71) Applicant: **BOMTECH ELECTRONICS CO., LTD.**, Seoul (KR)

(72) Inventor: **Jong-dae Lee**, Seoul (KR)

(73) Assignee: **BOMTECH ELECTRONICS CO., LTD.**, Seoul (KR)

(**) Term: **15 Years**

(21) Appl. No.: **29/541,490**

(22) Filed: **Oct. 5, 2015**

(30) **Foreign Application Priority Data**

Apr. 8, 2015 (KR) 30-2015-0017762

(51) **LOC (10) Cl.** **24-02**

(52) **U.S. Cl.**
USPC **D24/144**

(58) **Field of Classification Search**

USPC D24/144, 146, 133, 186; D14/454, 451; D13/162, 199

CPC A61M 37/0076; A61M 37/0084; F24F 11/00; F24F 11/0086; F24F 2011/0091

See application file for complete search history.

(56) **References Cited**

U.S. PATENT DOCUMENTS

D346,025 S *	4/1994	Chou	D24/144
D359,353 S *	6/1995	Butter	D24/144
7,695,486 B2 *	4/2010	Dixon	A61M 37/0076
				606/186
D663,435 S *	7/2012	Eikhoff	D24/186
8,228,666 B2 *	7/2012	Rickard	A61M 37/0076
				361/679.01
8,663,162 B2 *	3/2014	Bunting	A61M 37/0076
				604/116
D759,253 S *	6/2016	Bar-Or	D24/186

D762,863 S *	8/2016	Kim	D24/186
9,427,561 B2 *	8/2016	Kluge	A61M 37/0076
9,433,767 B2 *	9/2016	Colton	A61M 37/0076

(Continued)

FOREIGN PATENT DOCUMENTS

KR	300852996.0000	*	8/2015
KR	300881122.0000	*	2/2016

OTHER PUBLICATIONS

Brand New Tatoo Kit Intelligent Digital Permanent Makeup Control Brow Eye Lip Medica Set. Retrieved on May 3, 2017. Retrieved from the Internet: <URL: www.google.com/images>.*

Primary Examiner — Wan Laymon

(74) *Attorney, Agent, or Firm* — Ohlandt, Greeley, Ruggiero & Perle, LLP

(57) **CLAIM**

The ornamental design for a controller, as shown and described.

DESCRIPTION

FIG. 1 is a top perspective view of the controller according to the present disclosure;

FIG. 2 is a front view of the controller of FIG. 1;

FIG. 3 is a rear view of the controller of FIG. 1;

FIG. 4 is a side view of the controller of FIG. 1;

FIG. 5 is an opposite side view of the controller of FIG. 1;

FIG. 6 is a top view of the controller of FIG. 1;

FIG. 7 is a bottom view of the controller of FIG. 1;

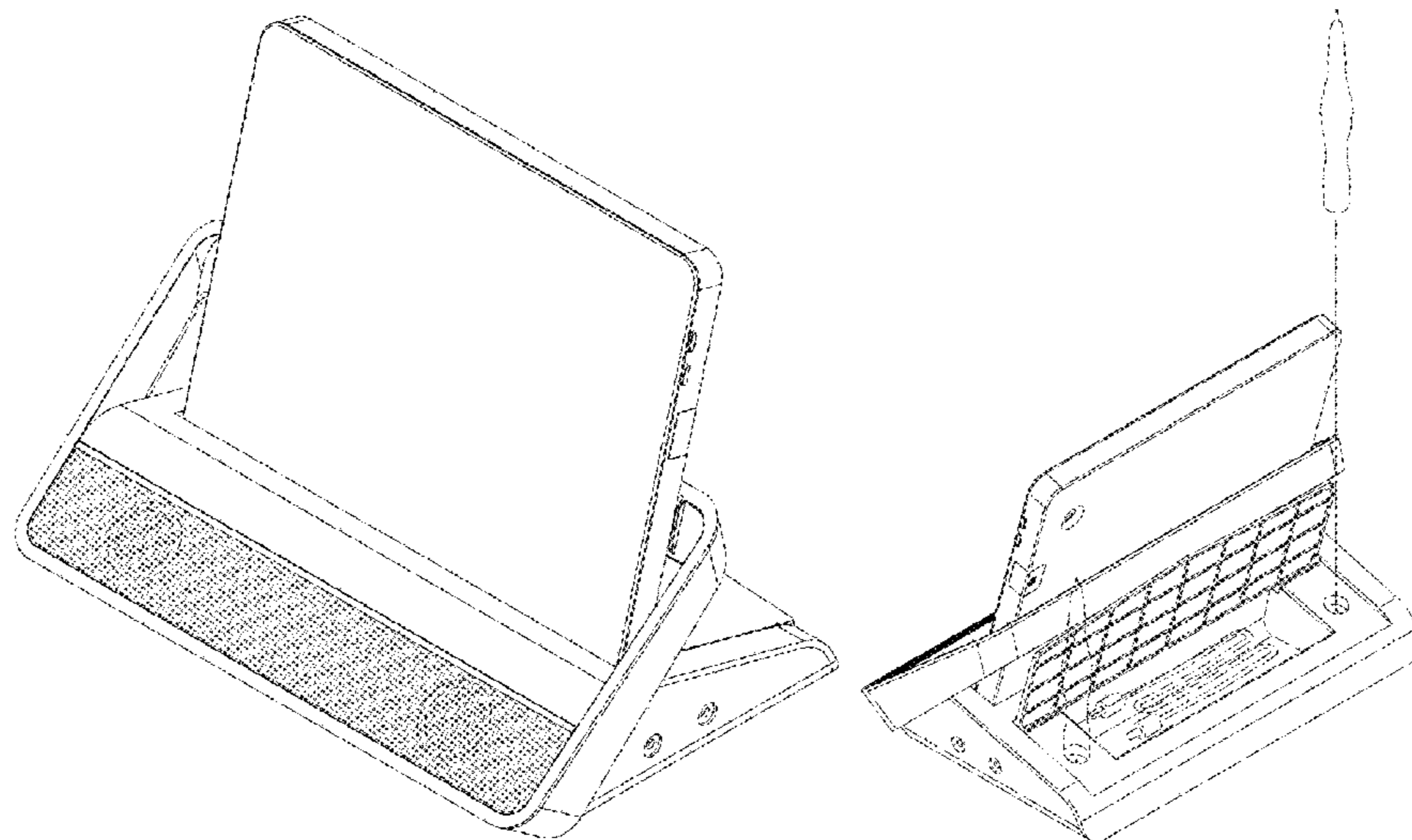
FIG. 8 is an exploded perspective view of the controller of FIG. 1, illustrated in a separated state;

FIG. 9 is a perspective view of the controller of FIG. 1, illustrated in a use state; and,

FIG. 10 is a perspective view of the controller of FIG. 1, illustrated in a storage state.

The broken lines in the drawings illustrating environmental structure or boundaries that form no part of the claimed design.

1 Claim, 10 Drawing Sheets



(56)

References Cited

U.S. PATENT DOCUMENTS

2009/0125050 A1* 5/2009 Dixon A61M 37/0076
606/186
2017/0021154 A1* 1/2017 Johansson A61M 37/0076

* cited by examiner

FIG. 1

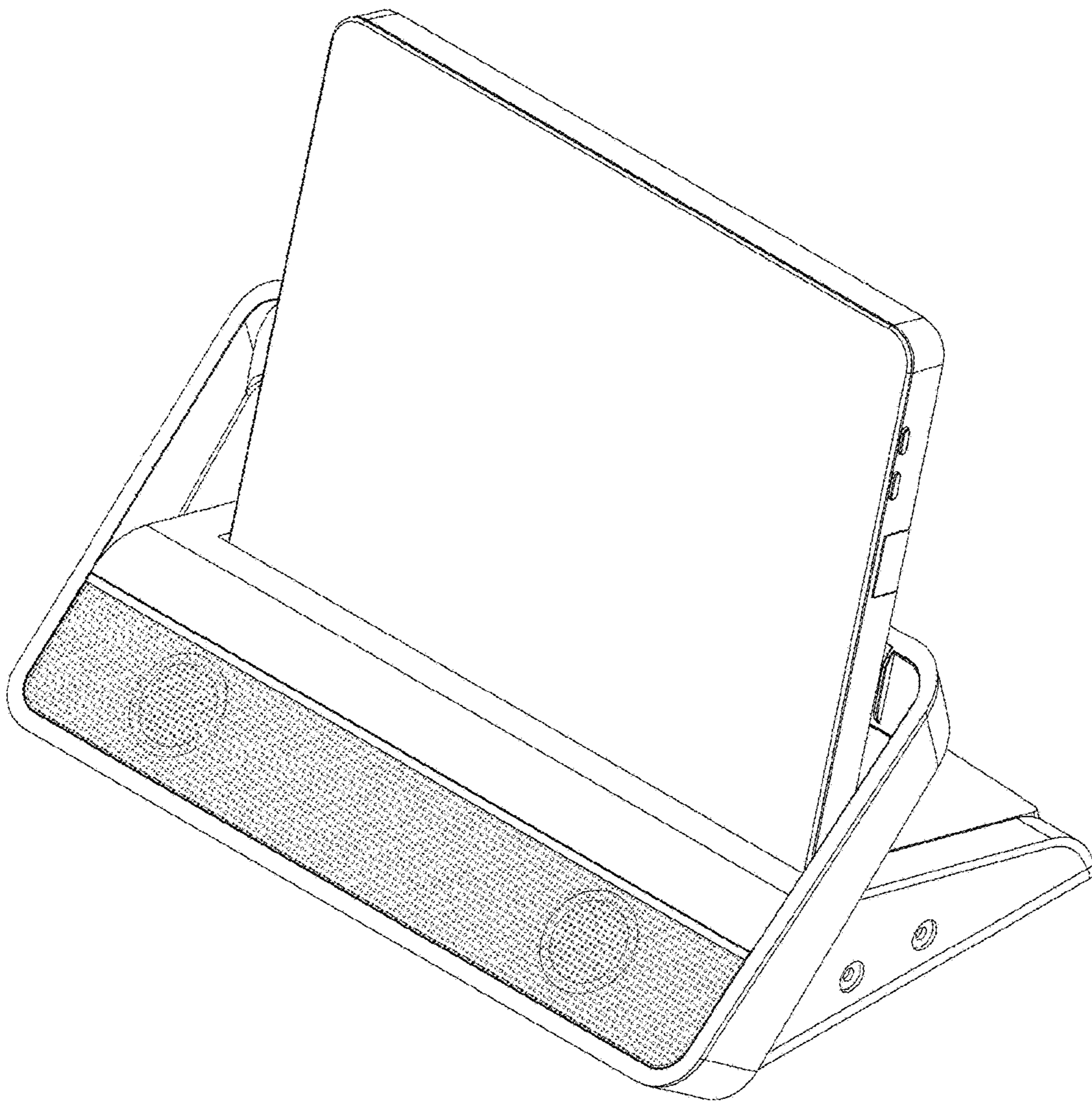


FIG. 2

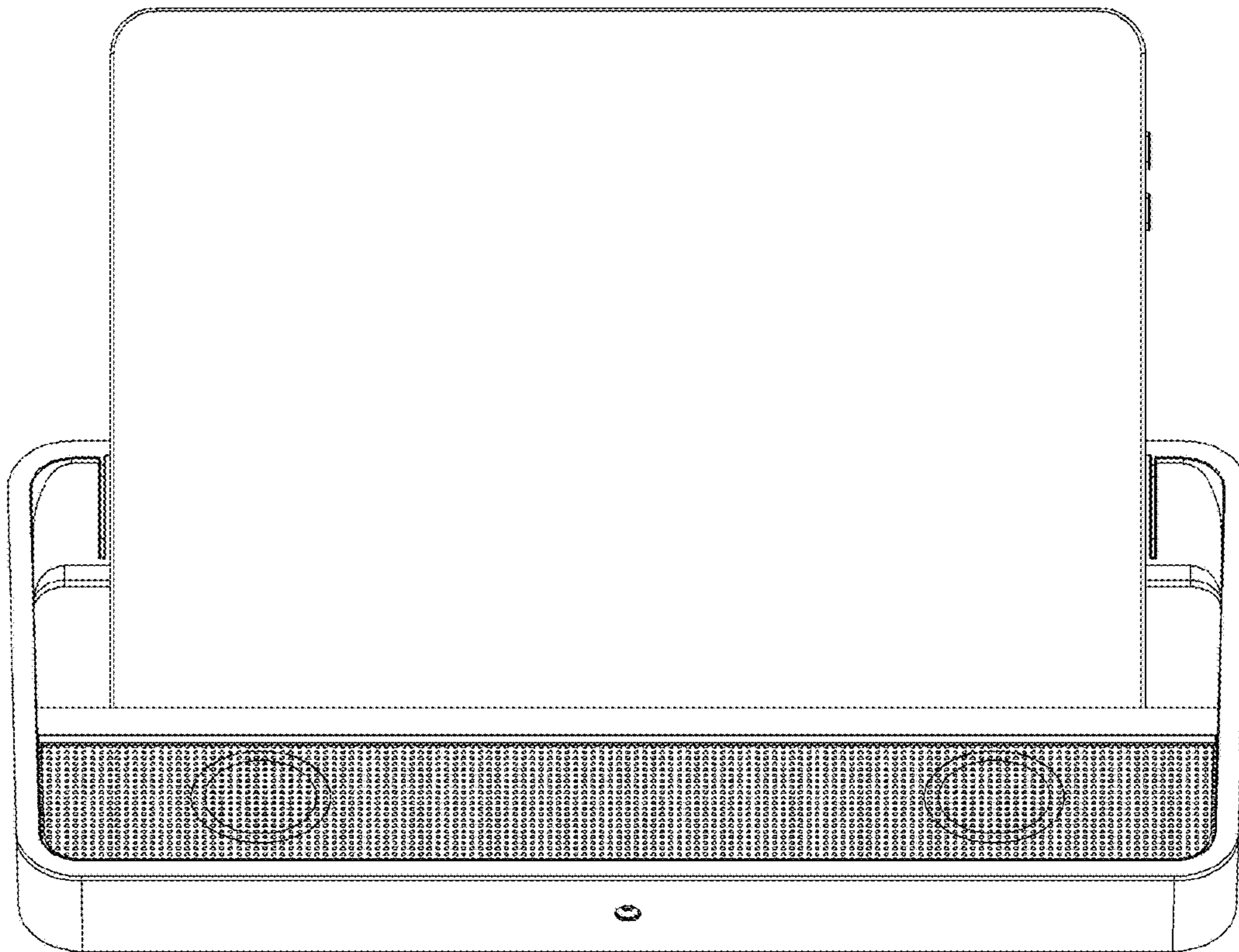


FIG. 3

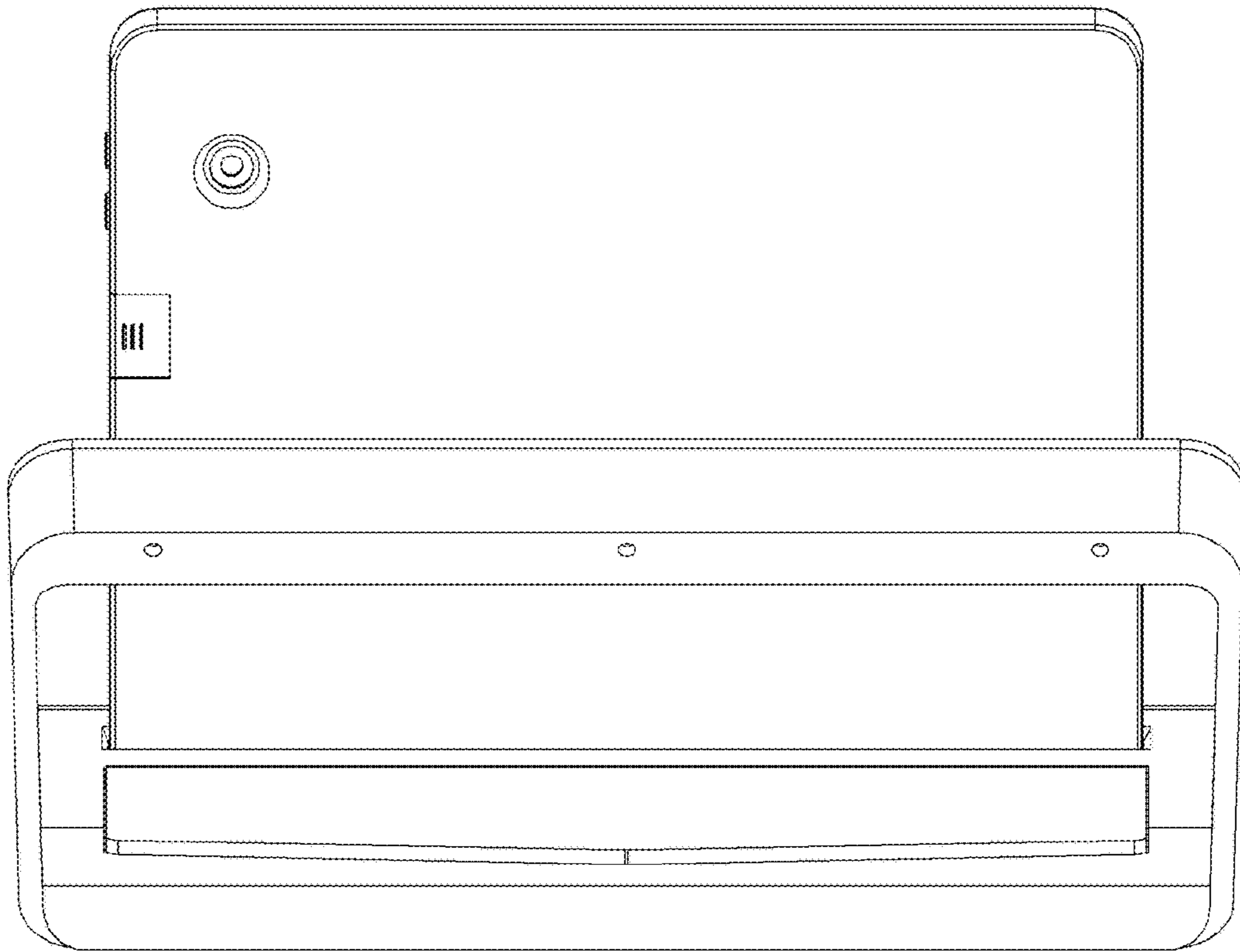


FIG. 4

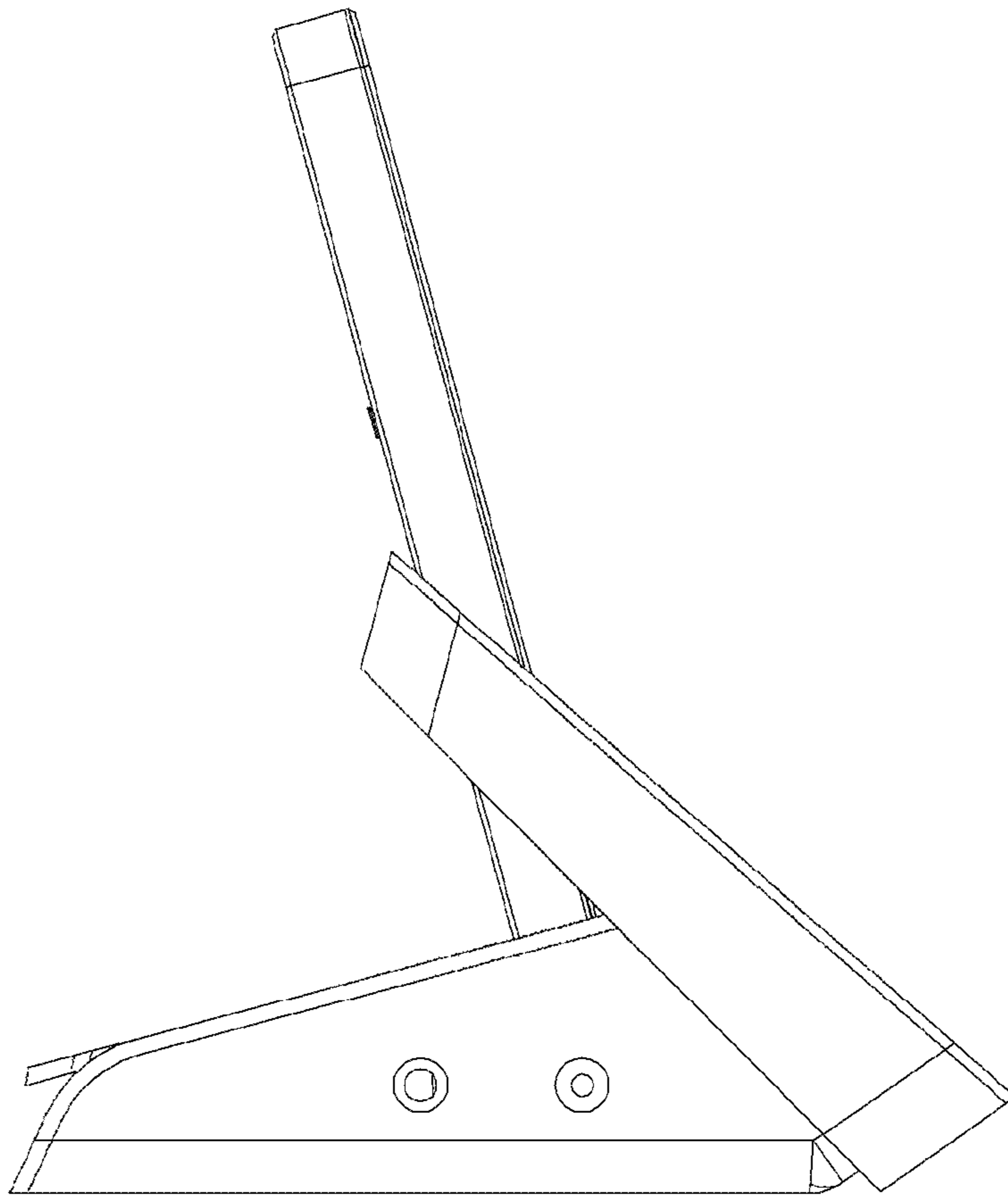


FIG. 5

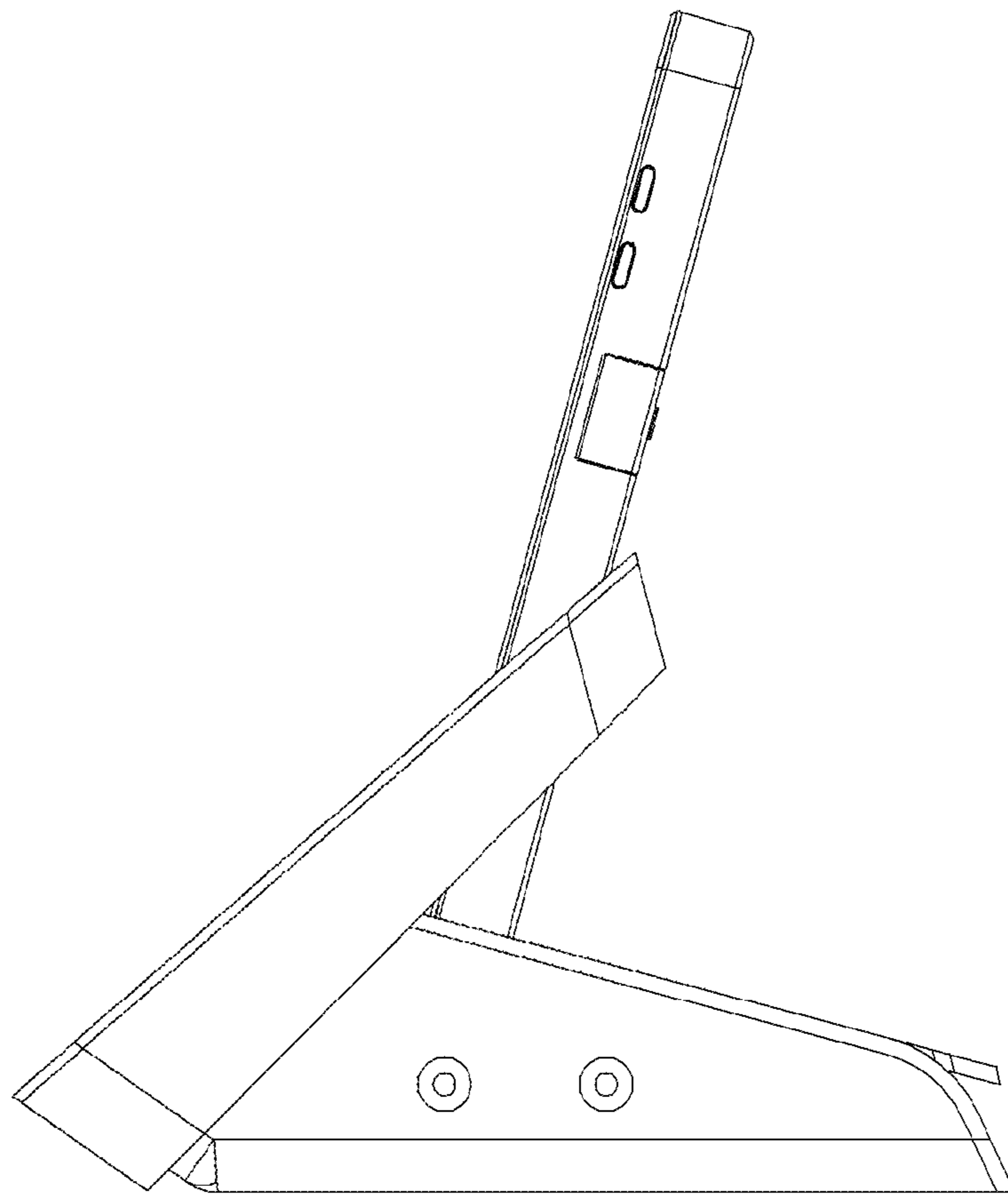


FIG. 6

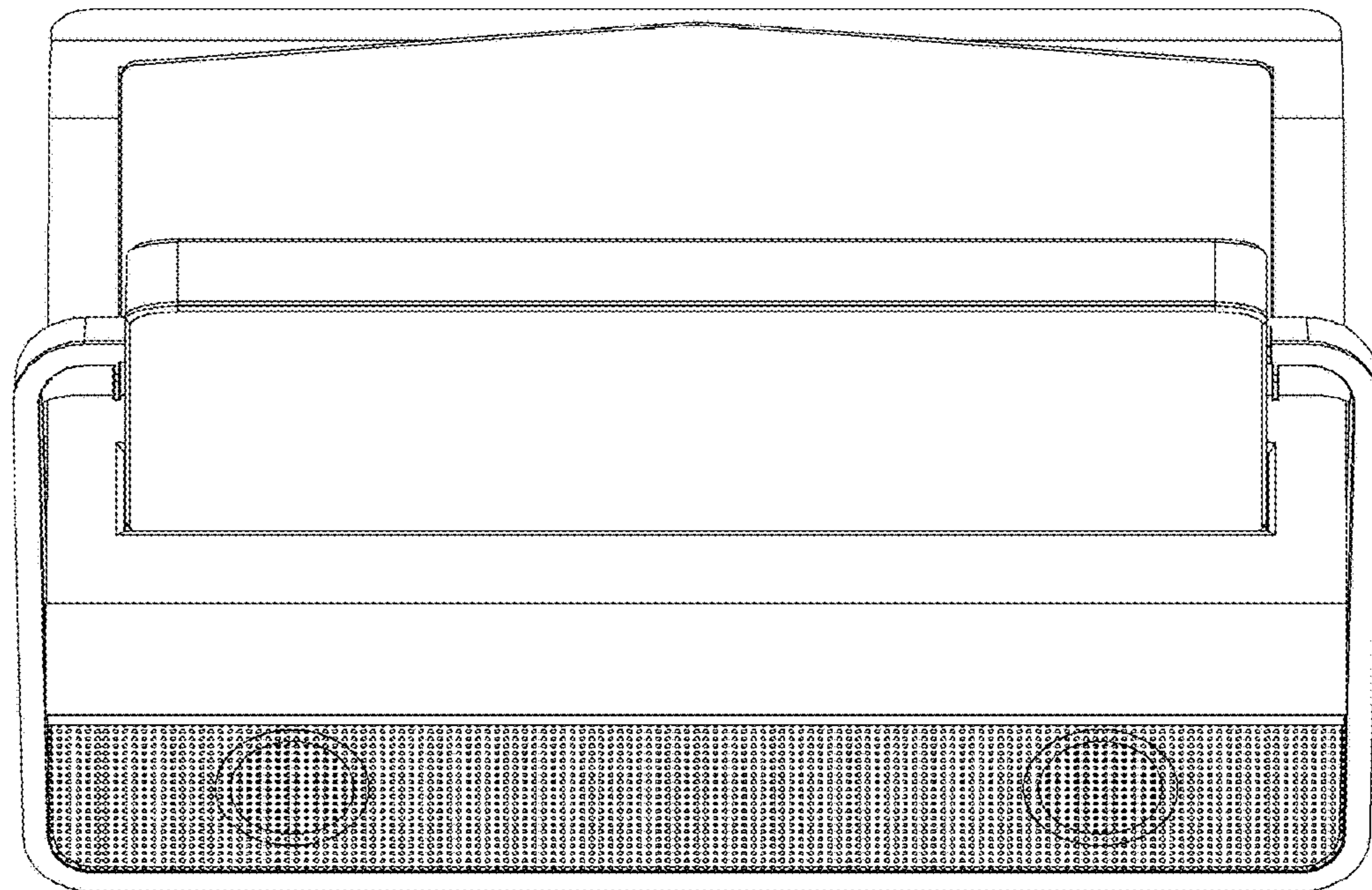


FIG. 7

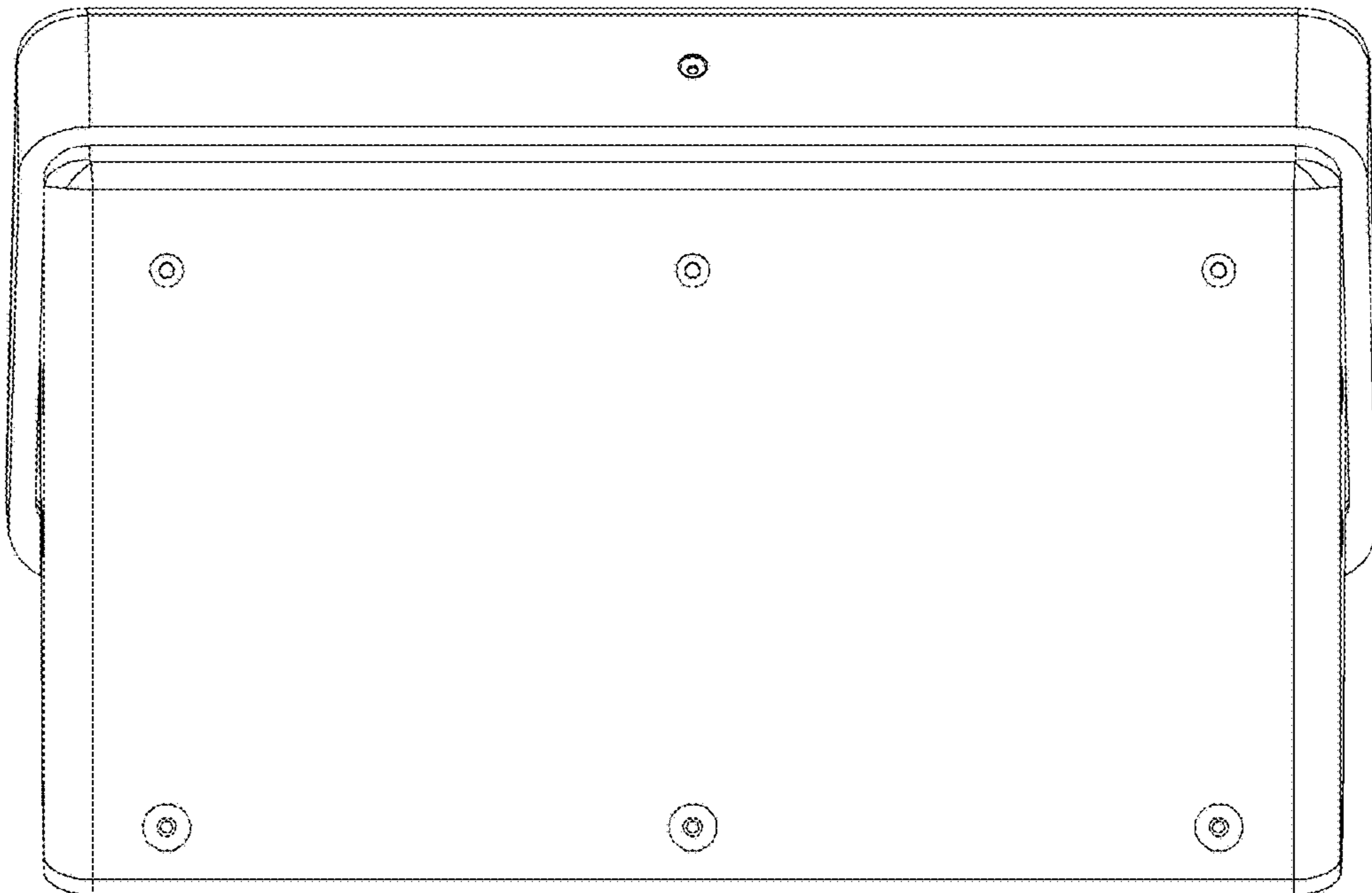


FIG. 8

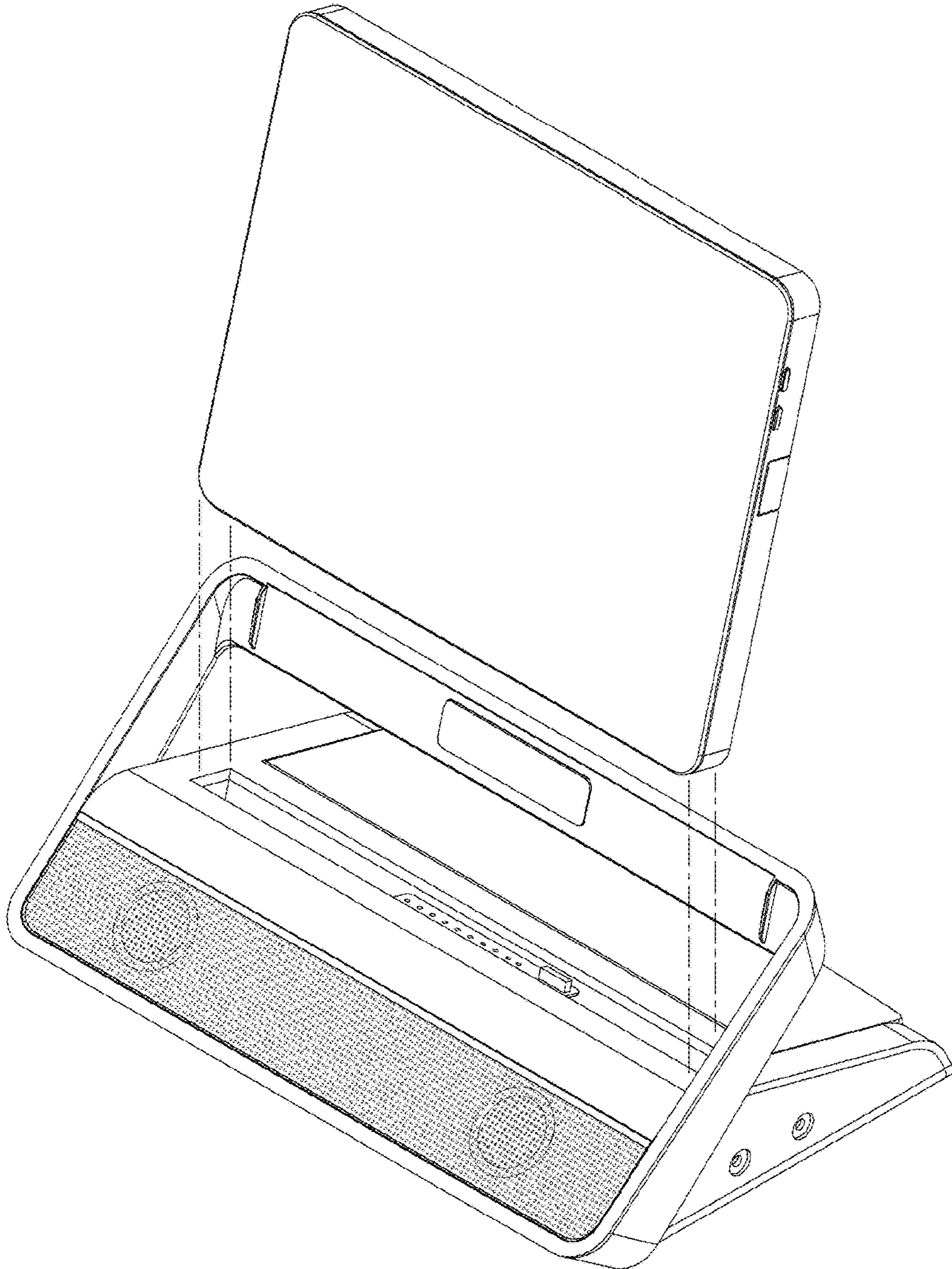


FIG. 9

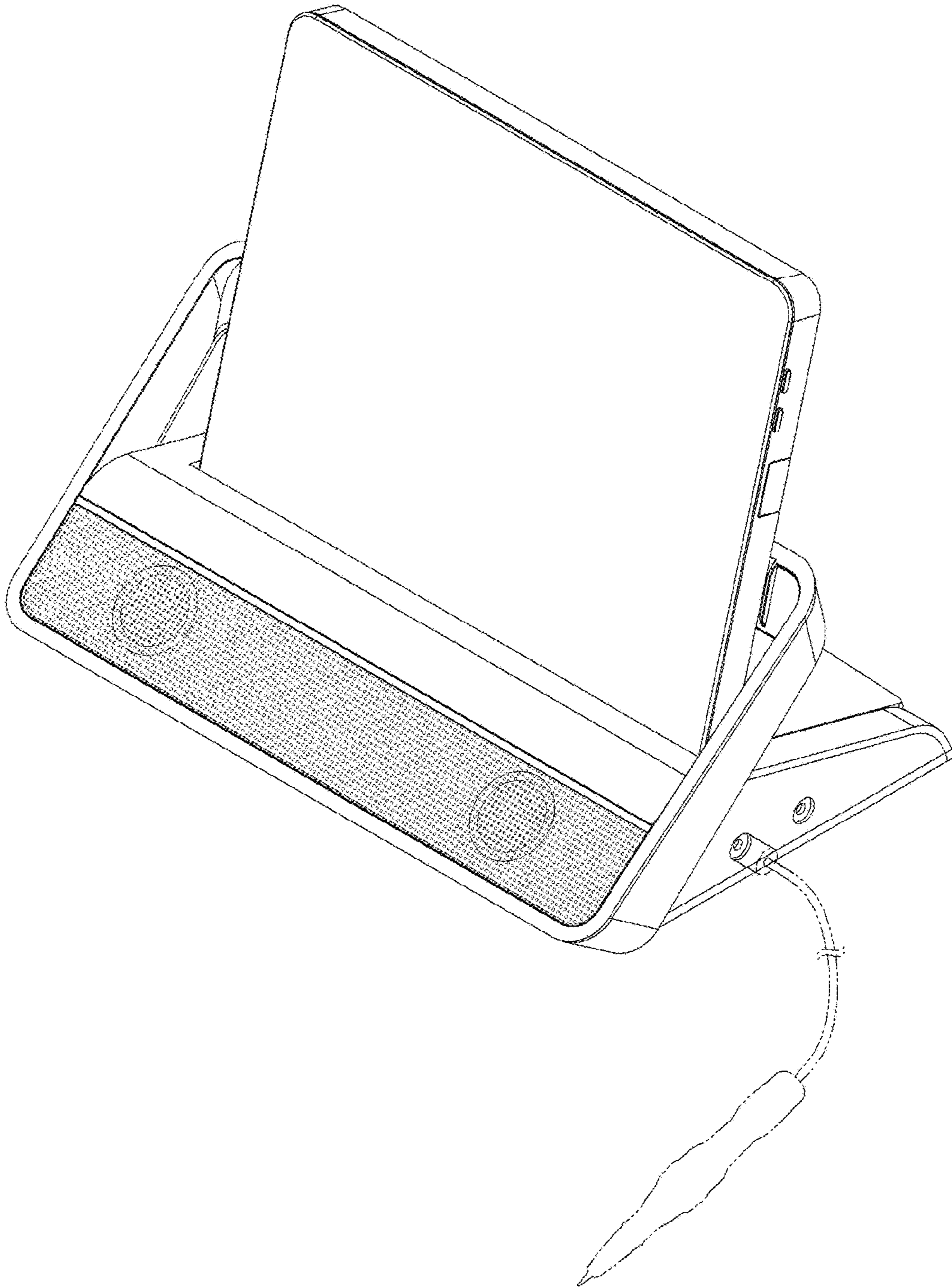


FIG. 10

