



US00D797931S

(12) **United States Design Patent**
Kim

(10) **Patent No.:** **US D797,931 S**

(45) **Date of Patent:** **** Sep. 19, 2017**

(54) **GAUGE-INTEGRATED TWEEZERS FOR TEETH ALIGNMENT**

(71) Applicant: **Joong Han Kim**, Seoul (KR)

(72) Inventor: **Joong Han Kim**, Seoul (KR)

(**) Term: **15 Years**

(21) Appl. No.: **29/559,378**

(22) Filed: **Mar. 28, 2016**

(30) **Foreign Application Priority Data**

Jan. 21, 2016 (KR) 30-2016-0003138

(51) **LOC (10) Cl.** **24-02**

(52) **U.S. Cl.**
USPC **D24/143**

(58) **Field of Classification Search**
USPC D24/143, 147, 133, 152-154; D28/55
CPC A61C 3/10; A61C 3/14; A61C 3/16; A61C
7/02; A61C 7/04; A61C 7/146; B25B
9/02

See application file for complete search history.

(56) **References Cited**

U.S. PATENT DOCUMENTS

5,007,827 A * 4/1991 DiFranco A61C 7/146
294/99.2
5,810,582 A * 9/1998 Doyle A61C 7/146
206/369
5,868,787 A * 2/1999 Kim A61C 7/146
606/210

6,786,719 B2 * 9/2004 McGann A61C 7/146
433/4
D775,727 S * 1/2017 Khaw D24/143
2006/0057533 A1 * 3/2006 McGann A61C 7/146
433/25
2010/0092918 A1 * 4/2010 Muller A61C 7/146
433/159
2011/0003263 A1 * 1/2011 Clor A61C 7/146
433/4
2011/0151406 A1 * 6/2011 Solano A61C 3/10
433/162

* cited by examiner

Primary Examiner — Wan Laymon

(74) *Attorney, Agent, or Firm* — Novick, Kim & Lee,
PLLC; Jae Youn Kim

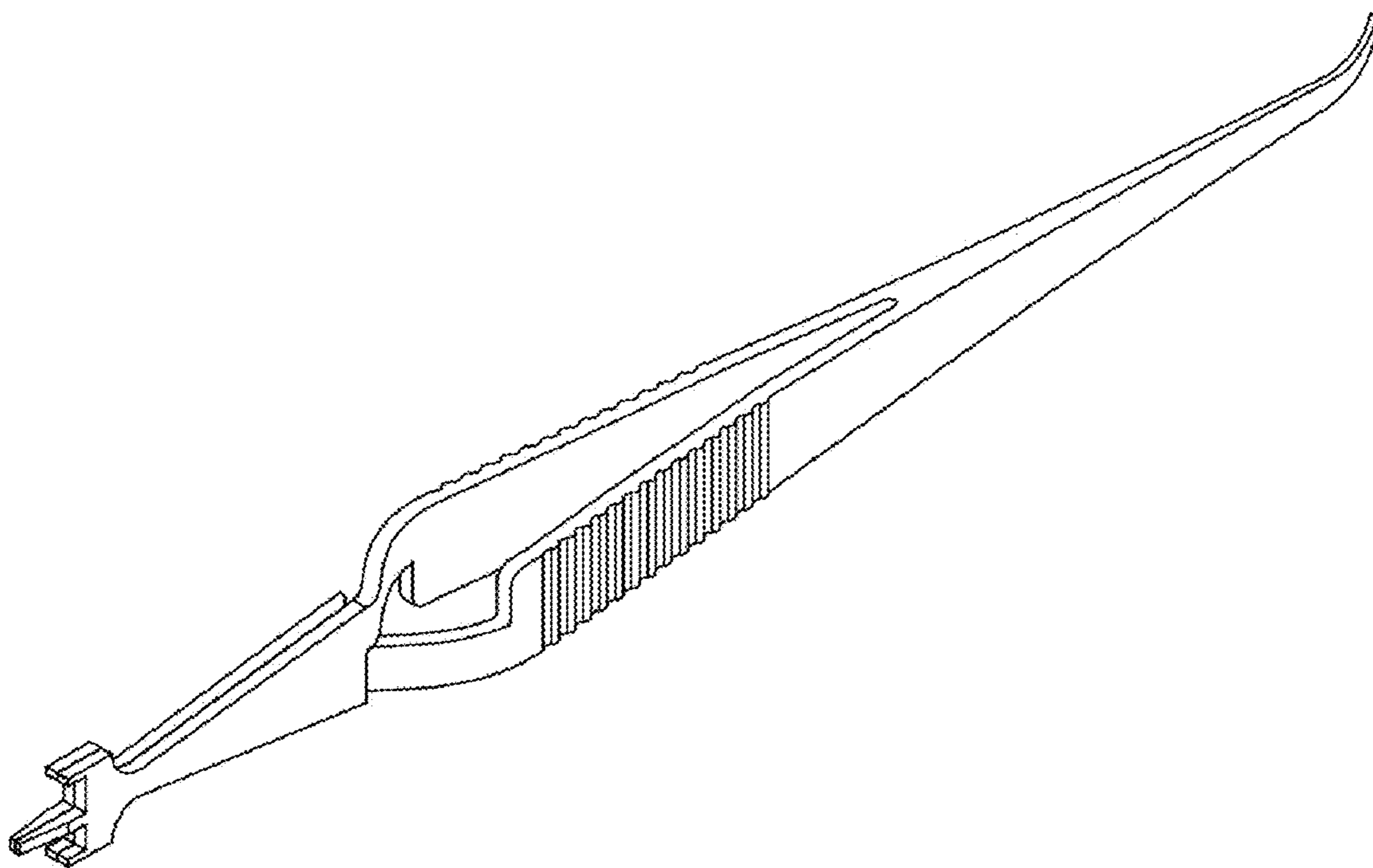
(57) **CLAIM**

I claim the ornamental design for a gauge-integrated twee-
zers for teeth alignment, as shown and described.

DESCRIPTION

FIG. 1 is a front perspective view of a gauge-integrated
tweezers for teeth alignment, showing my new design;
FIG. 2 is a front elevational view thereof;
FIG. 3 is a rear elevational view thereof;
FIG. 4 is a left side elevational view thereof;
FIG. 5 is a right side elevational view thereof;
FIG. 6 is a top plan view thereof;
FIG. 7 is a bottom plan view thereof;
FIG. 8 is an enlargement of FIG. 4; and,
FIG. 9 is an enlargement of FIG. 5.

1 Claim, 4 Drawing Sheets



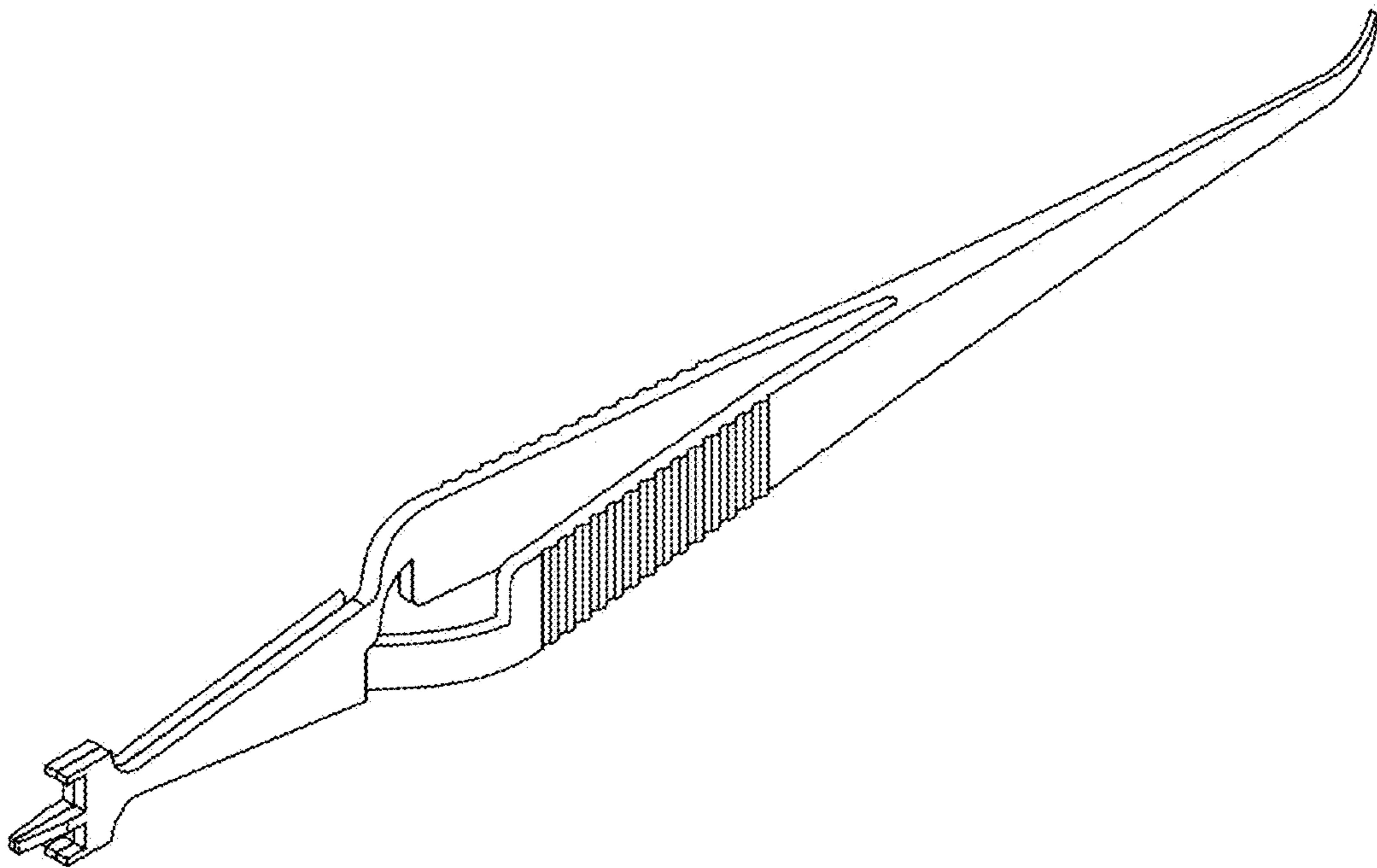


FIG. 1

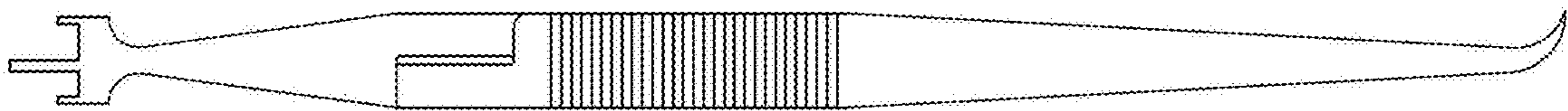


FIG. 2

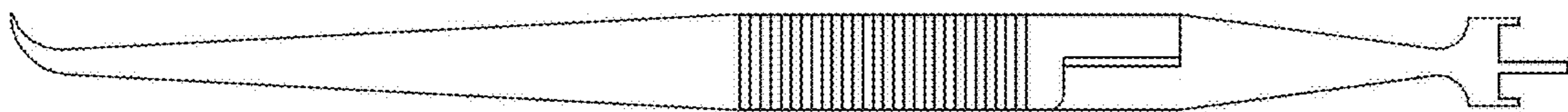


FIG. 3

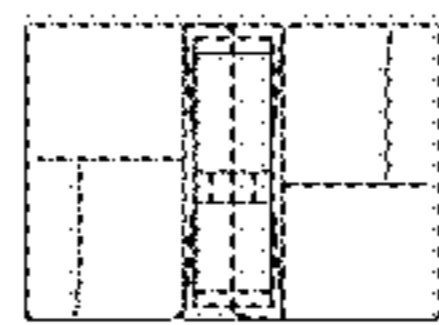


FIG. 4

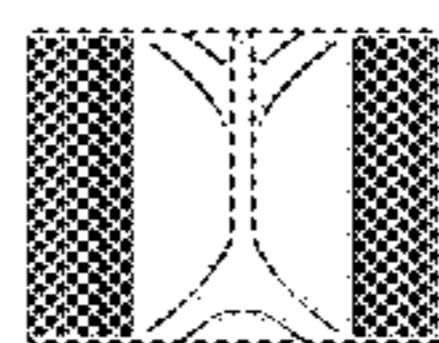


FIG. 5

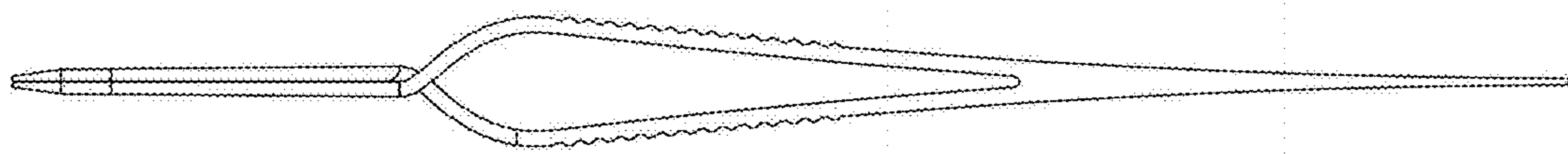


FIG. 6

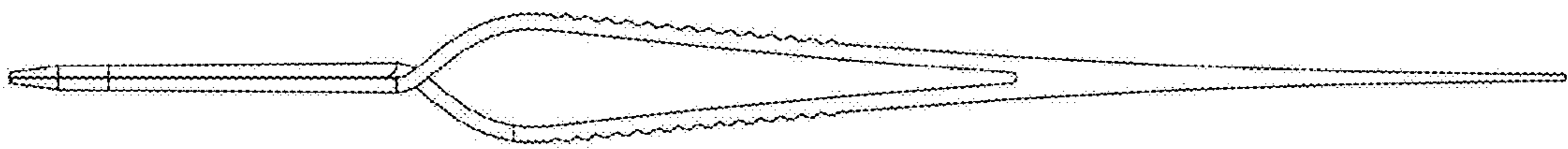


FIG. 7

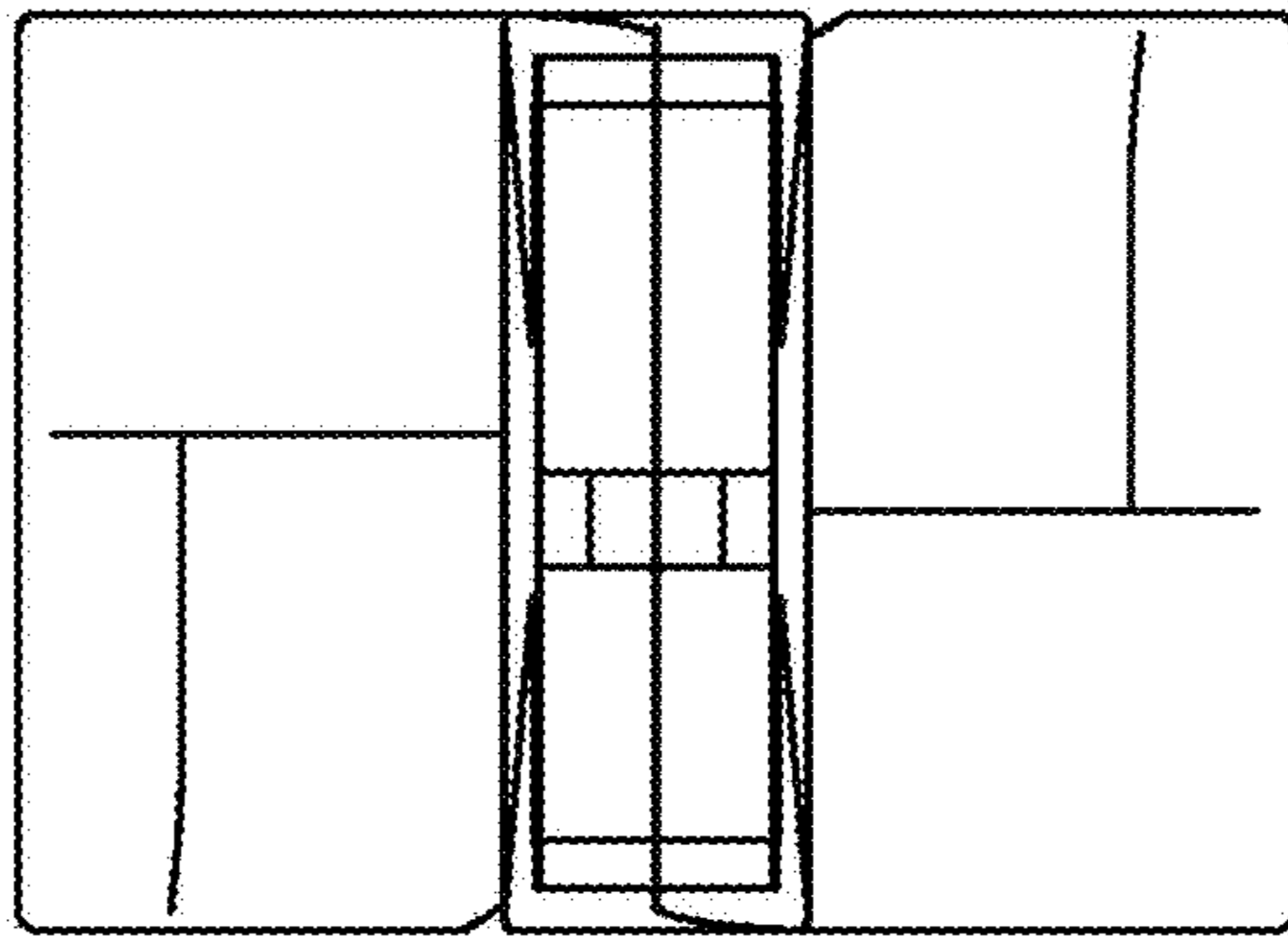


FIG. 8

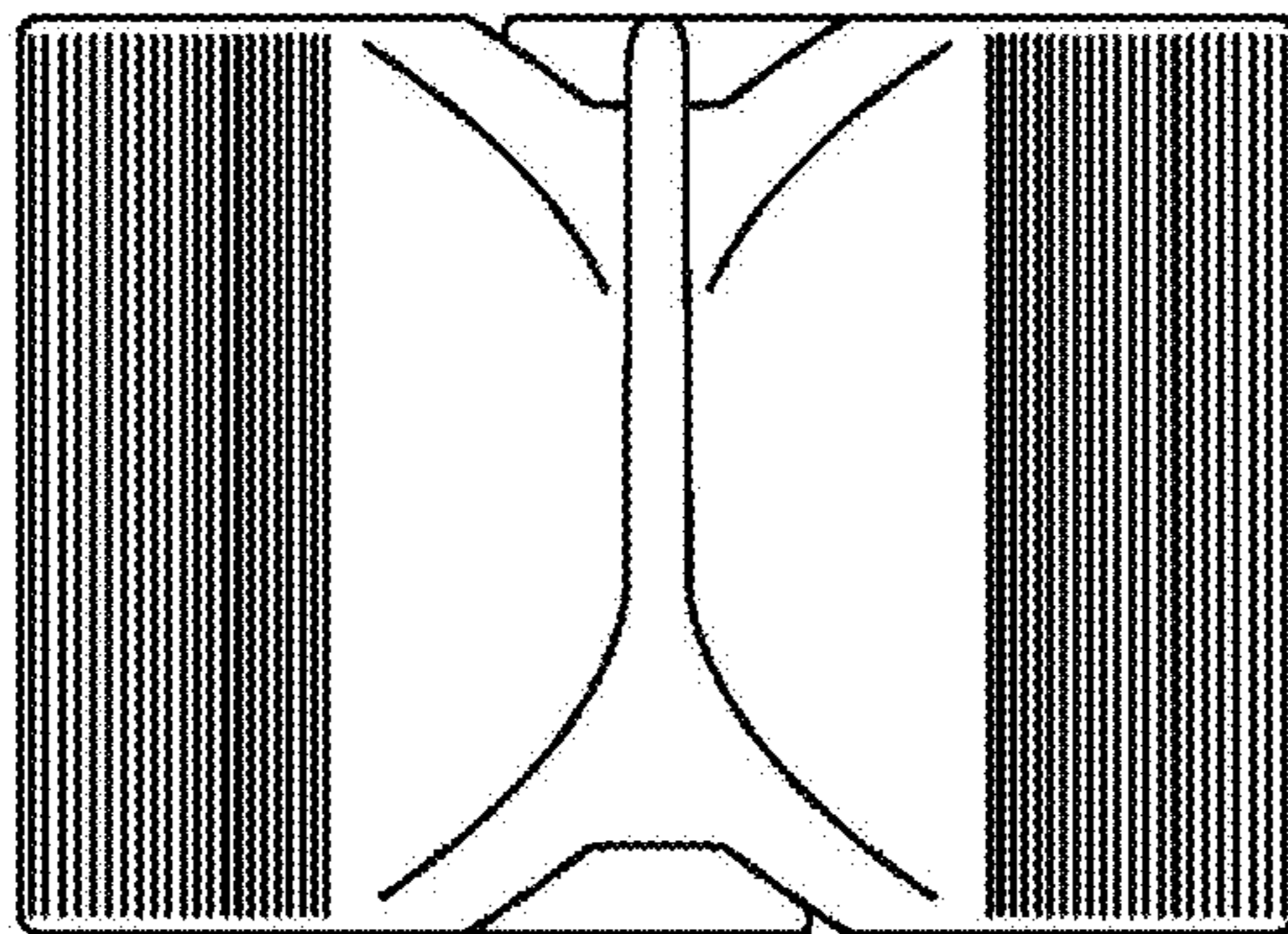


FIG. 9