

US00D797925S

(12) **United States Design Patent** (10) **Patent No.:** **US D797,925 S**
Walther et al. (45) **Date of Patent:** **** Sep. 19, 2017**

(54) **ABSORBENT ARTICLE SUBSTRATE WITH A PATTERN**

(71) Applicant: **The Procter & Gamble Company**, Cincinnati, OH (US)

(72) Inventors: **Rachael Eden Walther**, Union, KY (US); **Theodore Cory Fites**, Cincinnati, OH (US); **Jennifer Lynn Dusold**, Cincinnati, OH (US)

(73) Assignee: **The Procter & Gamble Company**, Cincinnati, OH (US)

(**) Term: **15 Years**

(21) Appl. No.: **29/589,923**

(22) Filed: **Jan. 5, 2017**

Related U.S. Application Data

(62) Division of application No. 29/522,627, filed on Apr. 1, 2015, now Pat. No. Des. 779,657.

(51) **LOC (10) Cl.** **24-04**

(52) **U.S. Cl.**
USPC **D24/126**

(58) **Field of Classification Search**
USPC D24/124–126; 604/347, 348, 354, 604/358–361, 378, 384, 385.01, 385.201, 604/385.22, 385.24, 385.25
CPC A61F 13/15; A61F 13/64; A61F 13/476; A61F 13/5633; A61F 13/4704; A61F 13/535; A61F 13/539; A61F 13/5611; A61F 13/47; A61F 13/531
See application file for complete search history.

(56) **References Cited**

U.S. PATENT DOCUMENTS

D580,050 S 11/2008 Rinaldi
D597,665 S 8/2009 Rinaldi et al.

D676,132 S 2/2013 Cutshaw
D681,199 S 4/2013 Cutshaw et al.
D686,318 S 7/2013 Mason
D686,319 S 7/2013 Hawes
D691,715 S 10/2013 Mason
D695,895 S 12/2013 Mason
D699,346 S 2/2014 McElroy et al.
D721,804 S 1/2015 Cutshaw
D761,418 S 7/2016 Mark
D773,653 S * 12/2016 Kremer D24/124
D773,654 S * 12/2016 Fites D24/126
D779,657 S * 2/2017 Walther D24/126
2005/0217791 A1 10/2005 Costello et al.

* cited by examiner

Primary Examiner — Thomas Johannes

Assistant Examiner — Samantha Q Lawrence

(74) *Attorney, Agent, or Firm* — Andrew J. Hagerty

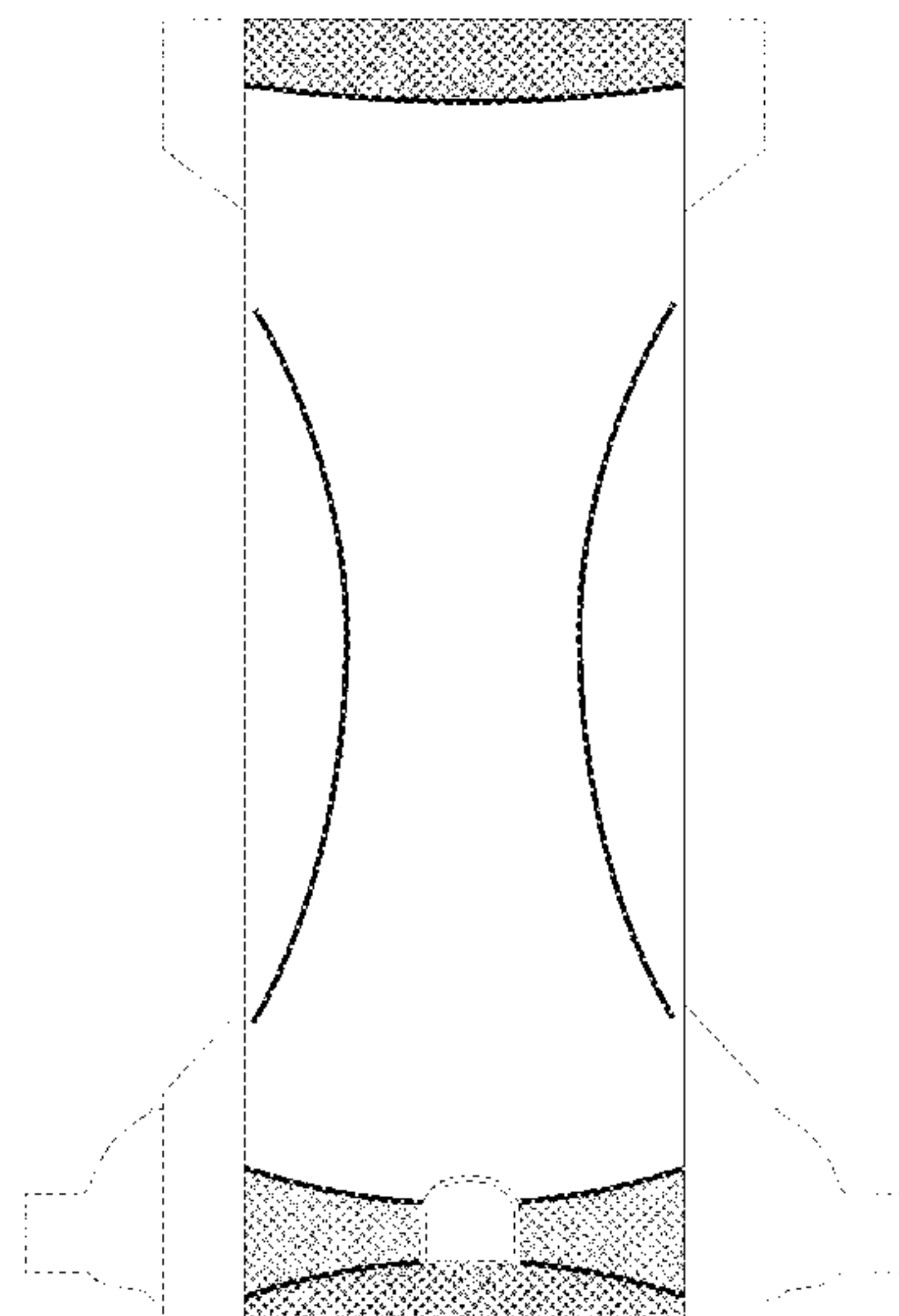
(57) **CLAIM**

The ornamental design for an absorbent article substrate with a pattern, as shown and described.

DESCRIPTION

FIG. 1 is a front view of an absorbent article substrate with a pattern;
FIG. 2 is a rear view thereof;
FIG. 3 is a top end view thereof;
FIG. 4 is a left side view thereof;
FIG. 5 is a right side view thereof; and,
FIG. 6 is a bottom end view thereof.
The broken lines, including those showing a diaper and diaper tabs and ears thereof, are included for the purpose of illustrating environment and form no part of the claimed design.
The stippling indicates contrasting surface appearances.

1 Claim, 3 Drawing Sheets



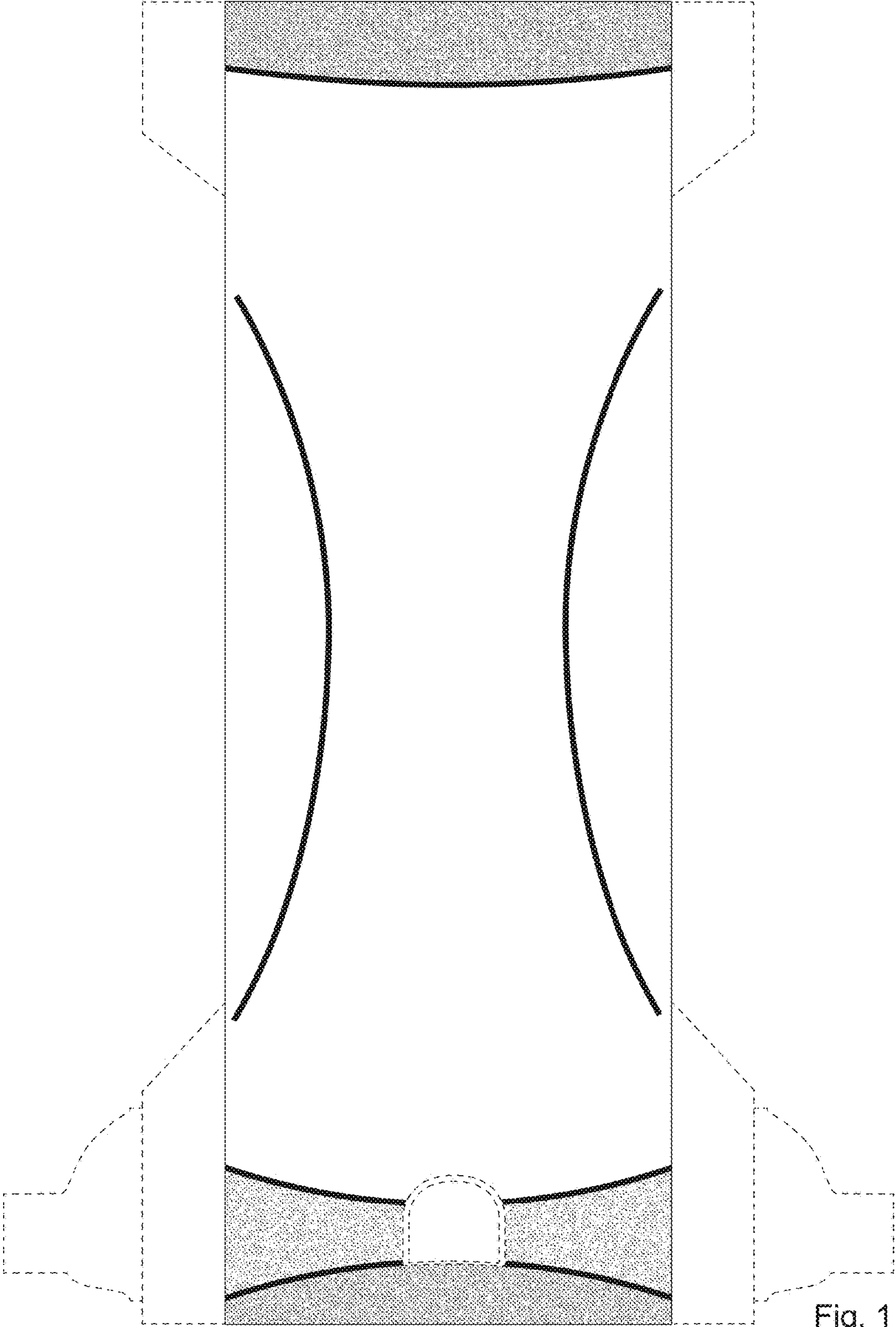


Fig. 1

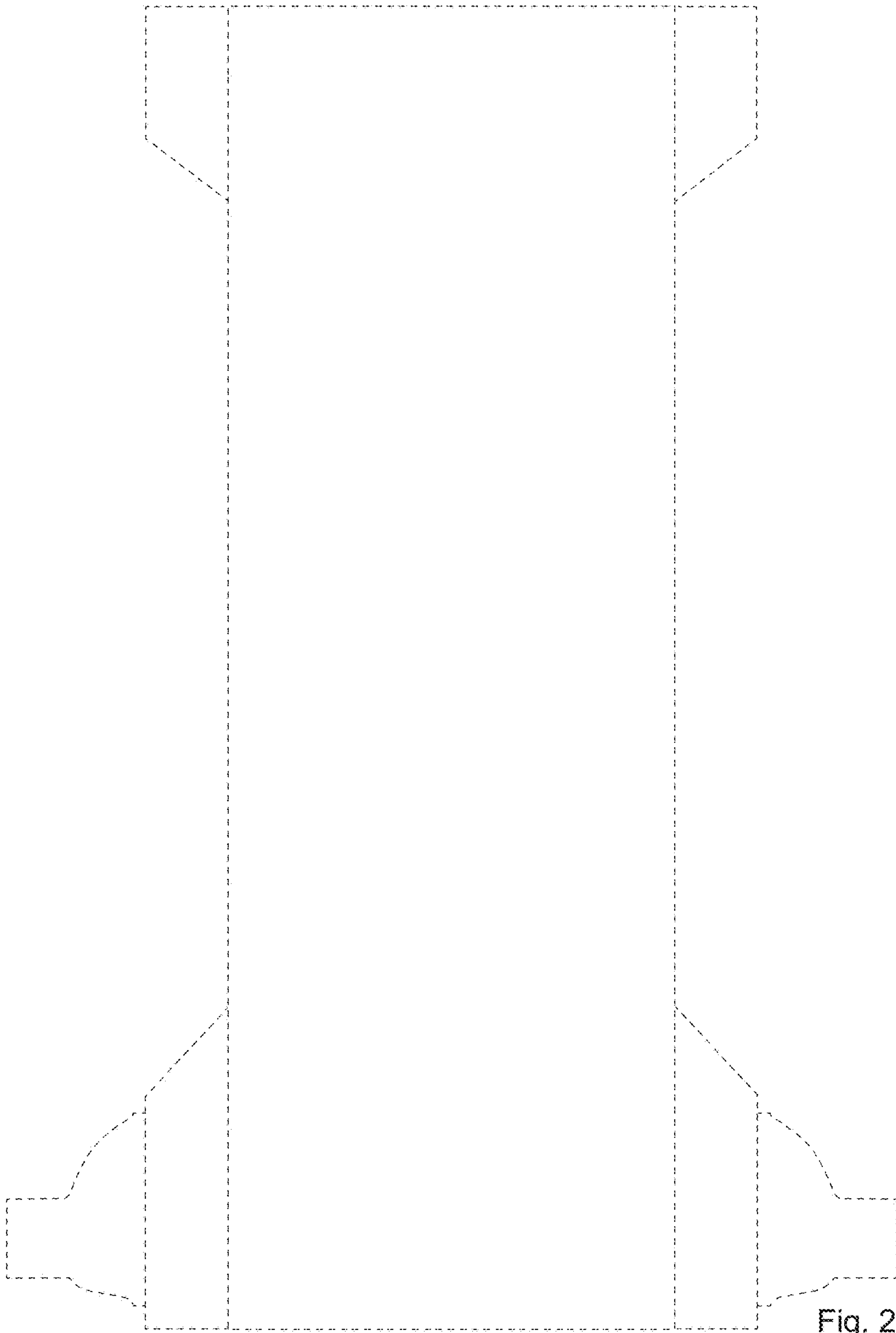


Fig. 2

Fig. 3



Fig. 4



Fig. 5

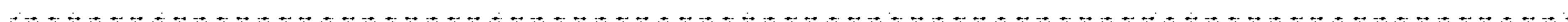


Fig. 6