



US00D797924S

(12) **United States Design Patent** (10) **Patent No.:** **US D797,924 S**  
**Bureau** (45) **Date of Patent:** **\*\* Sep. 19, 2017**

(54) **MEDICINE INJECTOR**  
 (71) Applicant: **NUOVA OMPI S.r.l.**, Piombino Dese (Padua) (IT)  
 (72) Inventor: **Christophe Bureau**, Grenoble (FR)  
 (73) Assignee: **NUOVA OMPI S.R.L.**, Piombino Dese (Padua) (IT)  
 (\*\*) Term: **15 Years**

D652,137 S \* 1/2012 Nino ..... D24/133  
 D676,546 S \* 2/2013 Lovell ..... D24/113  
 D676,547 S \* 2/2013 Quinn ..... D24/113  
 D677,381 S \* 3/2013 Stones ..... D24/113  
 D677,382 S \* 3/2013 Foley ..... D24/114  
 D748,781 S \* 2/2016 Zhang ..... D24/133  
 D748,782 S \* 2/2016 Zhang ..... D24/133  
 D778,174 S \* 2/2017 Zhang ..... D24/133  
 D779,053 S \* 2/2017 Kobida ..... D24/108  
 D779,663 S \* 2/2017 Nino ..... D24/133  
 D781,415 S \* 3/2017 Brannon ..... D24/112

\* cited by examiner

(21) Appl. No.: **29/571,751**  
 (22) Filed: **Jul. 21, 2016**  
 (51) **LOC (10) Cl.** ..... **24-02**  
 (52) **U.S. Cl.**  
 USPC ..... **D24/112**  
 (58) **Field of Classification Search**  
 USPC ..... D24/112–114, 108, 133, 130, 127, 186;  
 606/181, 185; 604/264, 272, 187, 181,  
 604/184, 227  
 CPC ..... A61M 5/178; A61M 3/00; A61M 5/20;  
 A61M 5/31; A61M 5/3146; A61M  
 5/3129; A61M 5/3148; A61M 5/315  
 See application file for complete search history.

*Primary Examiner* — David Muller  
 (74) *Attorney, Agent, or Firm* — Troutman Sanders LLP

(57) **CLAIM**

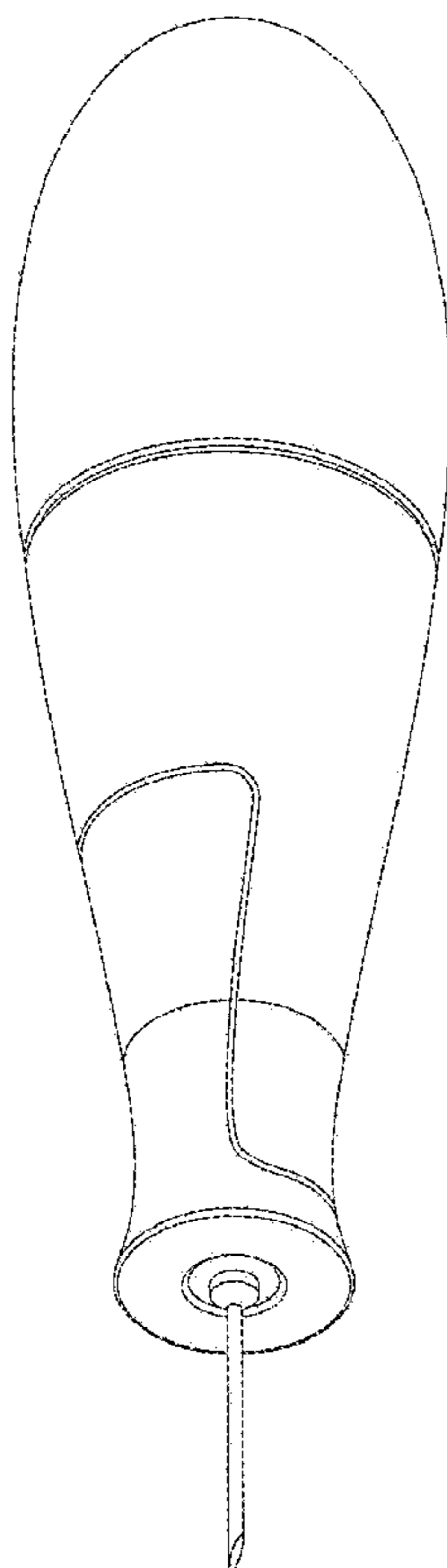
The ornamental design for a medicine injector, as shown and described.

**DESCRIPTION**

FIG. 1 is a front-right-bottom perspective view of a medicine injector;  
 FIG. 2 is a front view thereof;  
 FIG. 3 is a rear view thereof;  
 FIG. 4 is a right side view thereof; the opposite side being a mirror image; and,  
 FIG. 5 is a bottom view thereof.

(56) **References Cited**  
 U.S. PATENT DOCUMENTS  
 D420,739 S \* 2/2000 Moreau-Defarges ..... D24/112  
 D429,526 S \* 8/2000 Sullivan ..... D24/133

**1 Claim, 5 Drawing Sheets**



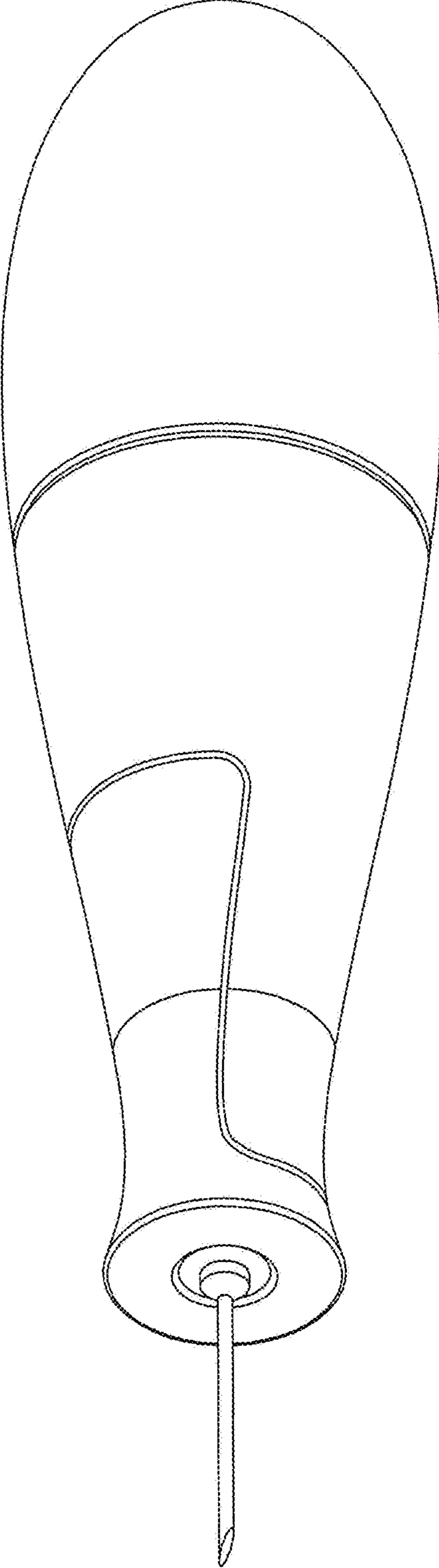


FIG. 1

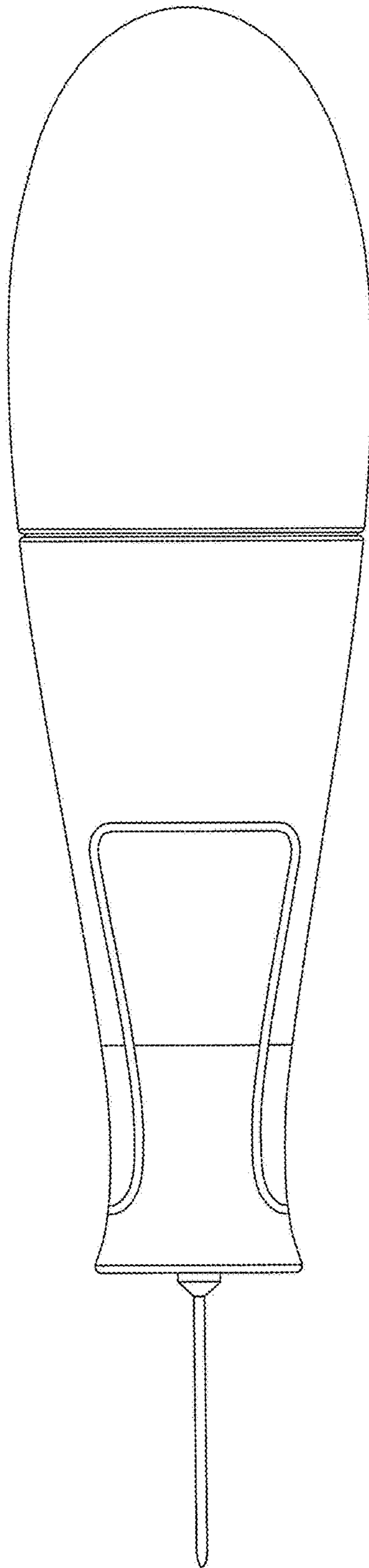


FIG. 2

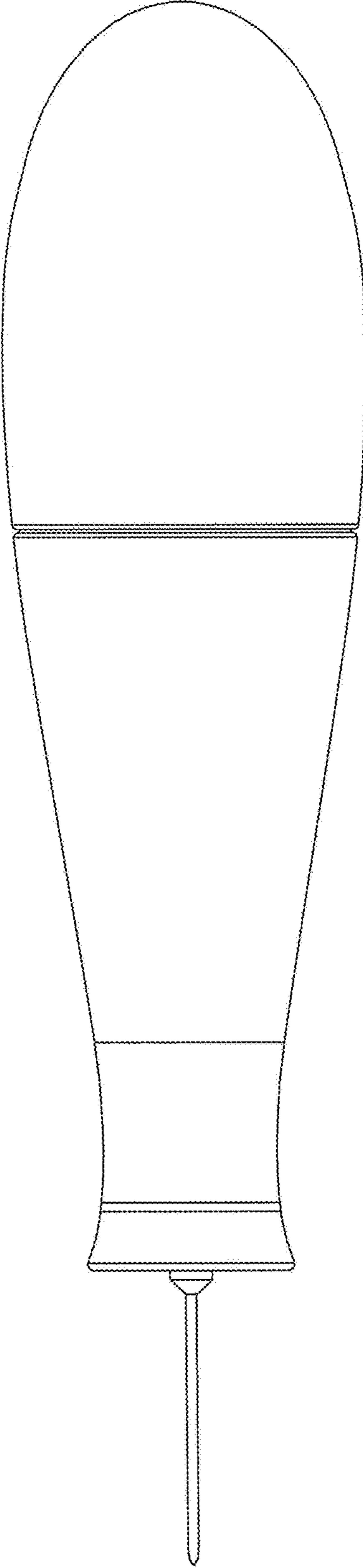


FIG. 3

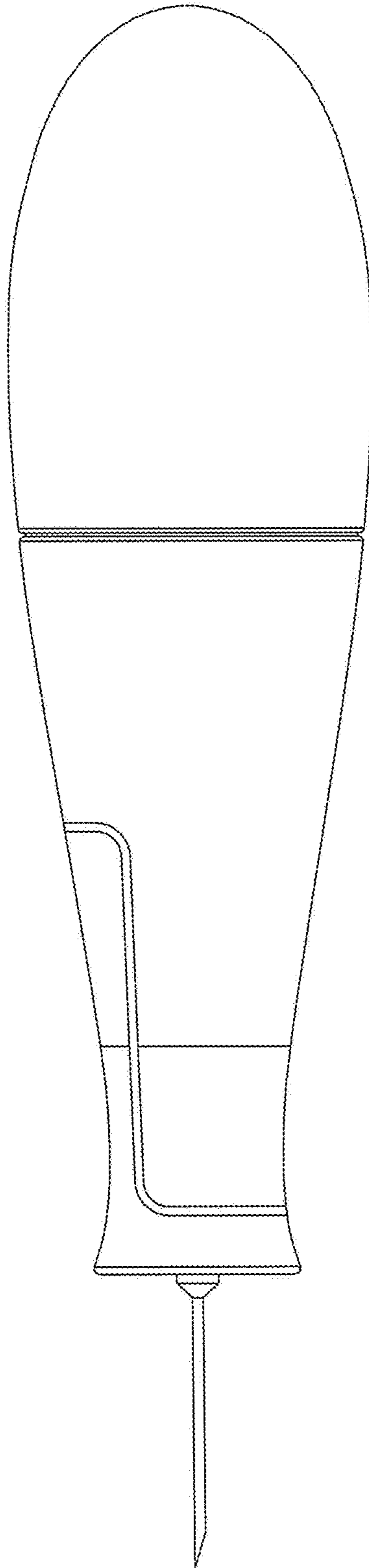


FIG. 4

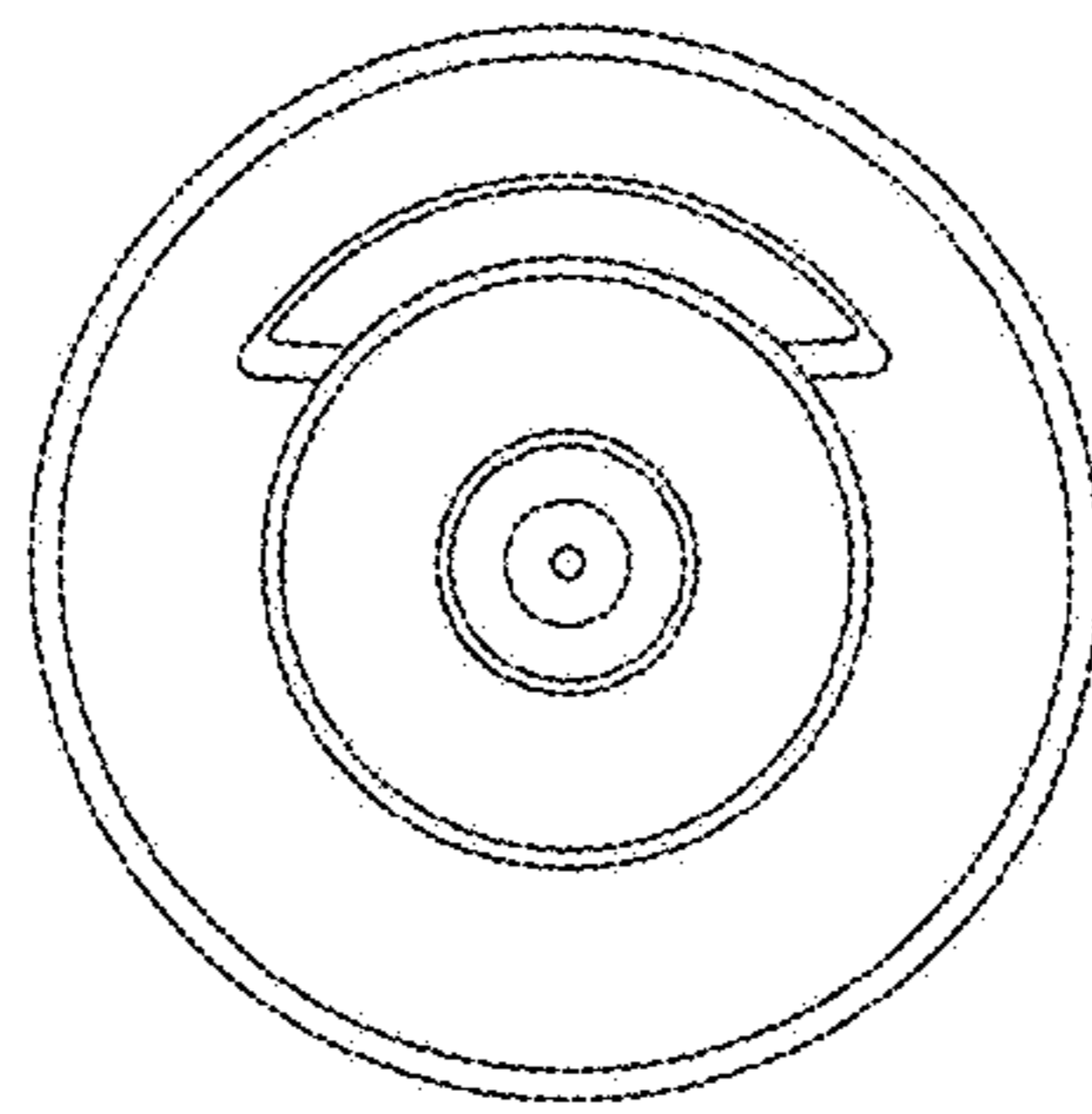


FIG. 5

UNITED STATES PATENT AND TRADEMARK OFFICE  
**CERTIFICATE OF CORRECTION**

PATENT NO. : D797,924 S  
APPLICATION NO. : 29/571751  
DATED : September 19, 2017  
INVENTOR(S) : Christophe Bureau

Page 1 of 1

It is certified that error appears in the above-identified patent and that said Letters Patent is hereby corrected as shown below:

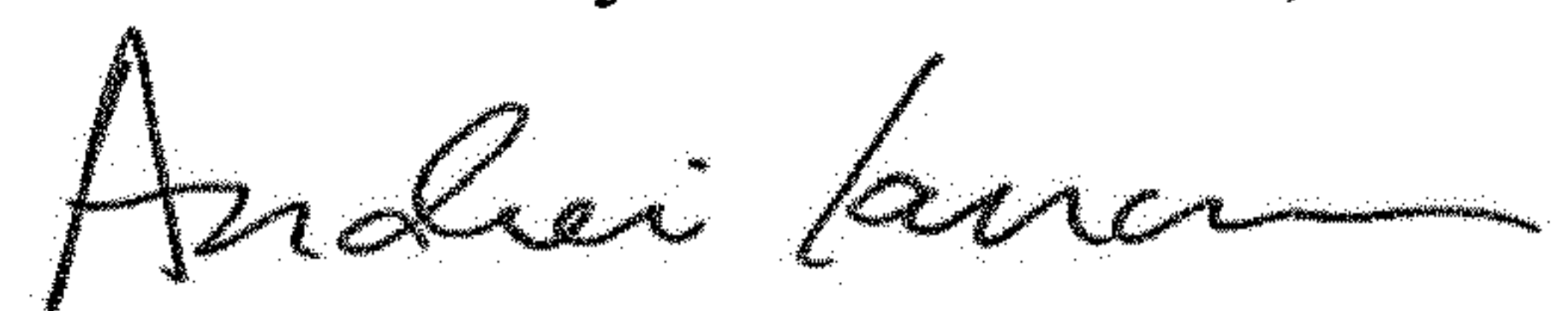
On the Title Page

Insert the following between Items (22) and (51):

--(30) Foreign Application Priority Data

January 21, 2016 (EU) ..... 002953687-0004--

Signed and Sealed this  
Eleventh Day of December, 2018



Andrei Iancu  
*Director of the United States Patent and Trademark Office*