



US00D797923S

(12) **United States Design Patent**
Pereira

(10) **Patent No.:** **US D797,923 S**
(45) **Date of Patent:** **** Sep. 19, 2017**

(54) **ADD-ON FOR INJECTOR PEN**
(71) Applicant: **Biocorp Production SA**, Issoire (FR)
(72) Inventor: **Alexandre Pereira**, Issoire (FR)
(73) Assignee: **BIOCORP PRODUCTION SA**, Issoire (FR)
(**) Term: **15 Years**
(21) Appl. No.: **29/546,981**
(22) Filed: **Nov. 30, 2015**
(51) **LOC (10) Cl.** **24-02**
(52) **U.S. Cl.**
USPC **D24/112**
(58) **Field of Classification Search**
USPC D24/112–114, 108, 133, 130, 127, 186;
606/181, 185; 604/264, 272, 187, 181,
604/184, 227
CPC A61M 5/178; A61M 3/00; A61M 5/20;
A61M 5/31; A61M 5/3146; A61M
5/3129; A61M 5/3148; A61M 5/315
See application file for complete search history.

5,885,217 A * 3/1999 Gisselberg A61M 25/0097
600/434
D477,664 S * 7/2003 Wong D24/108
7,713,280 B2 * 5/2010 Marshall A61B 5/1411
600/583
8,454,534 B2 * 6/2013 Russomano A61B 5/1411
600/573
D712,543 S * 9/2014 Maier D24/186
D747,458 S * 1/2016 Sonderegger D24/108
D747,801 S * 1/2016 Kwon D24/133
D748,243 S * 1/2016 Perthu D24/113
D748,246 S * 1/2016 Perthu D24/114

* cited by examiner

Primary Examiner — David Muller

(74) *Attorney, Agent, or Firm* — Hoffmann & Baron, LLP

(57) **CLAIM**

The ornamental design for an add-on for injector pen, as shown and described.

DESCRIPTION

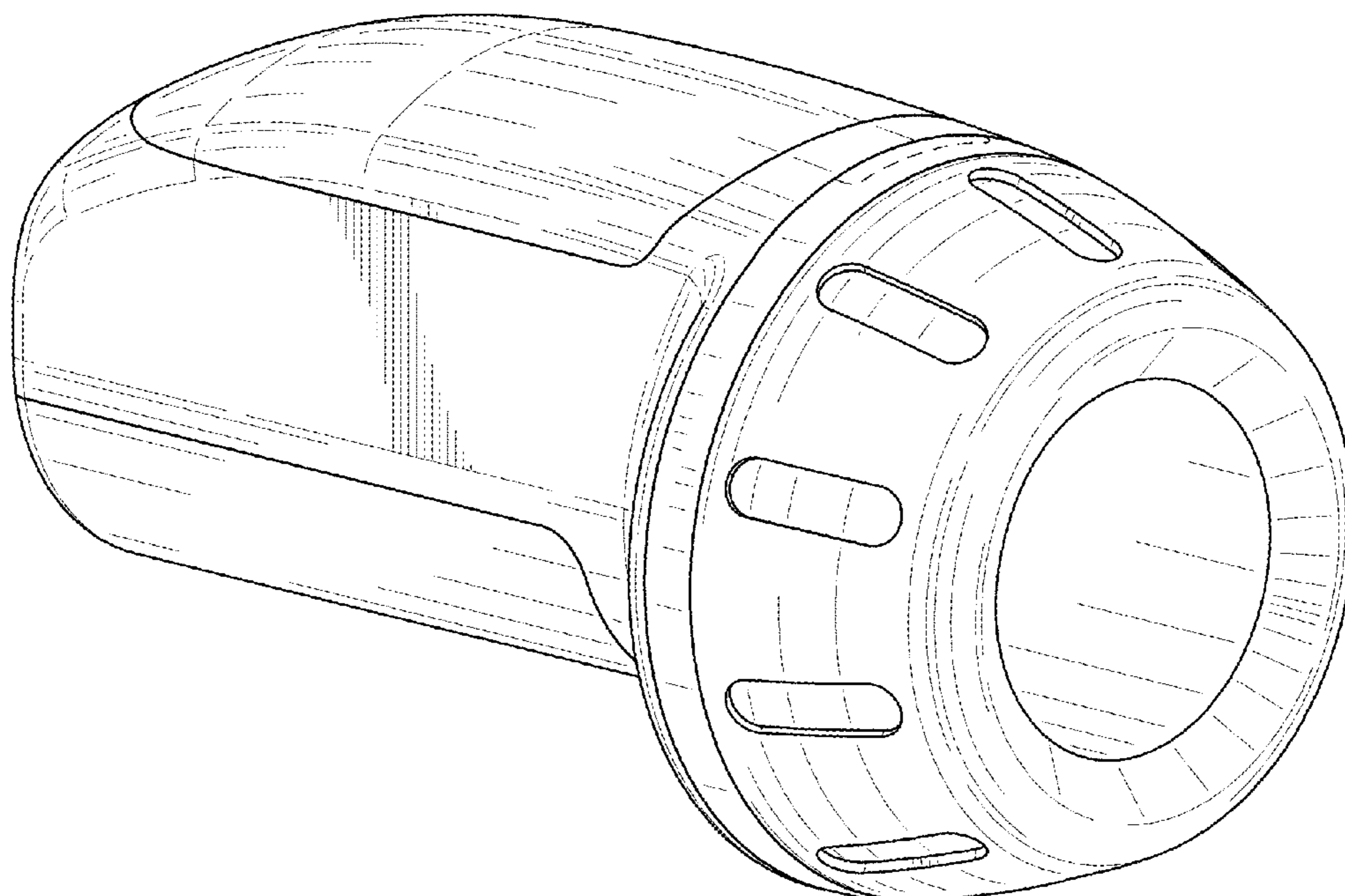
FIG. 1 is a front perspective view of an add-on for injector pen showing my new design.
FIG. 2 is a top plan thereof.
FIG. 3 is a bottom plan view thereof.
FIG. 4 is a right side elevation view thereof.
FIG. 5 is a left side elevation view thereof; and,
FIG. 6 is a back plan view thereof.
The broken lines are included for the purpose of illustrating portions that form no part of the claimed design.

1 Claim, 3 Drawing Sheets

(56) **References Cited**

U.S. PATENT DOCUMENTS

4,471,890 A * 9/1984 Dougherty B65D 47/18
222/190
D295,787 S * 5/1988 Hegemann D24/110
5,554,136 A * 9/1996 Luther A61M 25/003
604/247
D399,559 S * 10/1998 Molina D24/112



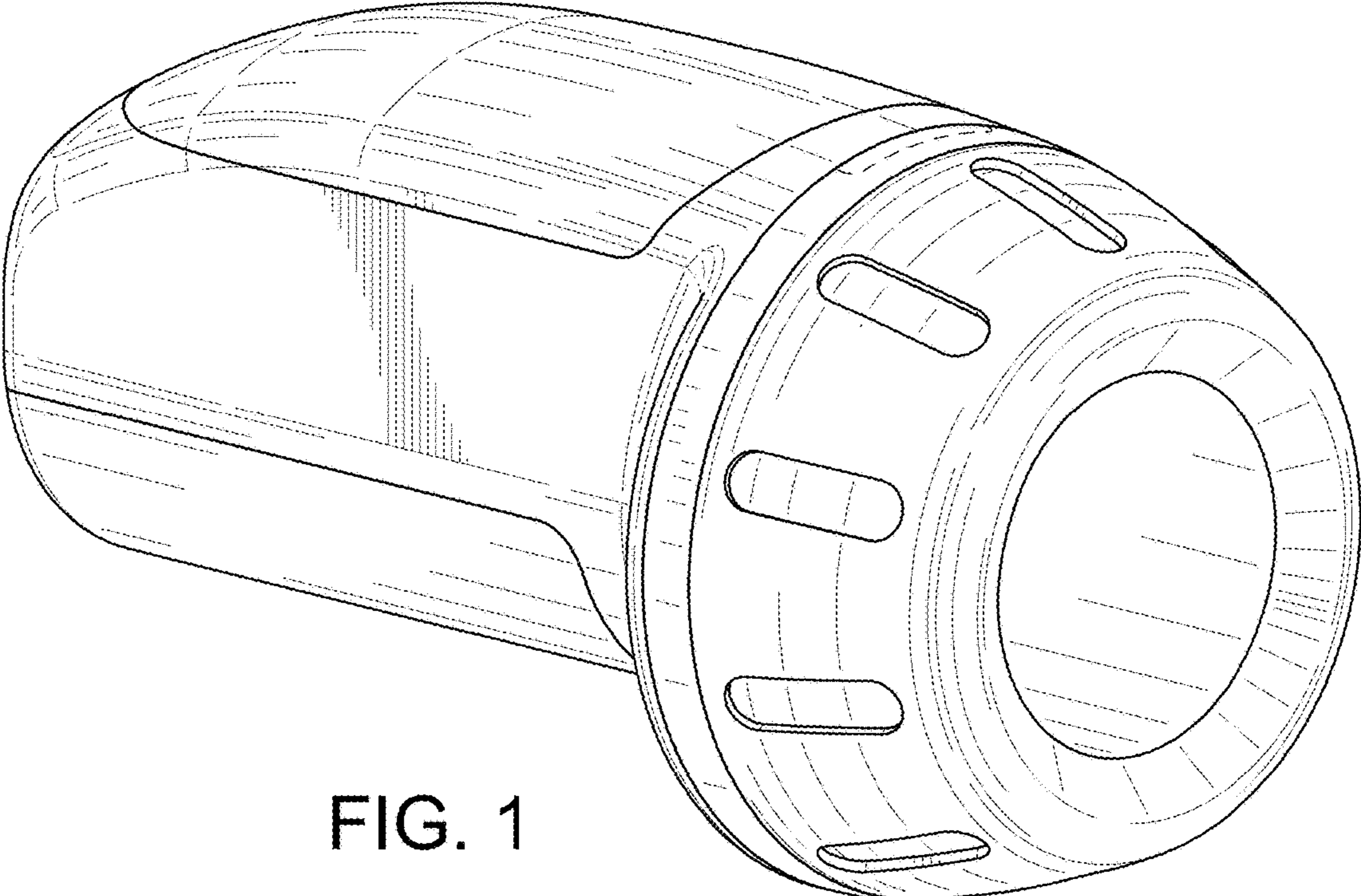


FIG. 1

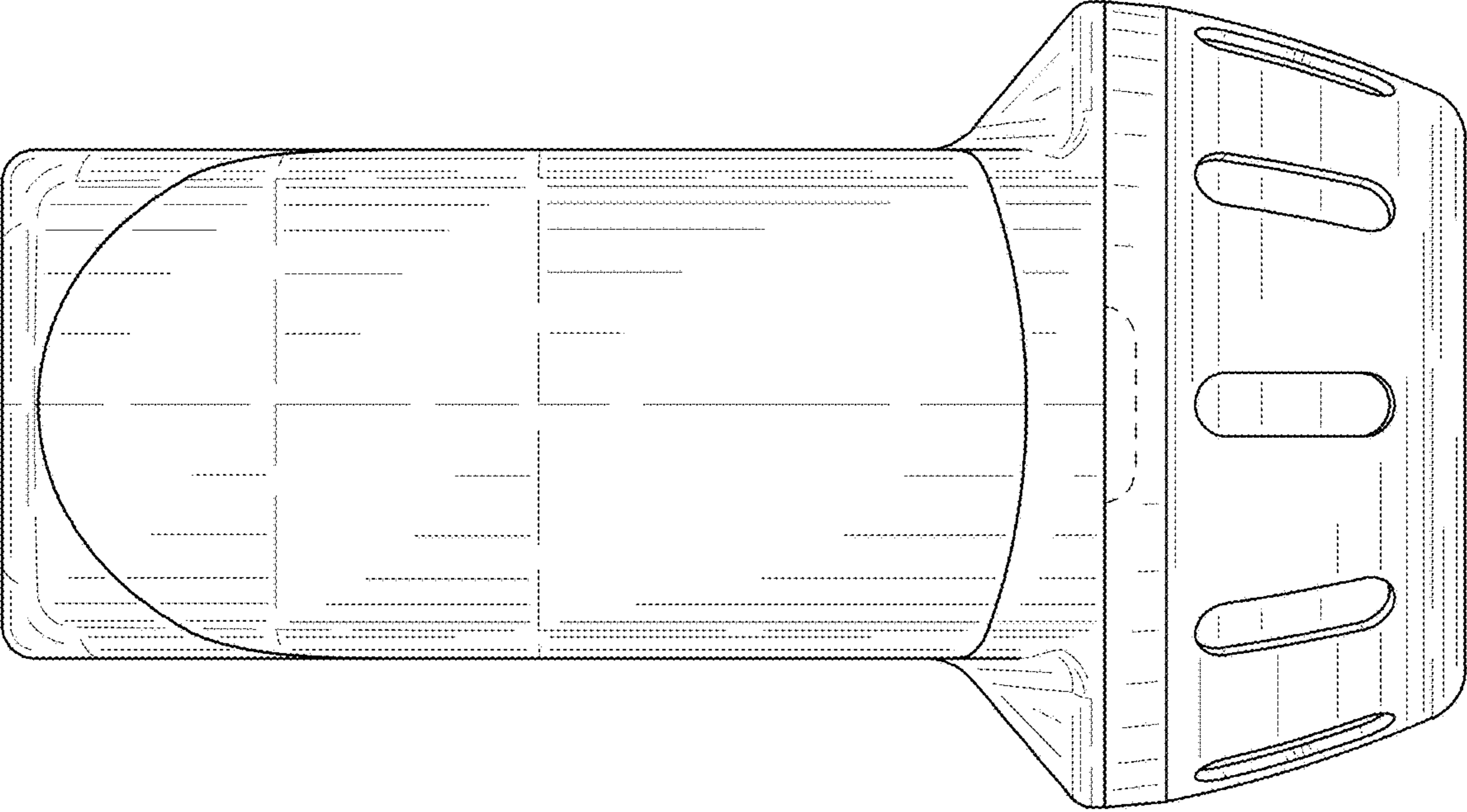


FIG. 2

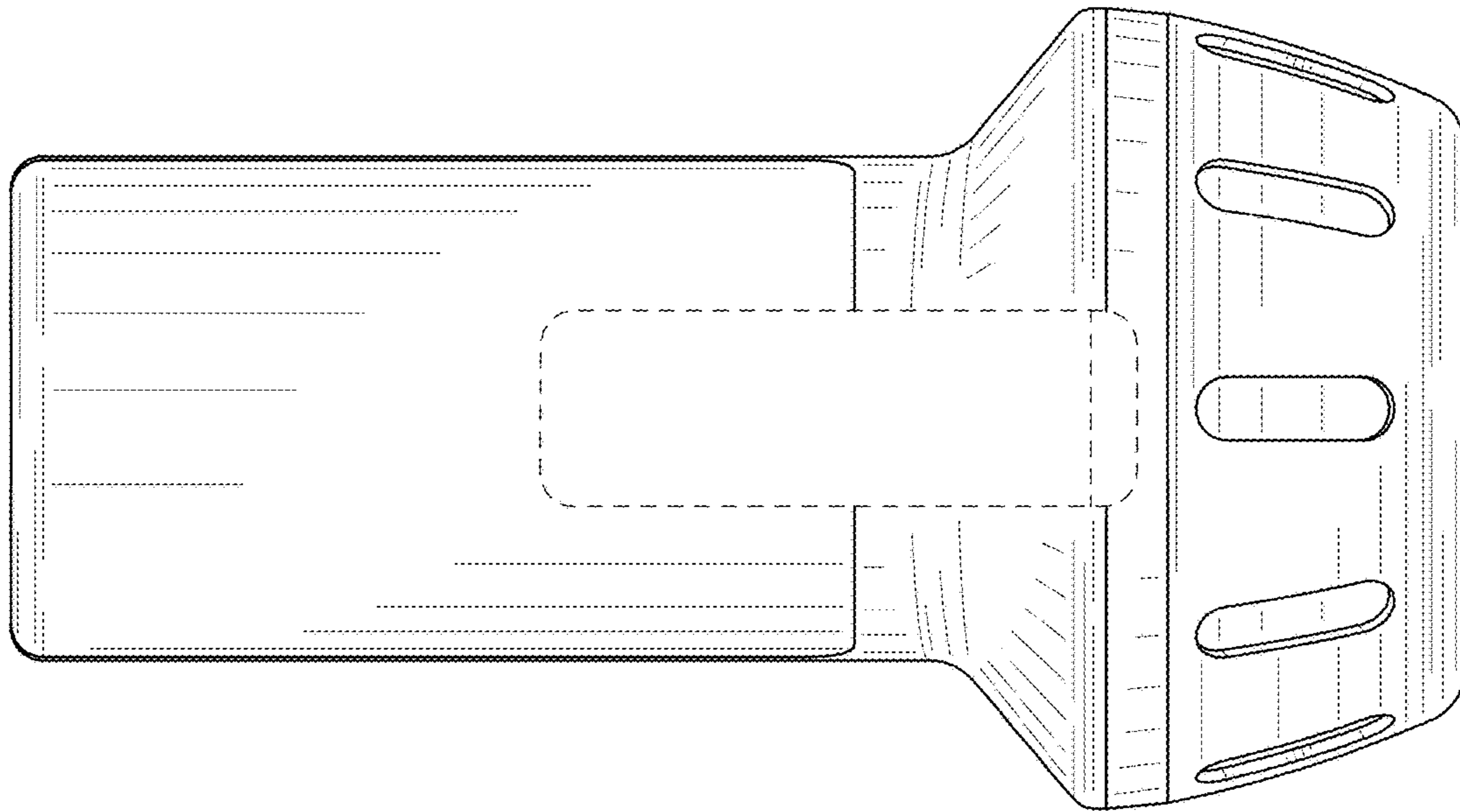


FIG. 3

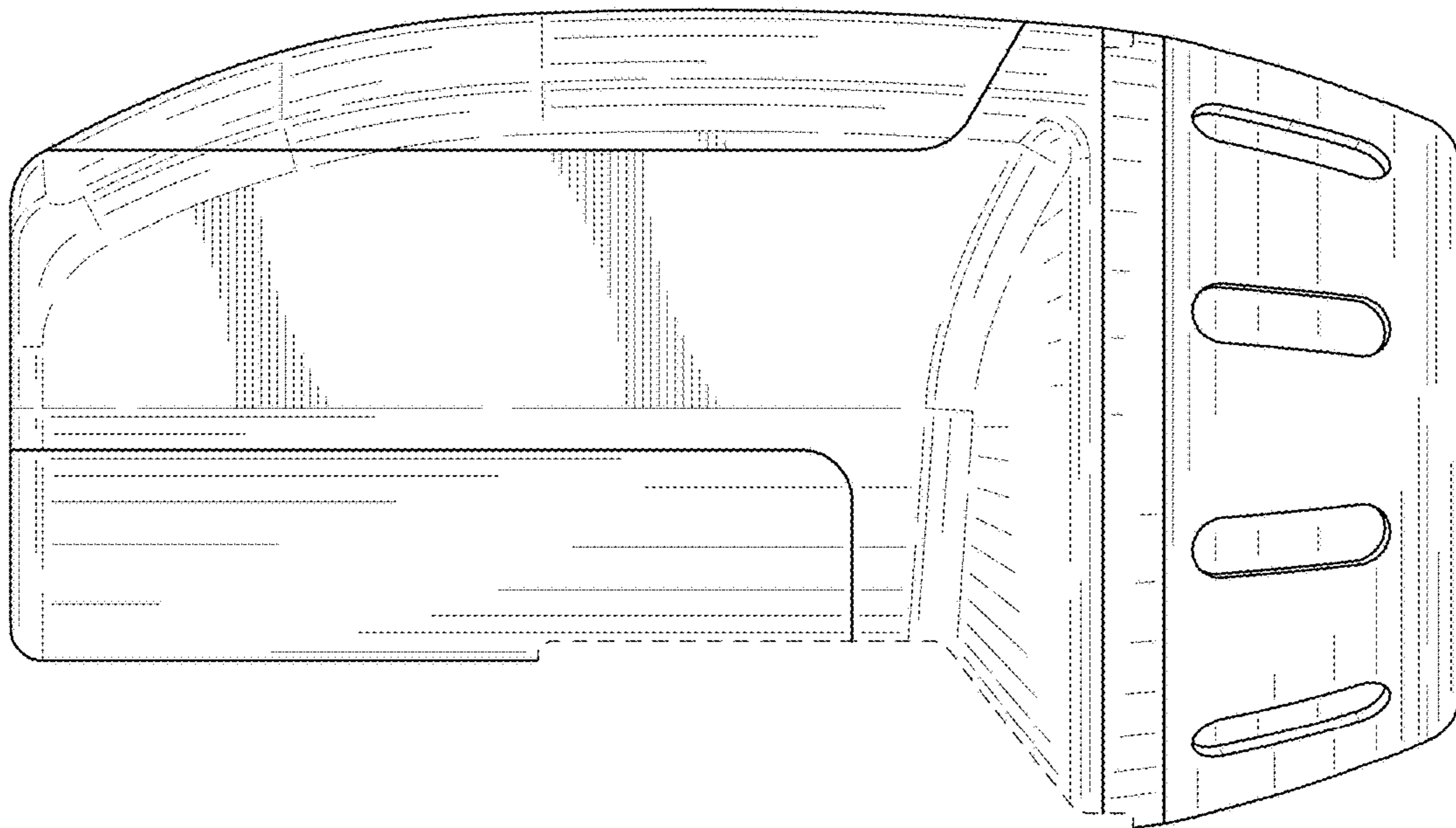


FIG. 4

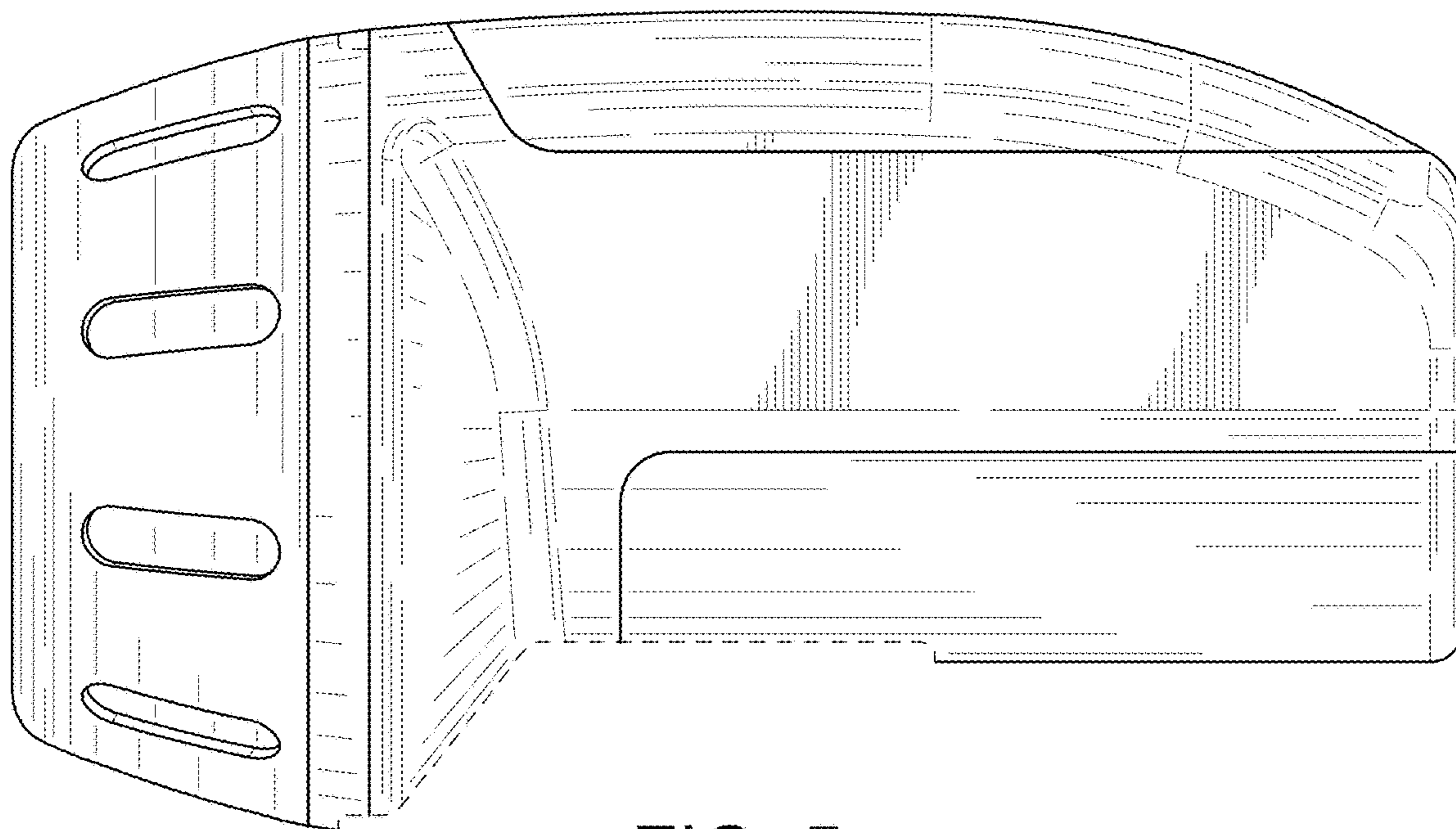


FIG. 5

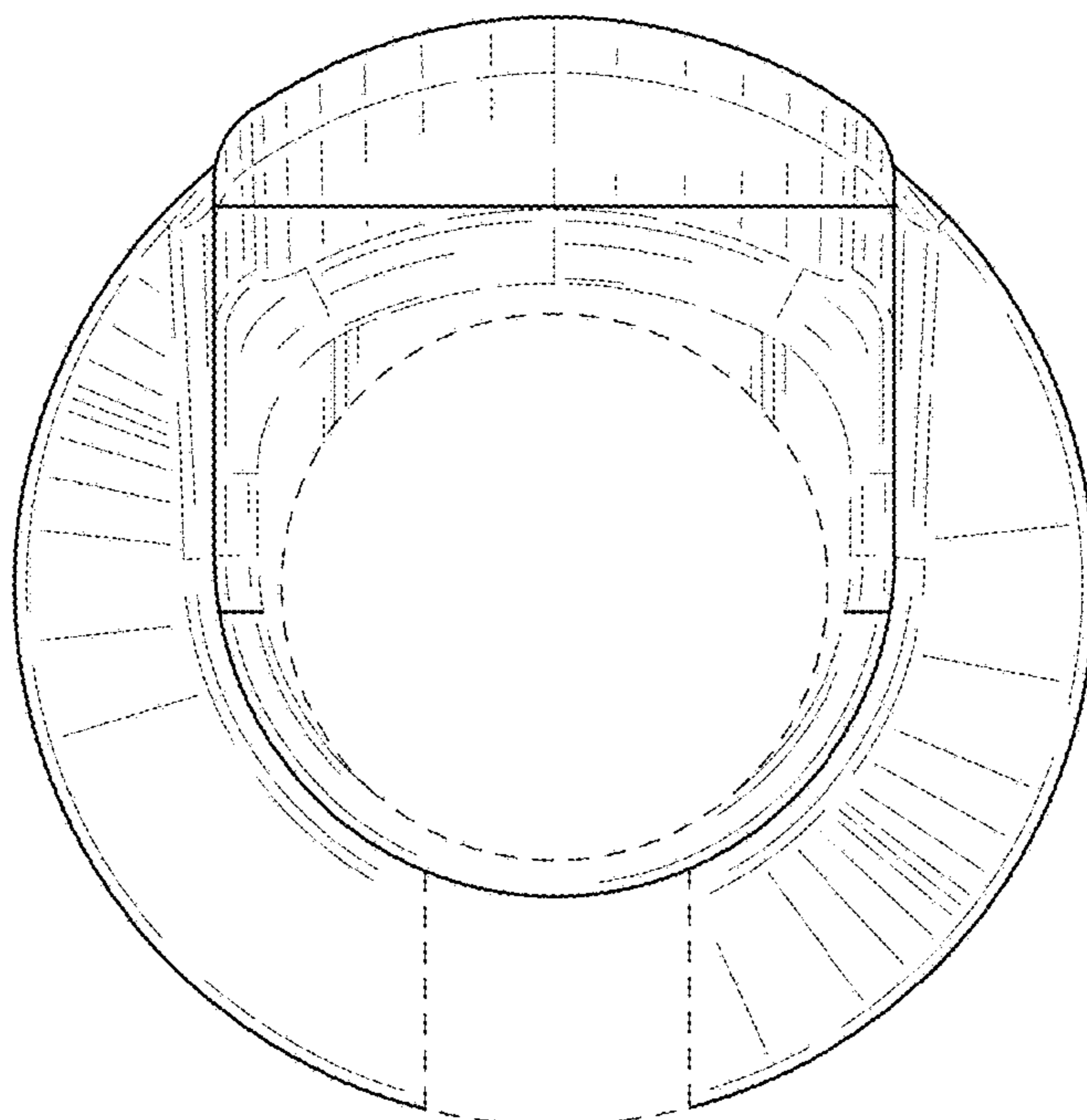


FIG. 6