



US00D797922S

(12) **United States Design Patent** (10) **Patent No.:** **US D797,922 S**
Sanders et al. (45) **Date of Patent:** **** Sep. 19, 2017**

(54) **SPACER FOR INHALER**

FOREIGN PATENT DOCUMENTS

(71) Applicant: **Clement Clarke International Limited**, Harlow, Essex (GB)

EP 1044647 10/2000
EP 1338296 4/2005

(Continued)

(72) Inventors: **Mark Sanders**, Dunstable (GB); **David Spencer**, Harlow (GB); **Ronald Bruin**, Harlow (GB)

OTHER PUBLICATIONS

(73) Assignee: **Clement Clarke International Limited**, Harlow, Essex (GB)

Flo-Tone MDI: Inhaler Training Device. Mims. Date published: Nov. 1, 2013. <<http://www.mims.co.uk/flo-tone-mdi-inhaler-training-device/respiratory-system/article/1216774>>.*

(Continued)

(**) Term: **15 Years**

Primary Examiner — Barbara Fox

(21) Appl. No.: **29/588,609**

Assistant Examiner — Lilyana Bekic

(22) Filed: **Dec. 21, 2016**

(74) *Attorney, Agent, or Firm* — Michael B. Rubin; Bozicevic, Field & Francis LLP

Related U.S. Application Data

(62) Division of application No. 29/543,459, filed on Oct. 23, 2015, now Pat. No. Des. 778,432, which is a (Continued)

(57) **CLAIM**

The ornamental design for a spacer for inhaler, as shown and described.

(30) **Foreign Application Priority Data**

DESCRIPTION

Feb. 14, 2013 (EM) 002184200-0001

(51) **LOC (10) Cl.** **29-02**

(52) **U.S. Cl.**
USPC **D24/110.5**

(58) **Field of Classification Search**
USPC D24/108, 110, 110.5, 110.6, 127, 164; D27/101, 163, 167; D17/10, 13

(Continued)

FIG. 1 is a perspective view of a spacer for inhaler showing a first embodiment of our new design, FIG. 2 is a front view of the spacer for inhaler of FIG. 1, FIG. 3 is a side view of the spacer for inhaler of FIG. 1, FIG. 4 is a top view of the spacer for inhaler of FIG. 1, FIG. 5 is a bottom view of the spacer for inhaler of FIG. 1, FIG. 6 is a perspective view of a spacer for inhaler showing a second embodiment of our new design, FIG. 7 is a front view of the spacer for inhaler of FIG. 6, FIG. 8 is a side view of the spacer for inhaler of FIG. 6, FIG. 9 is a top view of the spacer for inhaler of FIG. 6; and, FIG. 10 is a bottom view of the spacer for inhaler of FIG. 6. The broken lines in the drawings illustrate portions of the spacer for inhaler that form no part of the claimed design.

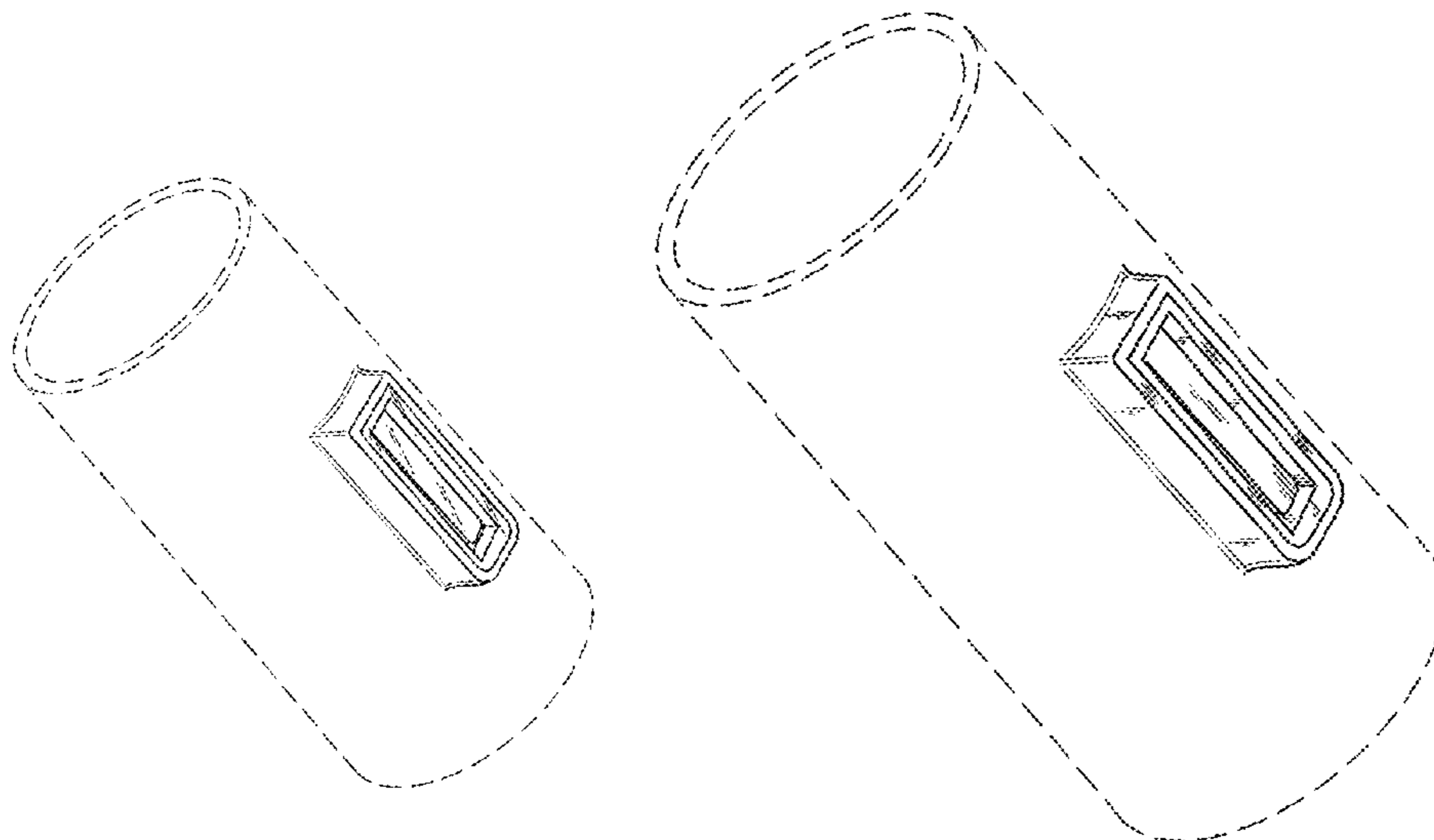
(56) **References Cited**

U.S. PATENT DOCUMENTS

3,809,294 A 5/1974 Torgeson
3,897,779 A 8/1975 Hansen

(Continued)

1 Claim, 10 Drawing Sheets



Related U.S. Application Data

division of application No. 29/457,737, filed on Jun. 12, 2013, now Pat. No. Des. 744,636.

(58) **Field of Classification Search**

CPC A61M 15/0086; A61M 15/00; A61M 2202/064; A61M 15/0065; A61M 11/002

See application file for complete search history.

(56)

References Cited

U.S. PATENT DOCUMENTS

3,994,421	A	11/1976	Hansen
D262,320	S	12/1981	Mono
4,421,120	A	12/1983	Edwards, Jr. et al.
D276,654	S	12/1984	Snellman-Wasenius et al.
5,012,803	A	5/1991	Foley et al.
5,012,804	A	5/1991	Foley et al.
5,042,467	A	8/1991	Foley
5,203,323	A	4/1993	Tritle
5,363,842	A	11/1994	Mishelevich et al.
5,477,849	A	12/1995	Fry
5,505,194	A	4/1996	Adjei et al.
D373,630	S	9/1996	Berg et al.
5,758,638	A	6/1998	Kreamer
5,848,588	A	12/1998	Foley et al.
5,855,202	A	1/1999	Andrade
5,970,973	A	10/1999	Gonda et al.
6,026,807	A	2/2000	Puderbaugh et al.
6,293,279	B1	9/2001	Schmidt et al.
6,345,617	B1	2/2002	Engelbreth et al.
6,435,176	B1	8/2002	Berg et al.
D463,544	S	9/2002	Engelbreth et al.
D480,138	S	9/2003	Engelbreth et al.
D480,806	S	10/2003	Engelbreth et al.
6,962,152	B1	11/2005	Sladek
7,360,537	B2	4/2008	Snyder et al.
7,404,400	B2	7/2008	Lulla et al.
8,074,641	B2	12/2011	Gallem et al.
8,371,291	B2	2/2013	Haroutunian
RE45,068	E	8/2014	Schmidt et al.
D744,636	S	12/2015	Sanders et al.
D775,347	S *	12/2016	Buess D24/164
D778,432	S *	2/2017	Sanders D24/110.5
D784,610	S *	4/2017	Bosch D27/101
2002/0121276	A1	9/2002	Genova et al.

2004/0094148	A1	5/2004	Lulla et al.
2005/0005929	A1	1/2005	Snyder et al.
2005/0126561	A1	6/2005	Grychowski et al.
2008/0035142	A1	2/2008	Lulla et al.
2014/0007867	A1	1/2014	Bruin et al.
2016/0049096	A1	2/2016	Bruin et al.

FOREIGN PATENT DOCUMENTS

EP	1407794	9/2009
GB	2104385	1/1985
GB	2340407	4/2000
GB	2372704	9/2004
GB	2490770	11/2012
WO	WO 8802267	4/1988
WO	WO 9730632	8/1997
WO	WO 0107107	2/2001
WO	WO 03013634	2/2003
WO	WO 03097142	11/2003

OTHER PUBLICATIONS

Clement Clarke International Exhibition Panel, Aug. 2012.
 Clement Clarke International Flo-Tone Animation (Video) Aug. 28, 2012: <http://web.archive.org/web/20120902053422/http://www.flo-tone.com/index.html>.
 Clement Clarke International Flo-Tone website p. 2 "About" Aug. 28, 2012: <http://web.archive.org/web/20120902082224/http://www.flo-tone.com/page2.html>.
 Clement Clarke International Flo-Tone website p. 2 "Home" Aug. 28, 2012: <http://web.archive.org/web/20120902053422/http://www.flo-tone.com/index.html>.
 Clement Clarke International Flo-Tone website p. 3 "How to Use" Aug. 28, 2012: <http://web.archive.org/web/20120902060851/http://www.flo-tone.com/page3.html>.
 Clement Clarke International Flo-Tone website p. 4 "Sample" Aug. 28, 2012: <http://web.archive.org/web/20120902053426/http://www.flo-tone.com/page4.html>.
 Clement Clarke International Flo-Tone website p. 5 "Contact" Aug. 28, 2012: <http://web.archive.org/web/20120902081340/http://www.flo-tone.com/page5.html>.
 Clement Clarke International Promotional Card "In-Check Flo-Tone", Aug. 2012.

* cited by examiner

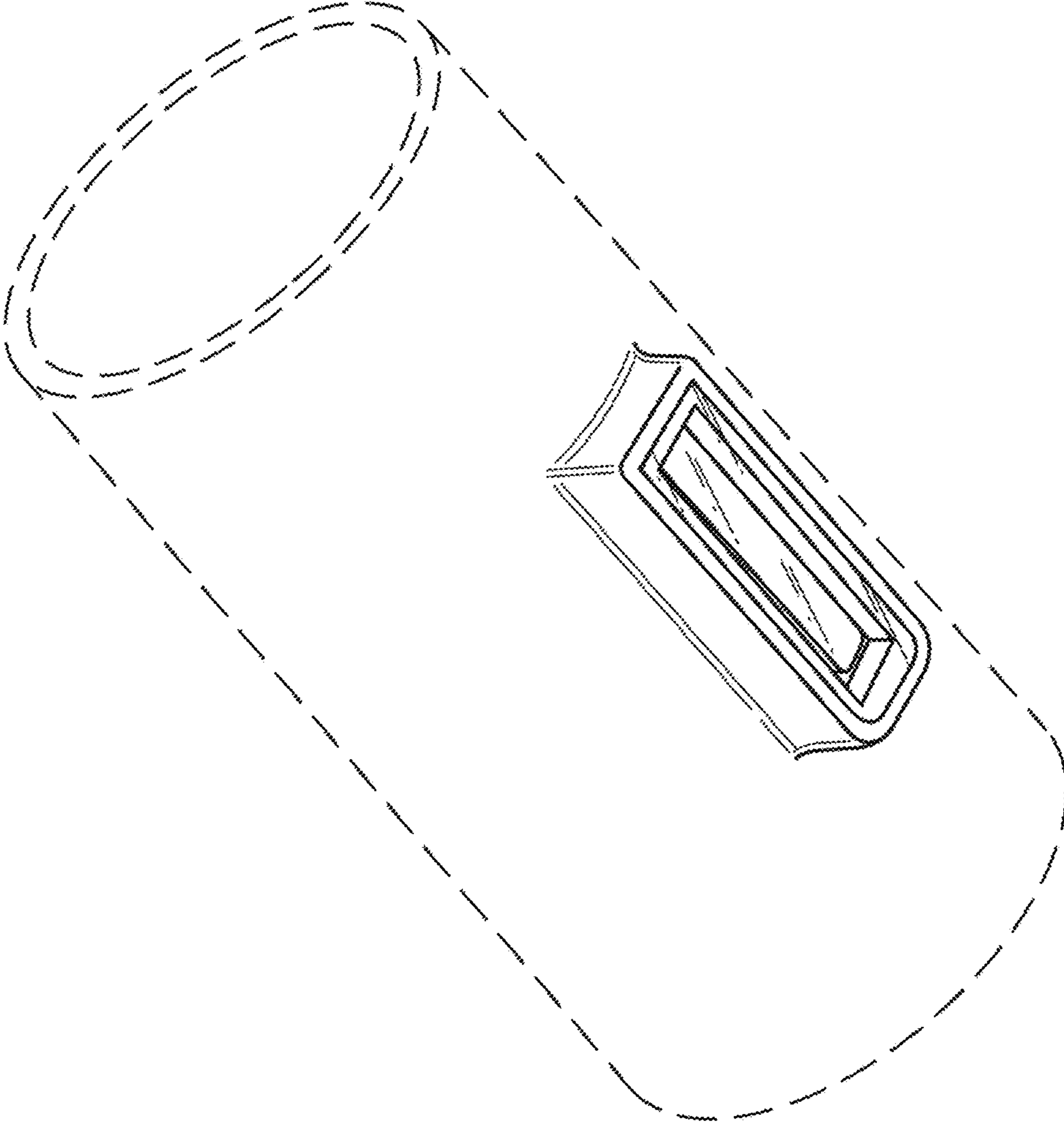


FIG. 1

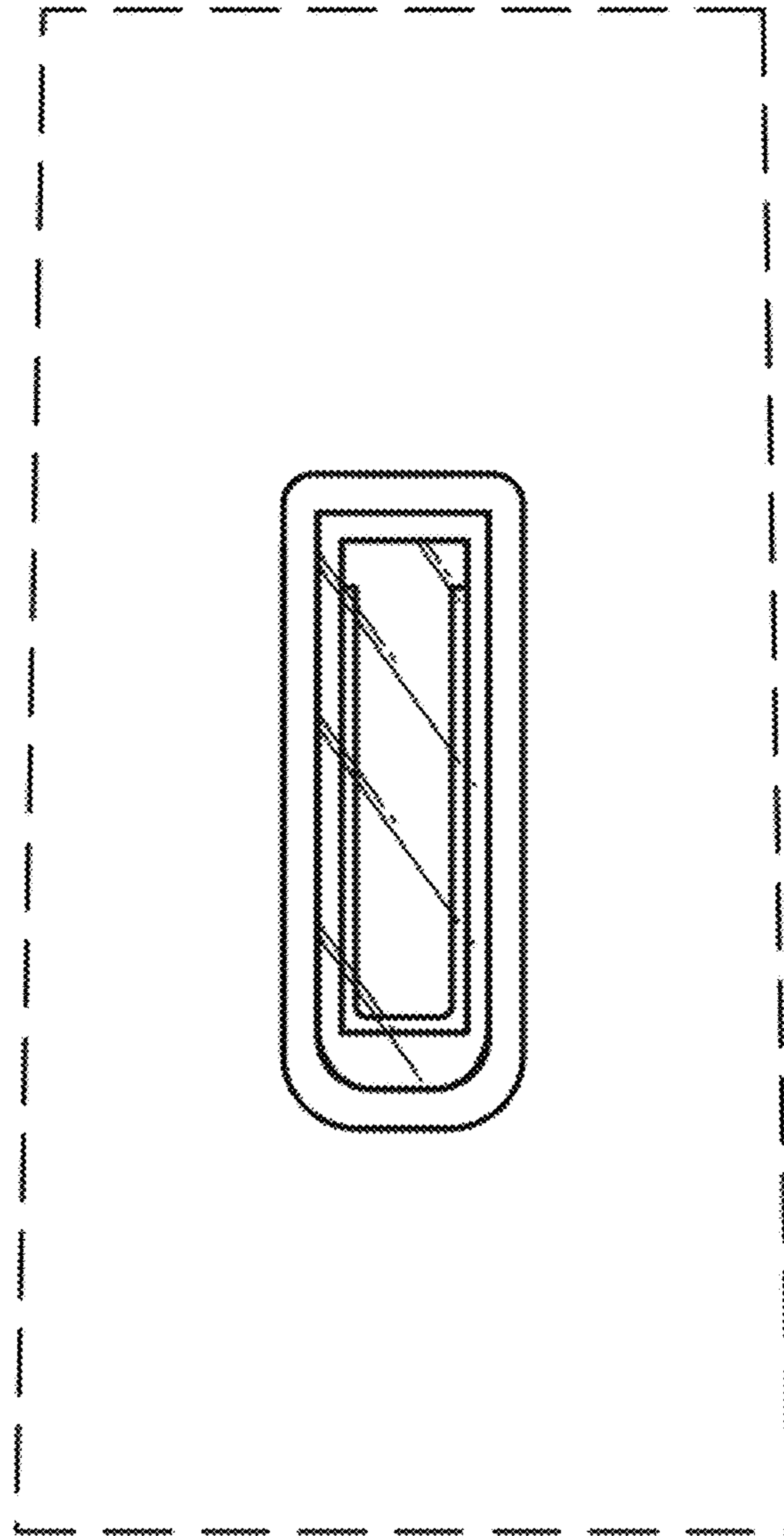


FIG. 2

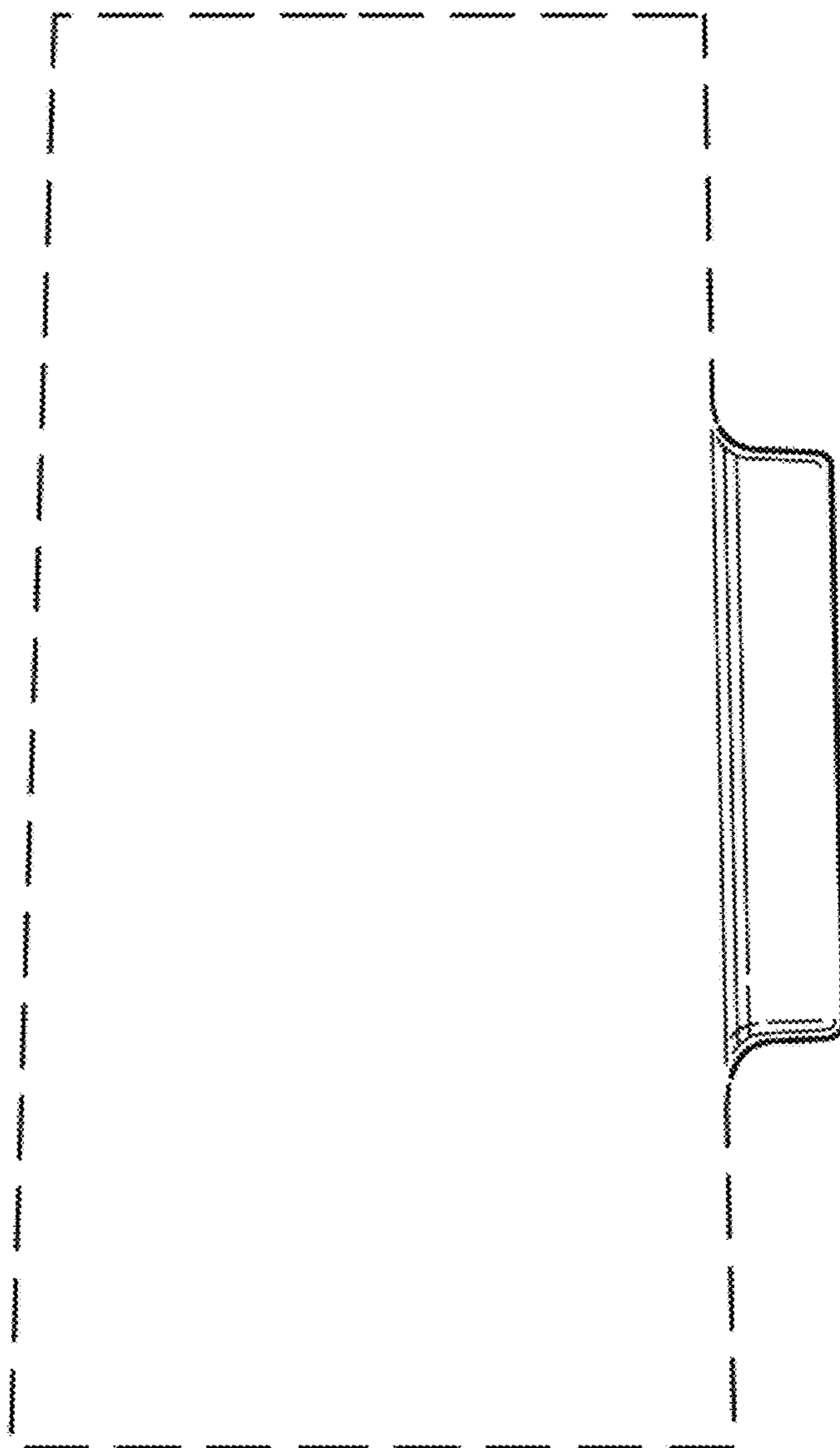


FIG. 3

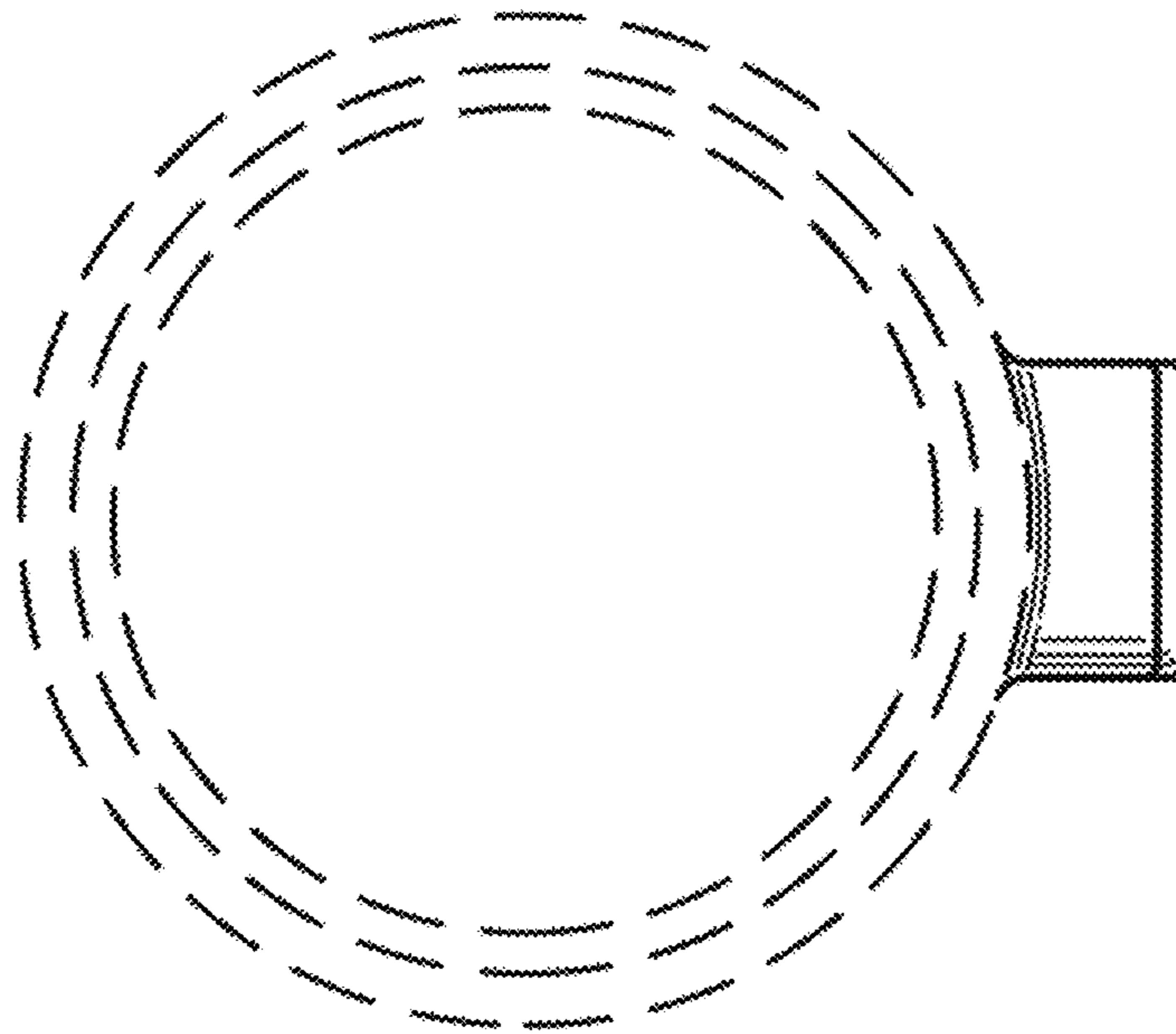


FIG. 4

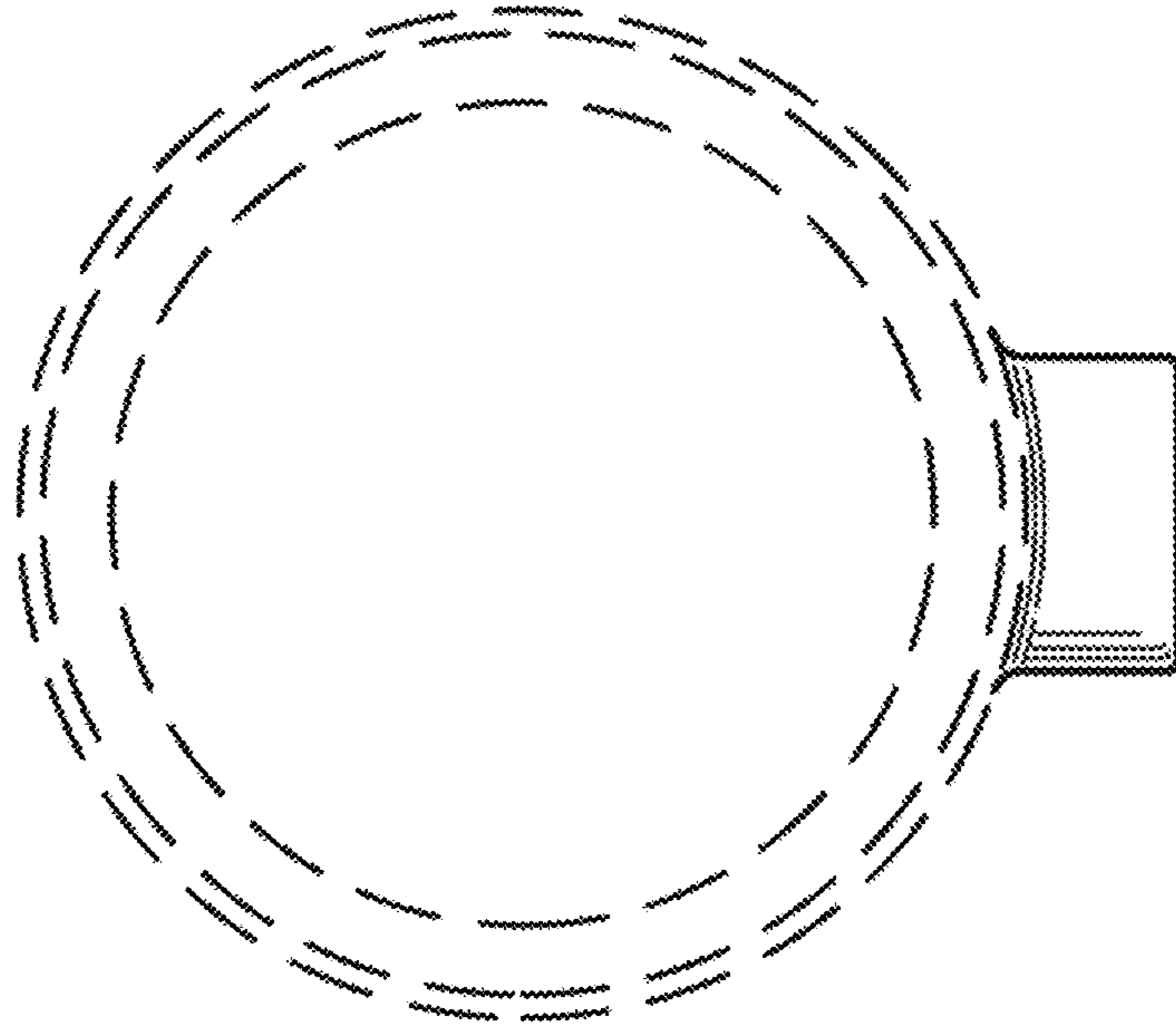


FIG. 5

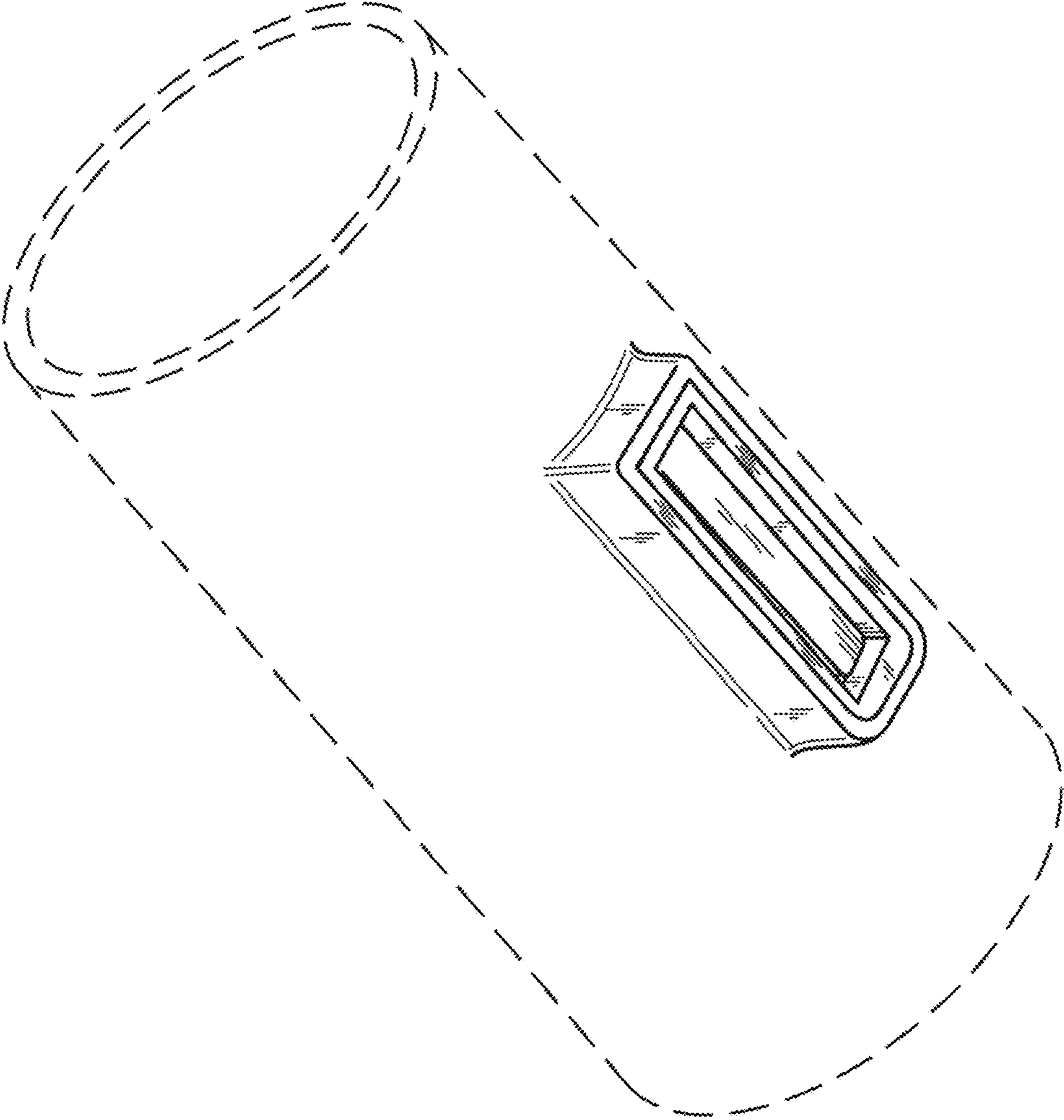


FIG. 6

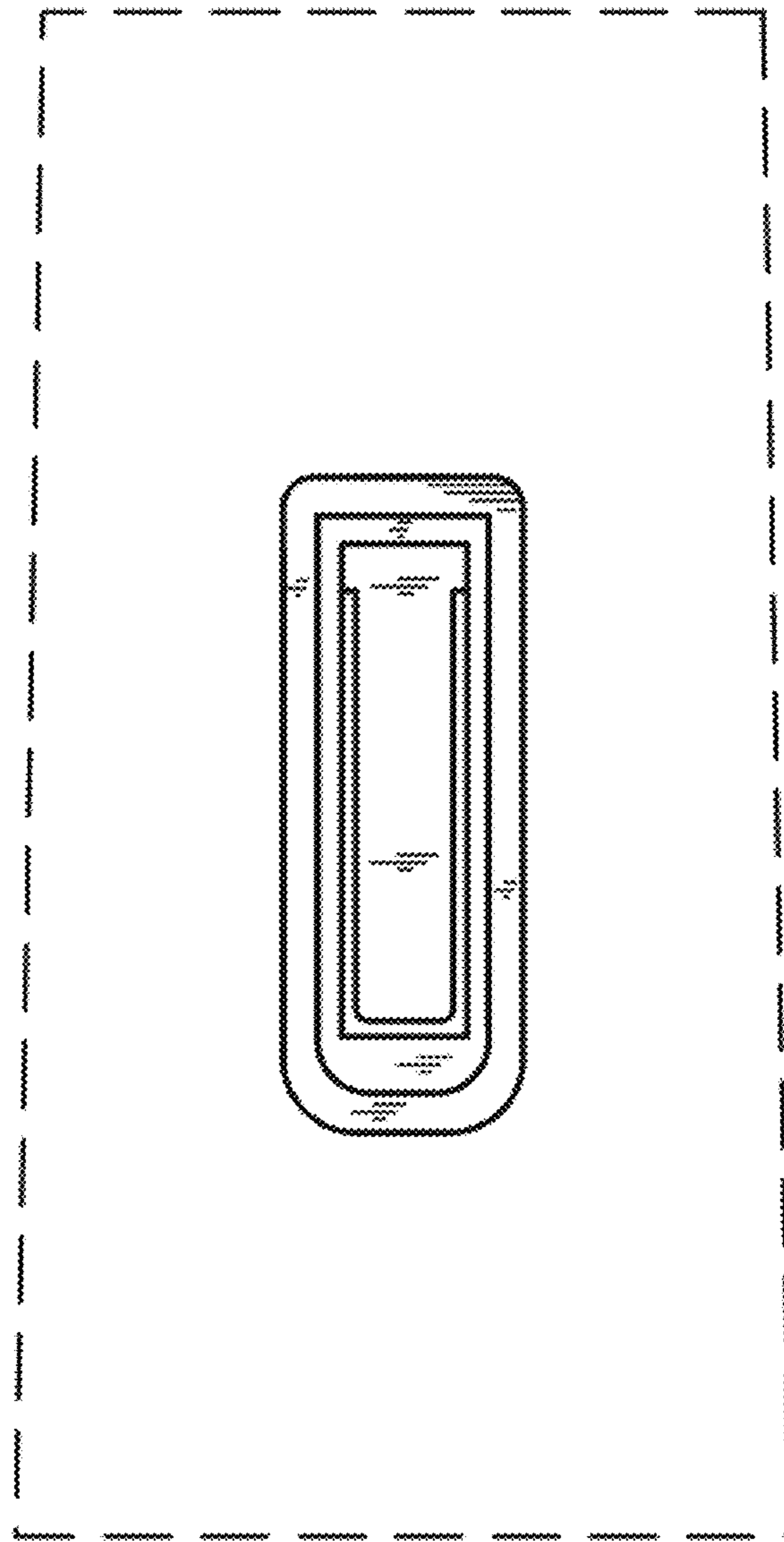


FIG. 7

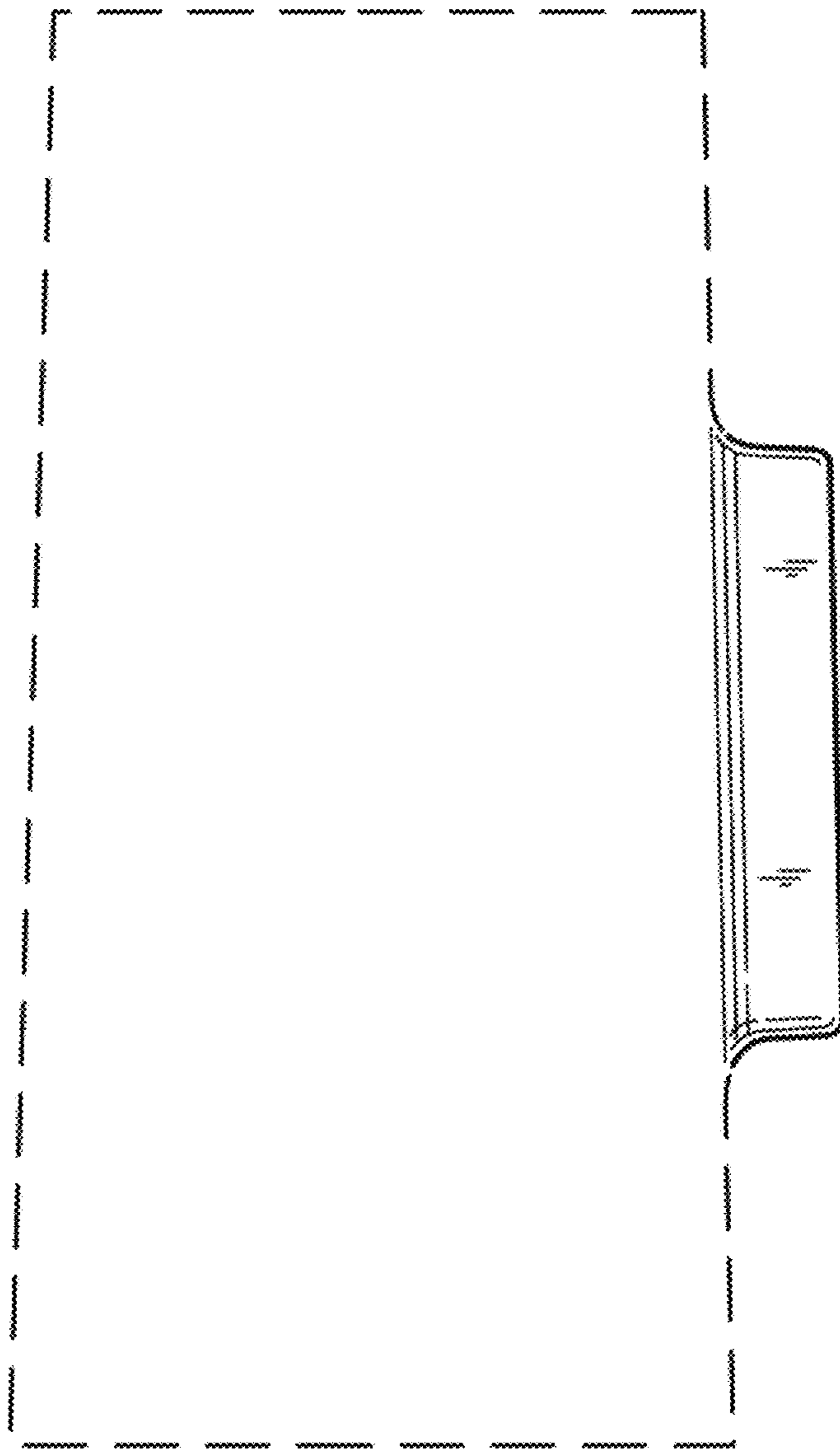


FIG. 8

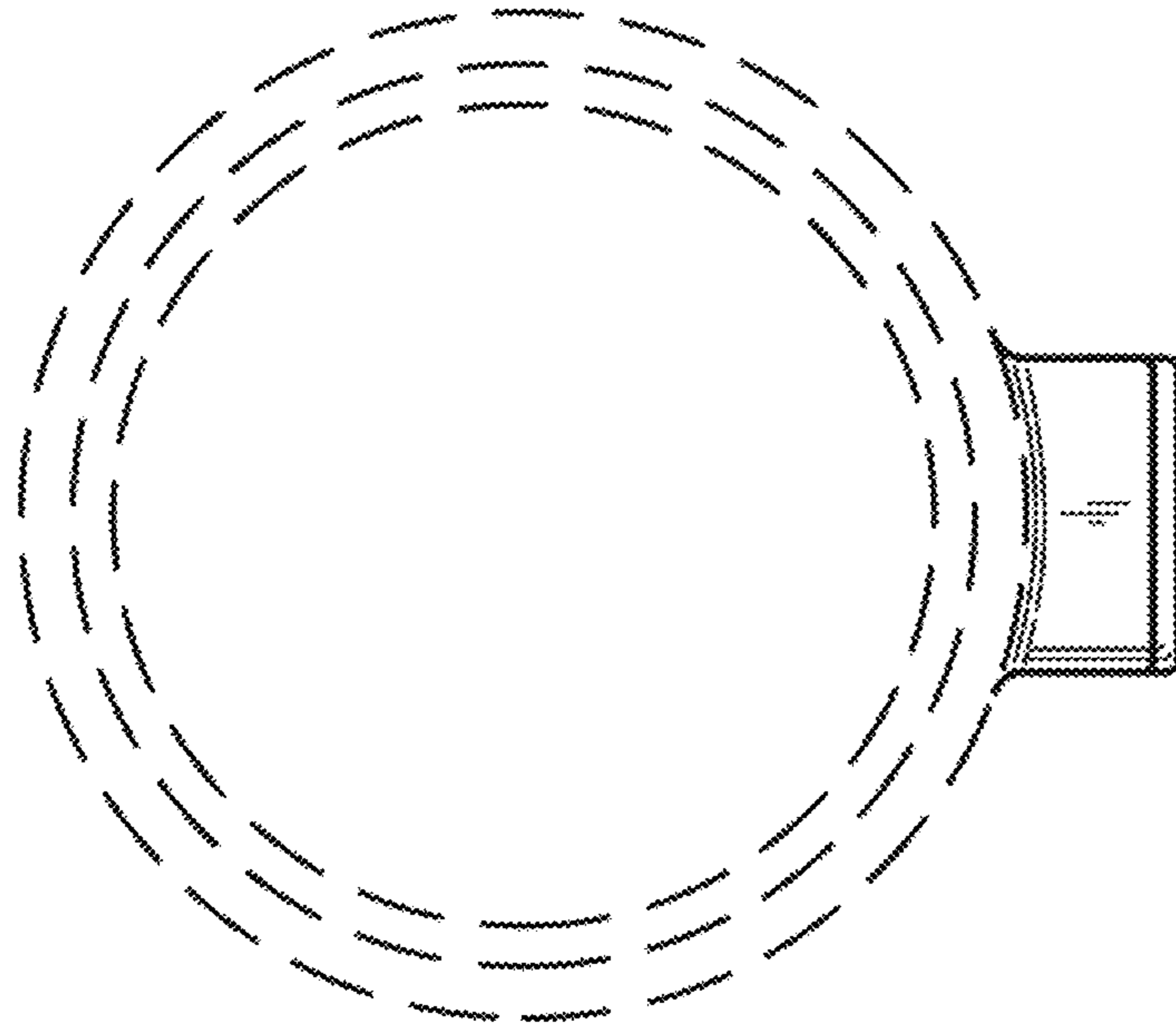


FIG. 9

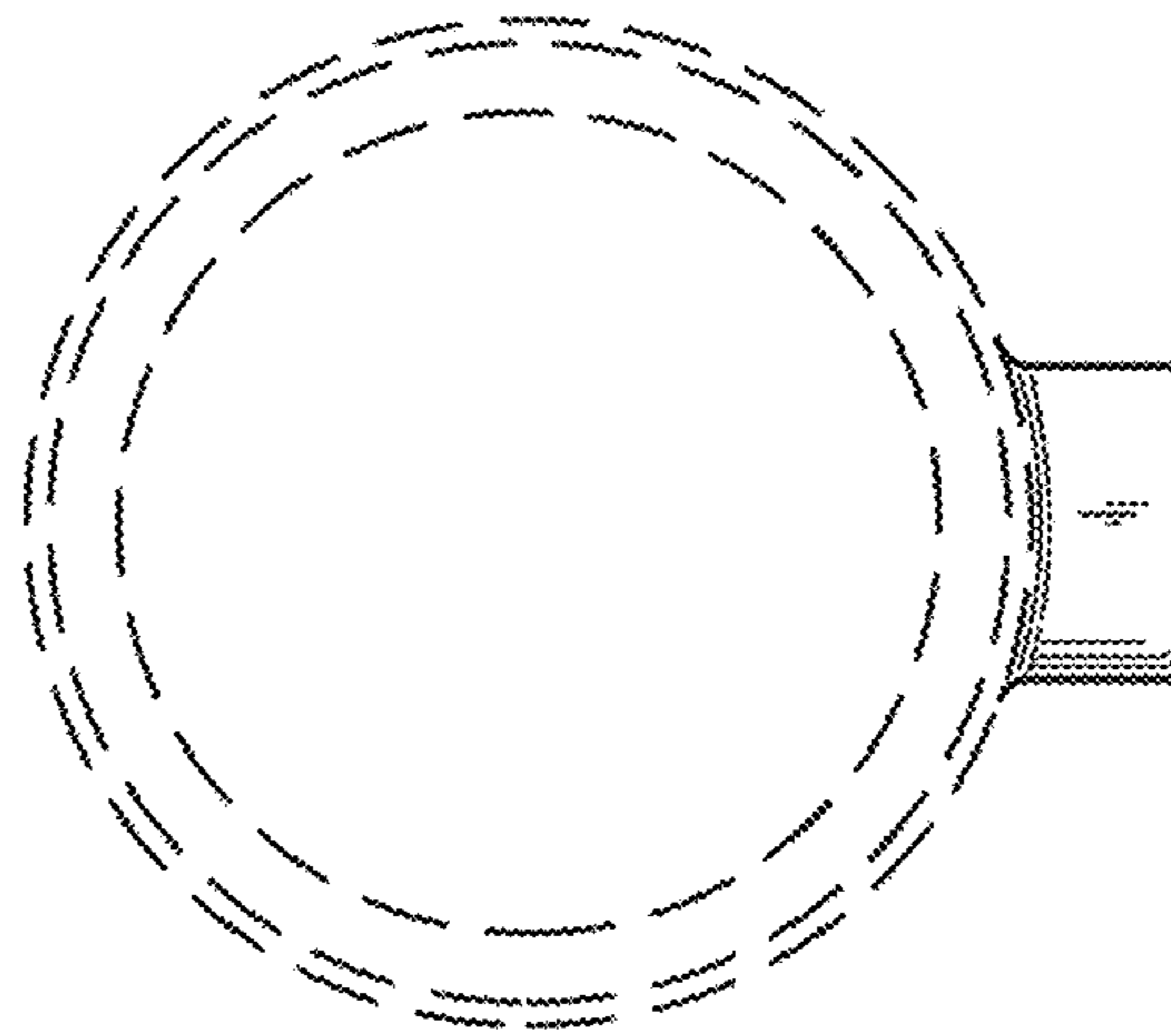


FIG. 10