



US00D797921S

(12) **United States Design Patent**
Huang et al.

(10) **Patent No.: US D797,921 S**

(45) **Date of Patent: ** Sep. 19, 2017**

(54) **BREATHING APPARATUS**
(71) Applicant: **FISHER & PAYKEL HEALTHCARE LIMITED**, Auckland (NZ)
(72) Inventors: **Wen Dong Huang**, Auckland (NZ); **Arvin San Jose Gardiola**, Auckland (NZ); **Matthew Roger Stephenson**, London (GB); **Toong Lim**, Auckland (NZ); **Bruce Michael Walls**, Auckland (NZ); **Jeremy Owen Young**, Auckland (NZ)

D549,322 S 8/2007 Stallard et al.
D550,352 S 9/2007 Chandran et al.
D555,785 S 11/2007 McAuley et al.
D557,411 S 12/2007 Smart et al.
D558,334 S 12/2007 Stallard et al.
D582,546 S 12/2008 Fujiura et al.
D583,047 S 12/2008 Chandran et al.
D583,930 S 12/2008 McAuley et al.
D586,458 S 2/2009 Kooij et al.
D586,906 S 2/2009 Stallard
D595,841 S 7/2009 McAuley et al.
D597,199 S 7/2009 Smart et al.

(Continued)

(73) Assignee: **Fisher & Paykel Healthcare Limited**, Auckland (NZ)

FOREIGN PATENT DOCUMENTS

WO WO 01/97892 12/2001
WO WO 2007/022562 3/2007

(**) Term: **14 Years**

(Continued)

(21) Appl. No.: **29/508,627**

Primary Examiner — Barbara Fox
Assistant Examiner — Lilyana Bekic

(22) Filed: **Nov. 7, 2014**

(74) *Attorney, Agent, or Firm* — Knobbe, Martens, Olson & Bear, LLP

(51) **LOC (10) Cl.** **29-02**

(52) **U.S. Cl.**
USPC **D24/110.4**

(57) **CLAIM**

(58) **Field of Classification Search**
USPC D24/110–110.5, 127; D29/108, 122
CPC A61M 16/0622; A61M 16/0616; A61M 16/0605; A61M 16/0644; A61M 16/0633; A61M 16/06; A61M 16/0683

The ornamental design for a breathing apparatus, as shown and described.

See application file for complete search history.

DESCRIPTION

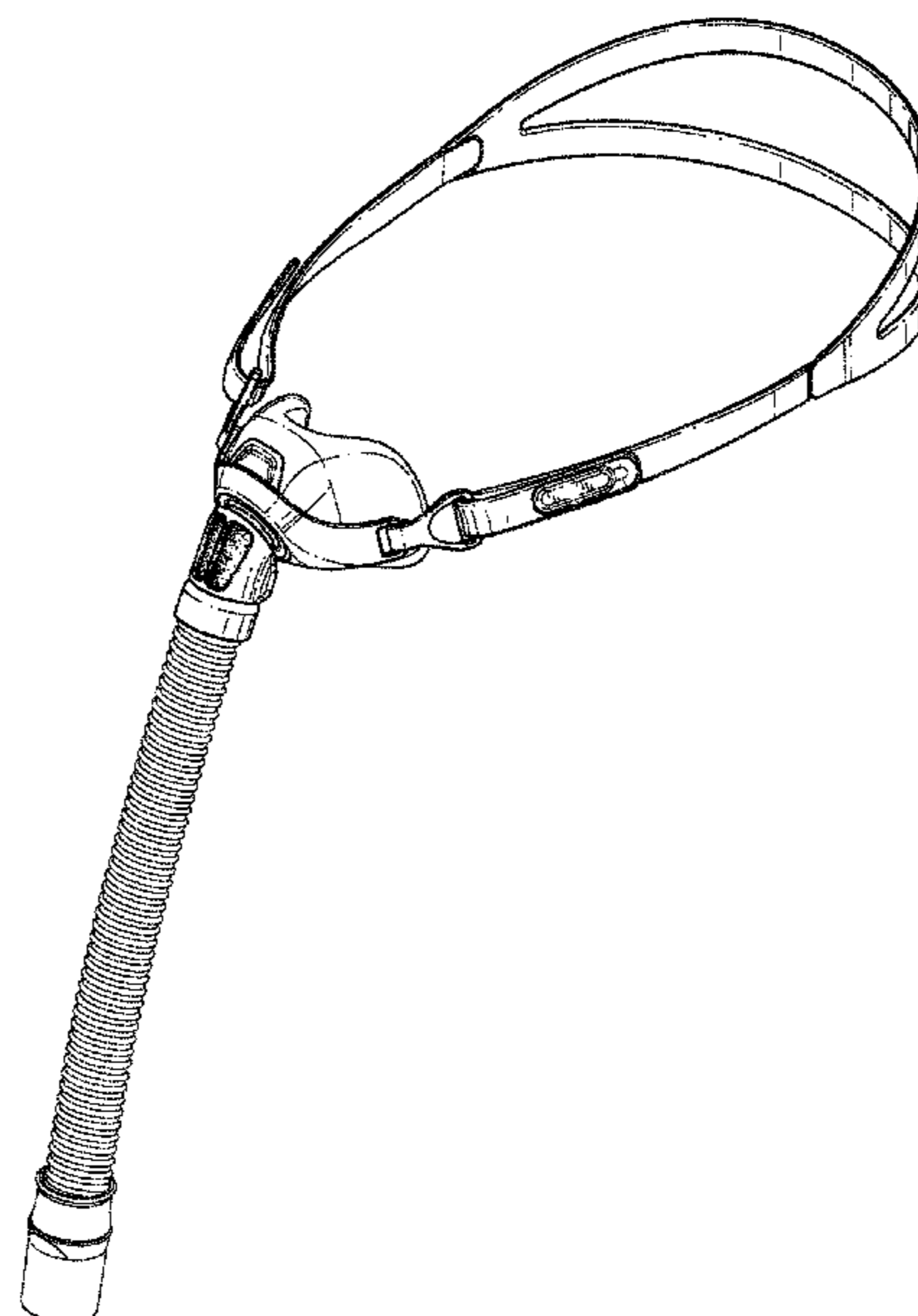
(56) **References Cited**

FIG. 1 is a front, top and side perspective view of a breathing apparatus showing our new design.
FIG. 2 is a front view of the breathing apparatus of FIG. 1.
FIG. 3 is a rear view of the breathing apparatus of FIG. 1.
FIG. 4 is a top view of the breathing apparatus of FIG. 1.
FIG. 5 is a bottom view of the breathing apparatus of FIG. 1; and,
FIG. 6 is a right side view of the breathing apparatus of FIG. 1, the left side being a mirror image of the right side.

U.S. PATENT DOCUMENTS

D399,950 S 10/1998 Shepard
6,374,826 B1 4/2002 Gunaratnam et al.
D476,732 S 7/2003 Smart
D479,876 S 9/2003 Gradon et al.
D485,905 S 1/2004 Moore et al.
D486,226 S 2/2004 Guney

1 Claim, 6 Drawing Sheets



(56)

References Cited

U.S. PATENT DOCUMENTS

D597,661 S 8/2009 Reid et al.
 D612,483 S 3/2010 Chang
 D612,932 S 3/2010 Davidson et al.
 D614,289 S 4/2010 Veliss et al.
 D614,763 S 4/2010 Maurer et al.
 D615,187 S 5/2010 Bowden
 D618,399 S 6/2010 Manzo
 D624,642 S 9/2010 Collazo et al.
 7,861,718 B2 1/2011 Janbakhsh et al.
 D639,419 S 6/2011 Eves et al.
 D639,932 S 6/2011 D'Souza et al.
 D645,955 S 9/2011 Kooij et al.
 D653,328 S 1/2012 Eves et al.
 D659,237 S 5/2012 Lubke et al.
 D665,494 S 8/2012 Stallard et al.
 D669,576 S 10/2012 Smart et al.
 D691,257 S 10/2013 Siew et al.
 D692,554 S * 10/2013 Siew D24/110.1
 D737,953 S * 9/2015 Wells D24/110
 D770,036 S * 10/2016 Walls D24/110.4
 2010/0122701 A1 5/2010 Gunaratnam et al.
 2010/0313891 A1 12/2010 Veliss et al.
 2011/0000492 A1 * 1/2011 Veliss A61M 16/0666
 128/207.13
 2011/0146685 A1 * 6/2011 Allan A61M 16/06
 128/205.25
 2011/0232649 A1 * 9/2011 Collazo A61M 16/06
 128/207.18
 2012/0012114 A1 1/2012 Chandran et al.
 2012/0067349 A1 * 3/2012 Barlow A61M 16/06
 128/205.25
 2012/0090622 A1 * 4/2012 Chang A61M 16/0666
 128/207.18
 2012/0138060 A1 * 6/2012 Barlow A61M 16/0666
 128/205.25

2013/0042871 A1 * 2/2013 Chang A61M 16/06
 128/205.25
 2013/0186403 A1 * 7/2013 Chang A61M 16/0666
 128/205.25
 2013/0199537 A1 * 8/2013 Formica A61M 16/06
 128/205.25
 2013/0220327 A1 * 8/2013 Barlow A61M 16/0683
 128/205.25
 2014/0000614 A1 * 1/2014 Chang A61M 16/0666
 128/205.25
 2014/0026890 A1 * 1/2014 Haskard A61M 16/0683
 128/207.11
 2014/0283843 A1 * 9/2014 Eves A61M 11/00
 128/206.24
 2015/0151071 A1 * 6/2015 Von Moger A61M 39/1055
 128/202.27
 2015/0224274 A1 * 8/2015 Siew A61M 16/0683
 128/206.24
 2016/0051784 A1 * 2/2016 Eury A61M 16/0666
 128/207.18
 2016/0074611 A1 * 3/2016 Higgins A61M 16/0666
 128/206.24
 2016/0074614 A1 * 3/2016 Huddart A61M 16/0683
 128/204.18
 2016/0082217 A1 * 3/2016 McLaren A61M 16/0683
 128/207.11
 2016/0151596 A1 * 6/2016 Slight A61M 16/0622
 128/207.18
 2016/0287830 A1 * 10/2016 Walls A61M 16/0683
 2017/0065786 A1 * 3/2017 Stephenson A61M 16/06

FOREIGN PATENT DOCUMENTS

WO WO 2009/139647 11/2009
 WO WO 2010/131189 11/2010
 WO WO 2011/059346 5/2011

* cited by examiner

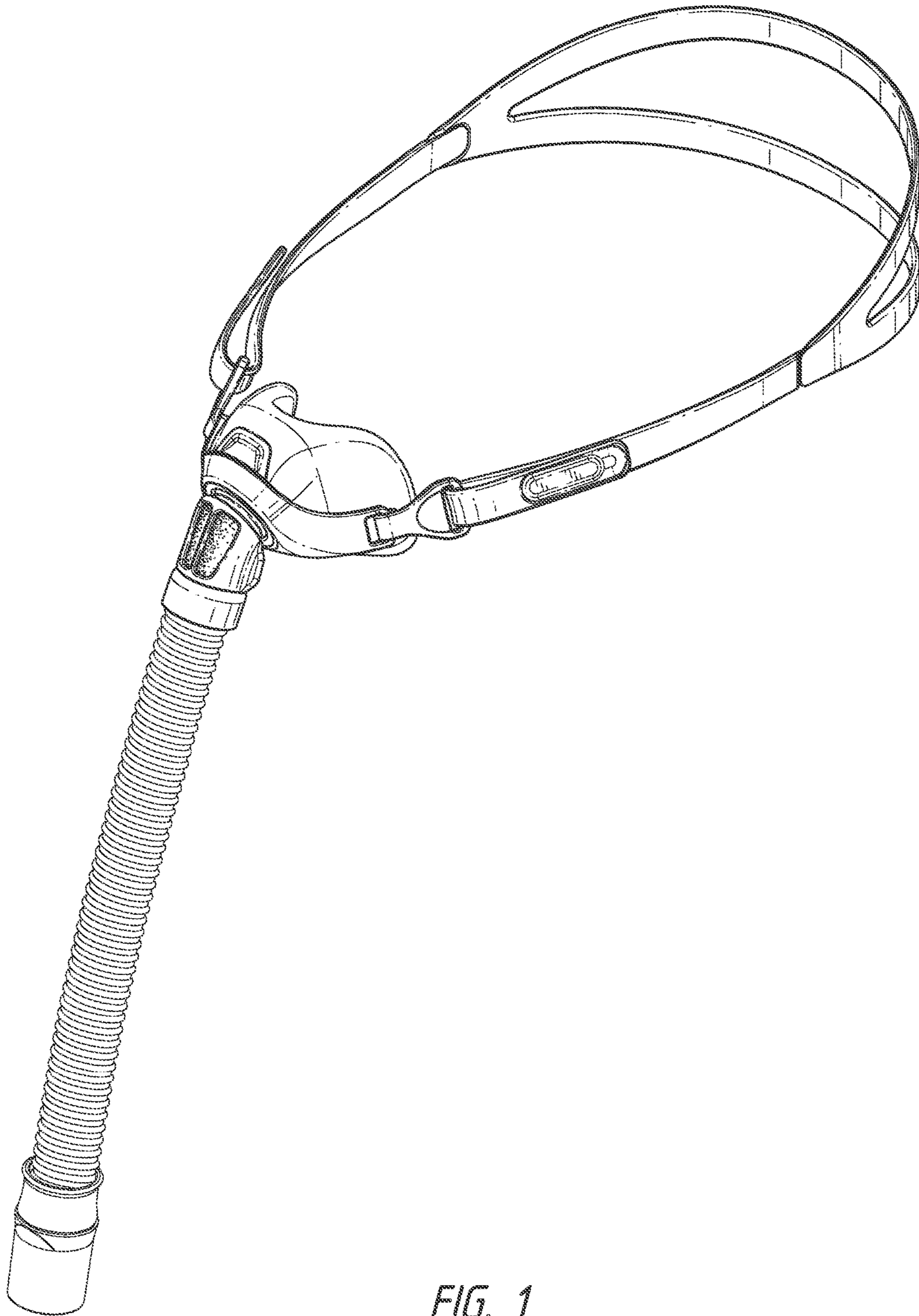


FIG. 1

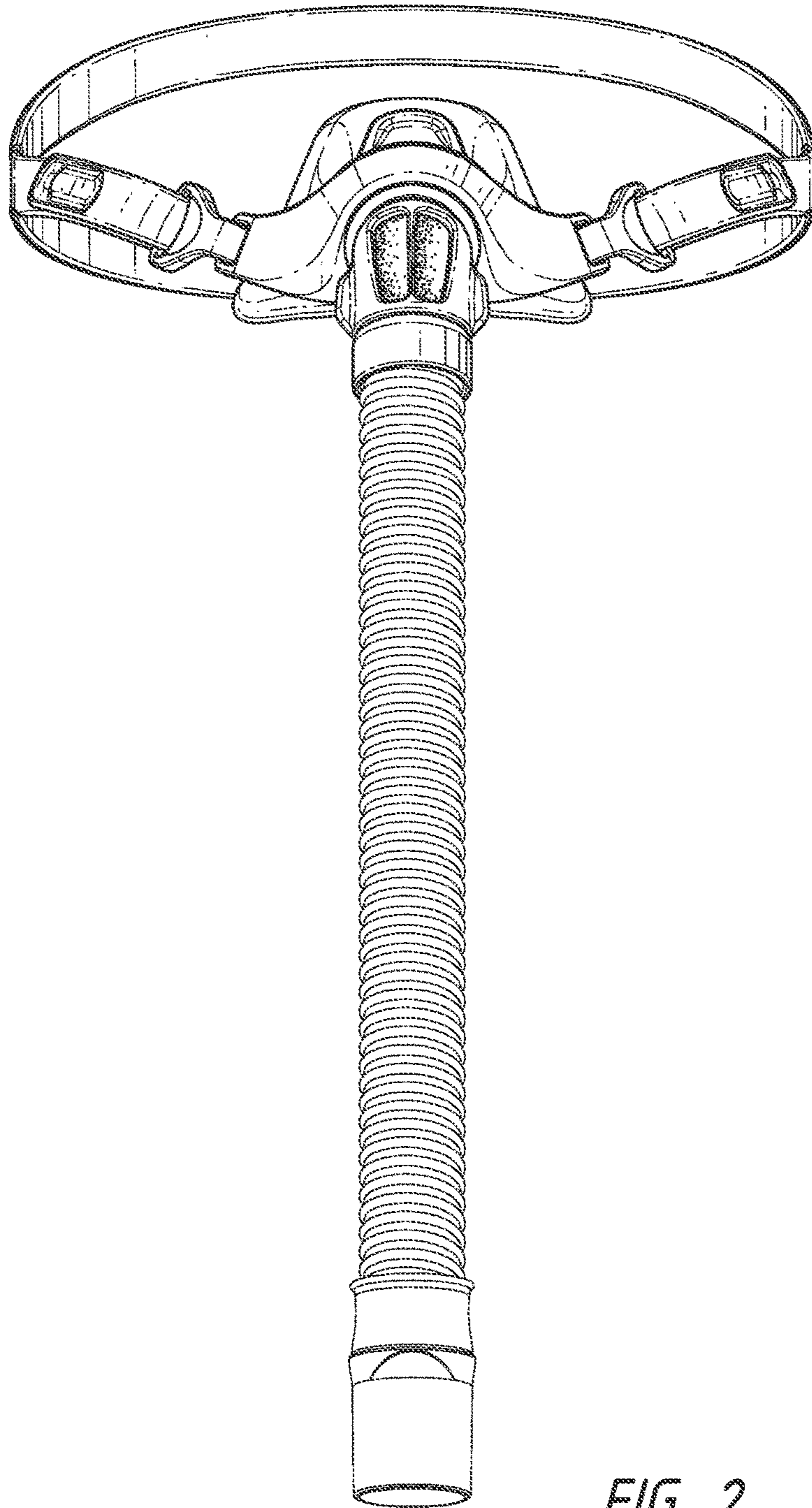


FIG. 2

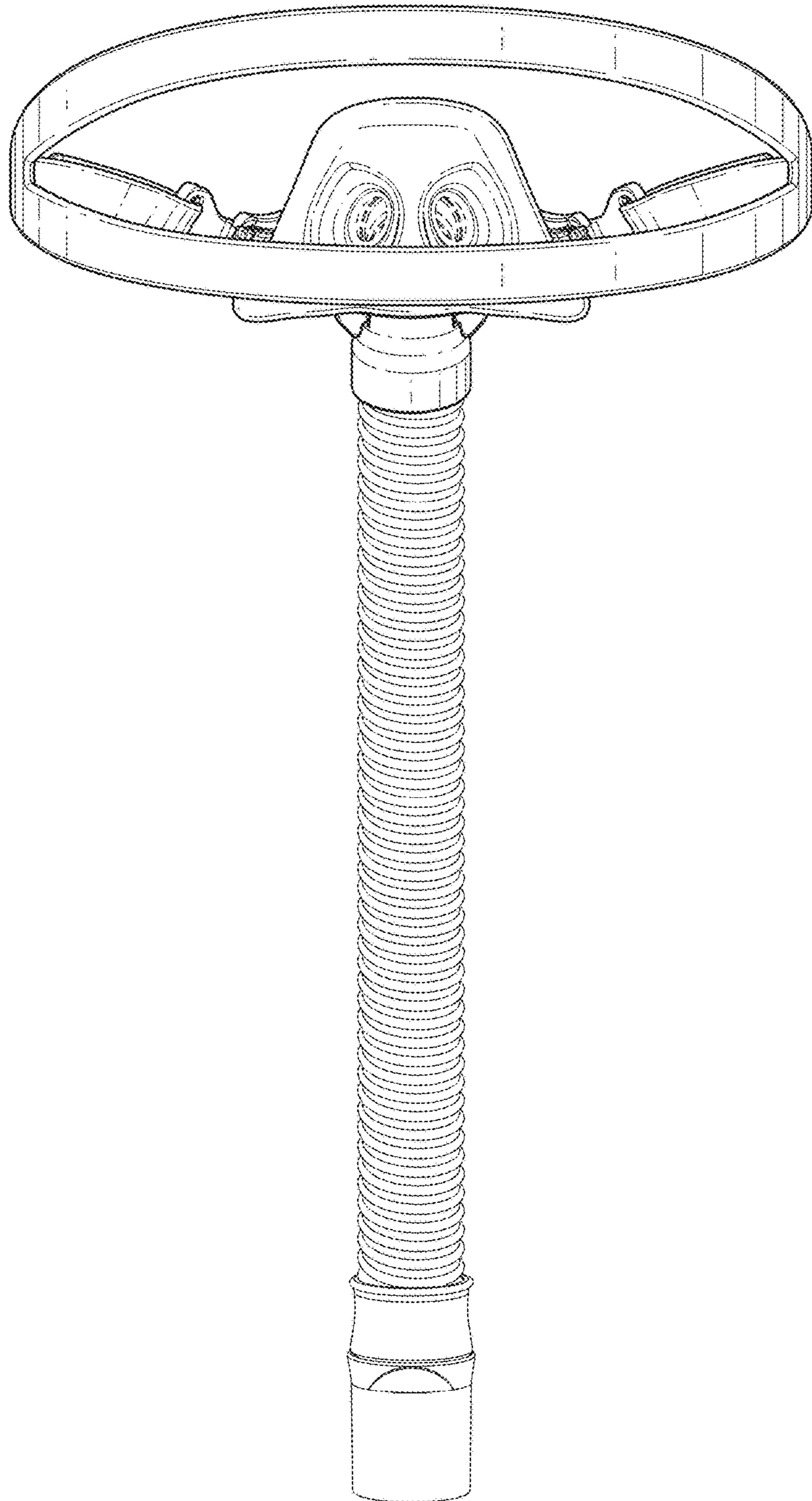


FIG. 3

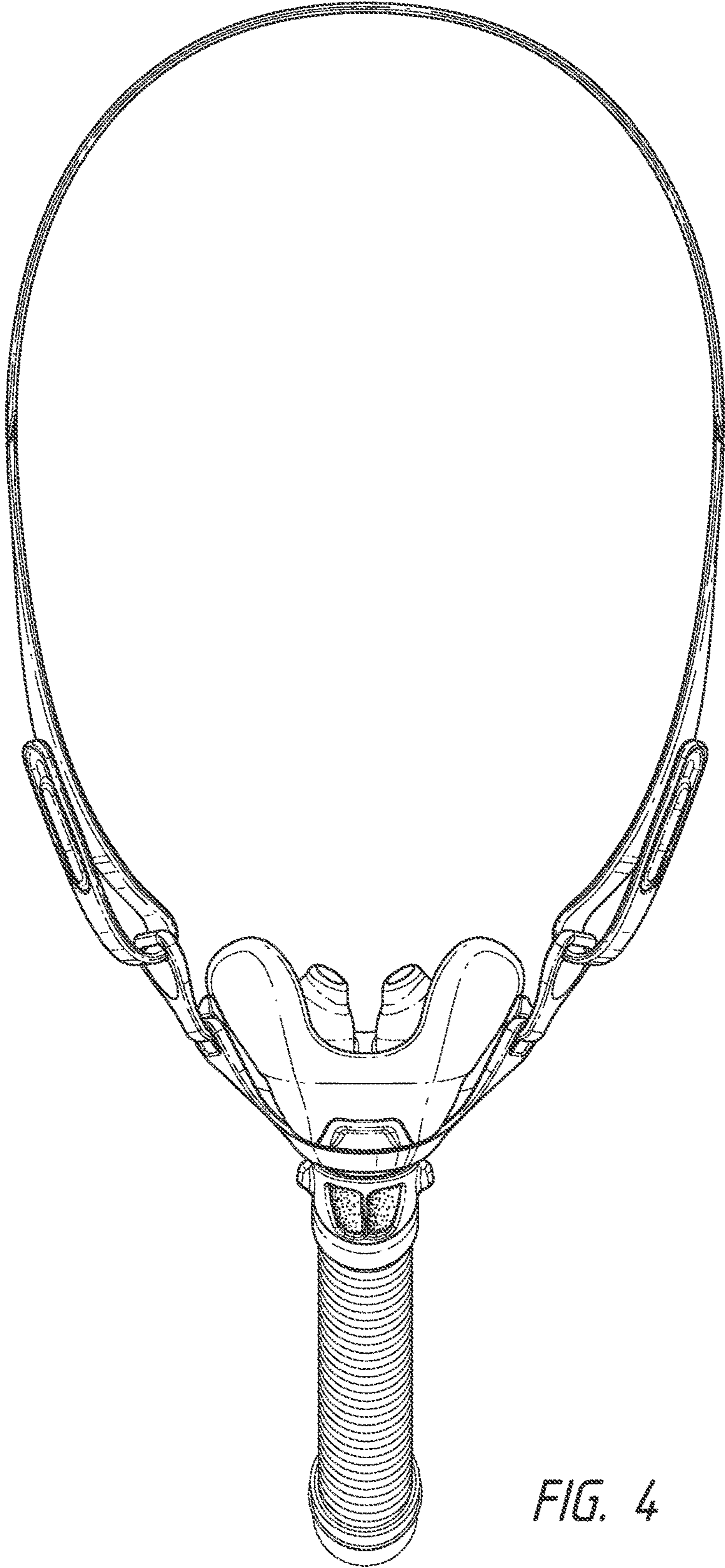


FIG. 4

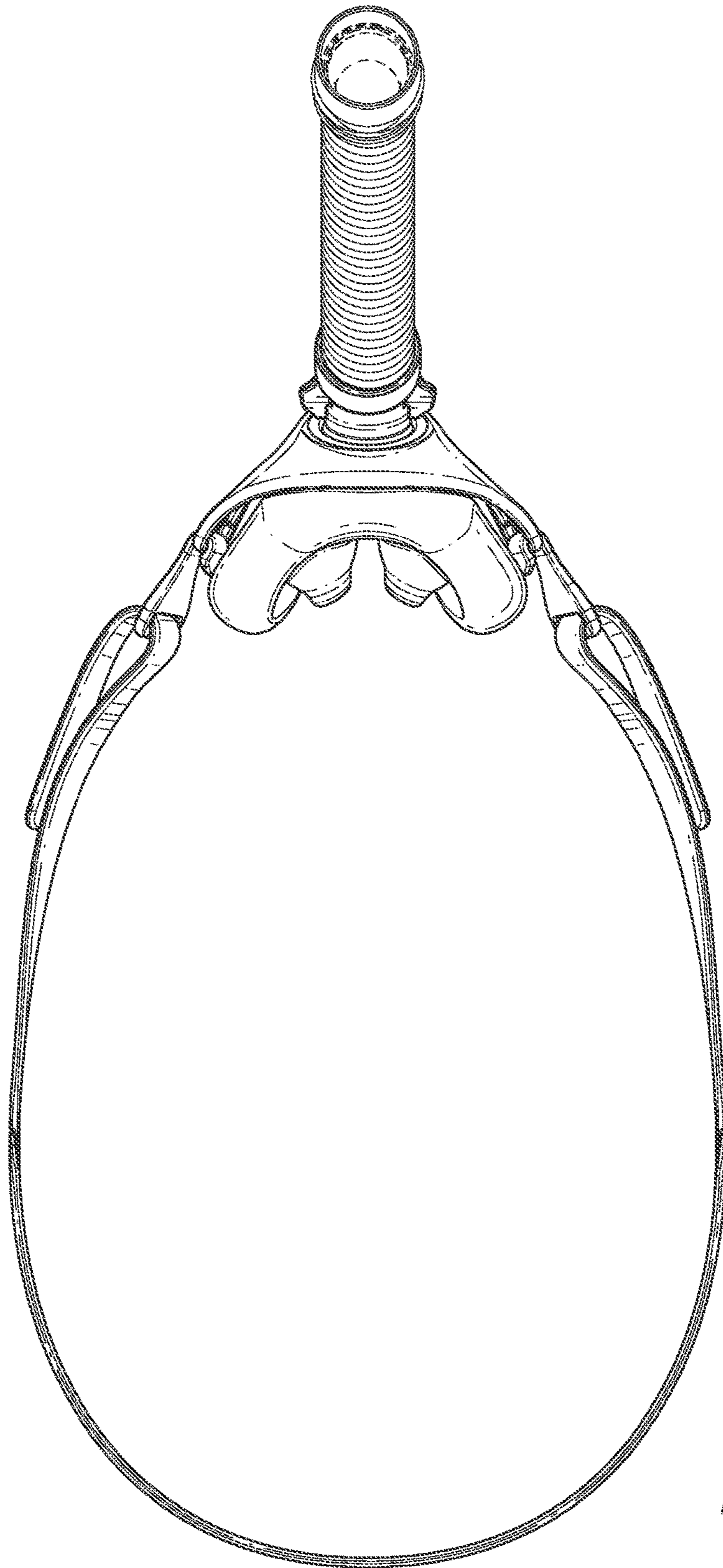


FIG. 5

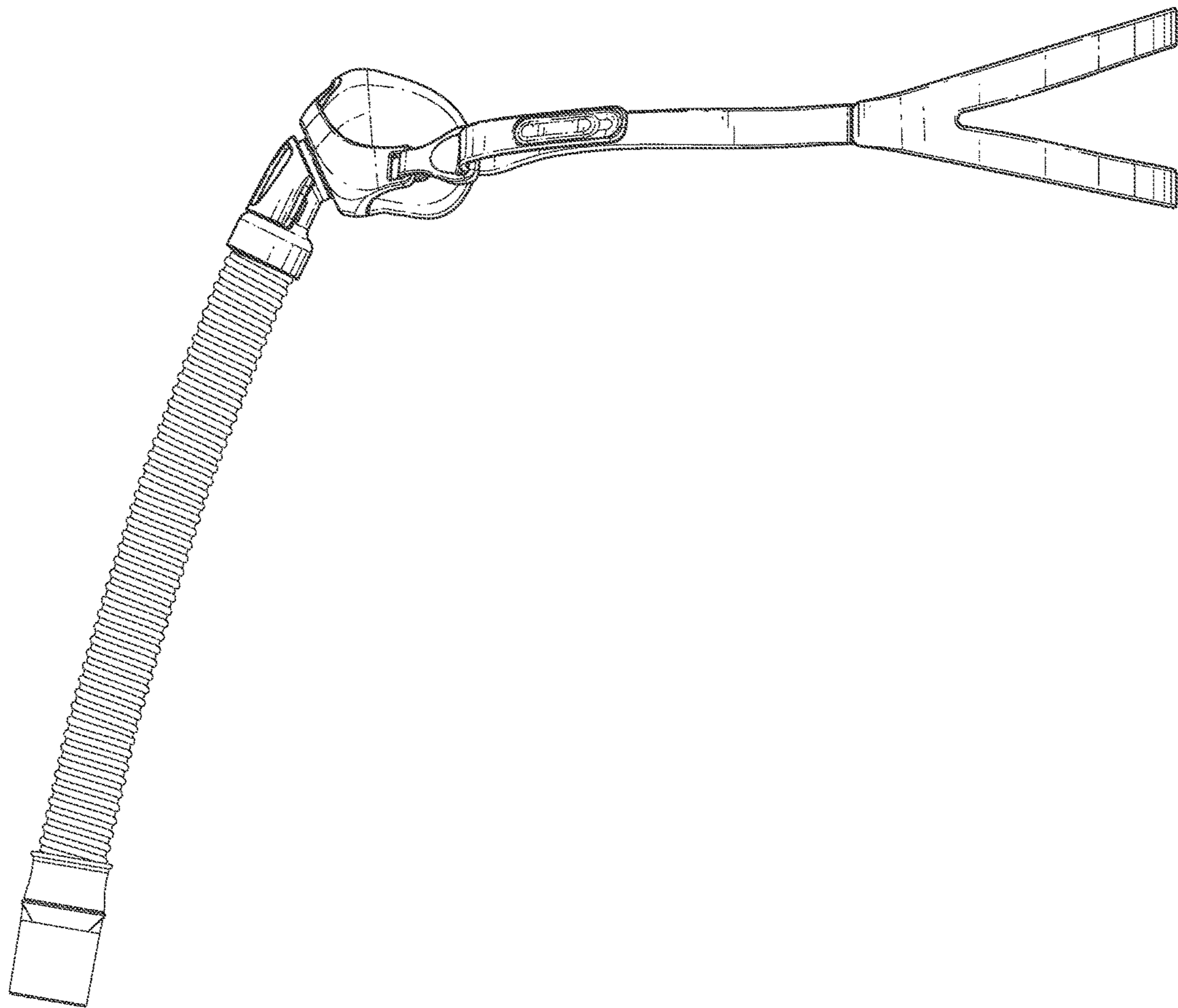


FIG. 6