



US00D797920S

(12) **United States Design Patent**  
**Lamba et al.**

(10) **Patent No.:** **US D797,920 S**  
(45) **Date of Patent:** **\*\* Sep. 19, 2017**

(54) **INHALER**

(71) Applicant: **Glenmark Pharmaceuticals Limited,**  
Mumbai (IN)

(72) Inventors: **Taranpreet Singh Lamba,** Mumbai (IN); **Pradeep Patil,** Mumbai (IN); **Rajneesh Shrivastava,** Mumbai (IN); **Mayank Gupta,** Aonla (IN); **Karsten Nielsen,** Lexington, MA (US); **Neal Anderson,** Windham, NH (US); **Ryan Hall,** Marlboro, MA (US); **Saad Chaudry,** Skokie, IL (US); **Alex Garfield,** Chicago, IL (US); **Ben Clement,** Acton, MA (US)

(73) Assignee: **GLENMARK PHARMACEUTICALS LIMITED,** Mumbai (IN)

(\*\*) Term: **14 Years**

(21) Appl. No.: **29/488,718**

(22) Filed: **Apr. 22, 2014**

(30) **Foreign Application Priority Data**

Nov. 22, 2013 (IN) ..... 258321  
Nov. 22, 2013 (IN) ..... 258322

(51) **LOC (10) Cl.** ..... **29-02**

(52) **U.S. Cl.**  
USPC ..... **D24/110**

(58) **Field of Classification Search**  
USPC ..... D24/110-110.1, 110.4-110.5, 127, 164;  
D29/108  
CPC ..... A61M 15/00; A61M 15/0065; A61M 15/0091; A61M 15/0021; A61M 15/0026; A61M 11/00; A61M 11/02; A61M 11/04  
See application file for complete search history.

(56) **References Cited**

**U.S. PATENT DOCUMENTS**

D189,076 S \* 10/1960 Altman ..... 128/203.12  
D342,994 S 1/1994 Rand et al.

D452,910 S 1/2002 Braithwaite et al.  
D492,769 S 7/2004 Hatanaka  
D518,171 S 3/2006 Anderson et al.

(Continued)

**FOREIGN PATENT DOCUMENTS**

EM 001178537-0001 11/2009  
EM 001178537-0006 11/2009

(Continued)

*Primary Examiner* — Barbara Fox

*Assistant Examiner* — Lilyana Bekic

(74) *Attorney, Agent, or Firm* — Merchant & Gould P.C.

(57) **CLAIM**

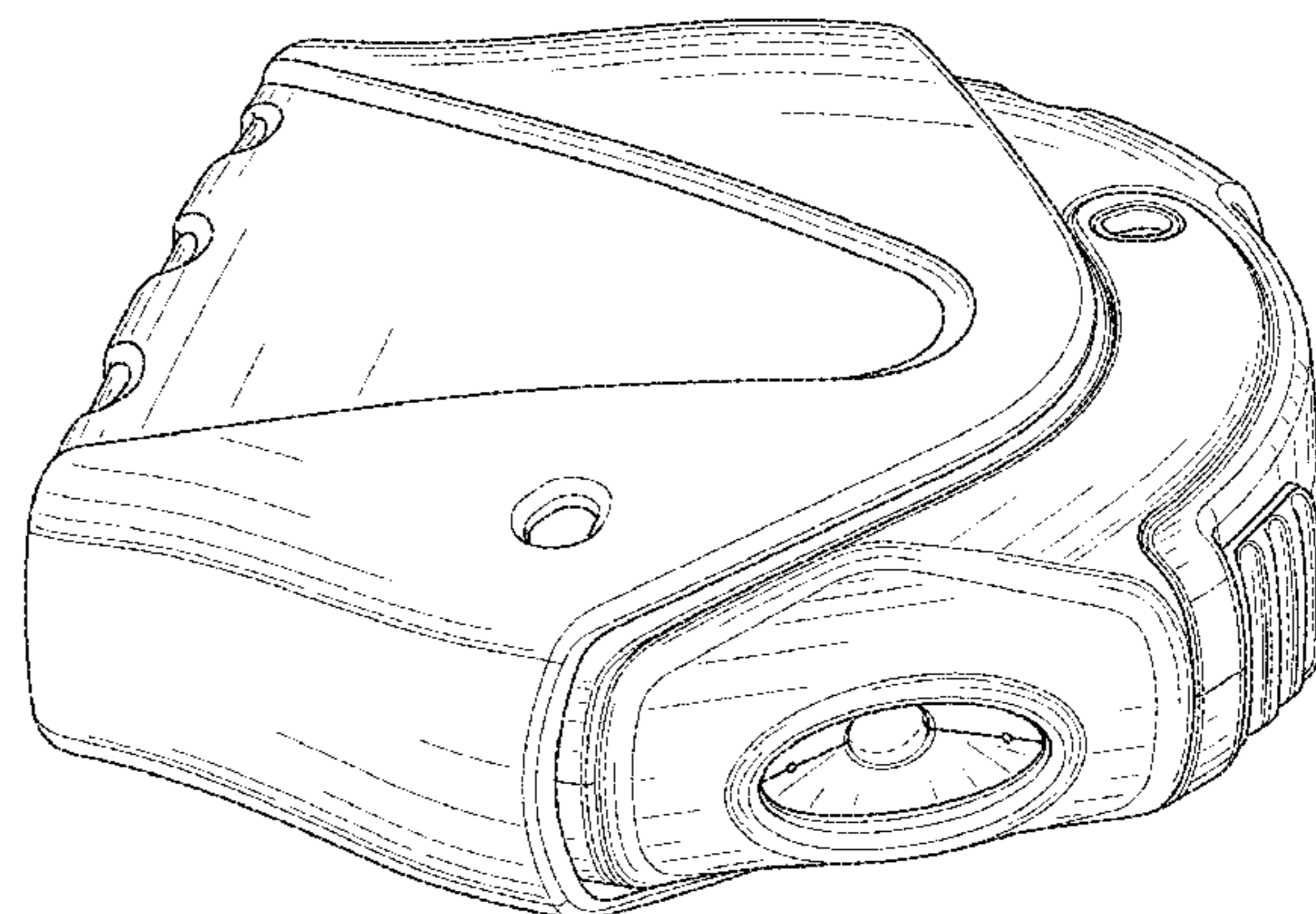
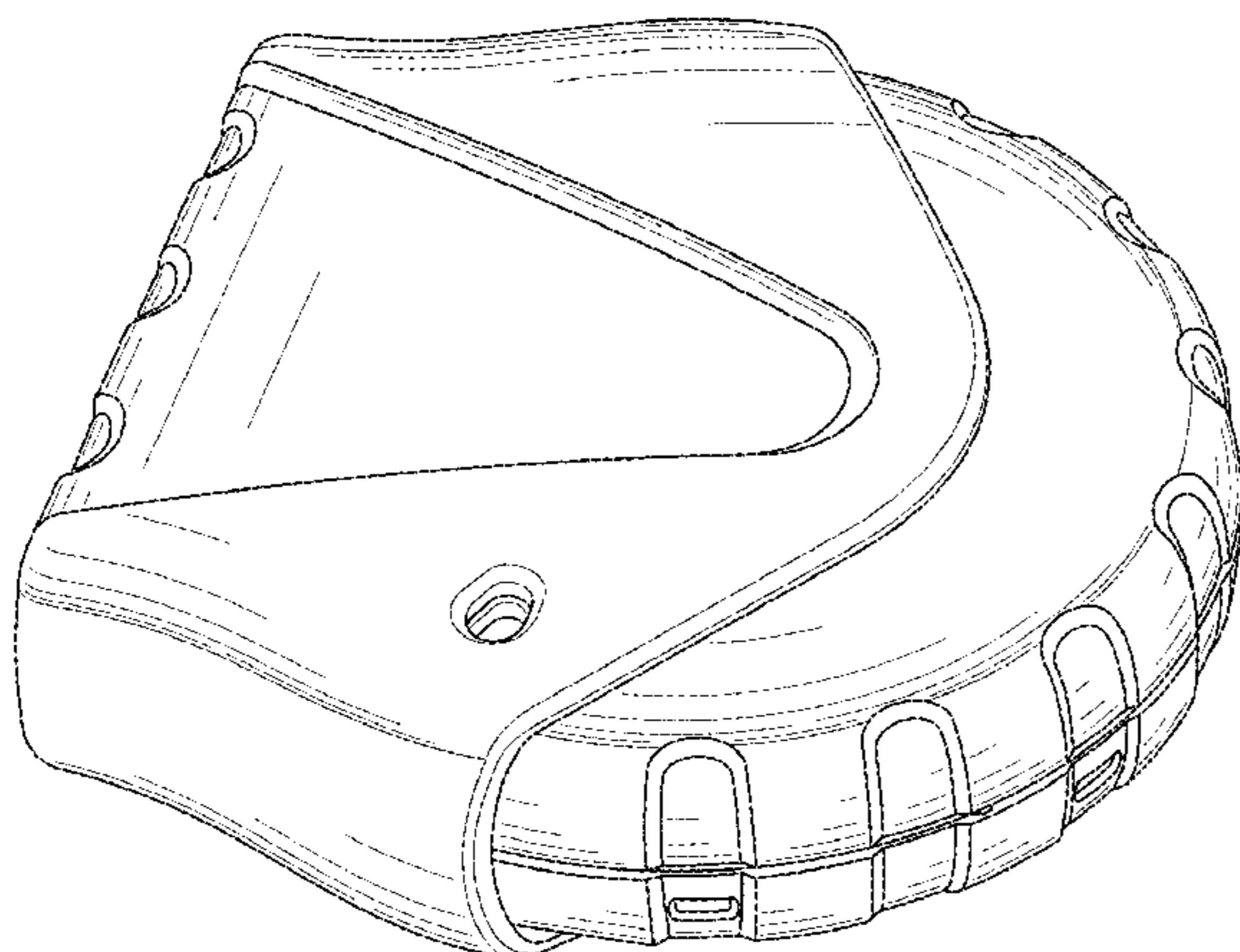
We claim the ornamental design for an inhaler, as shown and described.

**DESCRIPTION**

FIG. 1 is a perspective view of an inhaler showing our new design in a closed configuration;  
FIG. 2 is a top plan view thereof;  
FIG. 3 is a bottom plan view thereof;  
FIG. 4 is a left side elevational view thereof;  
FIG. 5 is a right side elevational view thereof;  
FIG. 6 is a front elevational view thereof;  
FIG. 7 is a rear elevational view thereof;  
FIG. 8 is a perspective view of the inhaler of FIG. 1 in an open configuration;  
FIG. 9 is a top plan view thereof;  
FIG. 10 is a bottom plan view thereof;  
FIG. 11 is a right side elevational view thereof;  
FIG. 12 is a left side elevational view thereof;  
FIG. 13 is a rear elevational view thereof; and,  
FIG. 14 is a front elevational view thereof.

The portions shown in broken lines form no part of the claimed design.

**1 Claim, 8 Drawing Sheets**



(56)

References Cited

U.S. PATENT DOCUMENTS

D569,967 S 5/2008 Pearl et al.  
 D576,724 S 9/2008 Jensen et al.  
 D577,815 S 9/2008 Gokhale et al.  
 D583,463 S 12/2008 Wood et al.  
 D590,495 S 4/2009 Lulla et al.  
 D590,938 S 4/2009 Lulla et al.  
 D614,024 S 4/2010 Eason et al.  
 D641,076 S 7/2011 Grunstad et al.  
 D657,045 S 4/2012 Palmer-Felgate et al.  
 D659,236 S 5/2012 Bobjer et al.  
 D667,105 S 9/2012 Zuyderhoudt  
 D670,374 S 11/2012 Bobjer et al.  
 D671,207 S 11/2012 Bobjer et al.  
 D677,377 S 3/2013 White  
 D684,254 S 6/2013 Zuyderhoudt  
 D684,684 S \* 6/2013 Grunstad ..... D24/110  
 D693,458 S 11/2013 Wright et al.  
 D737,425 S \* 8/2015 Wiczorek ..... D24/110  
 D745,660 S \* 12/2015 Gruntad ..... D24/110  
 D755,950 S \* 5/2016 Meliniotis ..... D24/110  
 2004/0035420 A1 \* 2/2004 Davies ..... A61M 15/0028  
 128/203.15  
 2005/0177275 A1 \* 8/2005 Harvey ..... G04F 1/005  
 700/244  
 2007/0052544 A1 \* 3/2007 Lintell ..... A61J 7/0481  
 340/815.4

2008/0236579 A1 10/2008 Zierenberg et al.  
 2008/0295833 A1 12/2008 Rohrschneider et al.  
 2010/0078021 A1 \* 4/2010 Thoe ..... A61M 15/0045  
 128/203.15  
 2011/0186047 A1 \* 8/2011 Lewis ..... A61M 15/0045  
 128/203.15  
 2015/0114393 A1 \* 4/2015  
 Von  
 Schuckmann .... A61M 15/0045  
 128/203.21  
 2015/0231345 A1 \* 8/2015 Bilgic ..... A61M 15/0046  
 128/203.15  
 2015/0231346 A1 \* 8/2015 Bilgic ..... A61M 15/0053  
 128/203.15  
 2016/0045684 A1 \* 2/2016 Ono ..... A61M 15/0045  
 128/203.15

FOREIGN PATENT DOCUMENTS

EM 002226407-0002 5/2013  
 EM 002242404-0001 6/2013  
 EM 002242503-0001 6/2013  
 EM 002242651-0001 6/2013  
 EM 002256834-0002 7/2013  
 EM 002258087-0001 7/2013  
 EM 002270793-0002 7/2013  
 EM 002321075-0001 10/2013

\* cited by examiner

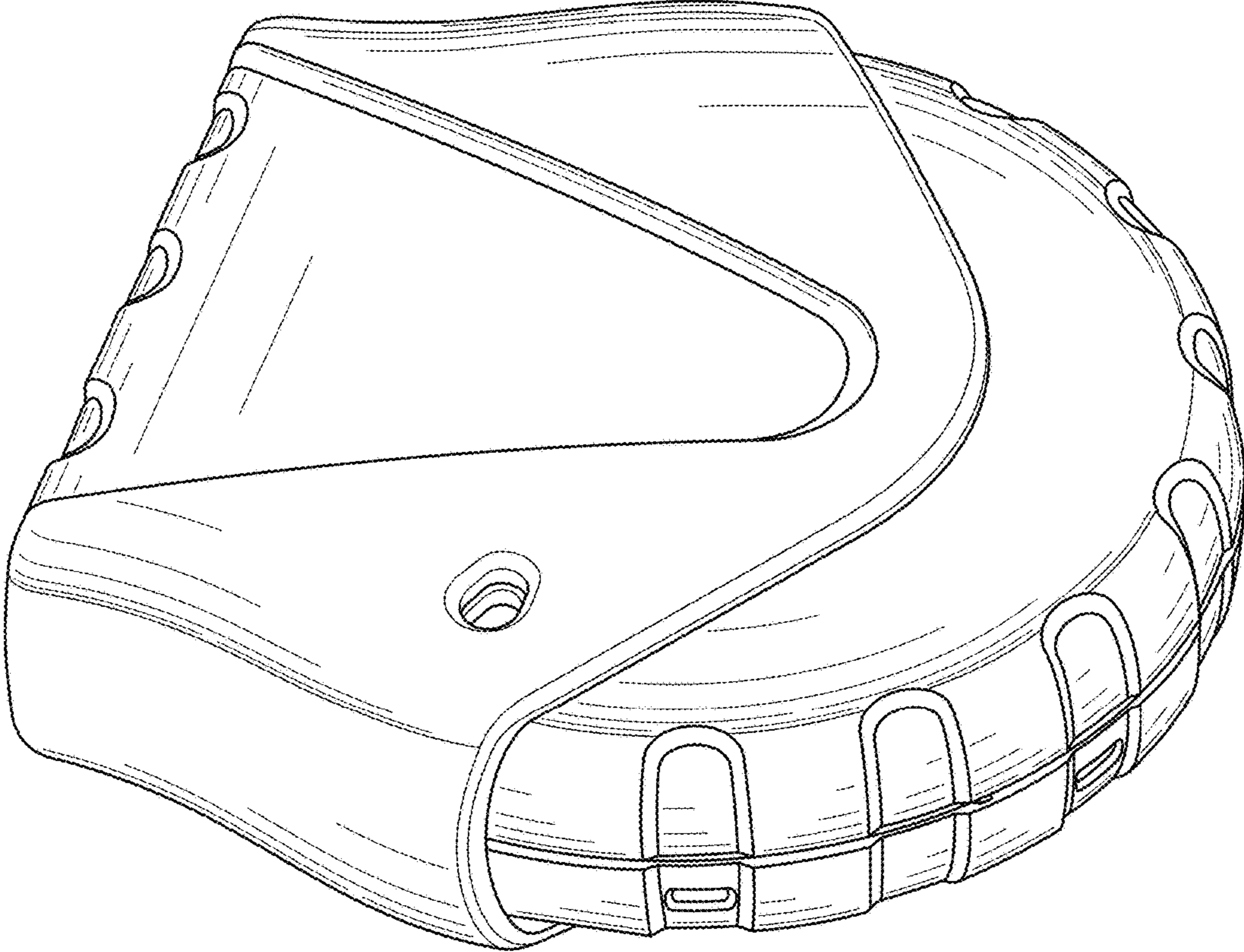


FIG. 1

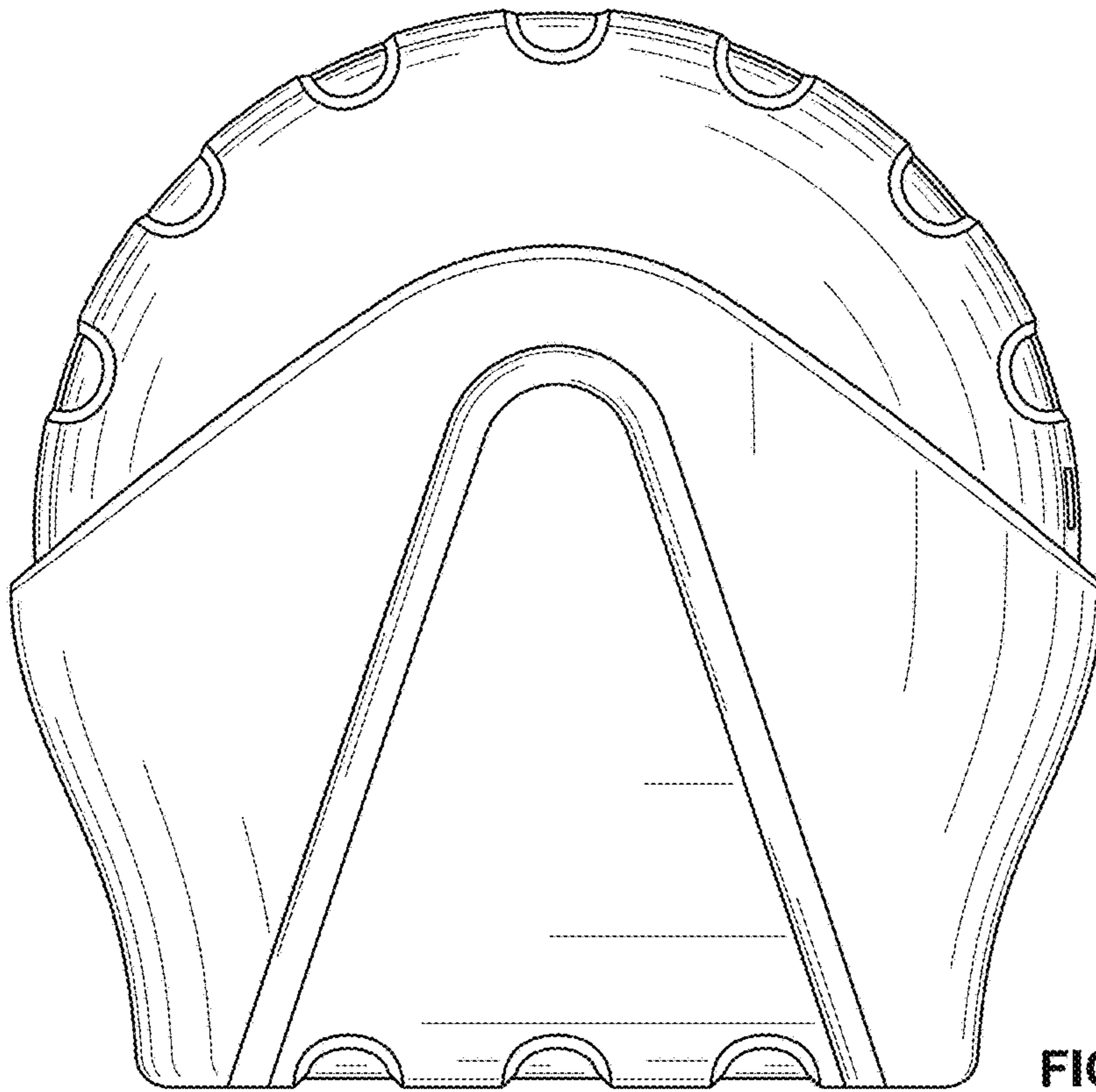


FIG. 2

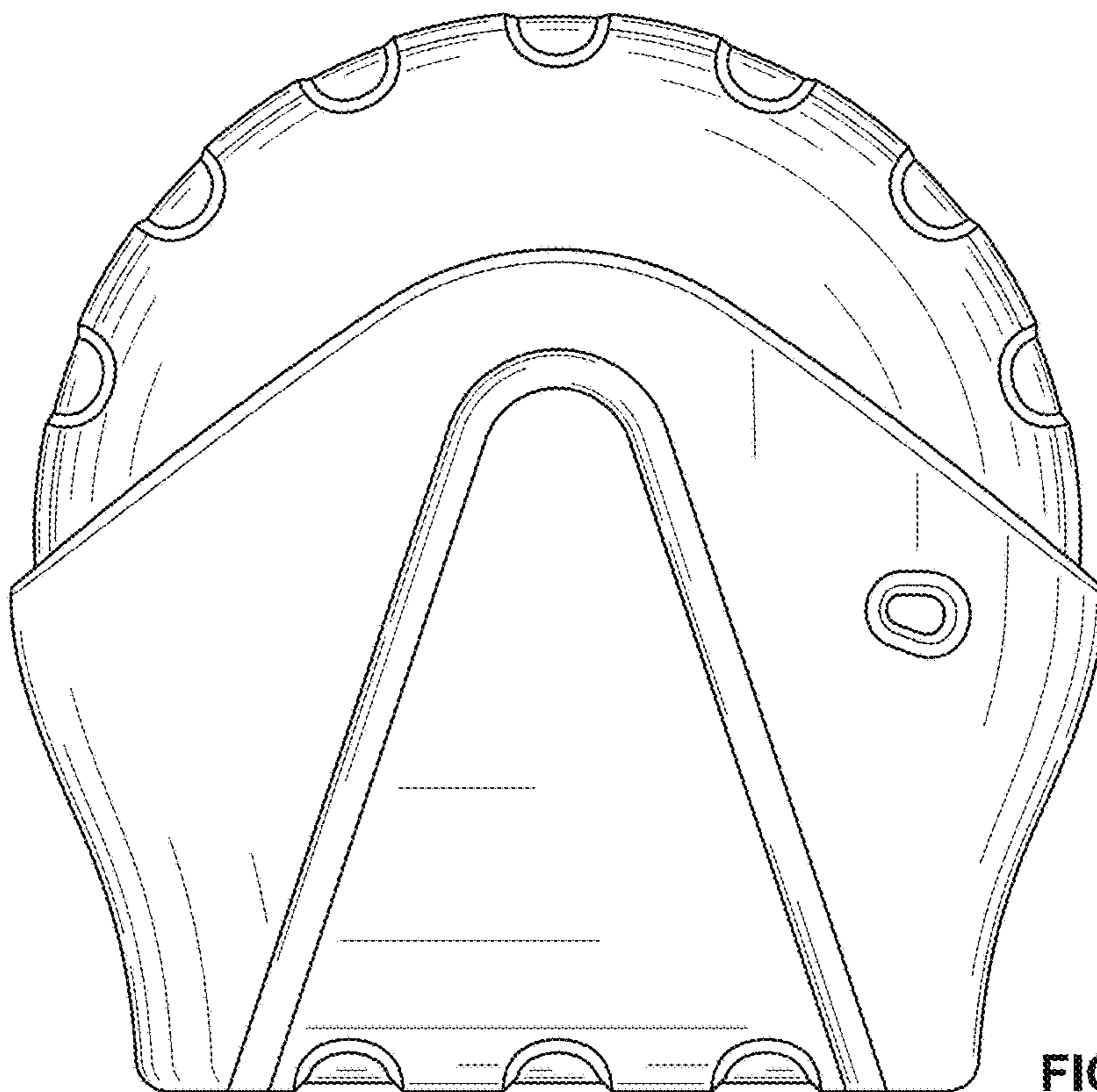


FIG. 3

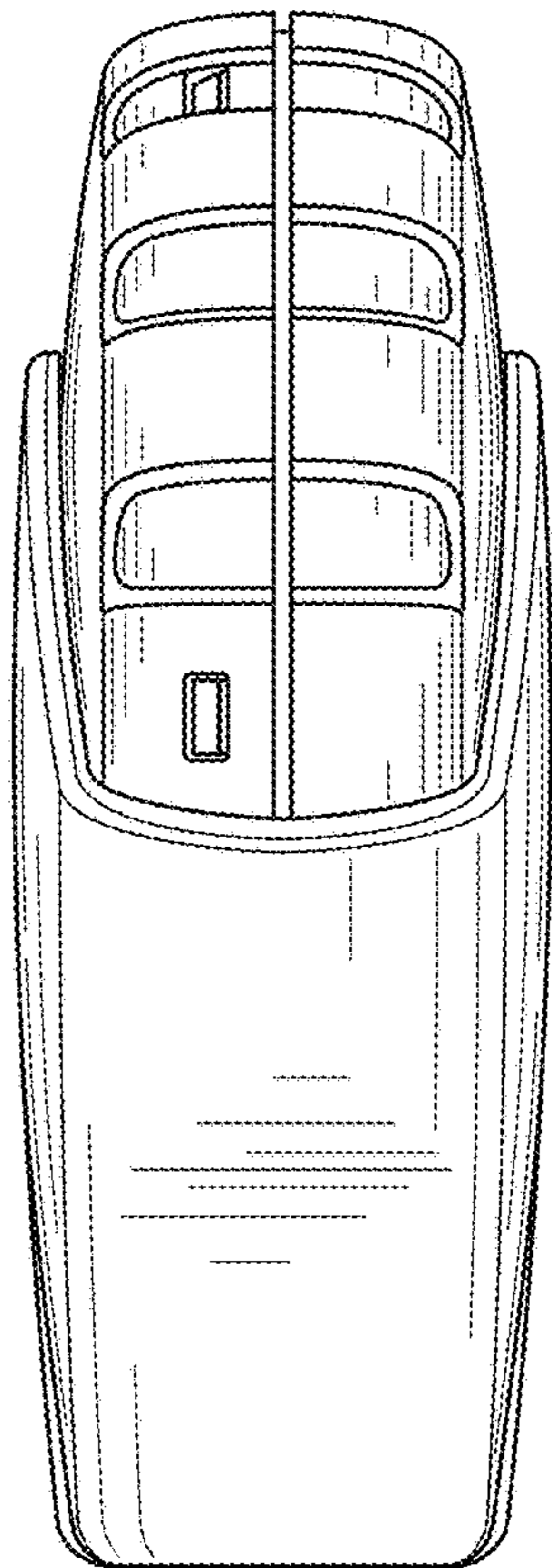


FIG. 4

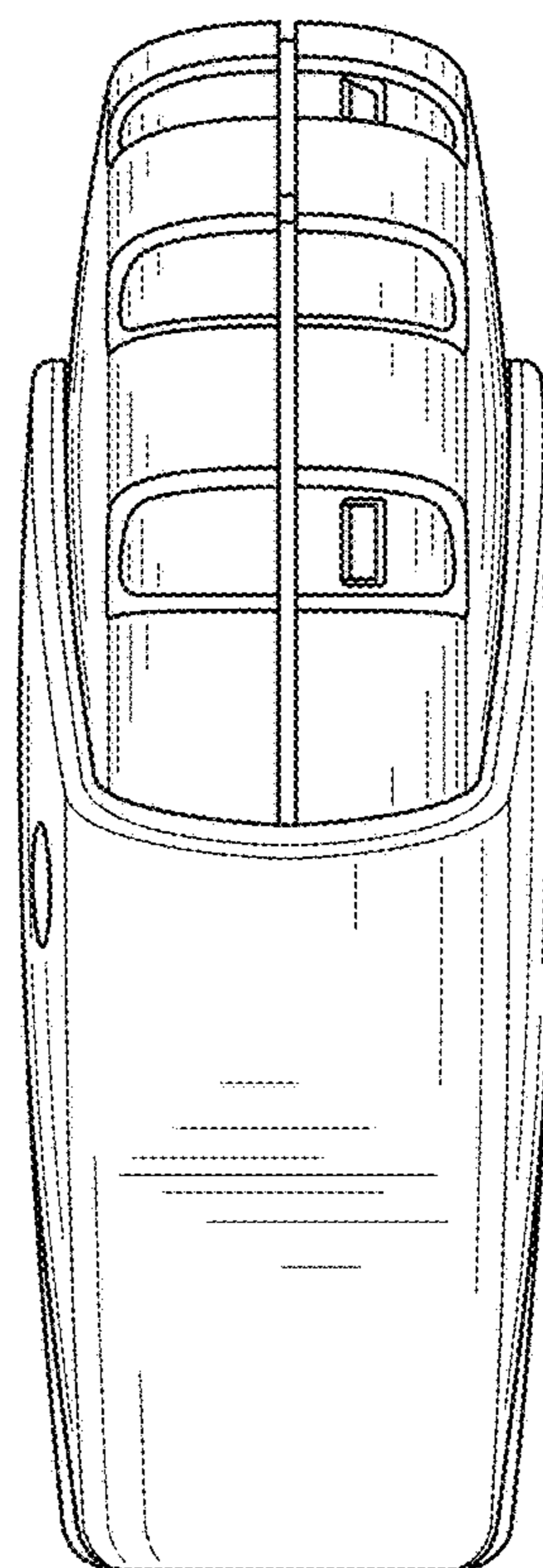


FIG. 5

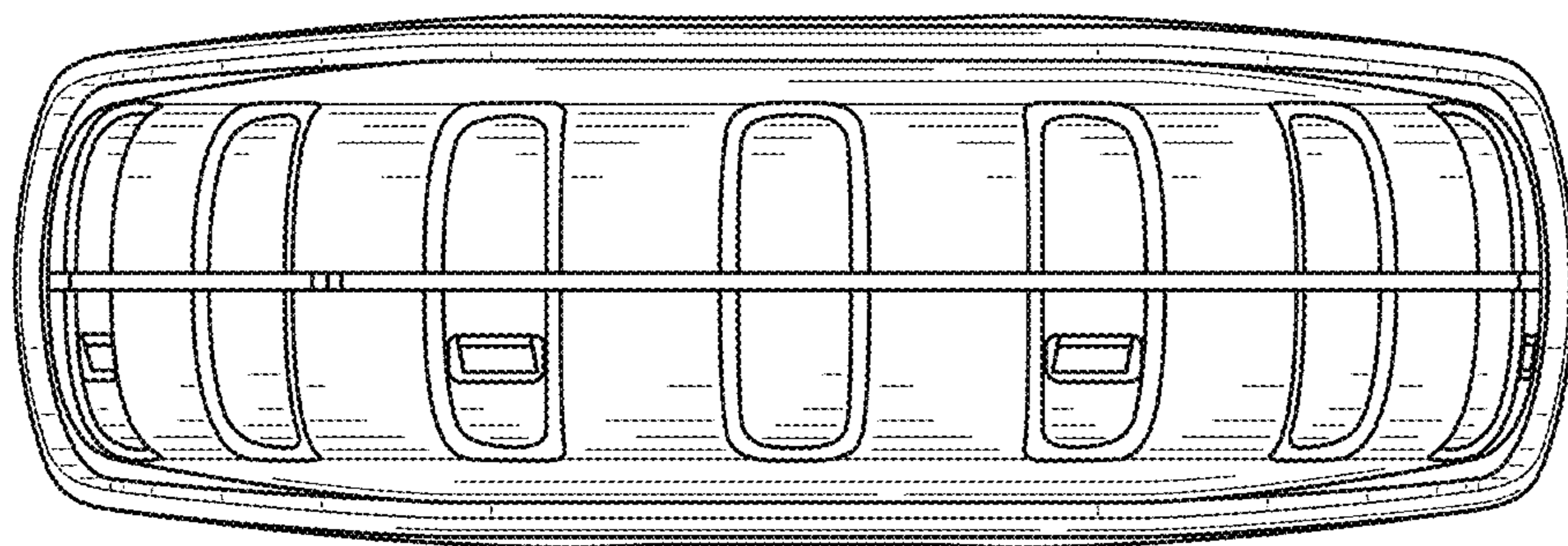


FIG. 6

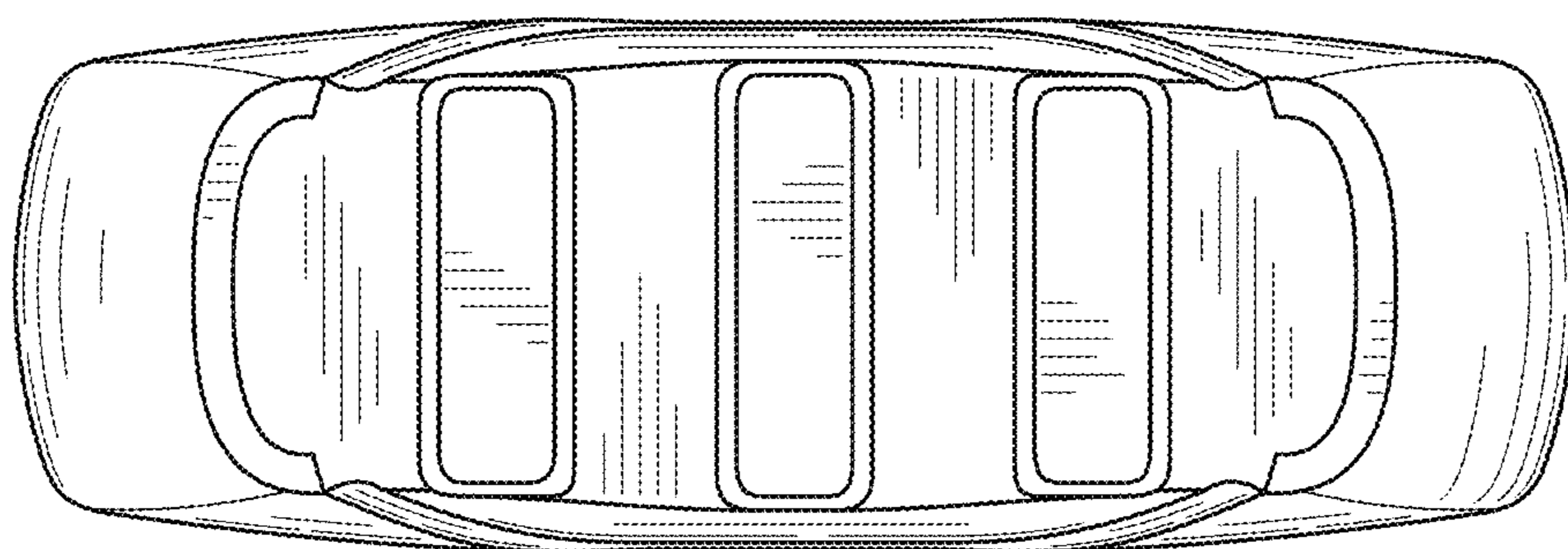


FIG. 7

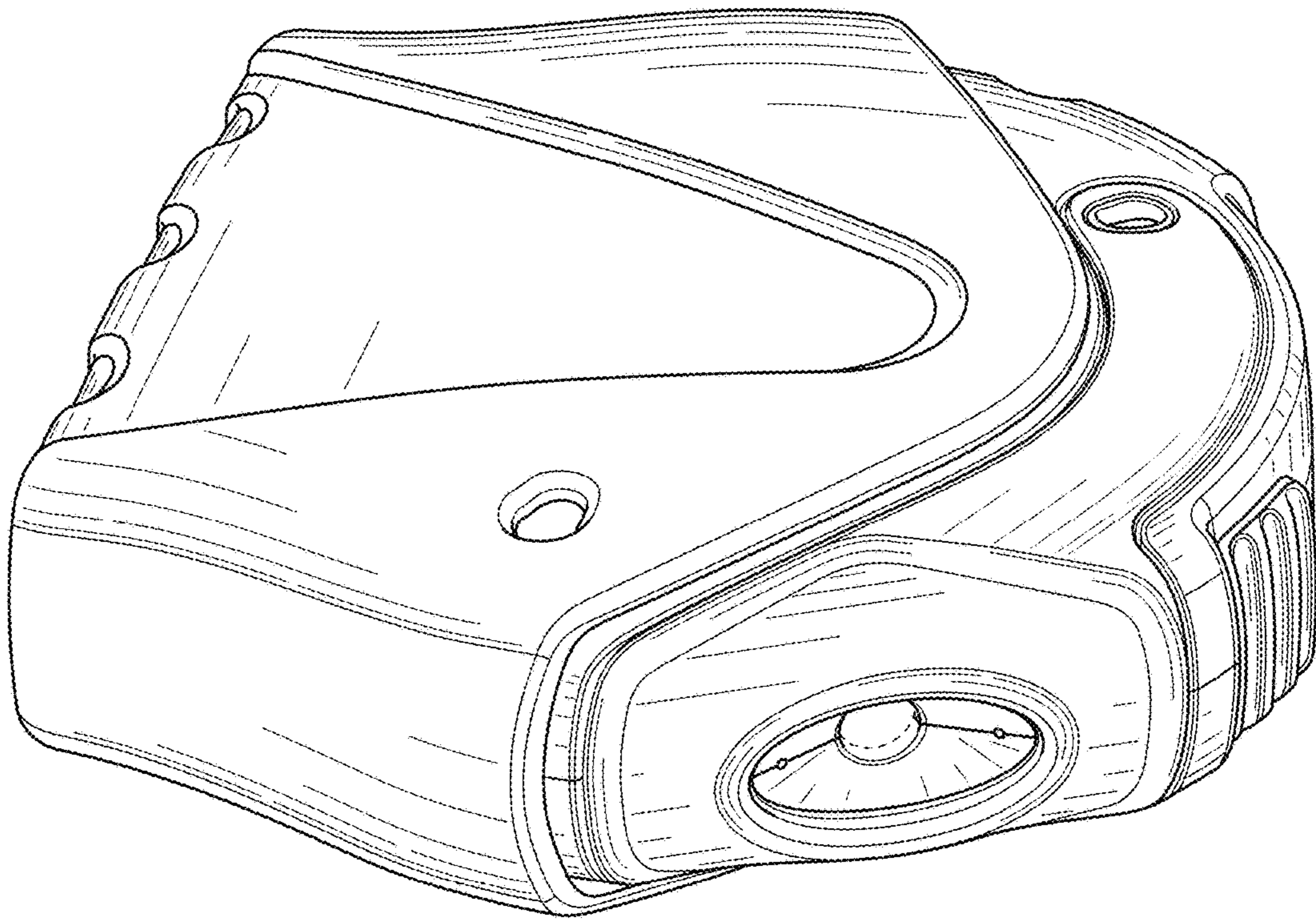


FIG. 8

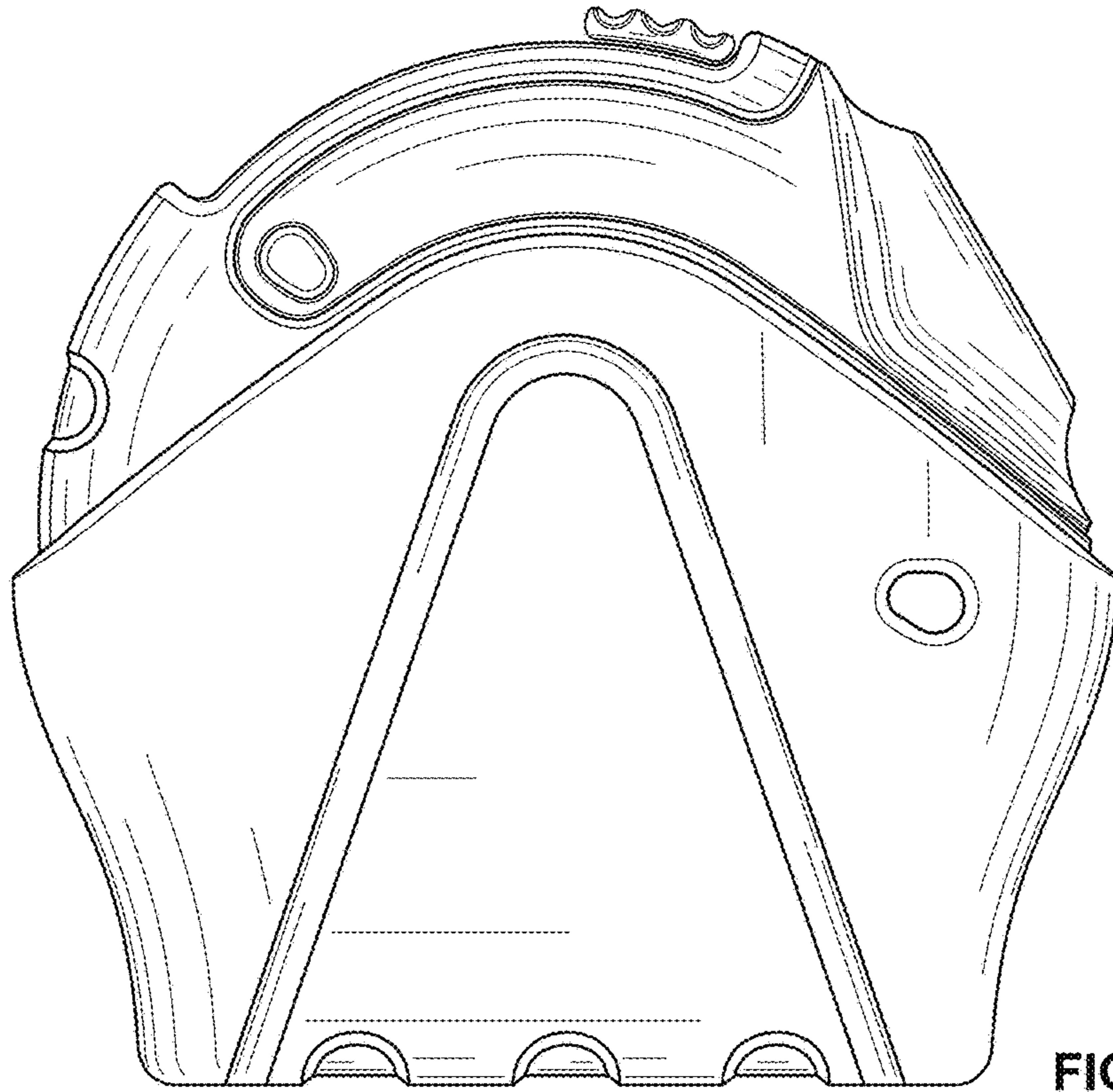


FIG. 9

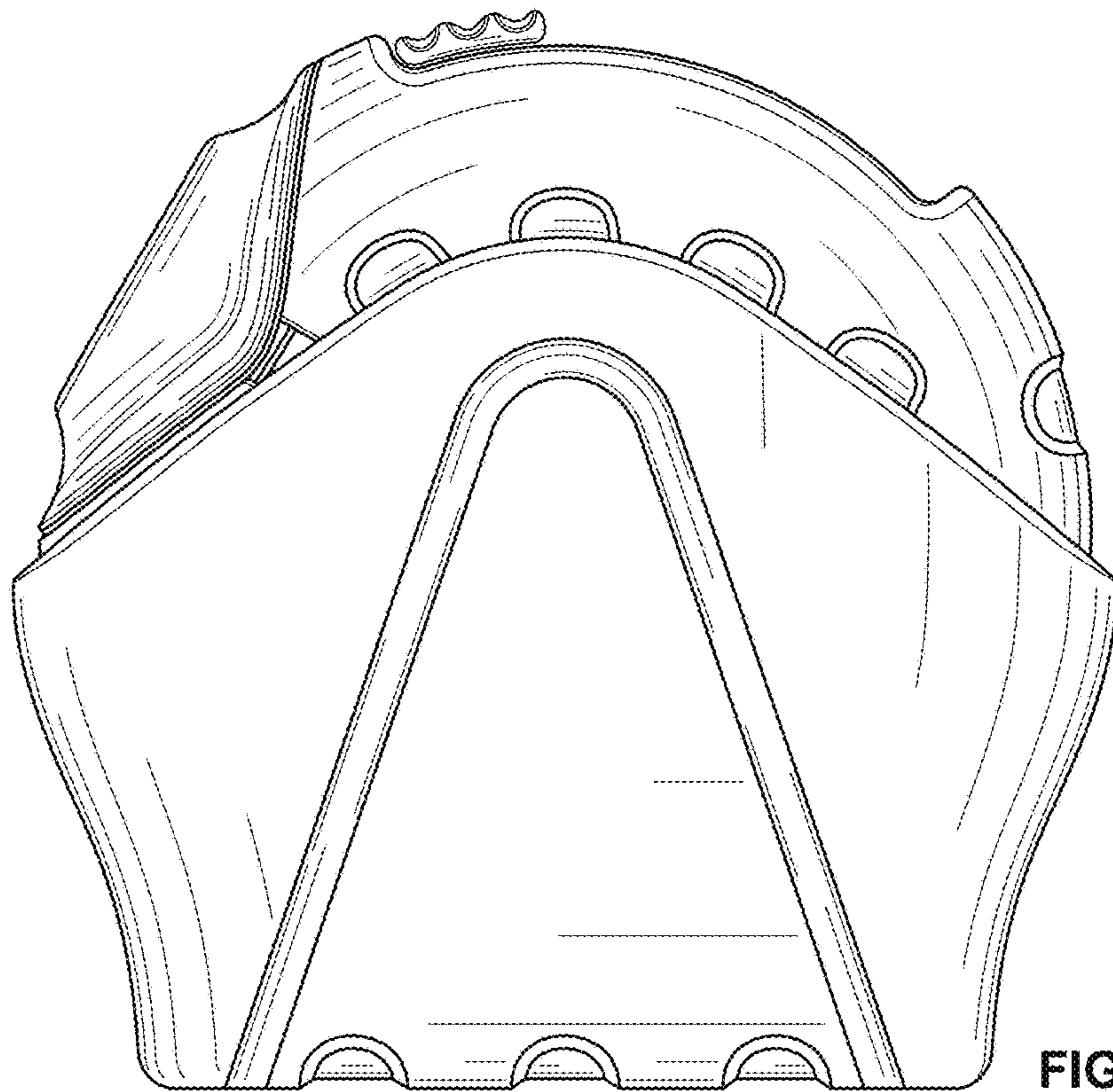


FIG. 10



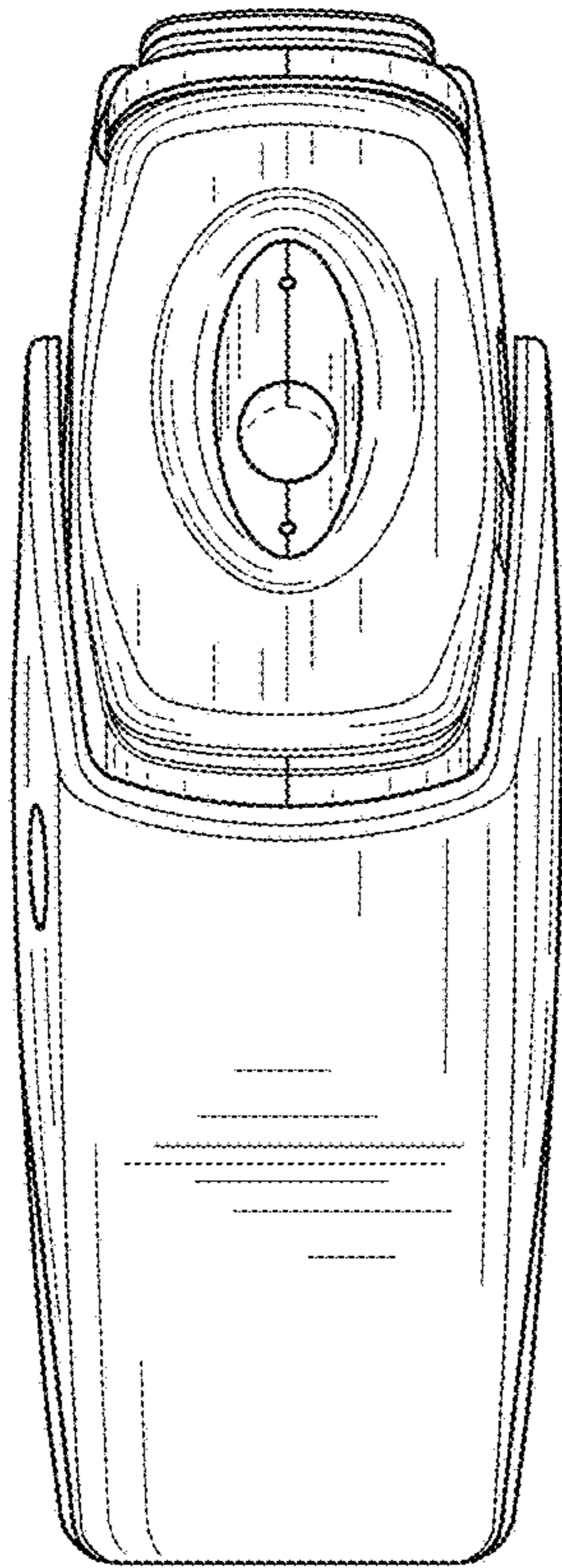


FIG. 11

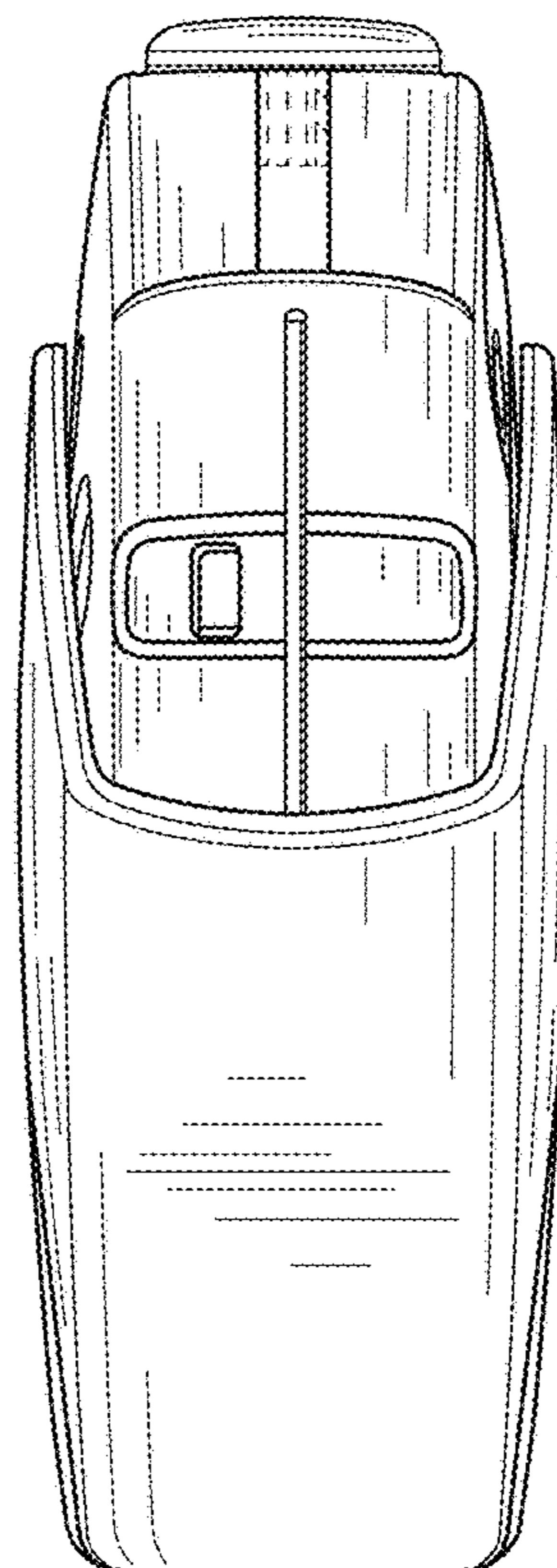


FIG. 12

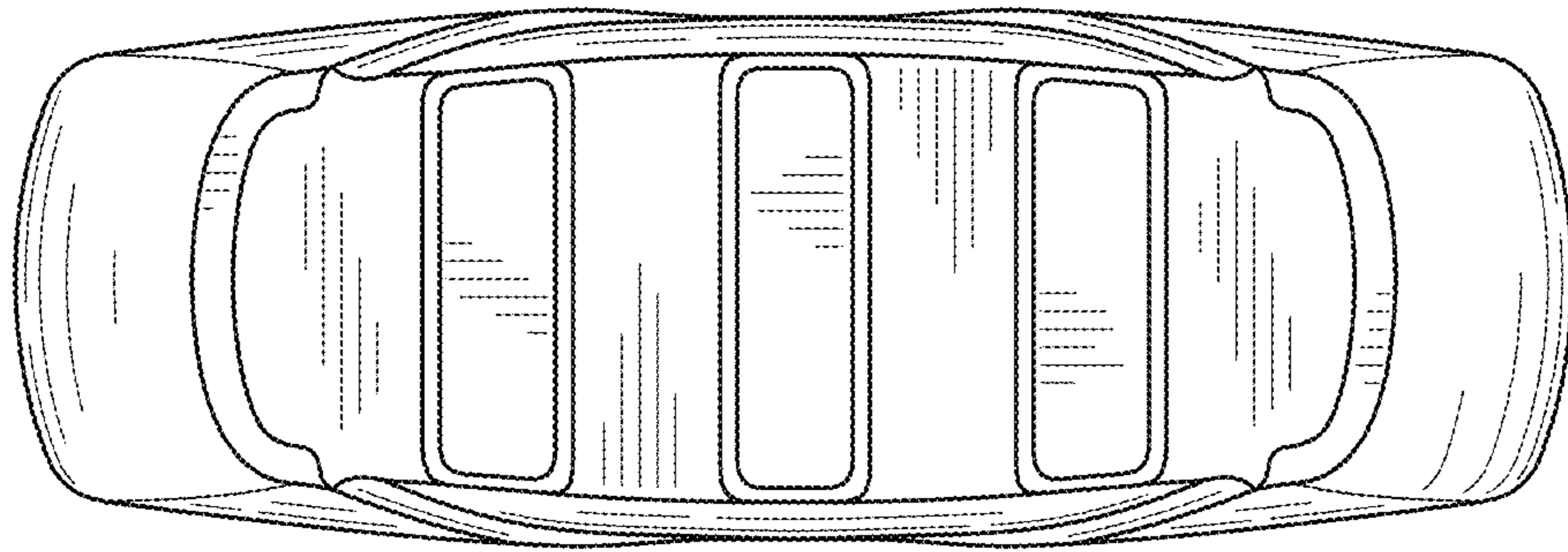


FIG. 13

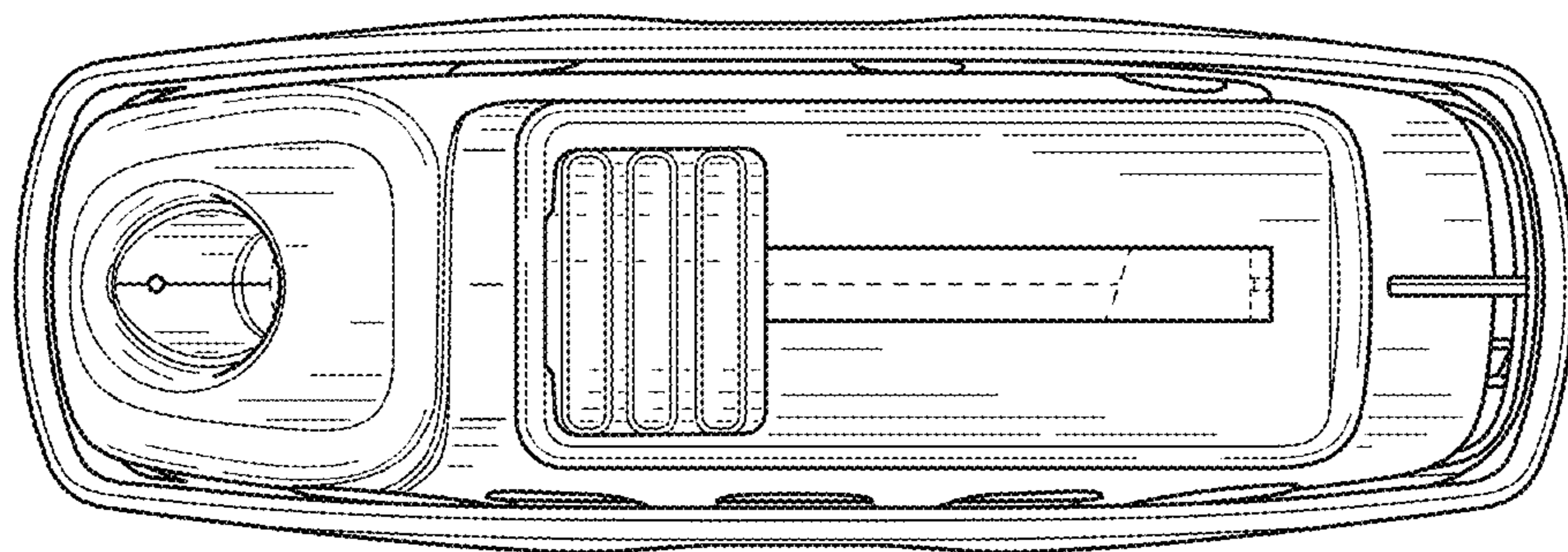


FIG. 14