



US00D797918S

(12) **United States Design Patent** (10) **Patent No.:** **US D797,918 S**  
**Genstler et al.** (45) **Date of Patent:** **\*\* Sep. 19, 2017**

(54) **MEDICAL DEVICE CONTROL UNIT**

FOREIGN PATENT DOCUMENTS

(71) Applicant: **EKOS CORPORATION**, Bothell, WA (US)

CN 301040544 S 10/2009  
CN 301877182 S 4/2012  
JP D1456367 S 11/2012

(72) Inventors: **Curtis Genstler**, Snohomish, WA (US); **William Russell Kanz**, Woodinville, WA (US); **Michael George Svob**, Everett, WA (US); **William Lyle Richardson**, Duvall, WA (US); **Jeff Ladwig**, Seattle, WA (US); **Amy Brumet**, Seattle, WA (US); **Eric Wahl**, Redmond, WA (US); **David Kalamen**, Redmond, WA (US); **Stephanie Seraphina**, Redmond, WA (US); **Alex Hay**, Bothell, WA (US)

OTHER PUBLICATIONS

“EkoSonic® MACH4e”, EKOS Advertisement, Venous Times, Issue 6, dated Jan. 2010, p. 3.

*Primary Examiner* — Barbara Fox  
*Assistant Examiner* — Lilyana Bekic  
(74) *Attorney, Agent, or Firm* — Knobbe, Martens, Olson & Bear LLP

(73) Assignee: **EKOS CORPORATION**, Bothell, WA (US)

(57) **CLAIM**

The ornamental design for a medical device control unit, as shown and described.

(\*\*) Term: **14 Years**

**DESCRIPTION**

(21) Appl. No.: **29/503,033**

(22) Filed: **Sep. 22, 2014**

(51) **LOC (10) Cl.** ..... **24-01**

(52) **U.S. Cl.**  
USPC ..... **D24/107**

(58) **Field of Classification Search**  
USPC ..... D24/107–108, 111, 185  
CPC ..... A61M 5/142; A61M 5/14; A61M 5/00;  
A61M 2005/14208; A61B 8/46  
See application file for complete search history.

FIG. 1 is a perspective view of a medical device control unit showing a first embodiment;  
FIG. 2 is a front elevational view thereof;  
FIG. 3 is a rear elevational view thereof;  
FIG. 4 is a left elevational view thereof;  
FIG. 5 is a right elevational view thereof;  
FIG. 6 is a top plan view thereof;  
FIG. 7 is a bottom plan view thereof;  
FIG. 8 is a perspective view of a medical device control unit showing a second embodiment;  
FIG. 9 is a front elevational view thereof;  
FIG. 10 is a rear elevational view thereof;  
FIG. 11 is a left elevational view thereof;  
FIG. 12 is a right elevational view thereof;  
FIG. 13 is a top plan view thereof; and,  
FIG. 14 is a bottom plan view thereof.  
The broken lines in the drawings illustrate portions of the medical device control unit that form no part of the claimed design.

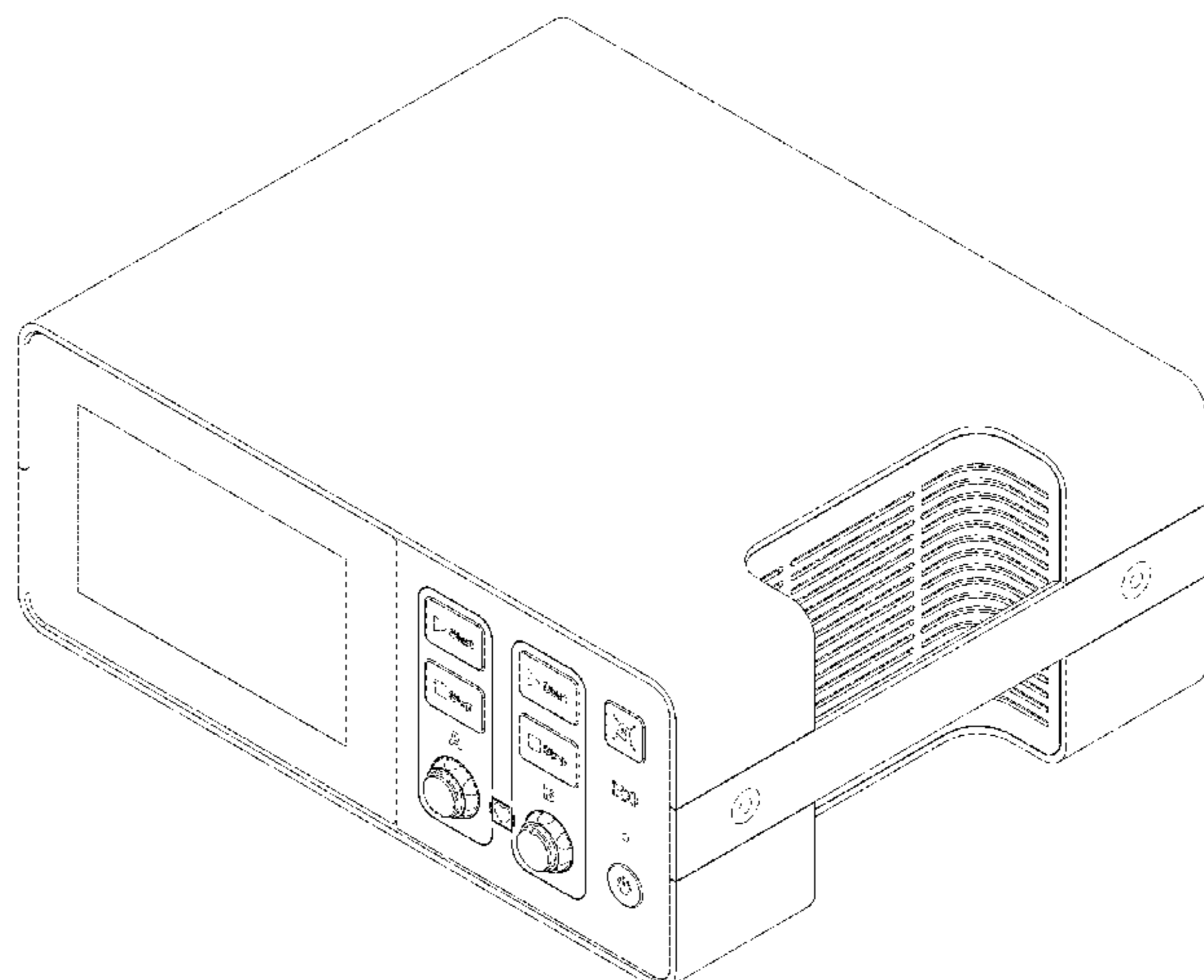
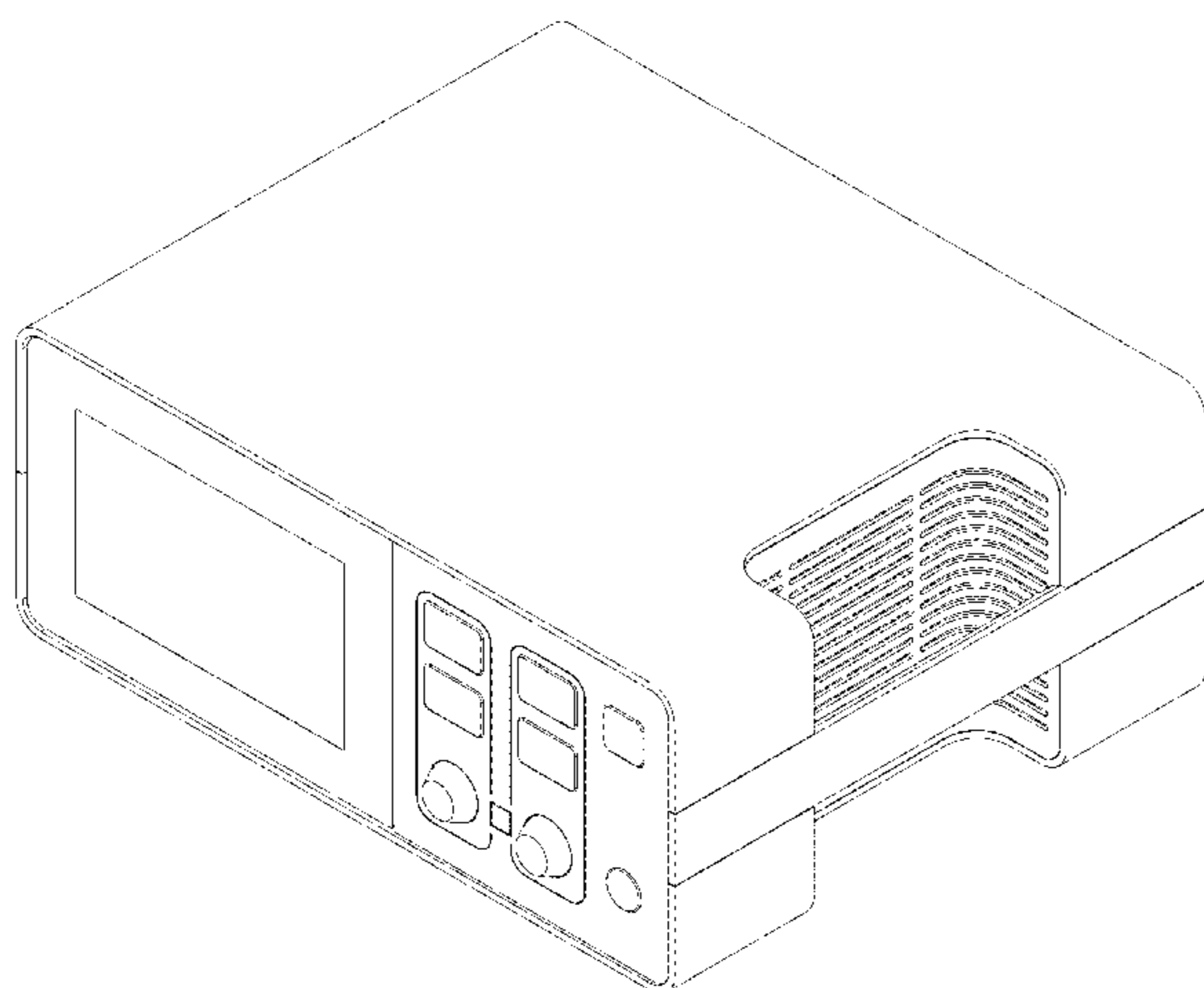
(56) **References Cited**

U.S. PATENT DOCUMENTS

D238,905 S \* 2/1976 Sokol ..... D14/134  
D247,251 S \* 2/1978 Napoli ..... D24/186  
4,312,361 A \* 1/1982 Nicholson ..... A61B 5/031  
600/561  
D264,128 S \* 4/1982 Barnes ..... D10/76  
D296,240 S \* 6/1988 Albright ..... D24/186

(Continued)

**1 Claim, 14 Drawing Sheets**



(56)

References Cited

U.S. PATENT DOCUMENTS

D330,424	S	*	10/1992	Davis	.....	D24/160
5,461,708	A		10/1995	Kahn		
6,493,731	B1		12/2002	Jones et al.		
D534,654	S	*	1/2007	Hayamizu	.....	D24/107
D564,094	S	*	3/2008	Hayashi	.....	D24/107
D564,661	S	*	3/2008	Hayashi	.....	D24/107
D574,961	S	*	8/2008	Kitahara	.....	D24/186
D578,543	S		10/2008	Ulm et al.		
D592,754	S	*	5/2009	Koike	.....	D24/186
D617,332	S		6/2010	Loken et al.		
D630,727	S	*	1/2011	Petrovic	.....	D24/111
D643,117	S	*	8/2011	Onuma	.....	D24/138
D658,667	S		5/2012	Cho et al.		
D664,985	S		8/2012	Tanghe et al.		
D670,714	S		11/2012	Majeed et al.		
D670,725	S		11/2012	Mori et al.		
D671,552	S		11/2012	Mori et al.		
8,762,880	B2		6/2014	Dukhon et al.		
8,771,186	B2		7/2014	Kinsley et al.		
D725,784	S	*	3/2015	Xia	.....	D24/186
D733,178	S		6/2015	Omiya		
D733,738	S		7/2015	Omiya		
D734,475	S	*	7/2015	Ross	.....	D24/185
2008/0290114	A1	*	11/2008	Cabuz	.....	A61M 5/14244 222/56
2013/0073306	A1		3/2013	Shlain et al.		
2015/0095807	A1		4/2015	Duncker et al.		

\* cited by examiner

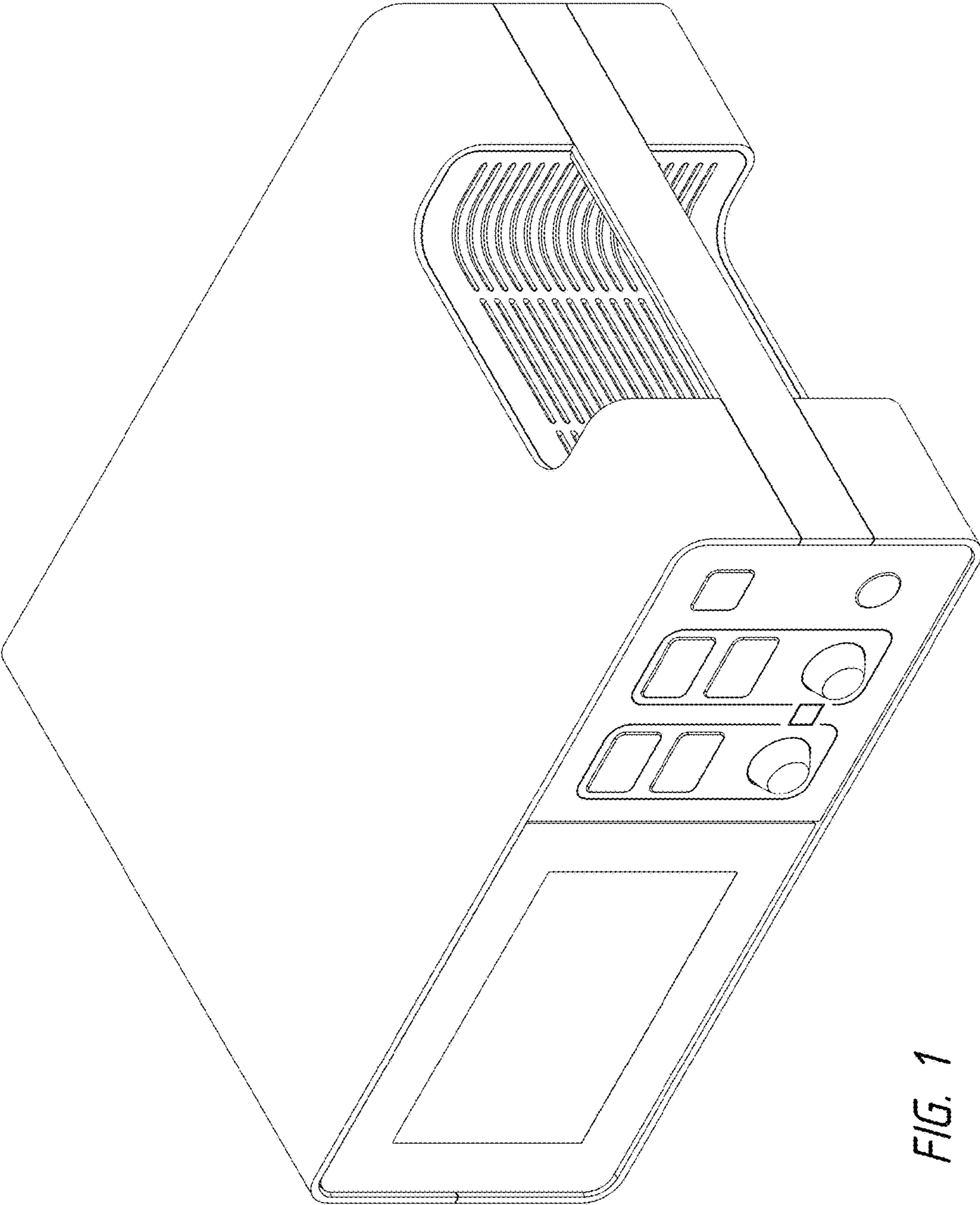


FIG. 1

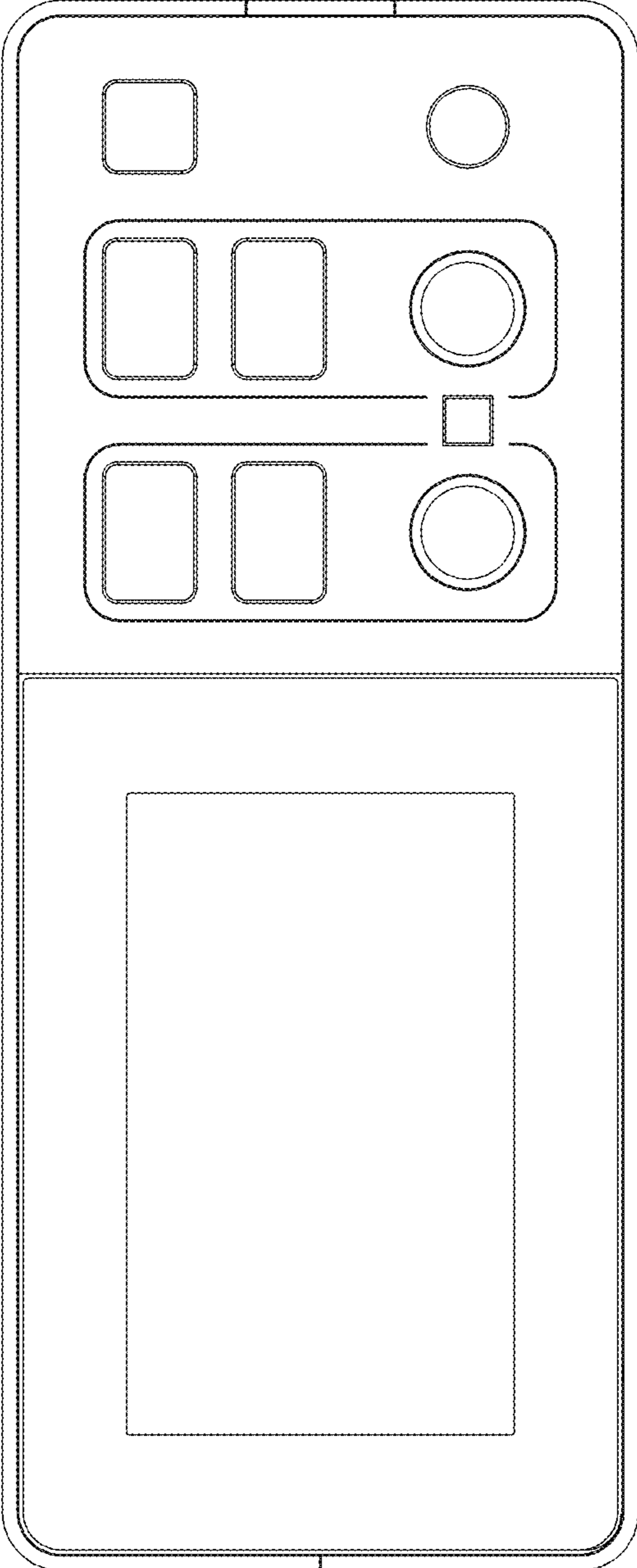


FIG. 2

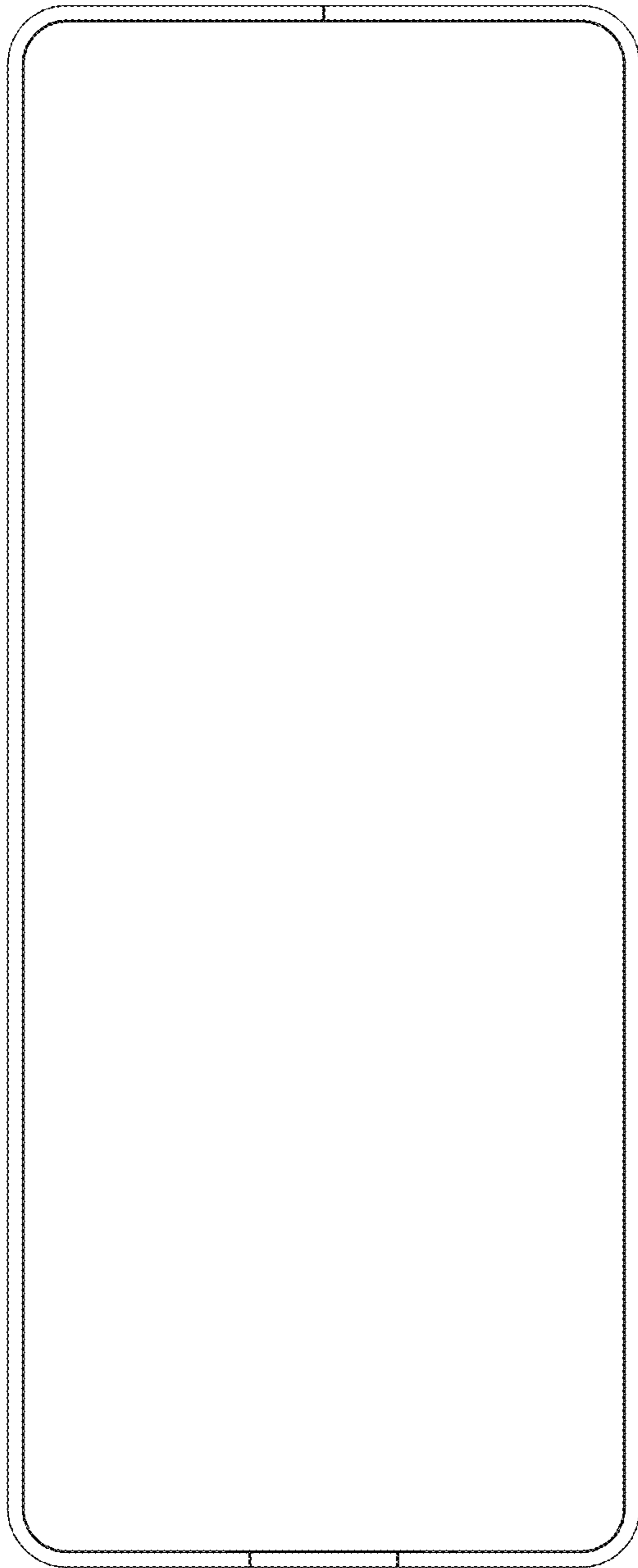


FIG. 3

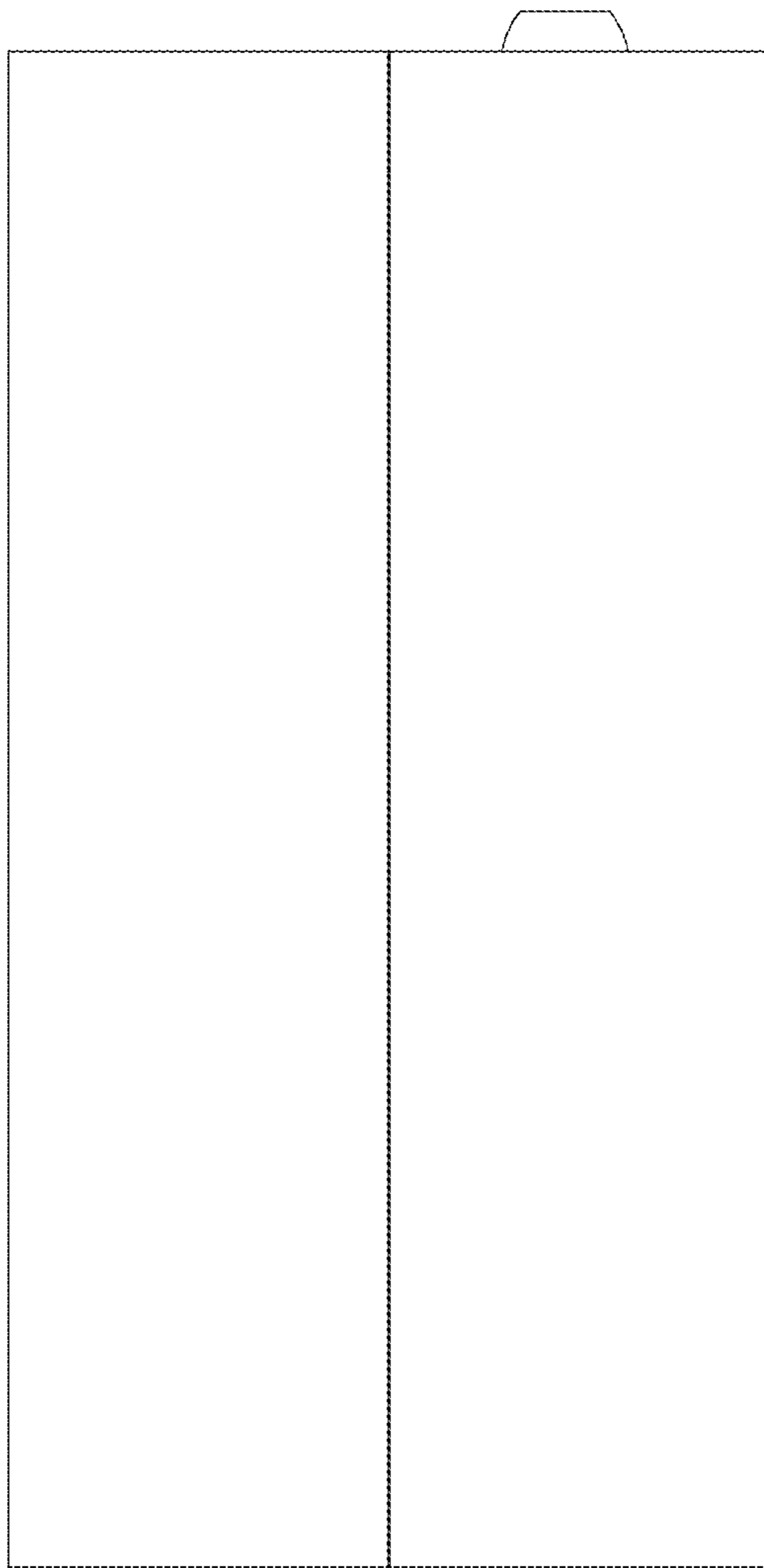


FIG. 4

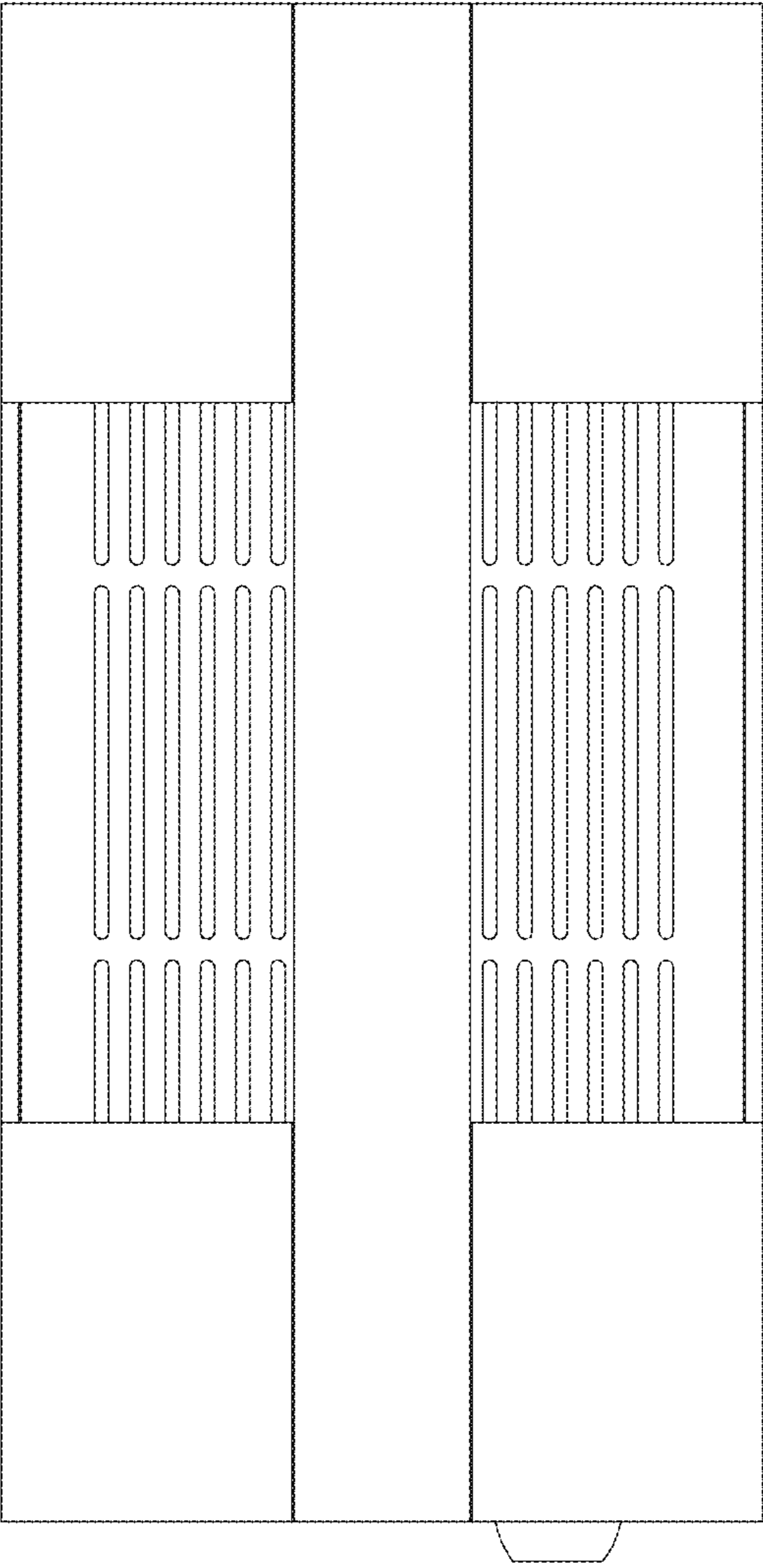


FIG. 5

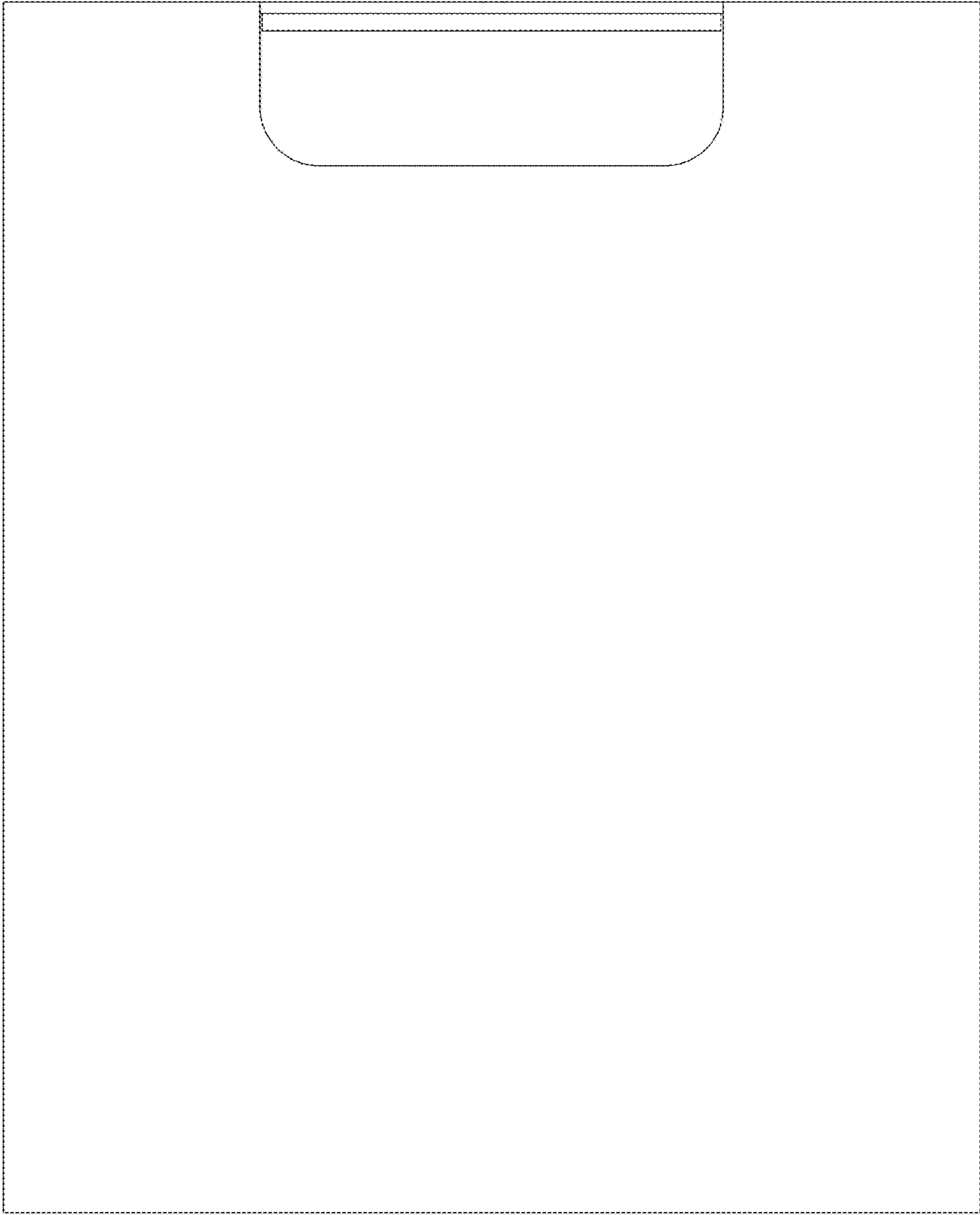


FIG. 6



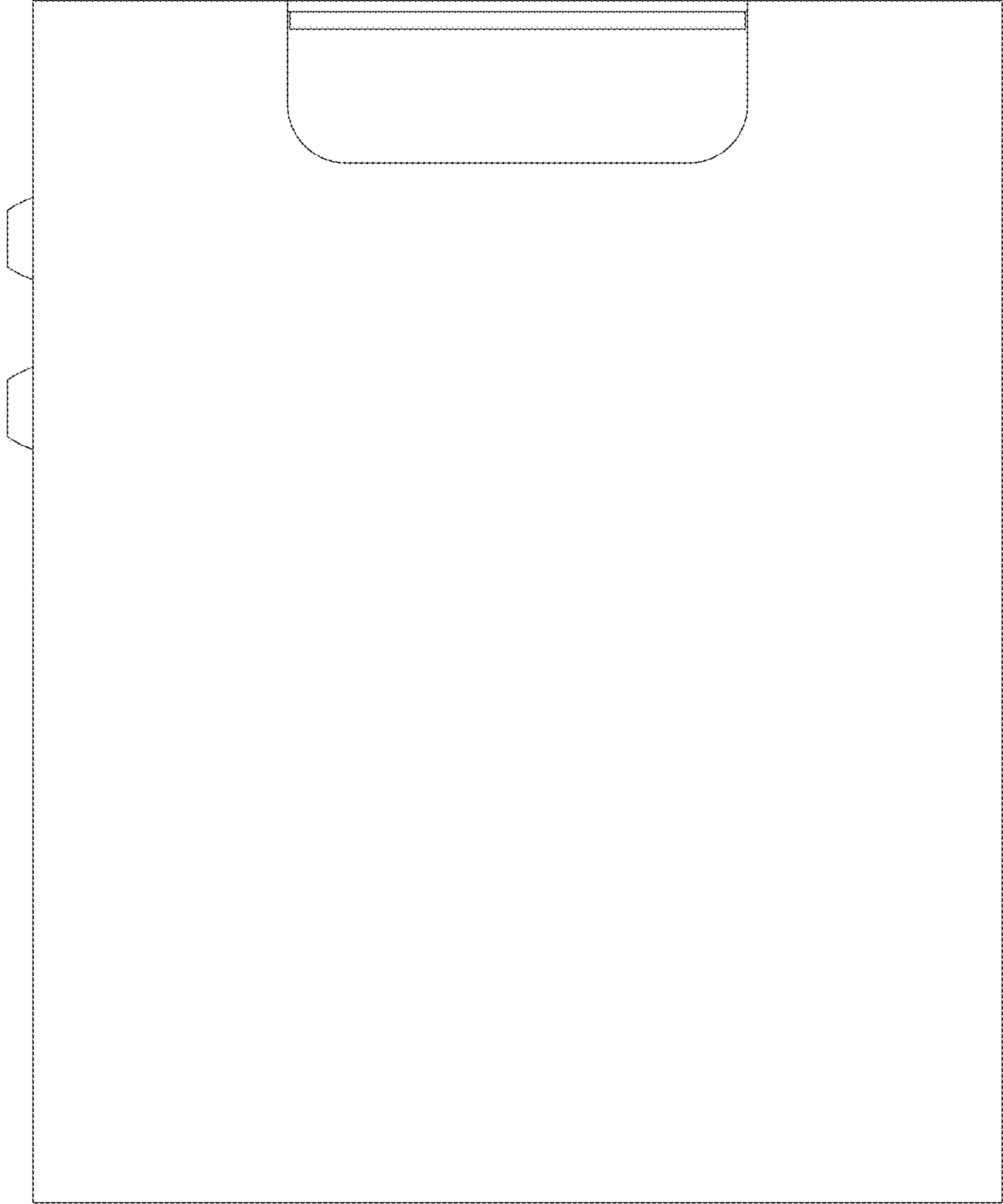


FIG. 7

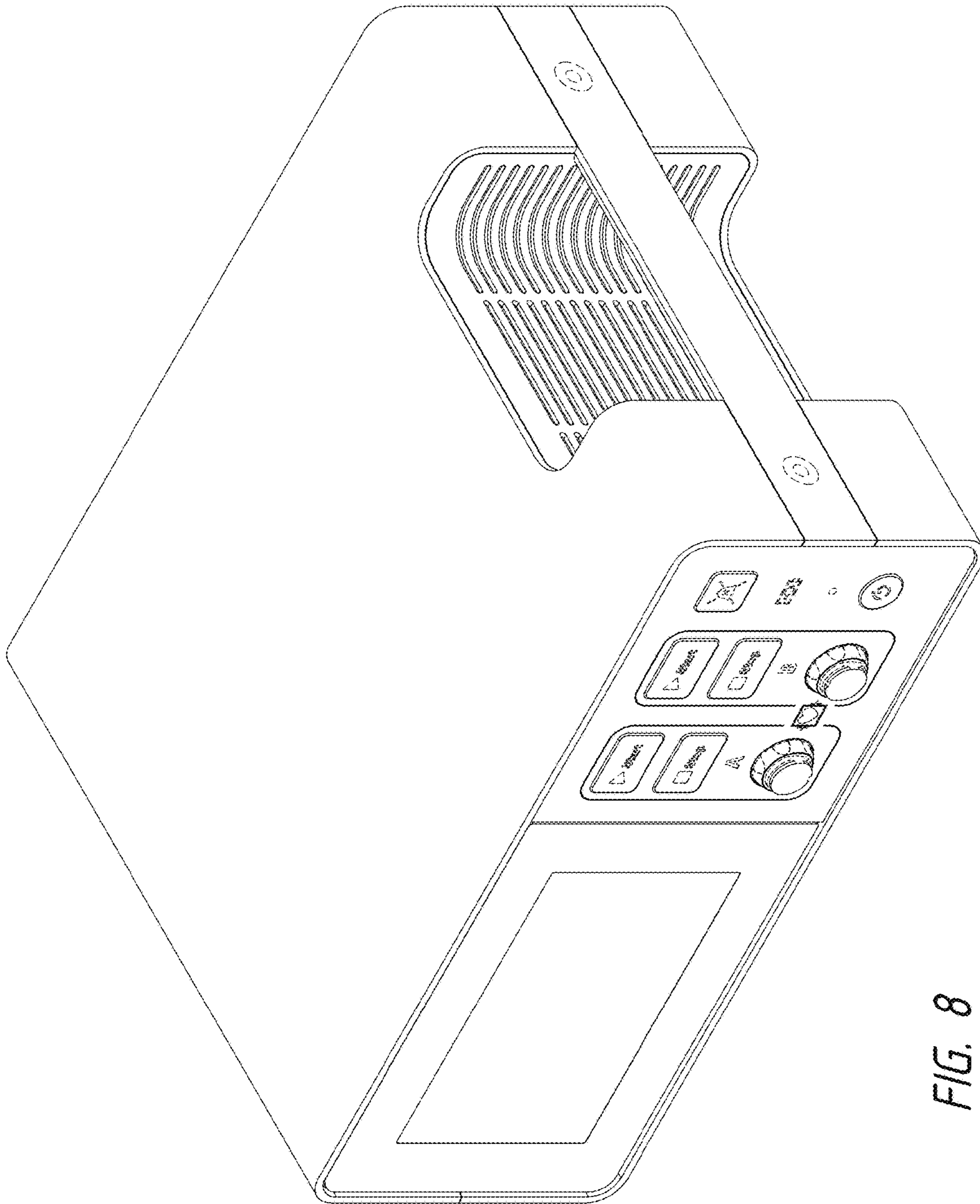


FIG. 8

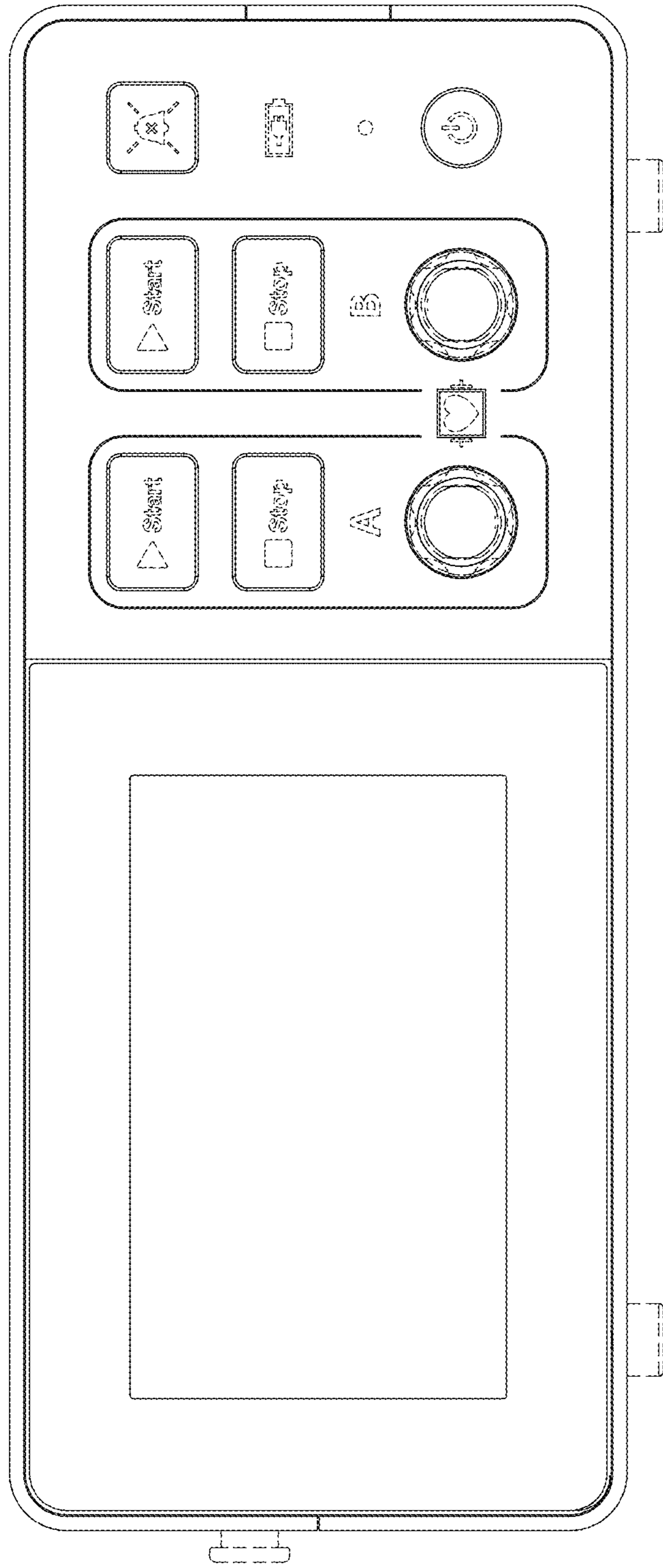


FIG. 9

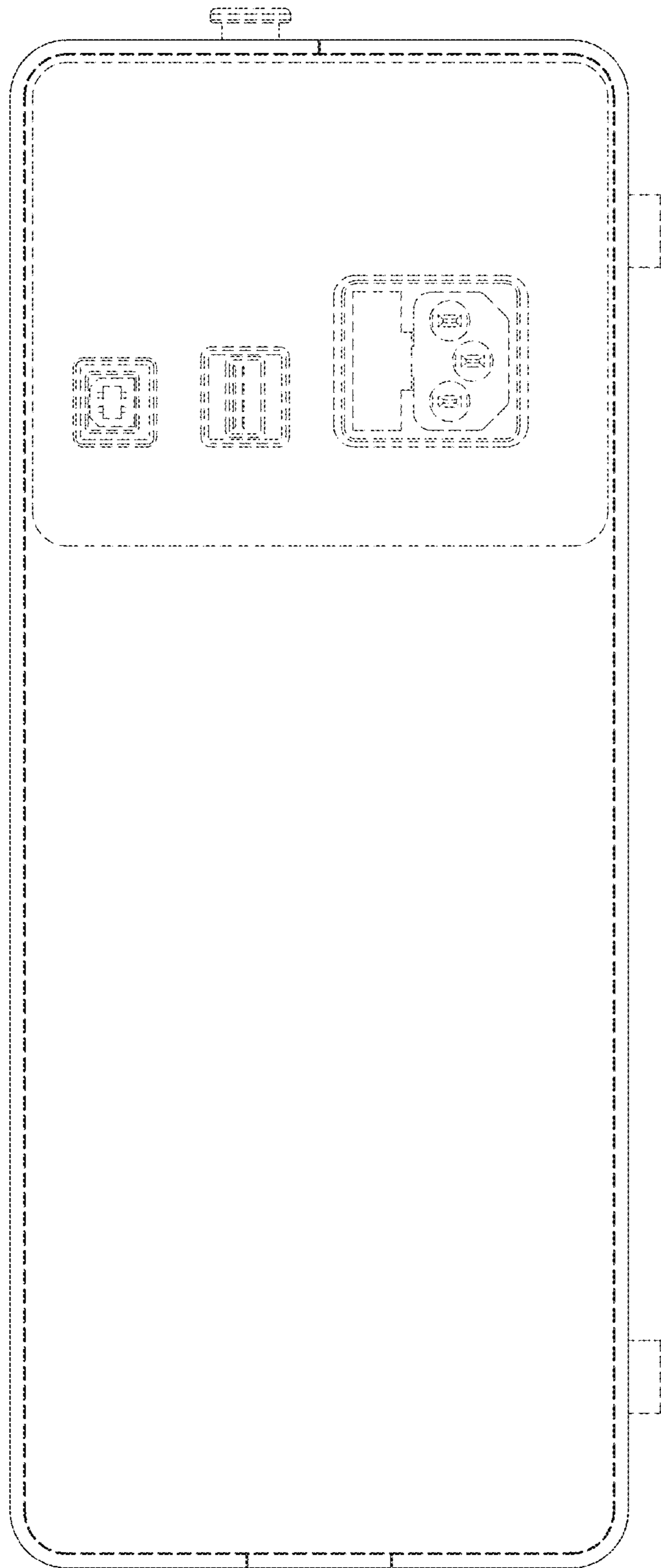


FIG. 10

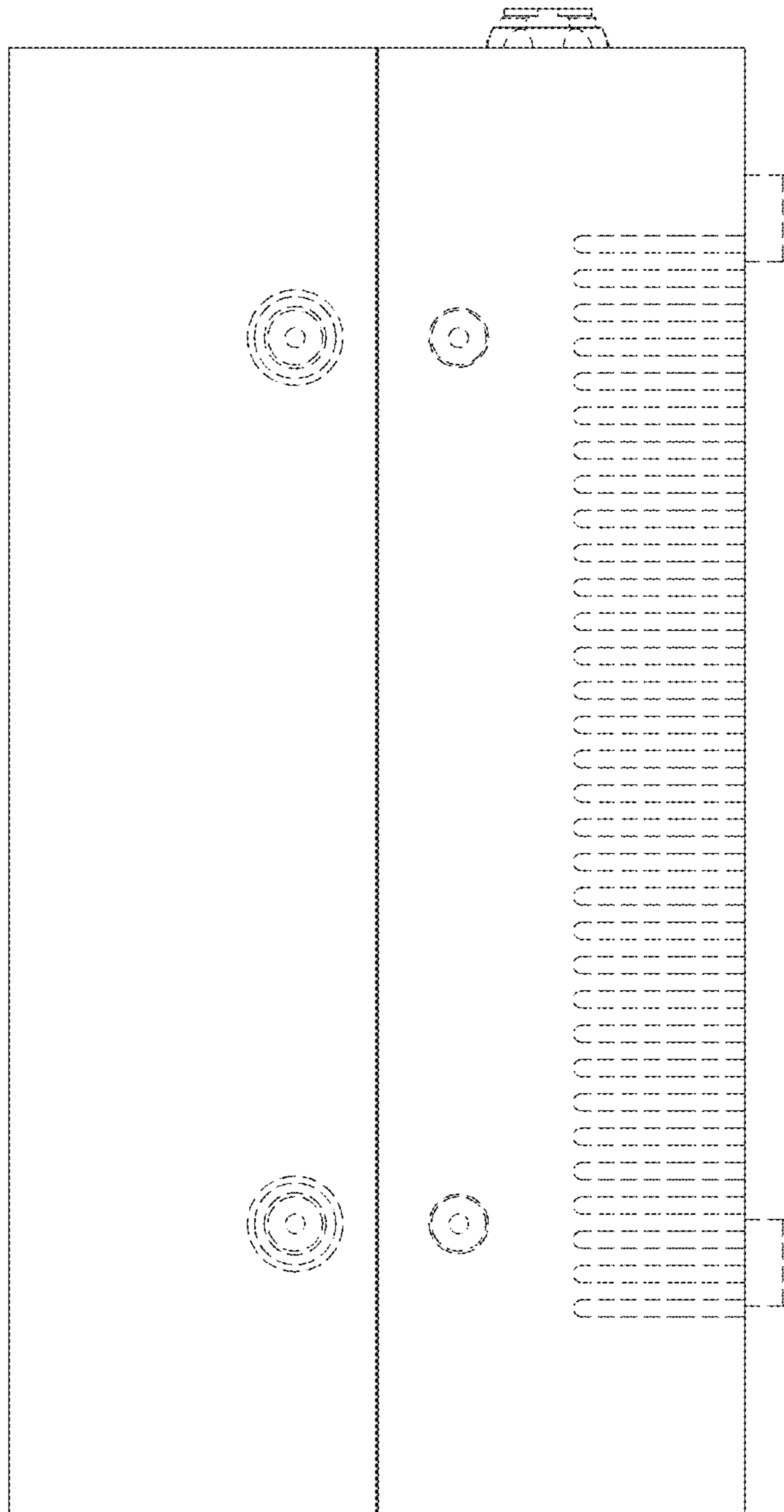


FIG. 11

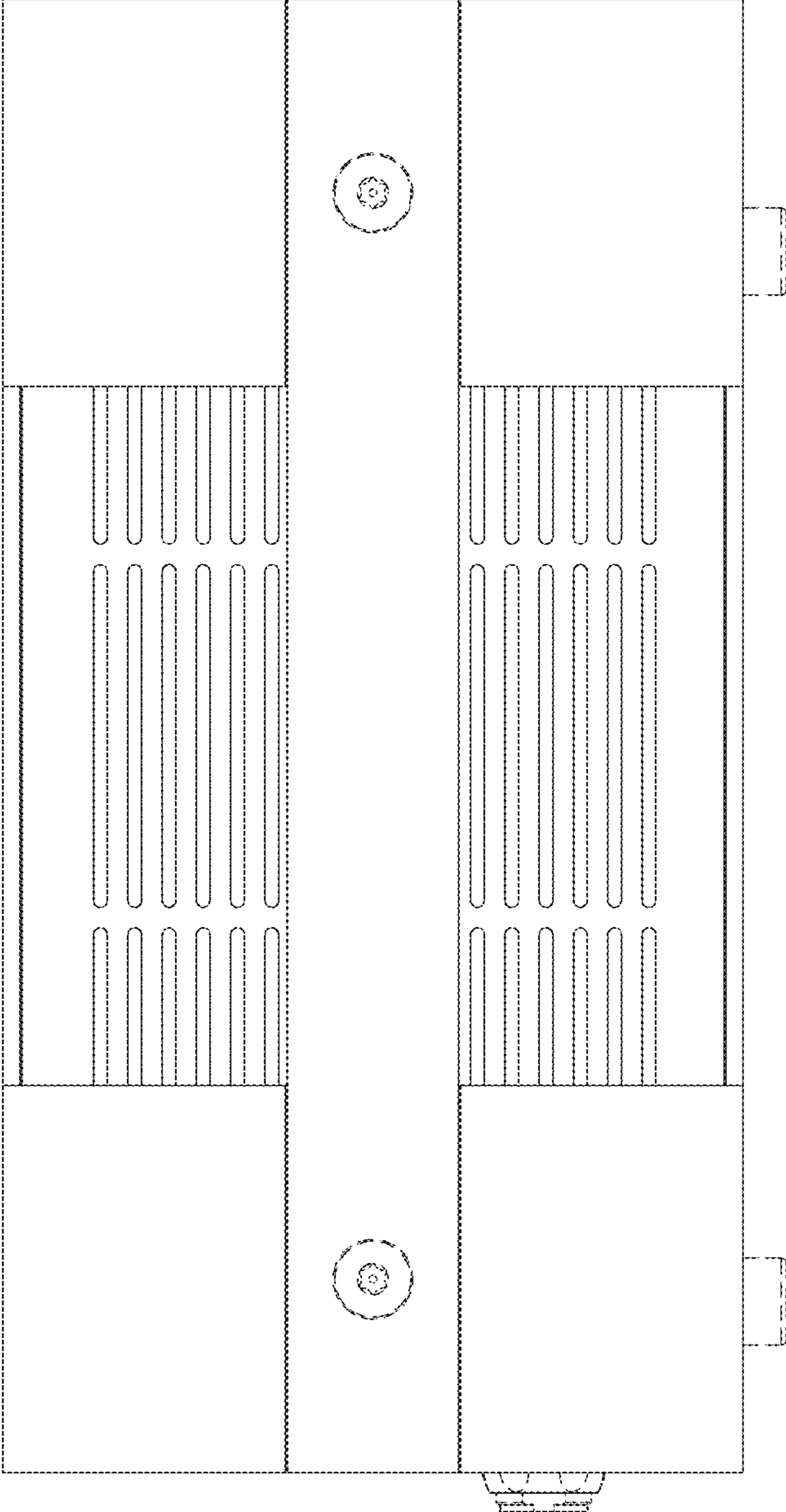


FIG. 12

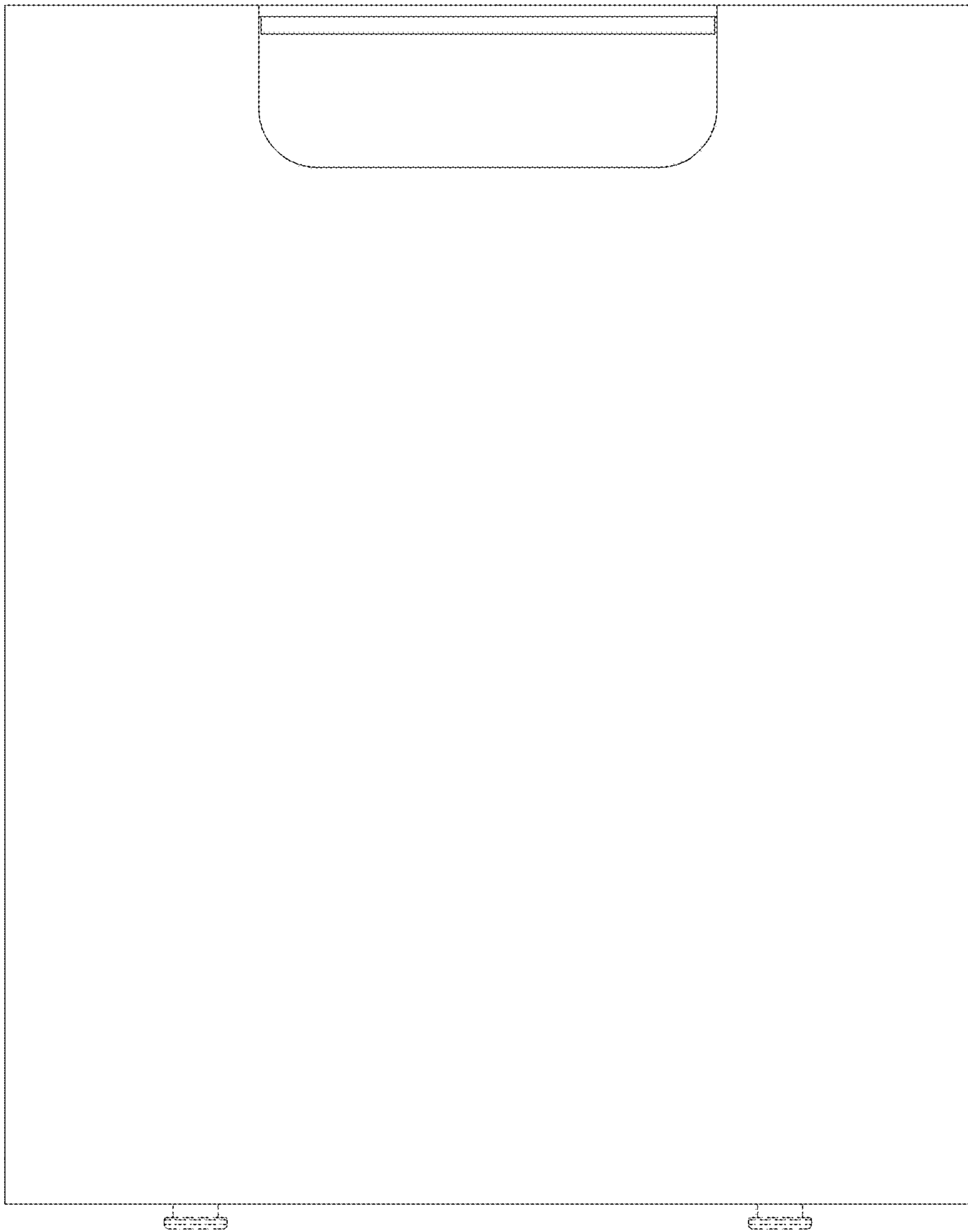


FIG. 13

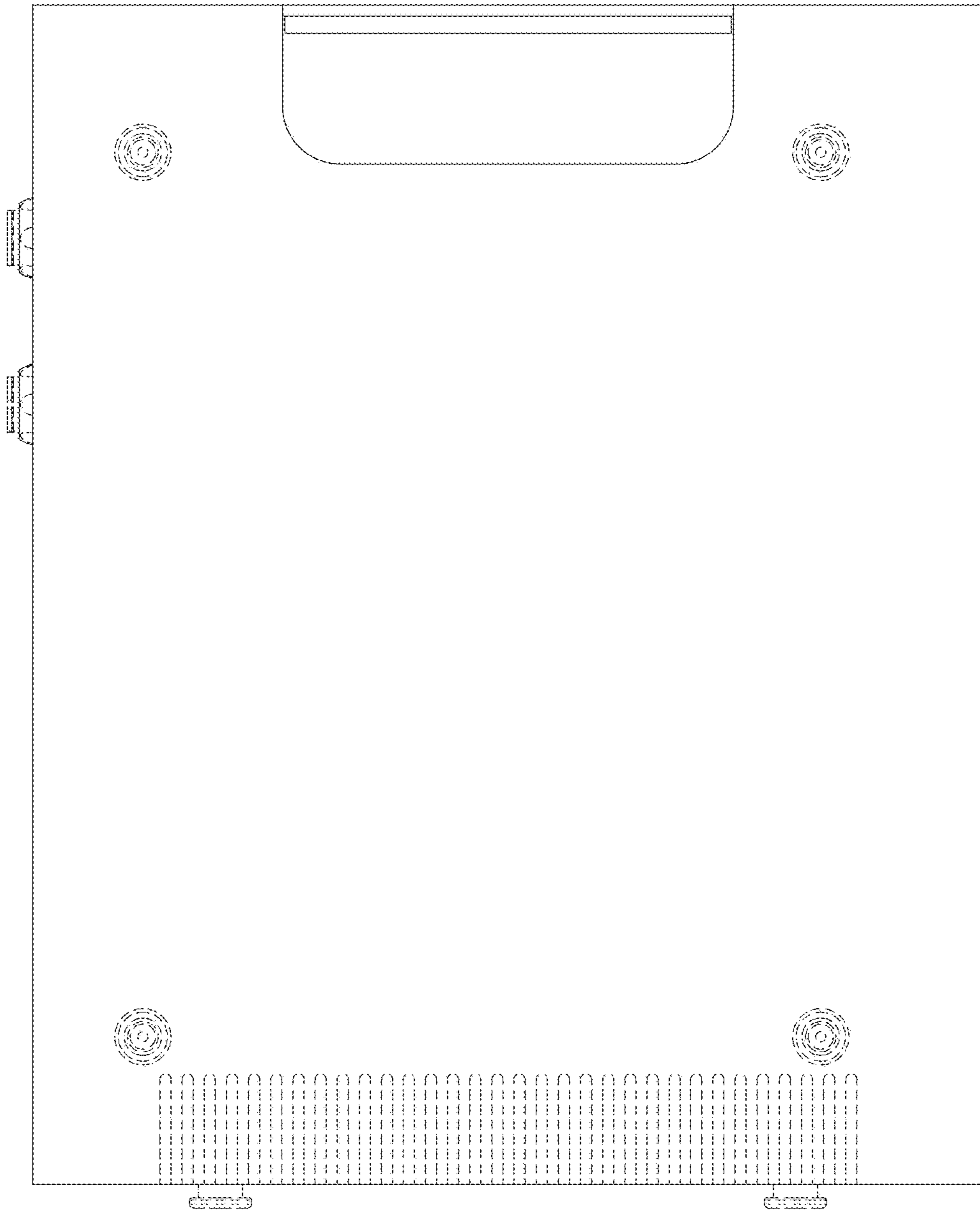


FIG. 14