



US00D797917S

(12) **United States Design Patent** (10) **Patent No.:** **US D797,917 S**
Oleson et al. (45) **Date of Patent:** **** Sep. 19, 2017**

(54) **FAN WITH LIGHT**
(71) Applicant: **DELTA T CORPORATION**,
Lexington, KY (US)
(72) Inventors: **Richard Oleson**, Lexington, KY (US);
Jason Williams, Wilmore, KY (US)
(73) Assignee: **DELTA T CORPORATION**,
Lexington, KY (US)

1,650,464 A 11/1927 Reed
1,831,394 A 11/1931 Reed et al.
D97,601 S 11/1935 Funk
D105,260 S 7/1937 Brannan
D113,347 S 1/1938 Funk
2,104,207 A 1/1938 Miles et al.
2,222,444 A 11/1940 Schmidt et al.
2,269,287 A 1/1942 Roberts
(Continued)

(**) Term: **15 Years**
(21) Appl. No.: **29/536,481**

AU 325331 S 3/2009
AU 328015 S 10/2009
(Continued)

(22) Filed: **Aug. 17, 2015**
(51) **LOC (10) Cl.** **14-02**
(52) **U.S. Cl.**
USPC **D23/385**
(58) **Field of Classification Search**
USPC D23/370, 355, 314, 414, 371, 377, 385,
D23/411, 383, 373, 378, 412; 415/121.1,
415/60, 66, 68, 208.1, 213.1, 214.1;
D14/432; D10/2; 310/257; 361/695;
126/299 D, 299 R
CPC F04D 29/329; F04D 29/526; F04D 25/082;
F04D 29/325; F04D 29/703; F04D
29/547; B65D 90/36; F23L 17/02; F24F
13/1406; F24F 1/02
See application file for complete search history.

FOREIGN PATENT DOCUMENTS

OTHER PUBLICATIONS

Photographs of Deka SV3 Fan—available for sale approximately
Jun. 25, 2014.

(Continued)
Primary Examiner — Cynthia Underwood
(74) *Attorney, Agent, or Firm* — King & Schickli, PLLC

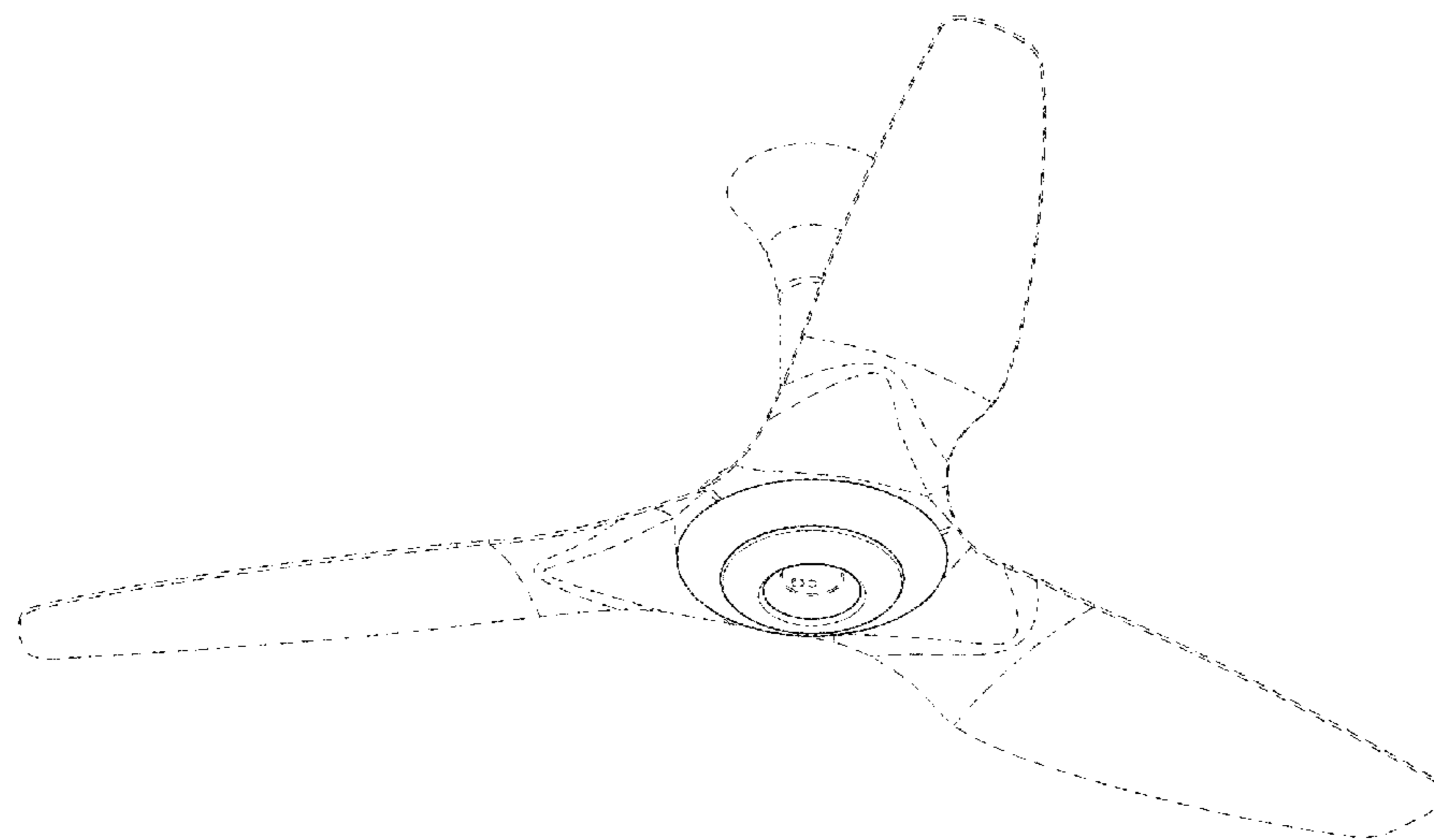
(57) **CLAIM**
The ornamental design for a fan with light, as shown and
described.

DESCRIPTION

FIG. 1 is a bottom perspective view of the invention;
FIG. 2 is a top perspective view of the invention;
FIG. 3 is a front view of the invention;
FIG. 4 is a right side view of the invention;
FIG. 5 is a rear view of the invention;
FIG. 6 is a left side view of the invention;
FIG. 7 is a top view of the invention; and,
FIG. 8 is a bottom view of the invention.
The broken lines represent portions of the structure that
forms no part of the claim.

(56) **References Cited**
U.S. PATENT DOCUMENTS
1,133,191 A 3/1915 Staples et al.
1,166,907 A 1/1916 Spencer
1,372,076 A 3/1921 Luense et al.
1,384,308 A 7/1921 De et al.
1,432,710 A 10/1922 Macmechen et al.
1,522,771 A 1/1925 Fales et al.
1,539,273 A 5/1925 Reed et al.
1,604,758 A 10/1926 Reed et al.
1,623,420 A 4/1927 Leinweber et al.

1 Claim, 8 Drawing Sheets



(56)

References Cited

U.S. PATENT DOCUMENTS

2013/0120935 A1* 5/2013 Huang G06F 1/20
361/695
2013/0183140 A1* 7/2013 Kappelman B60K 11/04
415/116
2013/0189109 A1 7/2013 Noble
2013/0251522 A1 9/2013 Oleson
2013/0259692 A1* 10/2013 Chen F04D 29/26
416/195
2013/0272879 A1 10/2013 Chen
2013/0280077 A1 10/2013 Iwamoto et al.
2013/0287581 A1* 10/2013 Aschermann F04D 29/384
416/223 R
2013/0302169 A1 11/2013 Hennes et al.
2013/0336797 A1 12/2013 Wang
2014/0030104 A1* 1/2014 Lee F04D 29/327
416/223 R
2014/0093405 A1* 4/2014 Chang F04D 25/064
417/354
2014/0119924 A1 5/2014 Hiner et al.
2014/0119925 A1 5/2014 Wang
2014/0133082 A1* 5/2014 Xu F04D 17/025
361/679.32
2014/0147282 A1* 5/2014 Hu F04D 25/0613
416/189
2015/0004022 A1 1/2015 Noble
2015/0086375 A1 3/2015 Kuramochi et al.
2015/0159672 A1* 6/2015 Lin F04D 29/646
417/354
2015/0198175 A1 7/2015 Lin
2015/0198180 A1 7/2015 Gajewski
2015/0204346 A1 7/2015 Gajewski
2015/0377241 A1 12/2015 Hoemann
2016/0018119 A1 1/2016 Desmet et al.

FOREIGN PATENT DOCUMENTS

AU 344439 S 9/2012
AU 344441 S 9/2012
AU 344442 S 9/2012
AU 344440 S 11/2012
BR MU8701580-3 U2 7/2009
CN 3035947 10/1995
CN 3052179 12/1996
CN 3326631 10/2003
CN 3342283 12/2003
CN 3373899 6/2004
CN 3379773 7/2004
CN 3464463 7/2005
CN 3608404 2/2007
CN 3613716 2/2007
CN 3643915 5/2007
CN 3657836 6/2007
CN 3669173 7/2007
CN 300719583 12/2007
CN 300776509 5/2008
CN 300831125 9/2008
CN 300831150 9/2008
CN 300943819 6/2009
CN 300952851 7/2009
CN 300966332 7/2009
CN 300980833 8/2009
CN 301099596 12/2009
CN 301118857 1/2010
CN 301118858 1/2010
CN 301118904 1/2010
CN 301149979 3/2010
CN 301167853 3/2010
CN 301167858 3/2010
CN 301202407 5/2010
CN 301220317 5/2010
CN 301220319 5/2010

CN 201546988 U 8/2010
CN 301321389 8/2010
CN 101876318 A 11/2010
CN 301386354 11/2010
CN 301403834 12/2010
CN 301515901 4/2011
CN 301524021 4/2011
CN 301582345 6/2011
CN 301687620 9/2011
CN 202056077 U 11/2011
CN 301735230 11/2011
CN 301735236 11/2011
CN 301735240 11/2011
CN 202132274 U 2/2012
CN 202165288 U 3/2012
CN 202560594 U 11/2012
CN 203189290 U 9/2013
CN 104033399 A 9/2014
CN 104100544 A 10/2014
CN 204003607 U 12/2014
CN 303071225 S 1/2015
CN 303120447 S 3/2015
CN 303340545 S 8/2015
CN 105221451 A 1/2016
CN 204961350 U 1/2016
CN 303566447 S 1/2016
CN 303218947 S 5/2016
DE 202005019872 U 7/2006
EM 000766829-0012 9/2007
EM 000766829-0015 9/2007
EM 000766829-0020 9/2007
EM 000766829-0027 9/2007
EM 000766829-0038 9/2007
EM 002095711-0004 3/2012
EM 002095711-0003 12/2012
EM 002095711-0005 12/2012
EM 002095711-0006 12/2012
EM 001356059-0001 1/2013
GB 2050058 7/1996
GB 3005085 7/2002
JP D1194006 1/2004
JP D1270347 5/2006
JP D1284753 10/2006
JP 2007247573 A 9/2007
JP 2012026380 A 2/2012
SG 193219 A1 9/2013
TW 203457 S1 4/1993
TW 204891 S1 4/1993
TW 241026 S1 2/1995
TW 352920 S1 2/1999
TW 467555 S1 12/2001
WO 2011138626 11/2011
WO 2015142871 A1 9/2015

OTHER PUBLICATIONS

HaikuWithSenseME-Black—from TinEye, image post date Jun. 7, 2014, site visited Apr. 16, 2016, (online), <https://www.tineye.com/search/4a9cabb9aagebebe894bd693e56e486a84703fcb1?sort=crawl_date&order=asc>.
Big Ass Fans Haiku Ceiling Fan with SenseME—from CNET, image post date Jun. 4, 2014, site visited Apr. 16, 2016, (online), <<http://www.cnet.com/products/big-ass-fans-haiku-ceiling-fan-with-senseme/>>.
Haiku 5 Foot Ceiling Fan—from YouTube, image post date Jul. 16, 2013, site visited Apr. 16, 2016, (online), <https://www.youtube.com/watch?v=OAWveTjw_S4>.
Office Action dated Apr. 29, 2016 U.S. Appl. No. 29/531,907 66 Pages.
U.S. Appl. No. 29/531,907, filed Jun. 30, 2015.

* cited by examiner

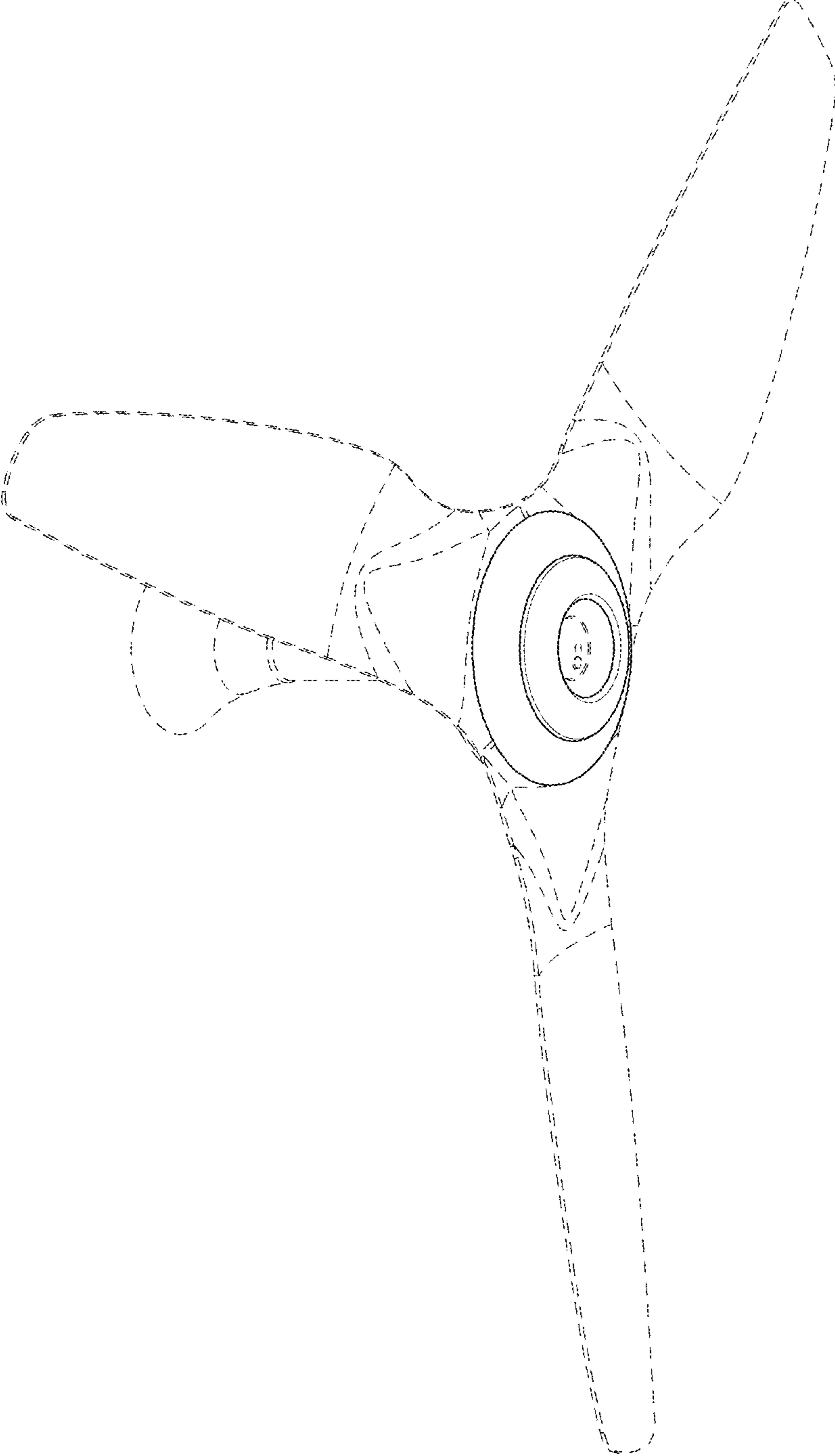


FIG. 1

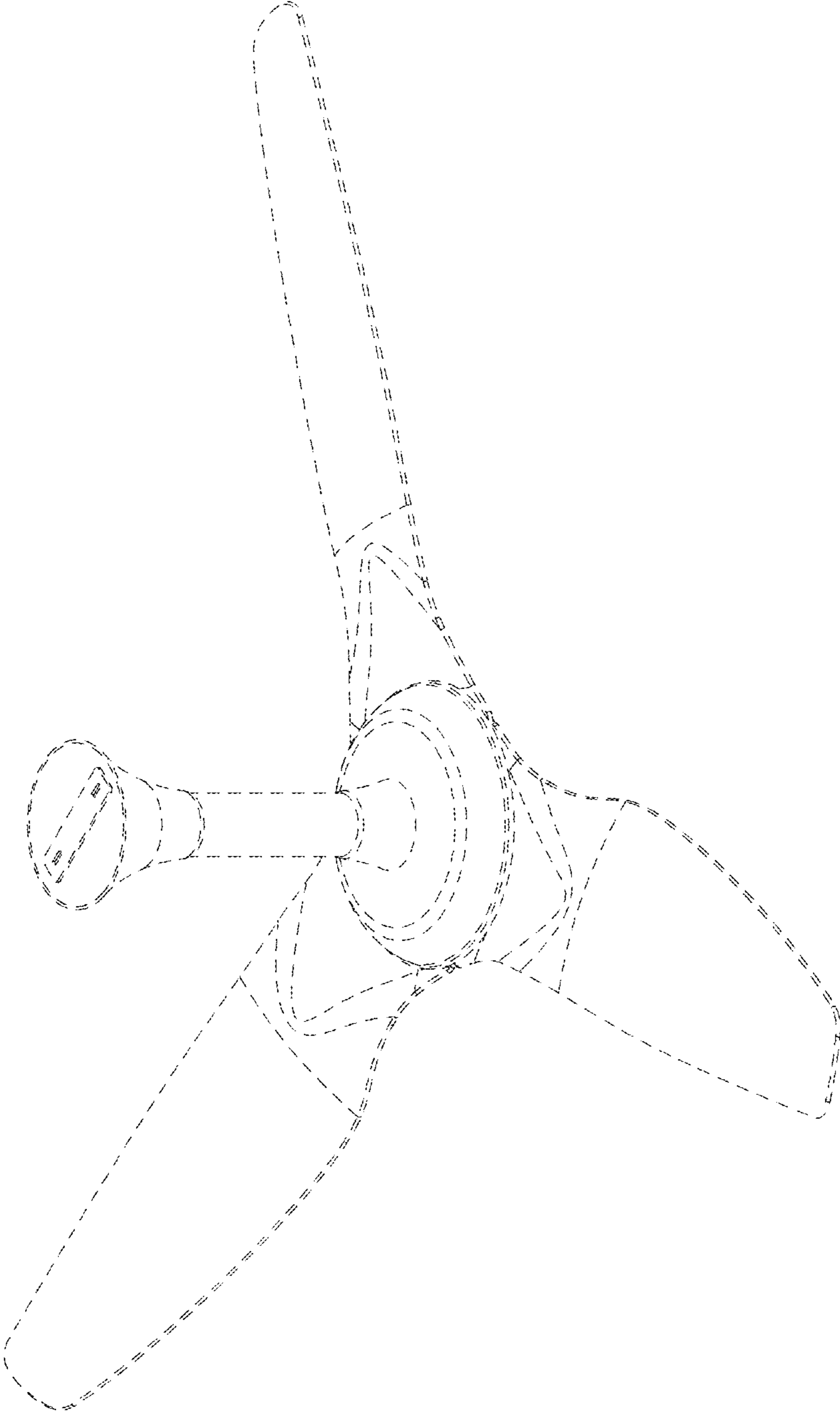


FIG. 2

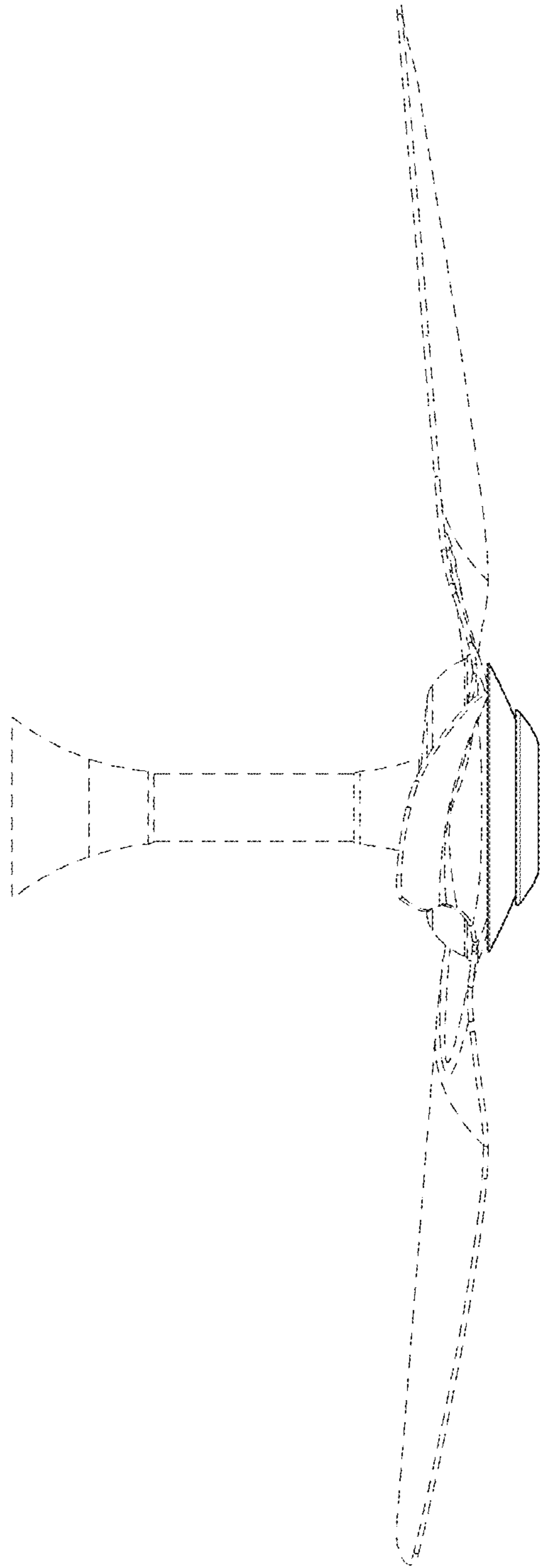


FIG. 3

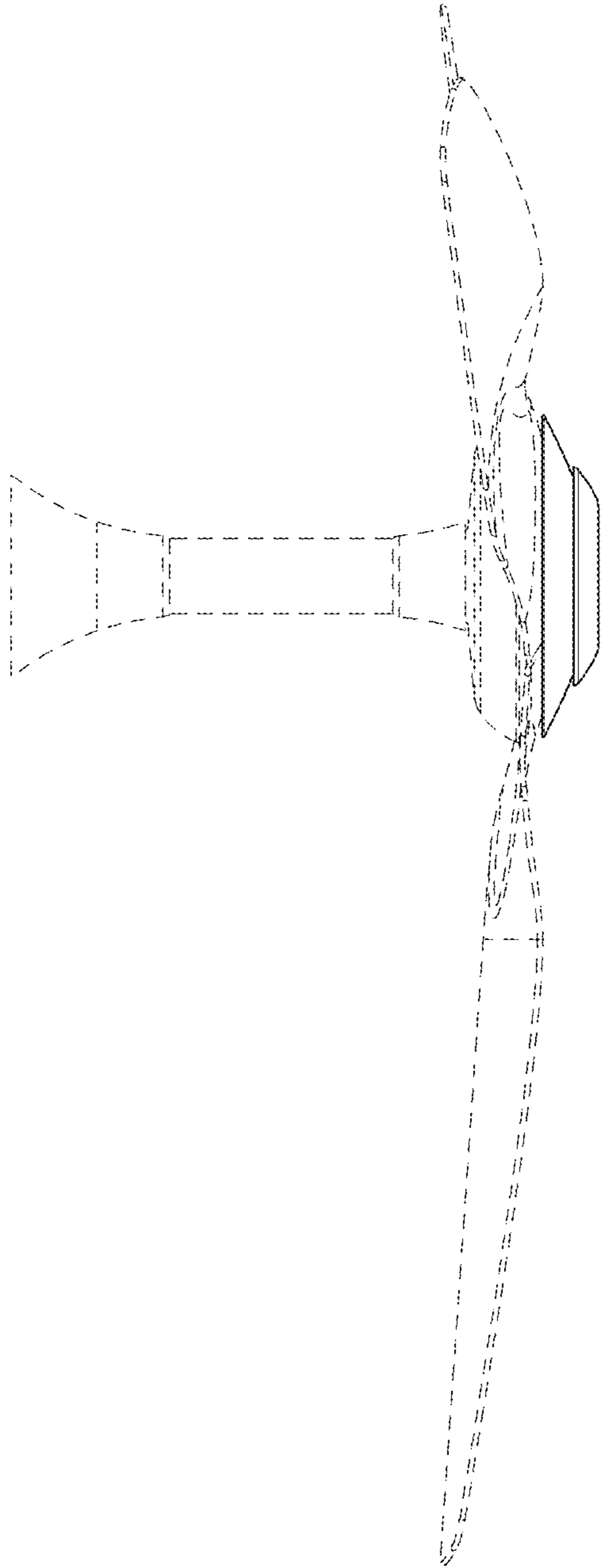


FIG. 4

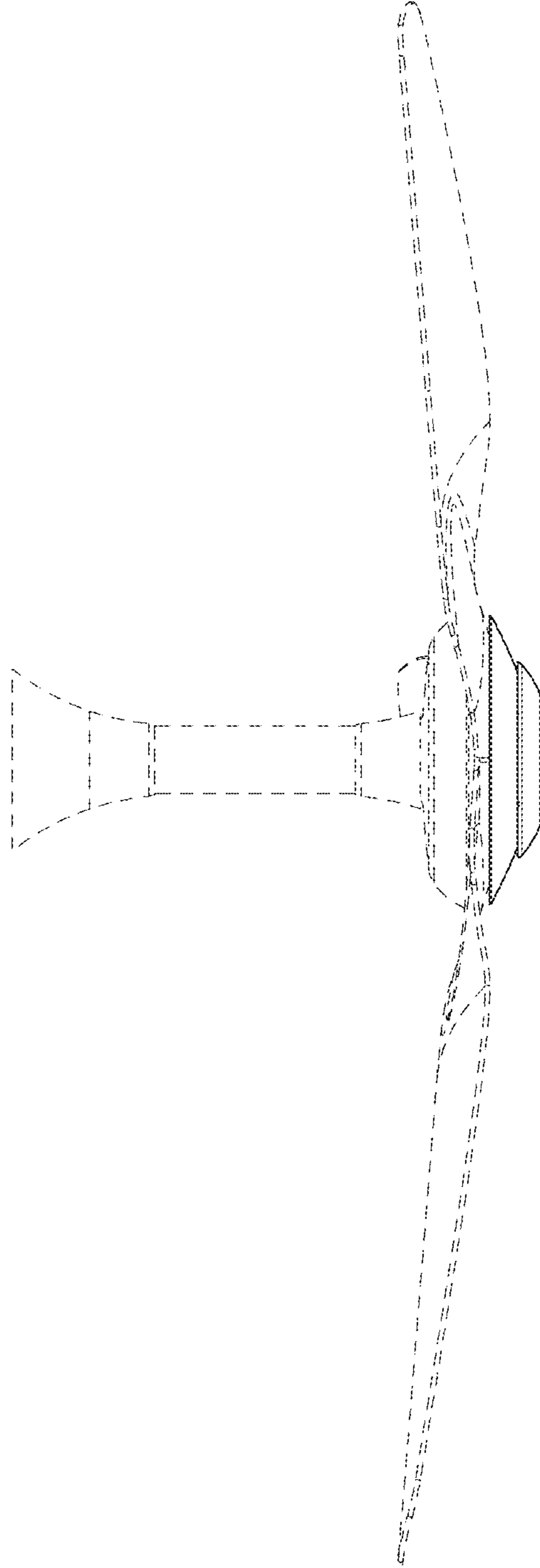


FIG. 5

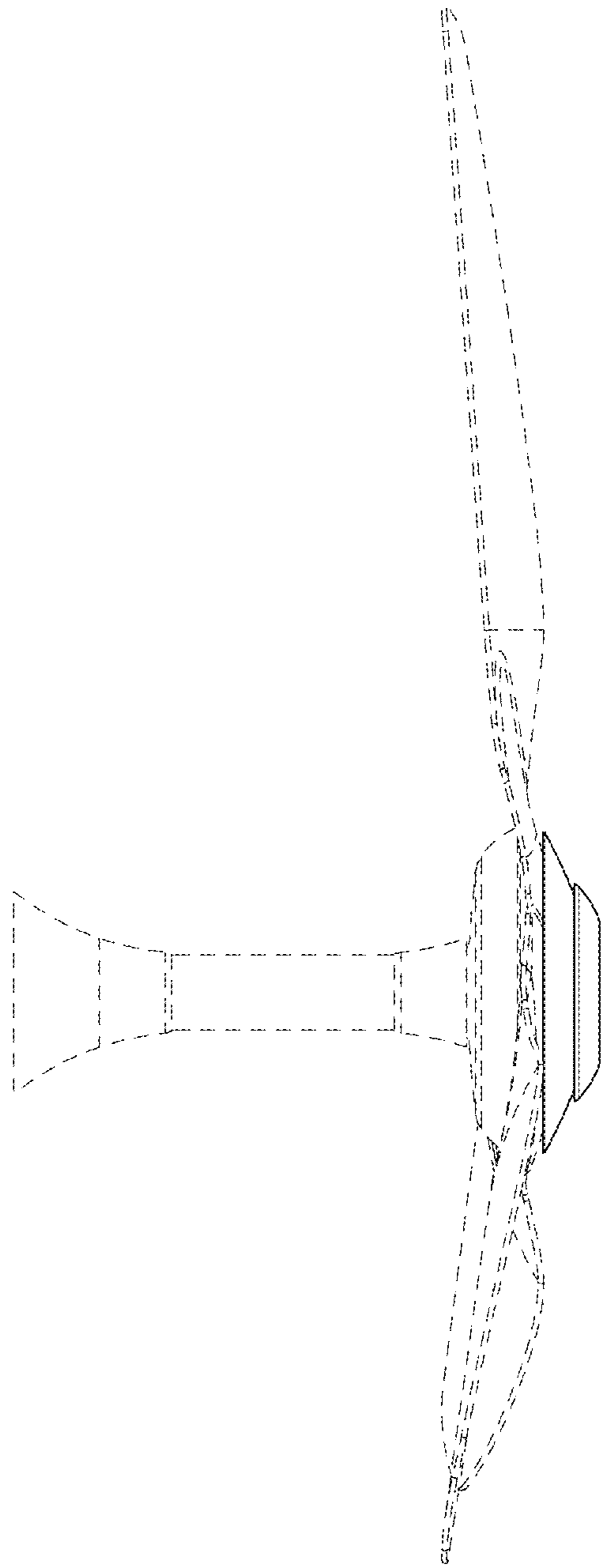


FIG. 6

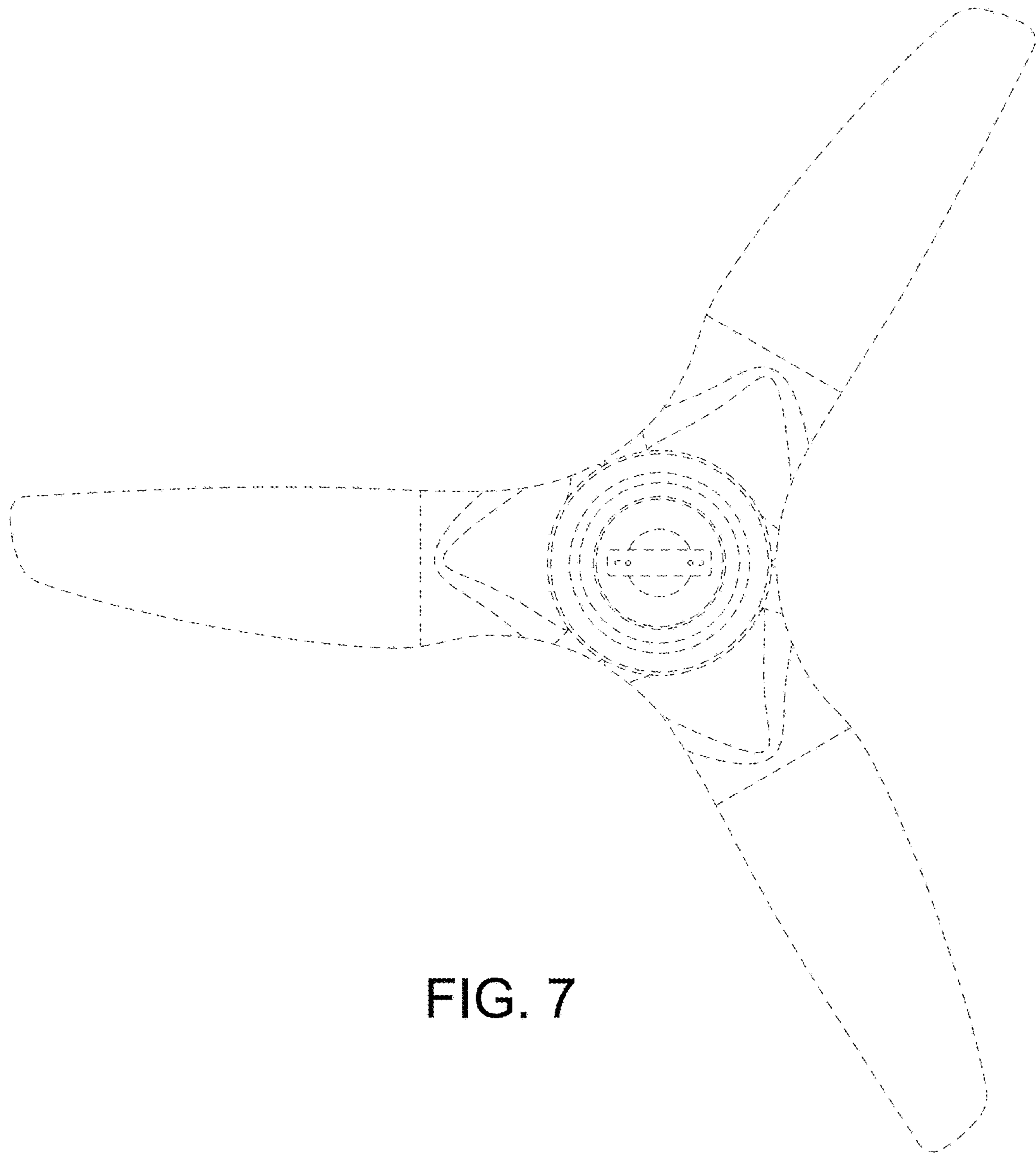


FIG. 7

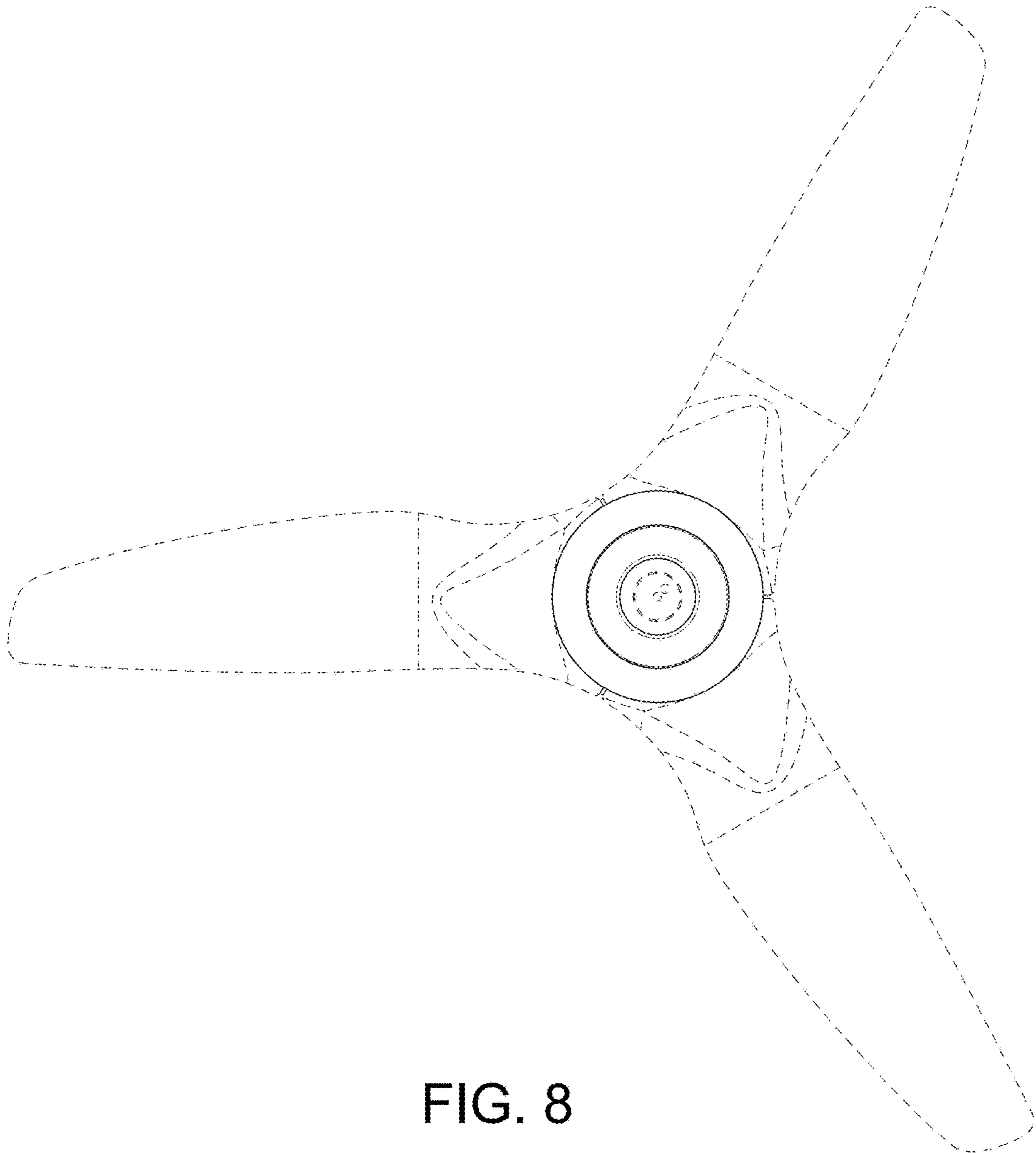


FIG. 8