



US00D797916S

(12) **United States Design Patent**
Gobber et al.

(10) **Patent No.:** **US D797,916 S**

(45) **Date of Patent:** **** Sep. 19, 2017**

(54) **AIR FRESHENER DISPENSER**

CPC ... A61L 9/02; A61L 9/03; A61L 9/034; A61L 9/04; A61L 9/12; A61L 9/032; A61L 9/122; A61L 9/127; A61L 9/22

(71) Applicant: **ZOBELE HOLDING SPA**, Trento (IT)

See application file for complete search history.

(72) Inventors: **Cedric Gobber**, Barcelona (ES);
Joaquim Llorente Alonso, Barcelona (ES)

(56) **References Cited**

(73) Assignee: **ZOBELE HOLDING S.P.A.**, Trento (IT)

U.S. PATENT DOCUMENTS

(**) Term: **15 Years**

(21) Appl. No.: **35/500,955**

D622,991 S *	9/2010	MacDonald	D6/542
D626,365 S *	11/2010	Yang	D6/542
D659,453 S *	5/2012	Fernandes	D6/542
D661,932 S *	6/2012	DelGigante	D6/542
D663,143 S *	7/2012	DelGigante	D6/542
D676,697 S *	2/2013	Chopdat	D6/542
D690,530 S *	10/2013	Clough	D6/542
D765,440 S *	9/2016	Clough	D6/542
D773,627 S *	12/2016	Benamor	D23/366
D776,800 S *	1/2017	King	D23/366

(22) Filed: **Nov. 18, 2015**

(80) **Hague Agreement Data**

* cited by examiner

Int. Filing Date: **Nov. 18, 2015**

Primary Examiner — Keli L Hill

Int. Reg. No.: **DM/088272**

(74) *Attorney, Agent, or Firm* — Ostrolenk Faber LLP

Int. Reg. Date: **Nov. 18, 2015**

Int. Reg. Pub. Date: **May 20, 2016**

(57) **CLAIM**

(30) **Foreign Application Priority Data**

The ornamental design for an air freshener dispenser, as shown and described.

May 18, 2015 (EM) 002702340-0008

(51) **LOC (10) Cl.** **28-99**

(52) **U.S. Cl.**

USPC **D23/366**; D6/542

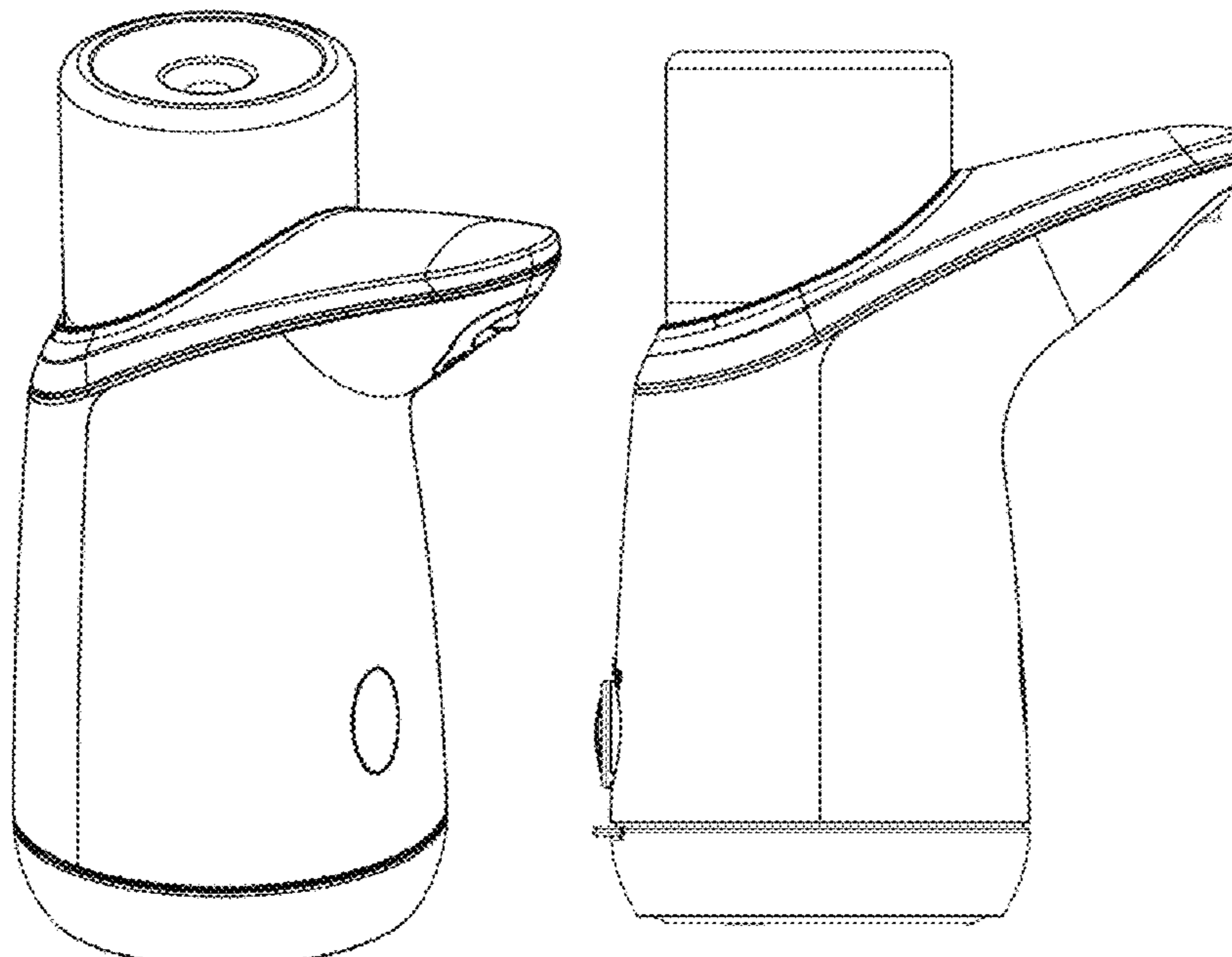
(58) **Field of Classification Search**

USPC D23/355-369; D28/5, 6; 261/DIG. 17, 261/DIG. 42, DIG. 47, DIG. 55, DIG. 65, 261/DIG. 70, DIG. 88, DIG. 89; 392/386, 392/389, 394, 395, 403; 239/34, 44, 45, 239/53, 56; D6/542

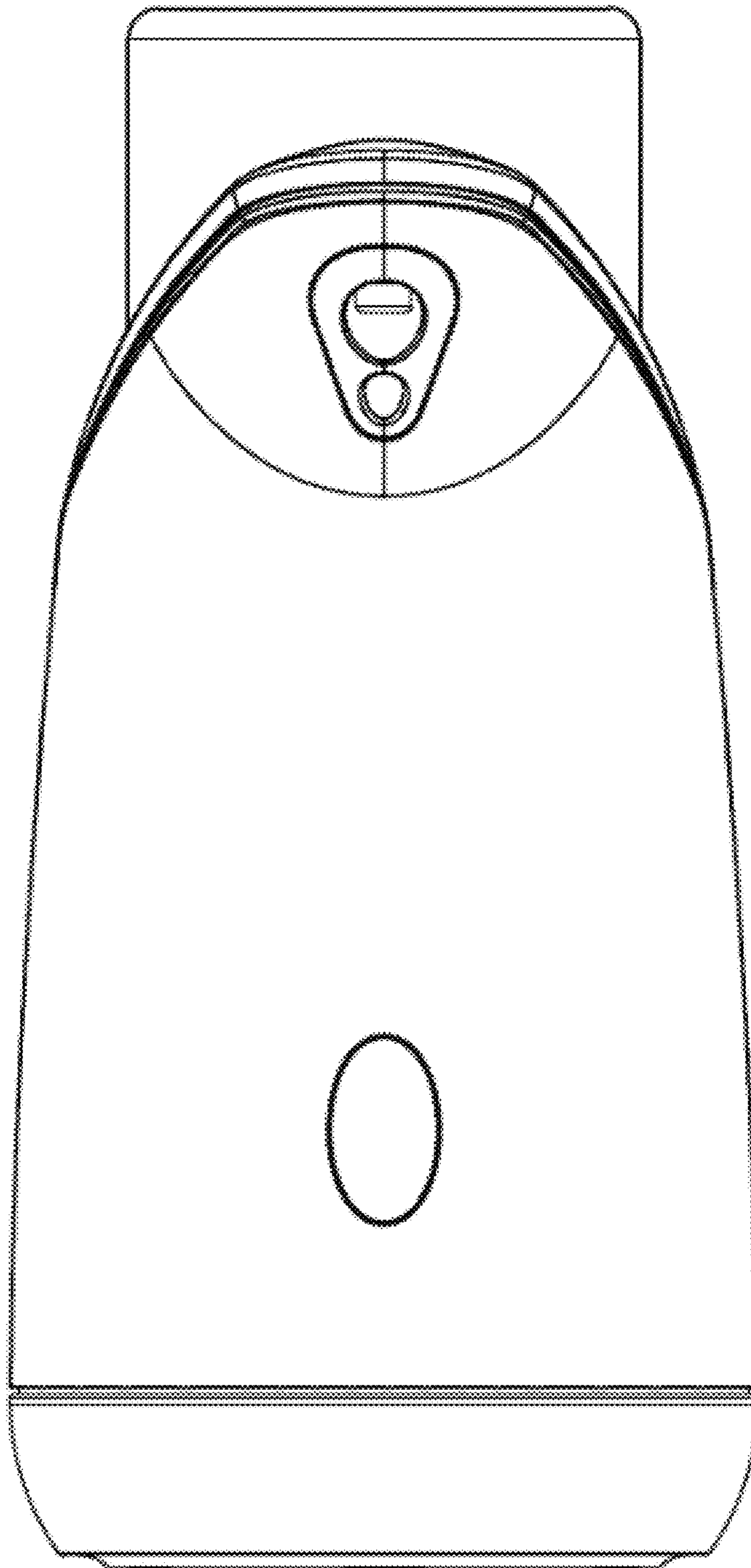
DESCRIPTION

1. Air freshener dispenser
- 1.1 is a front elevation view.
- 1.2 is a rear elevation view.
- 1.3 is a top plan view.
- 1.4 is a bottom, front and side perspective view.
- 1.5 is a top, front and side perspective view.
- 1.6 is a side elevation view.
- 1.7 is a bottom plan view.

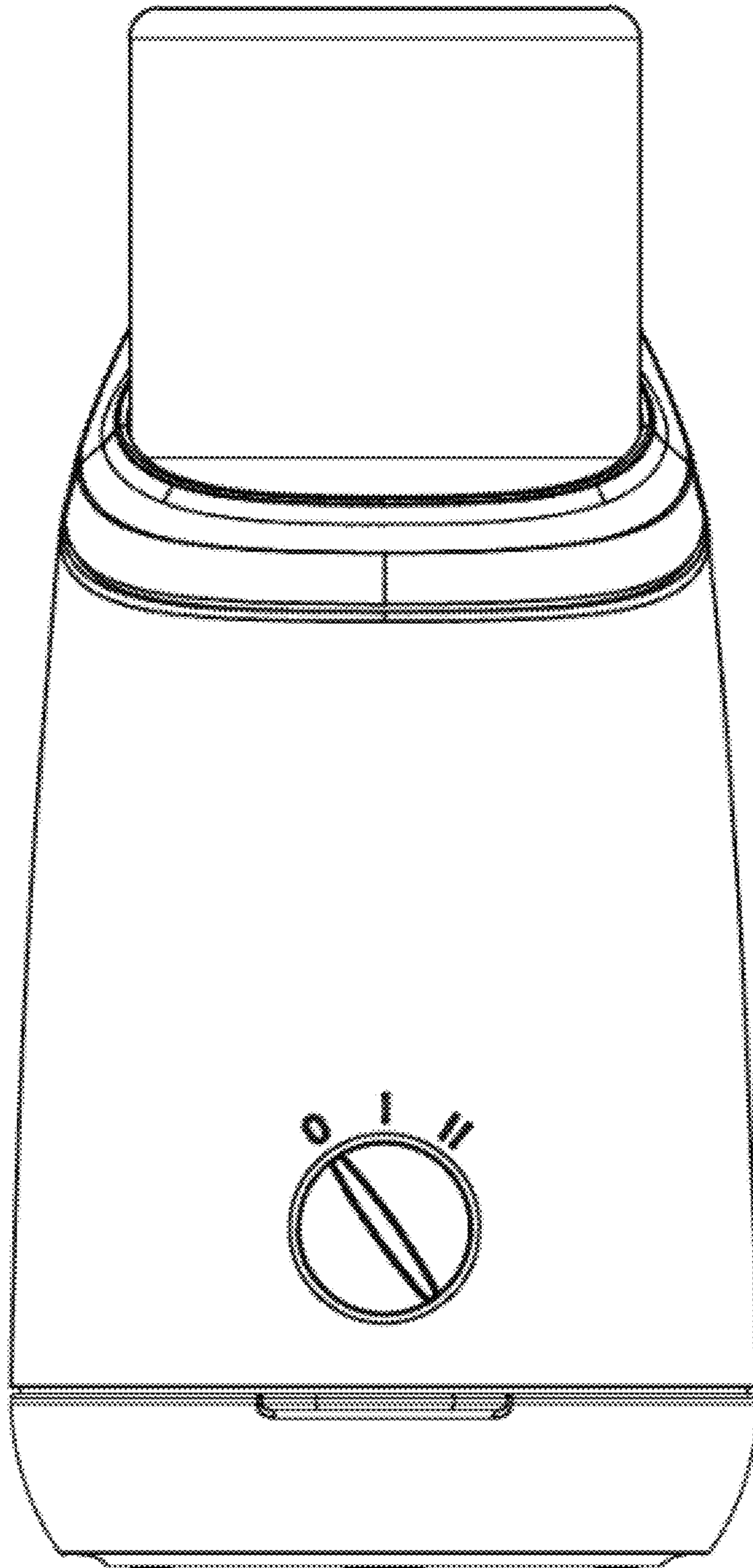
1 Claim, 7 Drawing Sheets



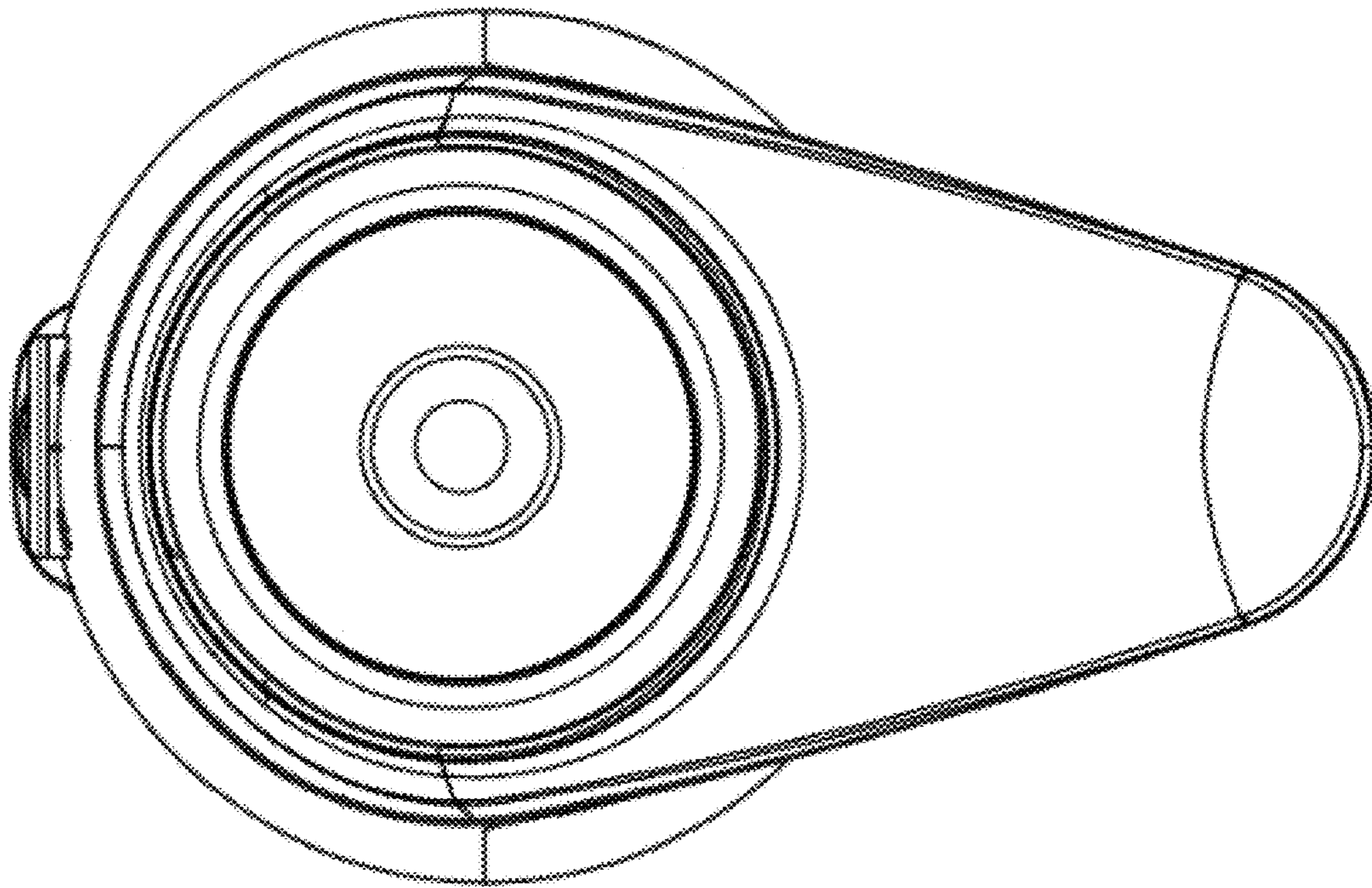
1.1



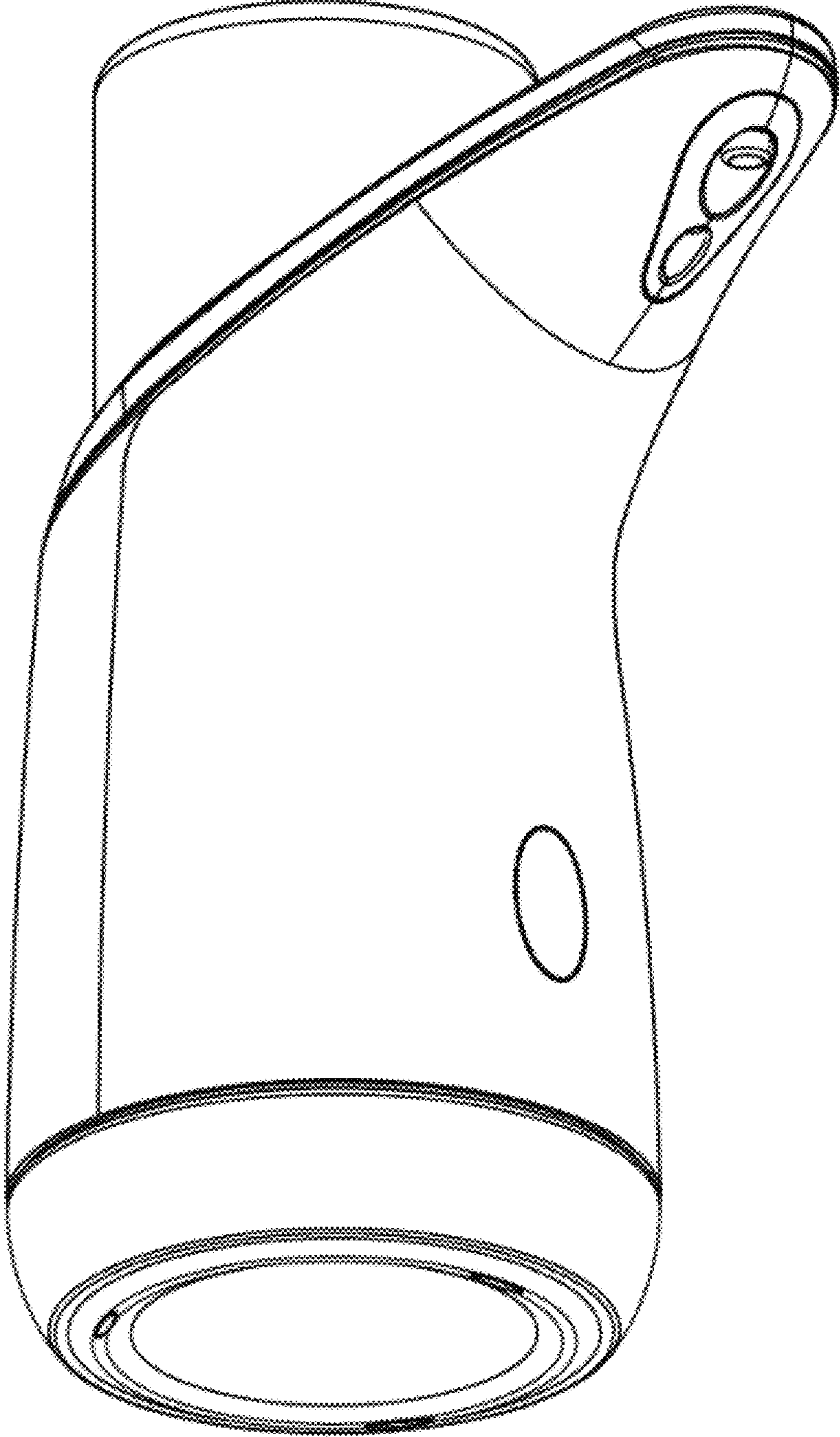
1.2



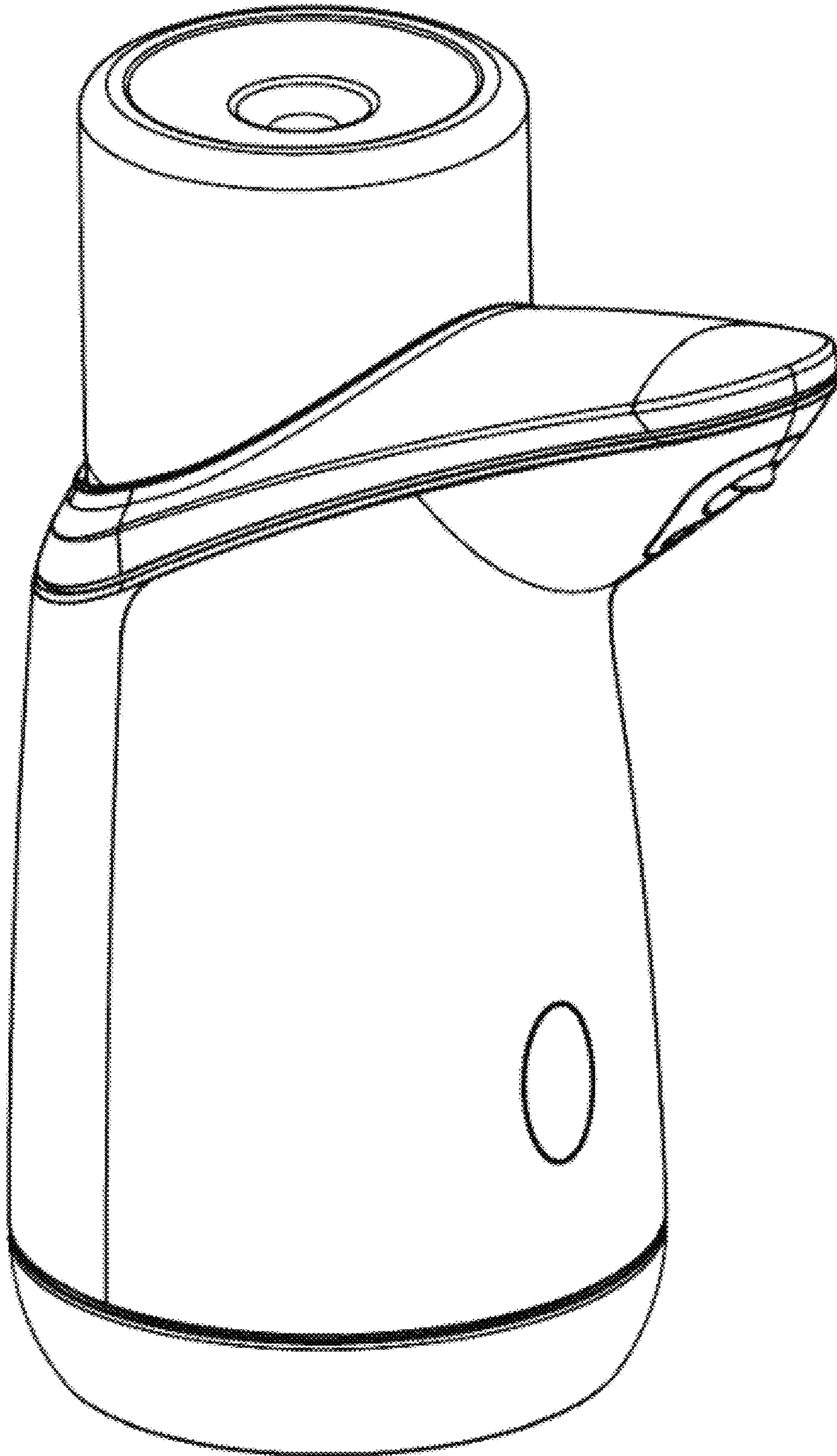
1.3



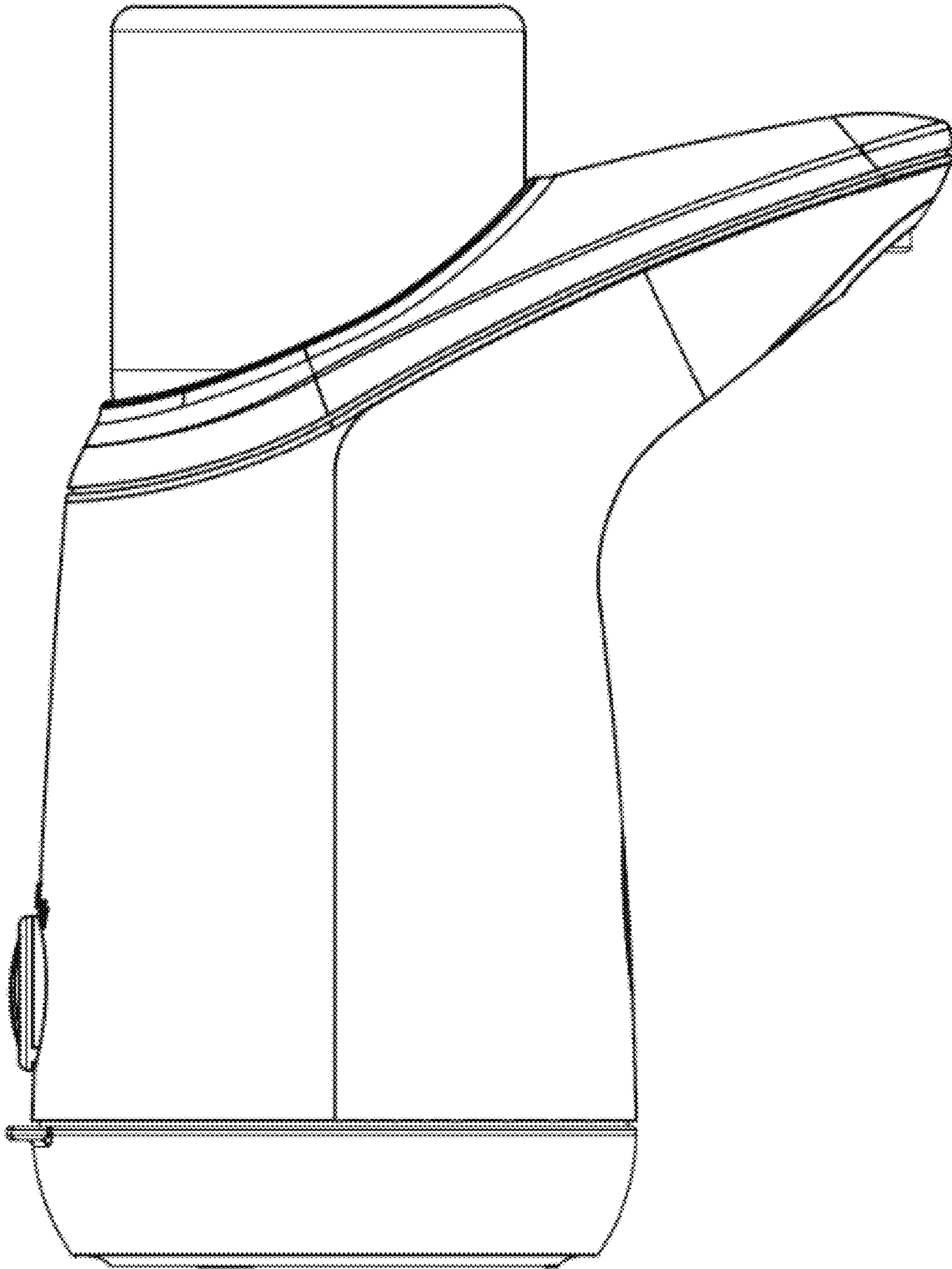
1.4



1.5



1.6



1.7

