



US00D797912S

(12) **United States Design Patent**  
**Kim et al.**

(10) **Patent No.:** **US D797,912 S**

(45) **Date of Patent:** **\*\* Sep. 19, 2017**

(54) **AIR CONDITIONER**

(71) Applicant: **LG Electronics Inc.**, Seoul (KR)

(72) Inventors: **Myungshik Kim**, Seoul (KR); **Jinwon Kang**, Seoul (KR); **Yong Kim**, Seoul (KR)

(73) Assignee: **LG Electronics Inc.**, Seoul (KR)

(\*\*) Term: **14 Years**

(21) Appl. No.: **29/510,111**

(22) Filed: **Nov. 25, 2014**

(30) **Foreign Application Priority Data**

May 28, 2014 (KR) ..... 30-2014-0026322

(51) **LOC (10) Cl.** ..... **23-04**

(52) **U.S. Cl.**  
USPC ..... **D23/351**

(58) **Field of Classification Search**  
USPC ..... D23/333, 335, 341, 342, 351, 353, 354,  
D23/355, 356, 359, 364, 365, 370, 385,  
D23/386, 388, 393  
CPC .... F24F 1/00; F24F 1/0007; F24F 1/02; F24F  
1/08; F24F 1/42; F24F 1/56; F24F 1/60;  
F24F 3/044; F24F 3/048; F24F 3/16;  
F24F 7/00; F24F 7/04; F24F 12/001;  
F24F 12/006  
See application file for complete search history.

(56) **References Cited**

**U.S. PATENT DOCUMENTS**

D293,713 S \* 1/1988 Morita ..... D23/353  
D487,142 S \* 2/2004 Yoo ..... D23/351

D502,255 S \* 2/2005 Kim ..... D23/351  
D558,864 S \* 1/2008 Yoo ..... D23/351  
D560,787 S \* 1/2008 Yoo ..... D23/351  
D595,397 S \* 6/2009 Park ..... D23/351  
D722,148 S \* 2/2015 Kim ..... D23/351  
D726,295 S \* 4/2015 Kim ..... D23/351  
D768,276 S \* 10/2016 Kim ..... D23/354  
D770,787 S \* 11/2016 Kim ..... D6/351

\* cited by examiner

*Primary Examiner* — George D. Kirschbaum

*Assistant Examiner* — Natasha Vujcic

(74) *Attorney, Agent, or Firm* — Morgan, Lewis & Bockius LLP

(57) **CLAIM**

The ornamental design for an air conditioner, as shown and described.

**DESCRIPTION**

FIG. 1 is a perspective view of an air conditioner showing our new design;  
FIG. 2 is a front view thereof;  
FIG. 3 is a rear view thereof;  
FIG. 4 is a left side view thereof where the right side view is a mirror image;  
FIG. 5 is a top plan view thereof; and,  
FIG. 6 is a bottom plan view thereof.  
The broken lines shown in the figures are directed to environment and illustrate unclaimed features. The broken lines form no part of the claimed design.

**1 Claim, 5 Drawing Sheets**

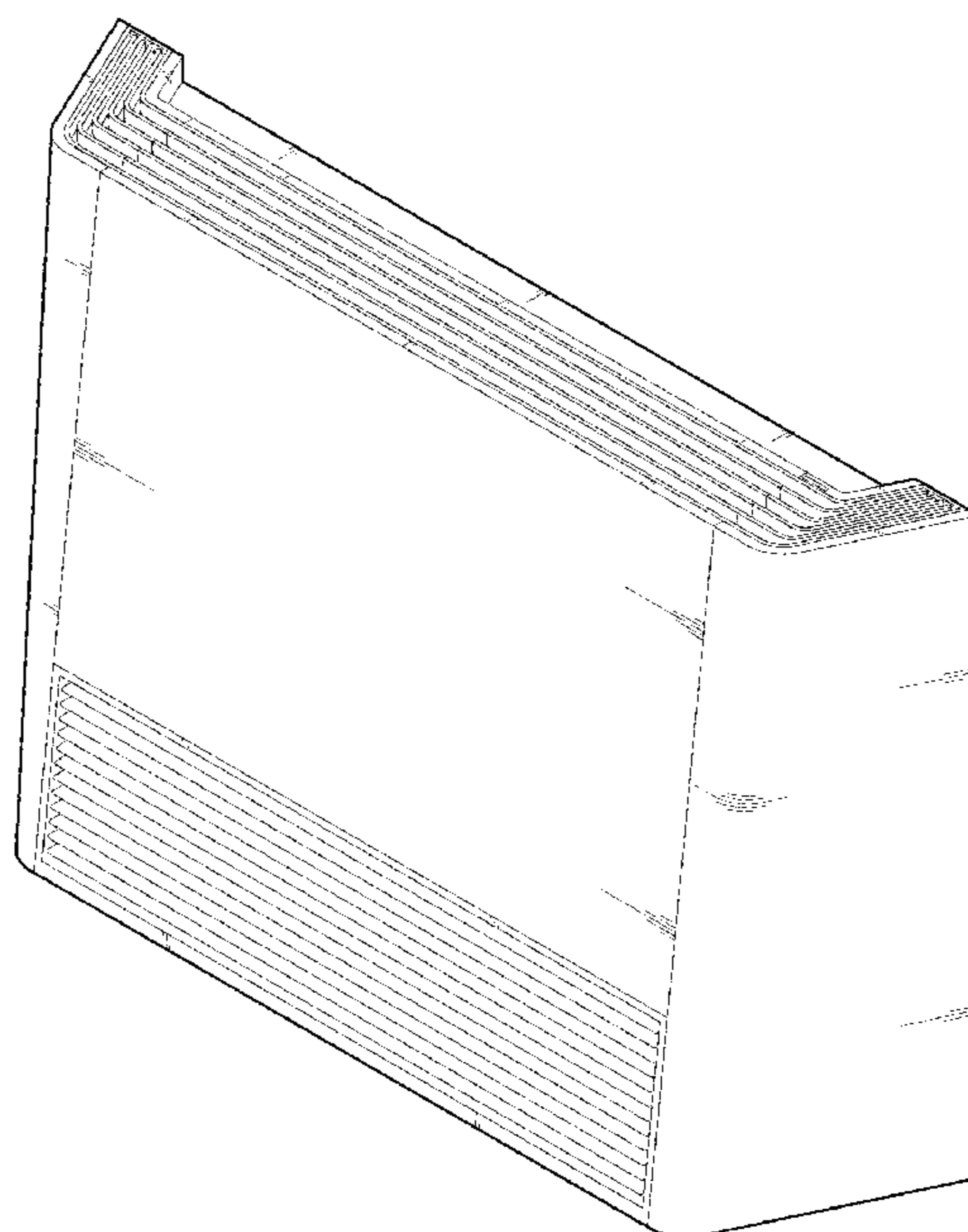


FIG. 1

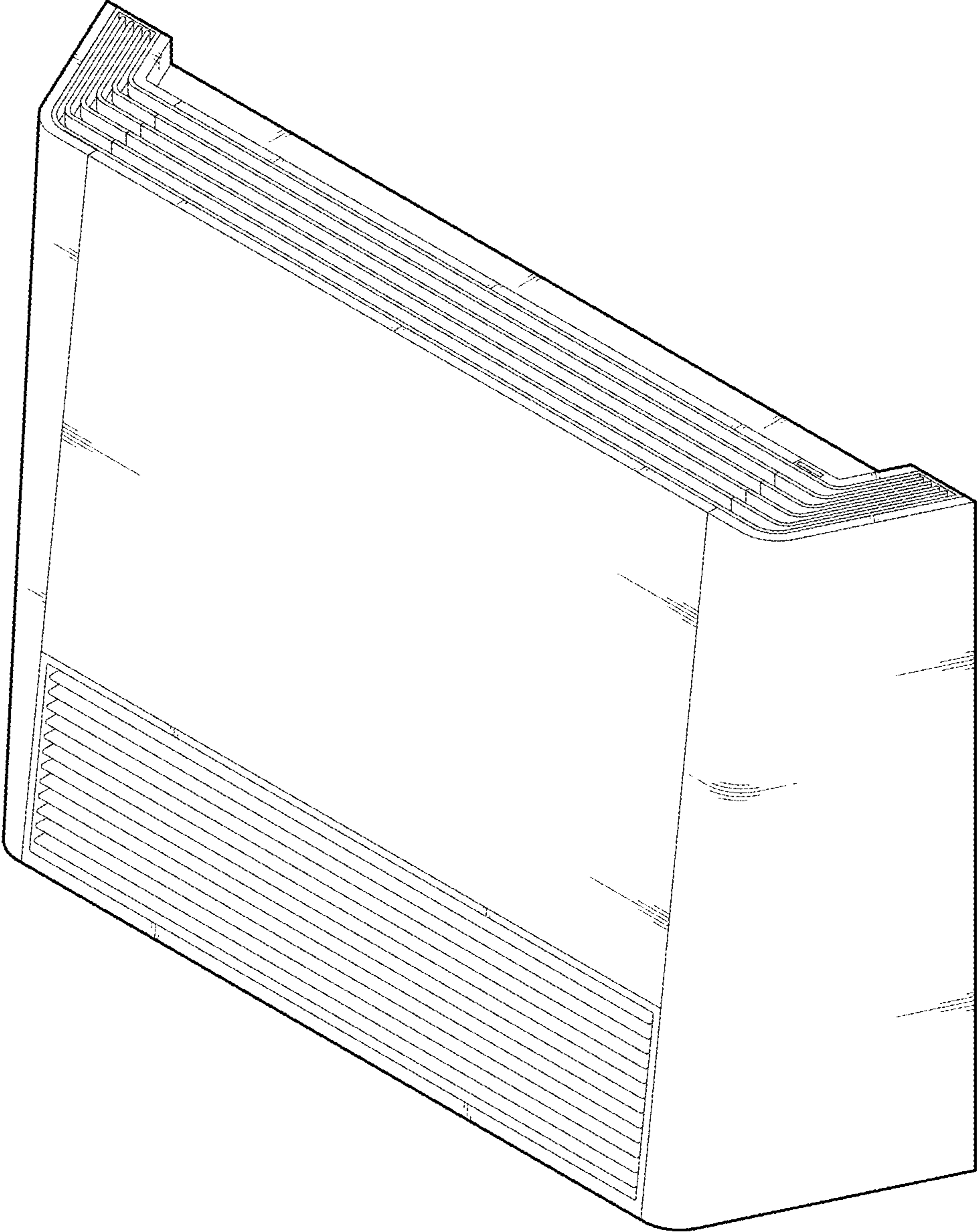


FIG. 2

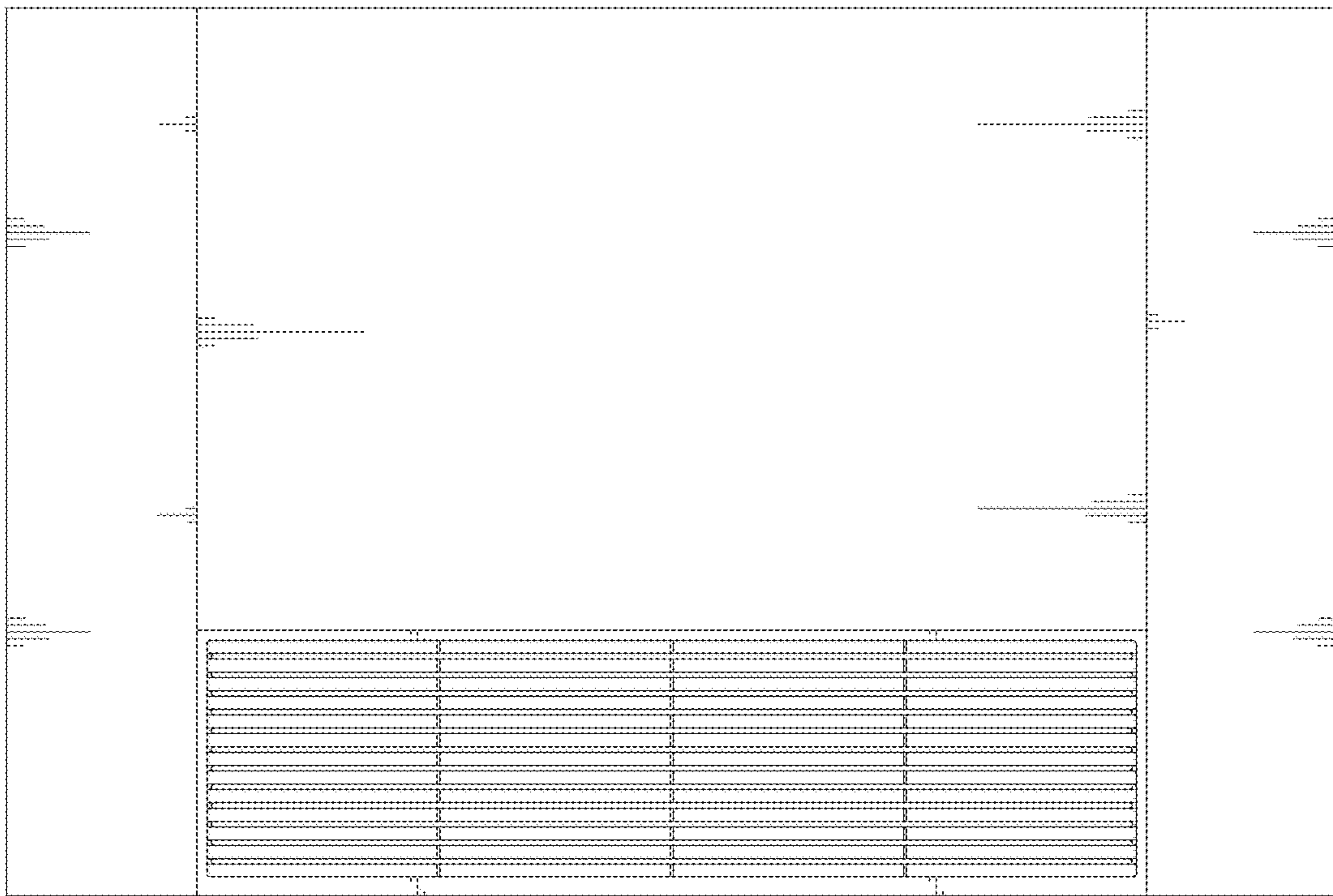


FIG. 3

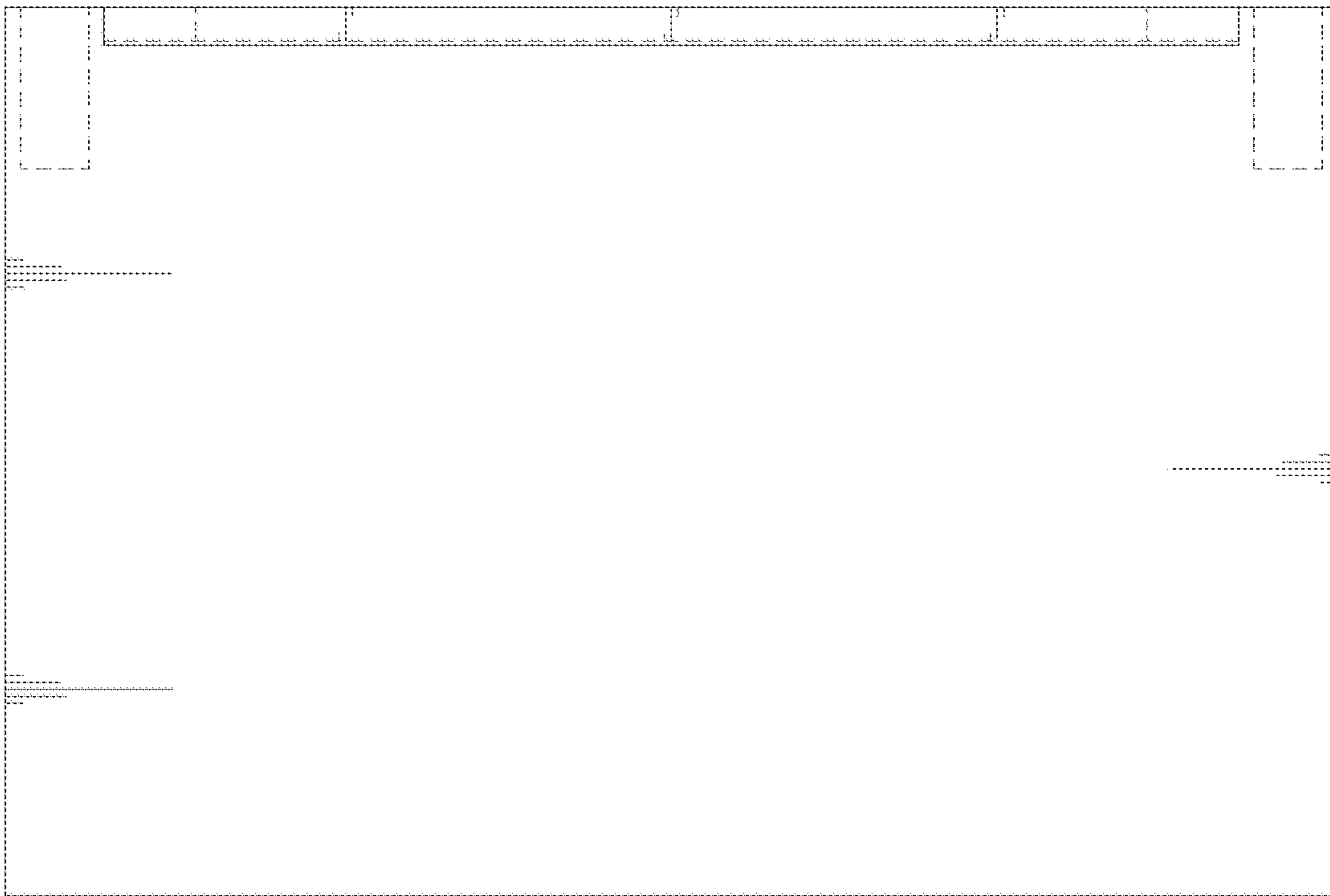


FIG. 4

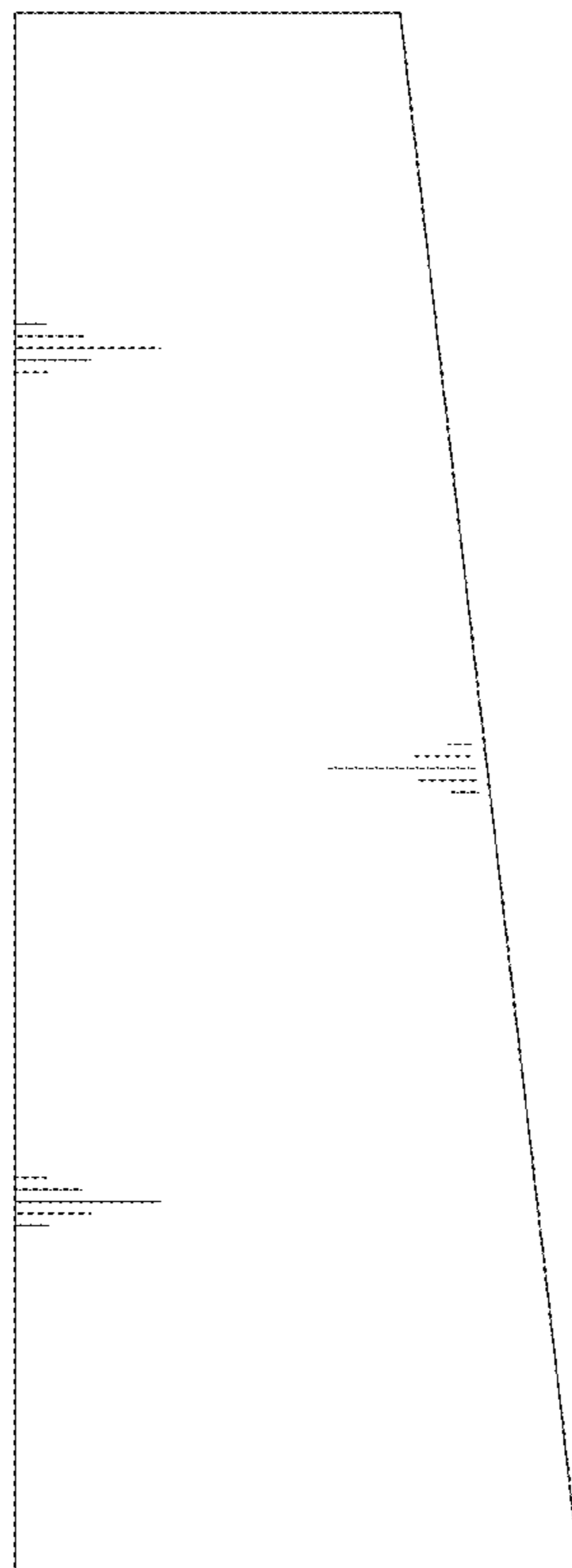


FIG. 5

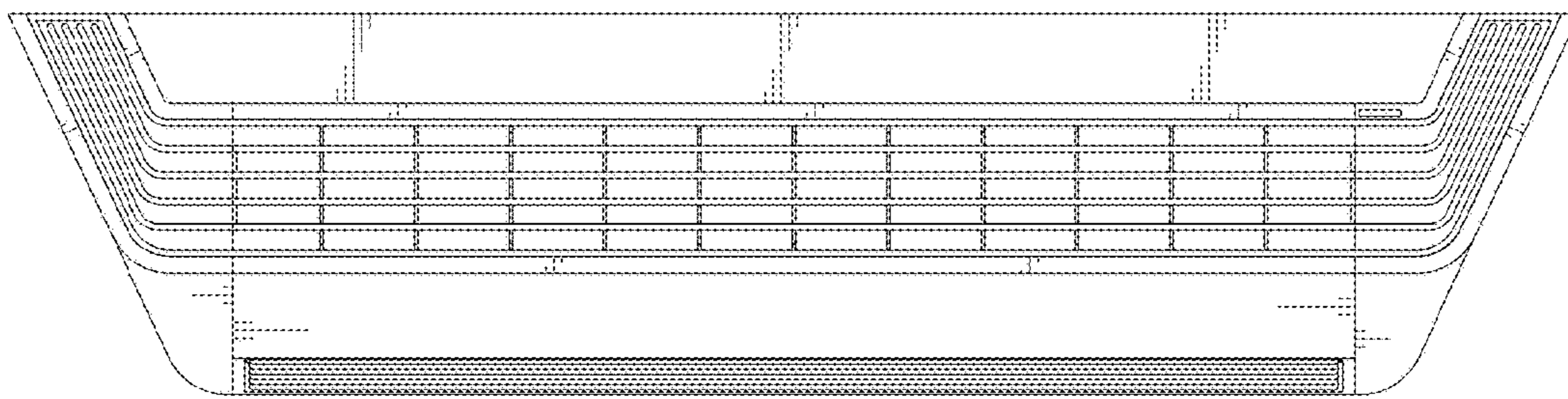


FIG. 6

