



US00D797911S

(12) **United States Design Patent** (10) **Patent No.:** **US D797,911 S**
Mesun et al. (45) **Date of Patent:** **** Sep. 19, 2017**

- (54) **TOILET**
- (71) Applicant: **Kohler Co.**, Kohler, WI (US)
- (72) Inventors: **Randy O. Mesun**, Sheboygan, WI (US); **Simon Mark Bickerstaffe**, Clevedon (GB); **Ronald L. Smies**, Oostburg, WI (US); **Robert S. Davis**, Grafton, WI (US)
- (73) Assignee: **KOHLER CO.**, Kohler, WI (US)
- (**) Term: **15 Years**
- (21) Appl. No.: **29/556,396**
- (22) Filed: **Feb. 29, 2016**
- (51) **LOC (10) Cl.** **23-02**
- (52) **U.S. Cl.**
USPC **D23/301**
- (58) **Field of Classification Search**
USPC D23/295-301, 303, 309, 313
CPC A47K 11/02; A47K 11/026
See application file for complete search history.

- D578,620 S * 10/2008 Zou D23/301
- D586,895 S 2/2009 Kergoet
- D601,233 S 9/2009 Kergoet
- D602,137 S 10/2009 Kergoet
- D603,028 S 10/2009 Kergoet
- D637,702 S 5/2011 Rexach
- D725,248 S * 3/2015 Bates D23/309

OTHER PUBLICATIONS

NPL Toilets from Kohler 2016 Fixtures Catalog, pp. 314-347.

* cited by examiner

Primary Examiner — Robert M Spear

Assistant Examiner — John Voytek

(74) *Attorney, Agent, or Firm* — Foley & Lardner LLP

(57) **CLAIM**

We claim the ornamental design for a toilet, as shown and described.

DESCRIPTION

FIG. 1 is a perspective view of an embodiment of a toilet; FIG. 2 is a front view of the embodiment shown in FIG. 1; FIG. 3 is a rear view of the embodiment shown in FIG. 1; FIG. 4 is a side view of the embodiment shown in FIG. 1; FIG. 5 is another side view of the embodiment shown in FIG. 1; FIG. 6 is a top view of the embodiment shown in FIG. 1; and, FIG. 7 is a bottom view of the embodiment shown in FIG. 1.

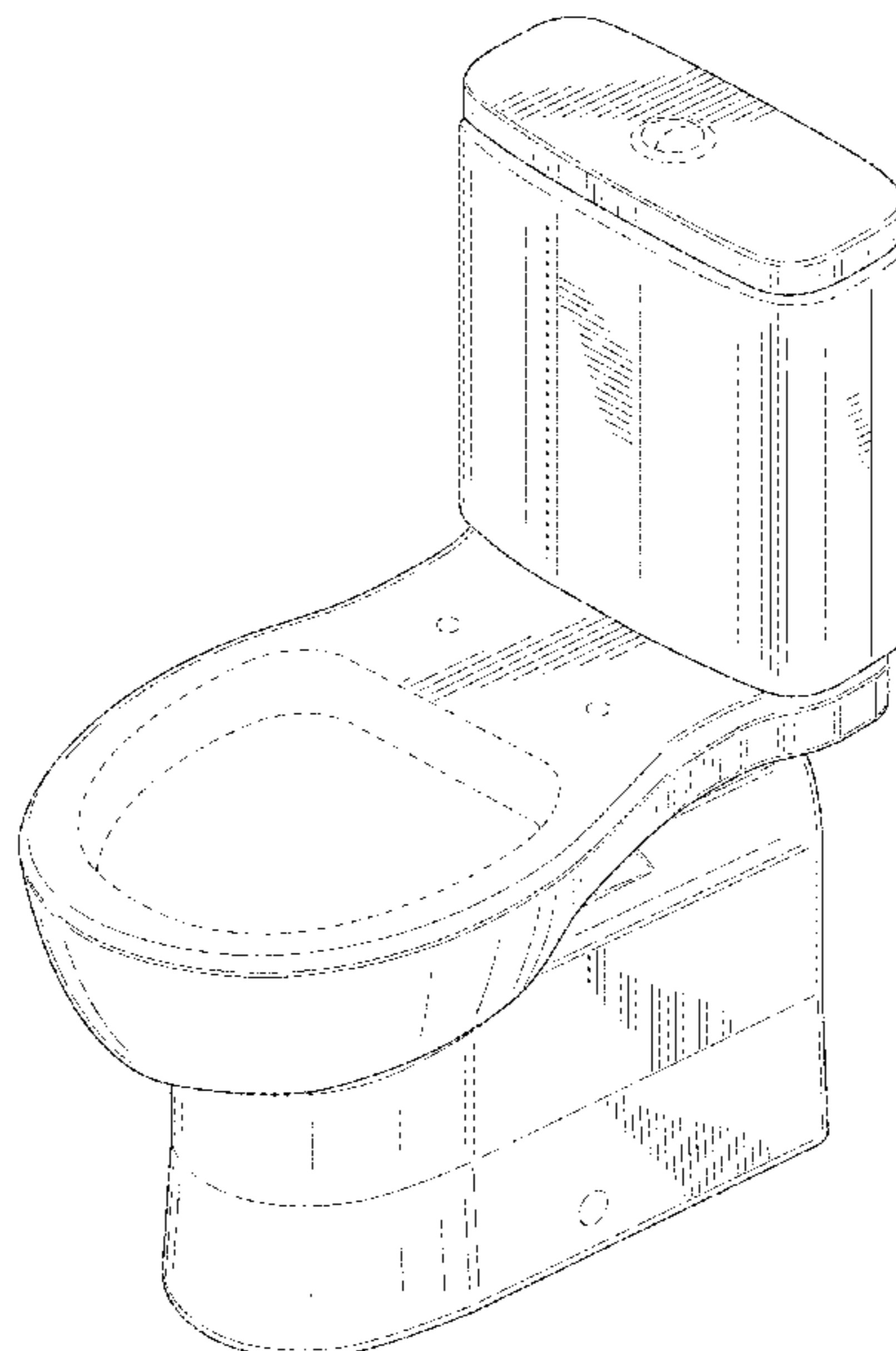
The ornamental design that is claimed is shown in the drawings comprises elements shown in solid lines and surfaces having surface shading. The broken lines illustrate portions of the article that form no part of the claimed design.

1 Claim, 7 Drawing Sheets

(56) **References Cited**

U.S. PATENT DOCUMENTS

- D310,558 S 9/1990 Kohler, Jr. et al.
- D379,217 S 5/1997 Kergoet
- D390,933 S 2/1998 Slothower
- D412,742 S 8/1999 Soulier
- D455,202 S 4/2002 Soulier
- D455,477 S 4/2002 Soulier
- D471,621 S 3/2003 Bennie
- D502,765 S * 3/2005 Bucher D23/301
- D507,822 S * 7/2005 Bucher D23/301
- D531,288 S * 10/2006 Soulier D23/295
- D531,714 S 11/2006 Soulier
- D536,428 S 2/2007 Kohler, Jr. et al.
- D536,771 S 2/2007 Chenesseau
- D556,301 S * 11/2007 Lin D23/295



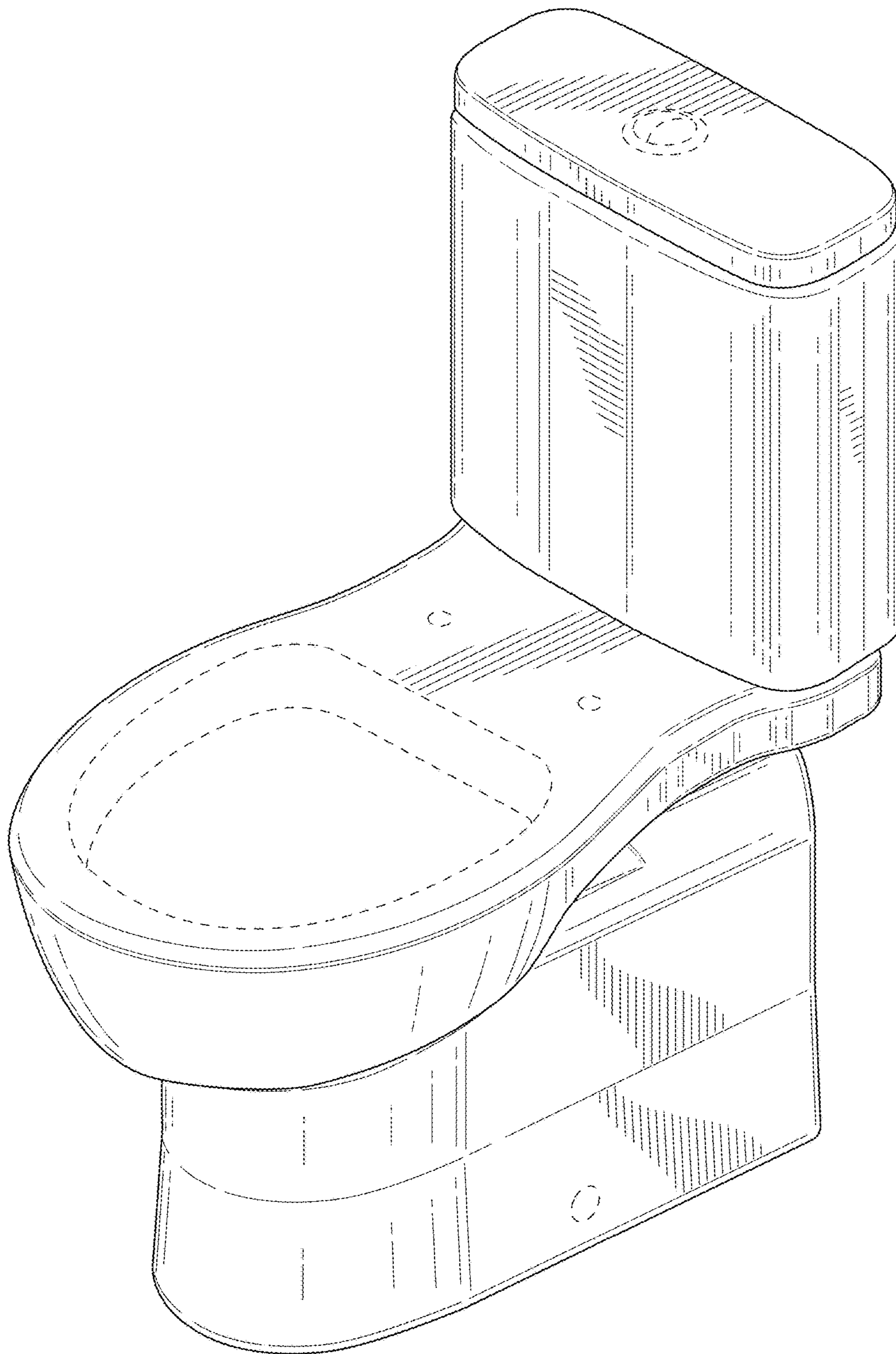


FIG. 1

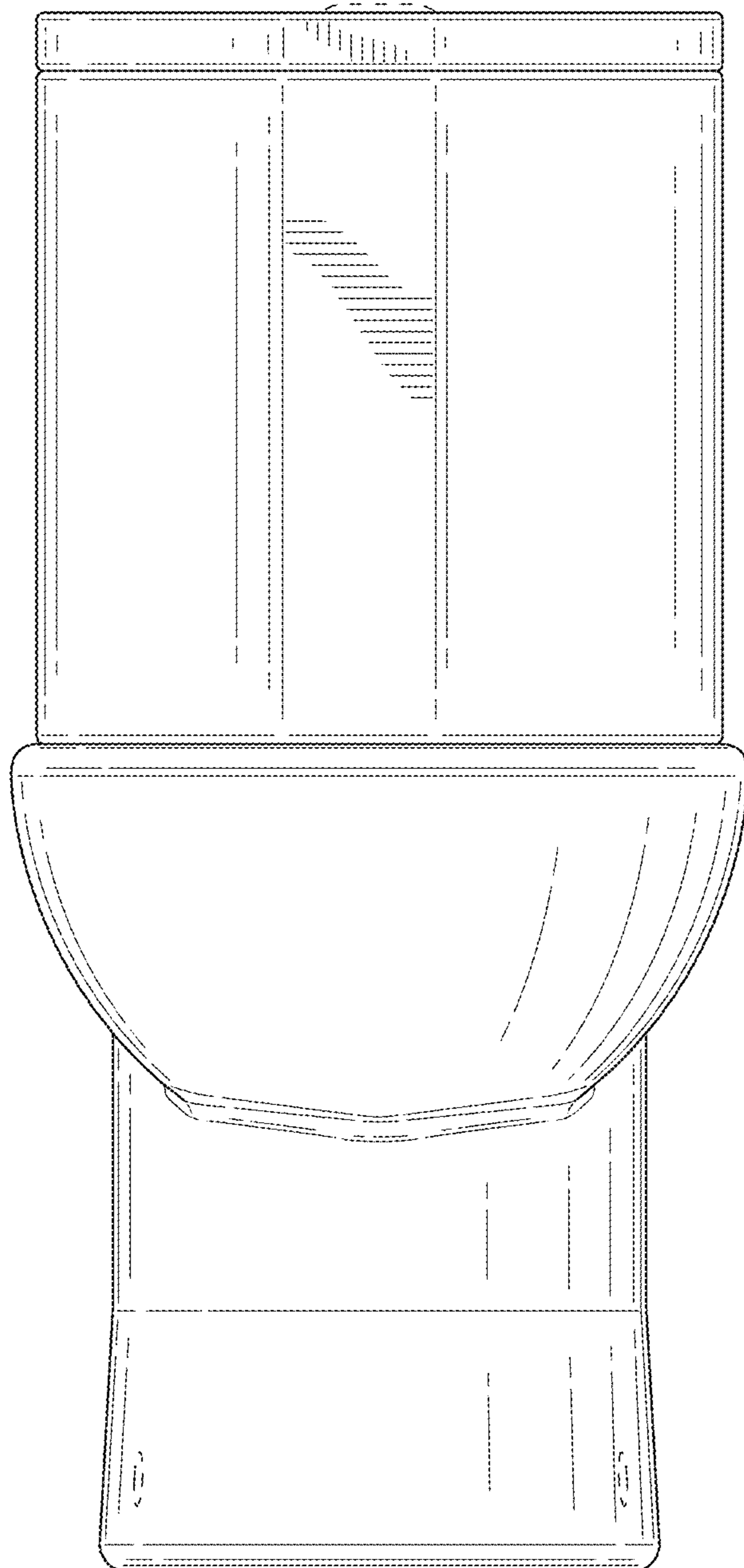


FIG. 2

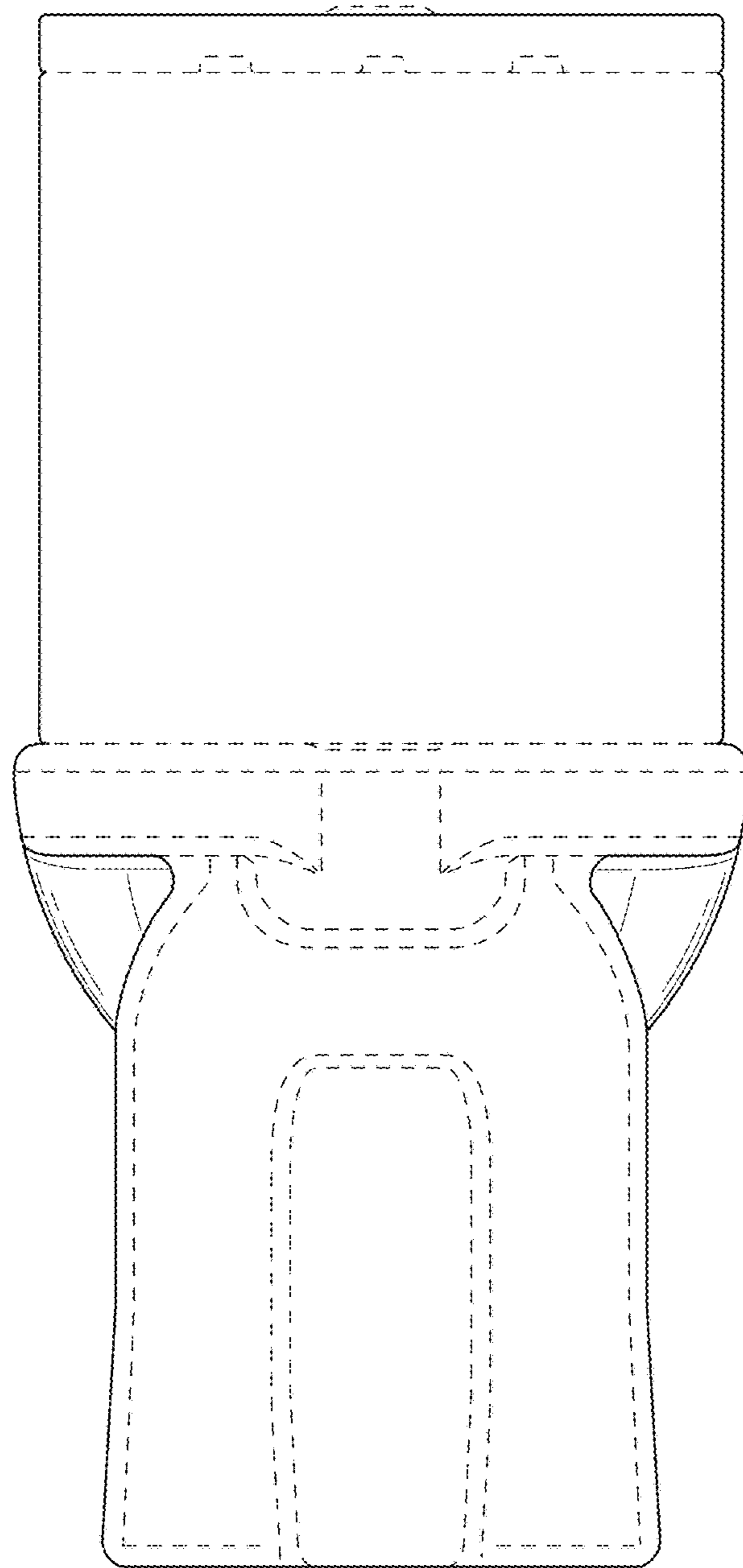


FIG. 3

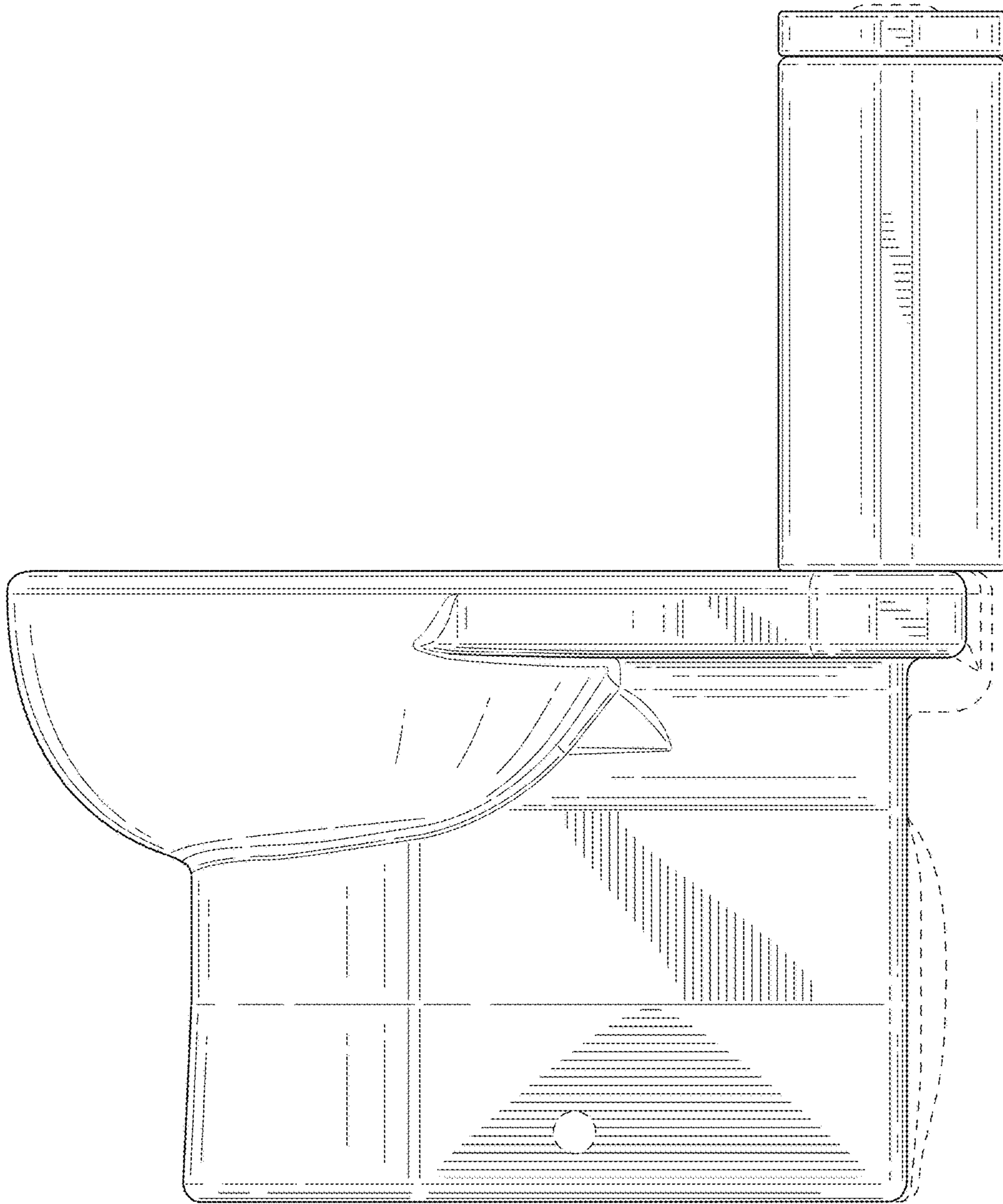


FIG. 4

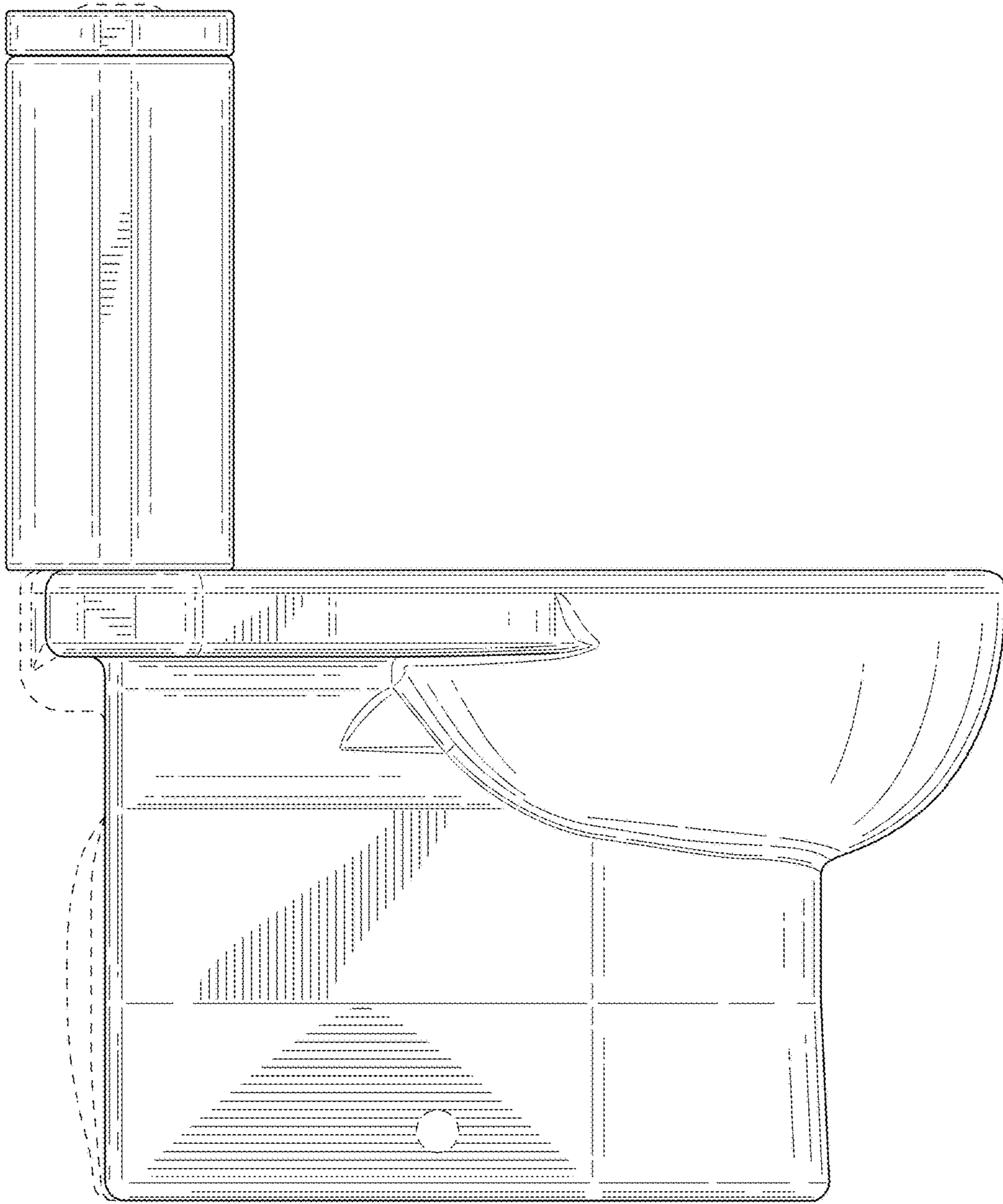


FIG. 5

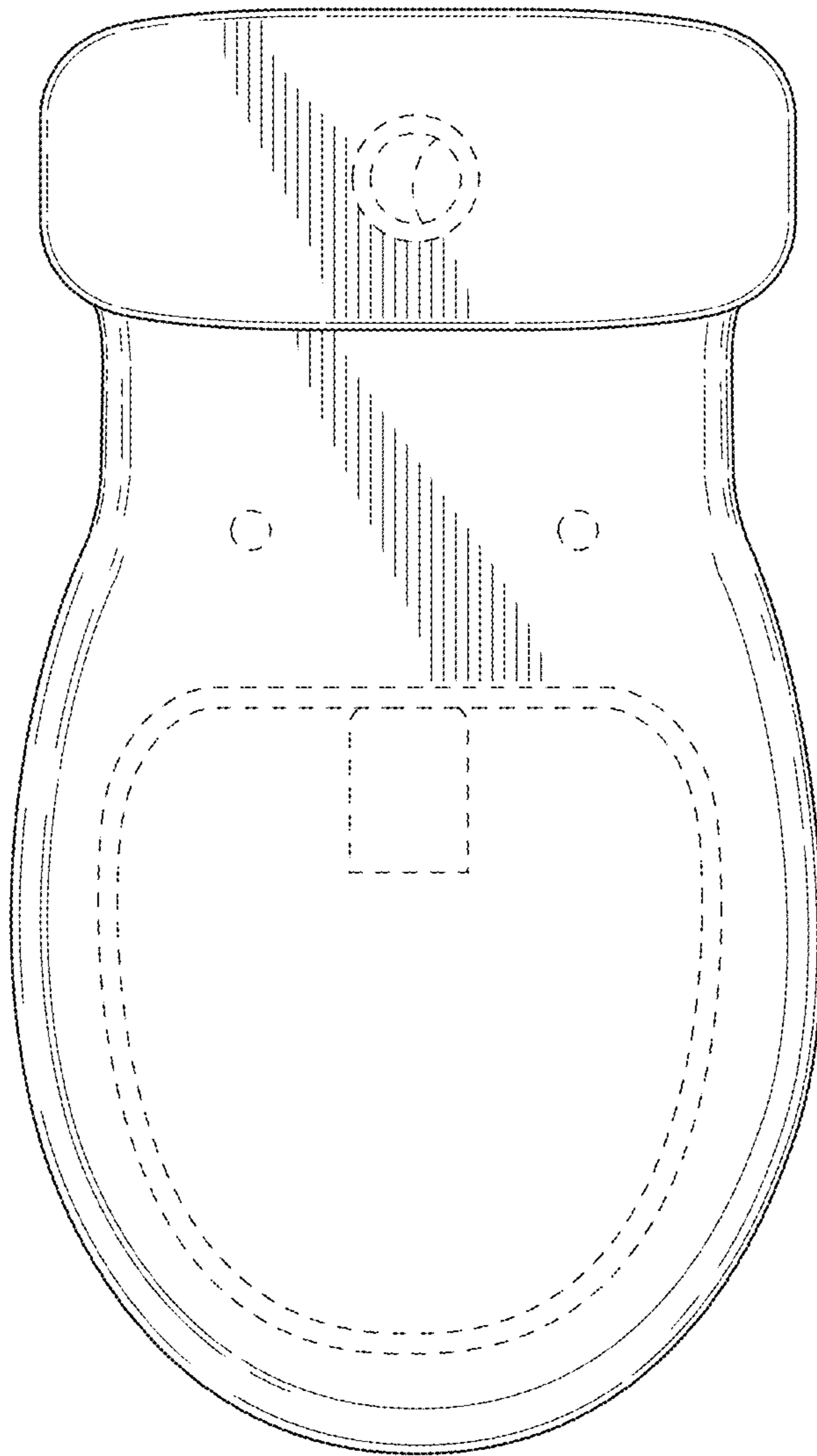


FIG. 6

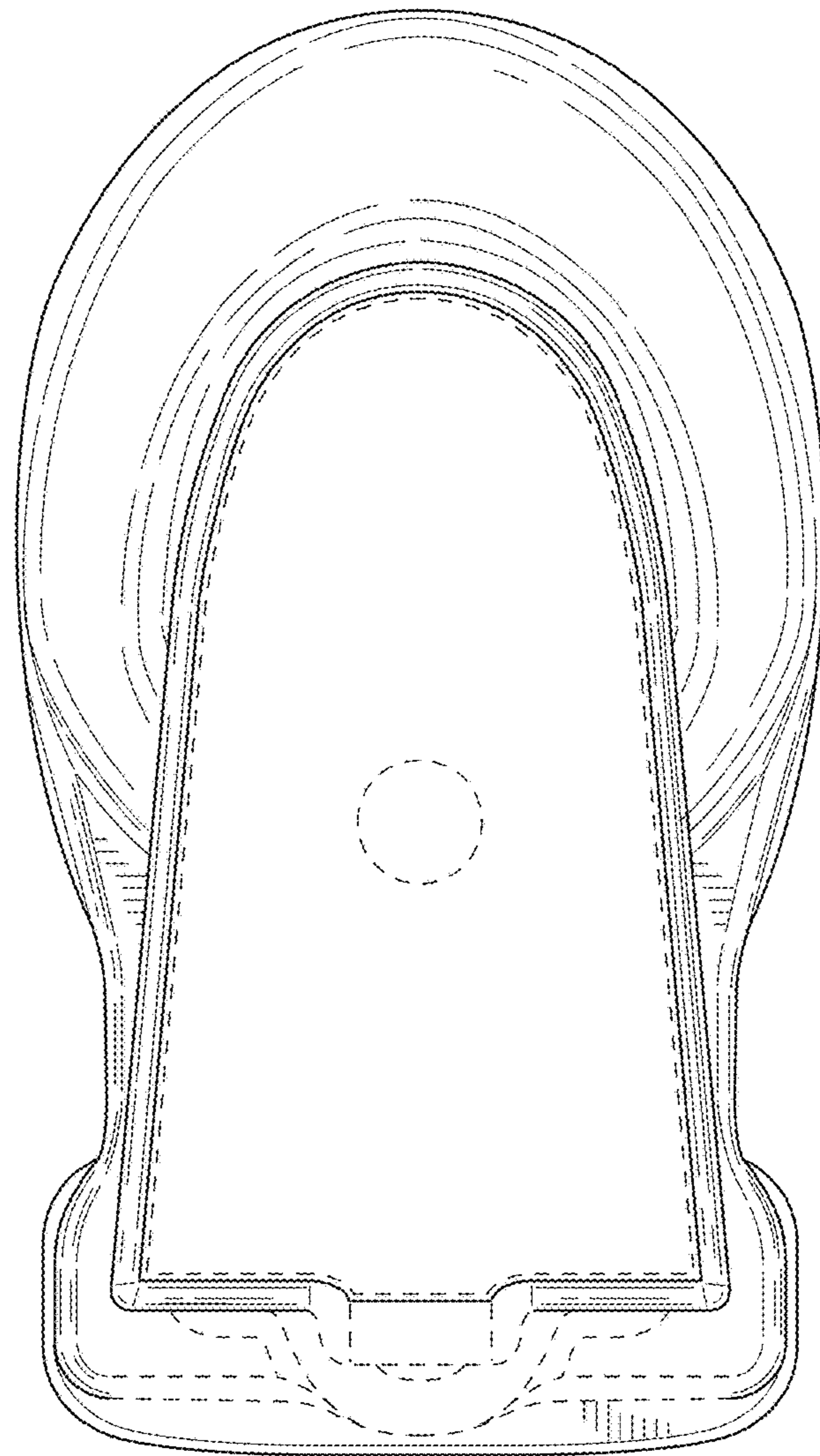


FIG. 7