



US00D797910S

(12) **United States Design Patent**
Garland

(10) **Patent No.:** **US D797,910 S**

(45) **Date of Patent:** **** Sep. 19, 2017**

(54) **TOILET**

(71) Applicant: **DELTA FAUCET COMPANY,**
Indianapolis, IN (US)

(72) Inventor: **Celine Kwok Garland,** Zionsville, IN
(US)

(73) Assignee: **DELTA FAUCET COMPANY,**
Indianapolis, IN (US)

(**) Term: **15 Years**

(21) Appl. No.: **29/548,263**

(22) Filed: **Dec. 11, 2015**

(51) **LOC (10) Cl.** **23-02**

(52) **U.S. Cl.**
USPC **D23/301**

(58) **Field of Classification Search**
USPC D23/295-301, 303, 309, 313
CPC A47K 11/02; A47K 11/026
See application file for complete search history.

(56) **References Cited**

U.S. PATENT DOCUMENTS

D514,208 S * 1/2006 Gordon D23/301
D556,300 S * 11/2007 Lin D23/295

D628,279 S * 11/2010 Jiang D23/301
D636,856 S * 4/2011 Wang D23/301
D672,019 S * 12/2012 Bucher D23/301
RE45,460 E * 4/2015 Jiang D23/301

* cited by examiner

Primary Examiner — Robert M Spear

Assistant Examiner — John Voytek

(74) *Attorney, Agent, or Firm* — Edgar A. Zarins; Nirav
D. Parikh

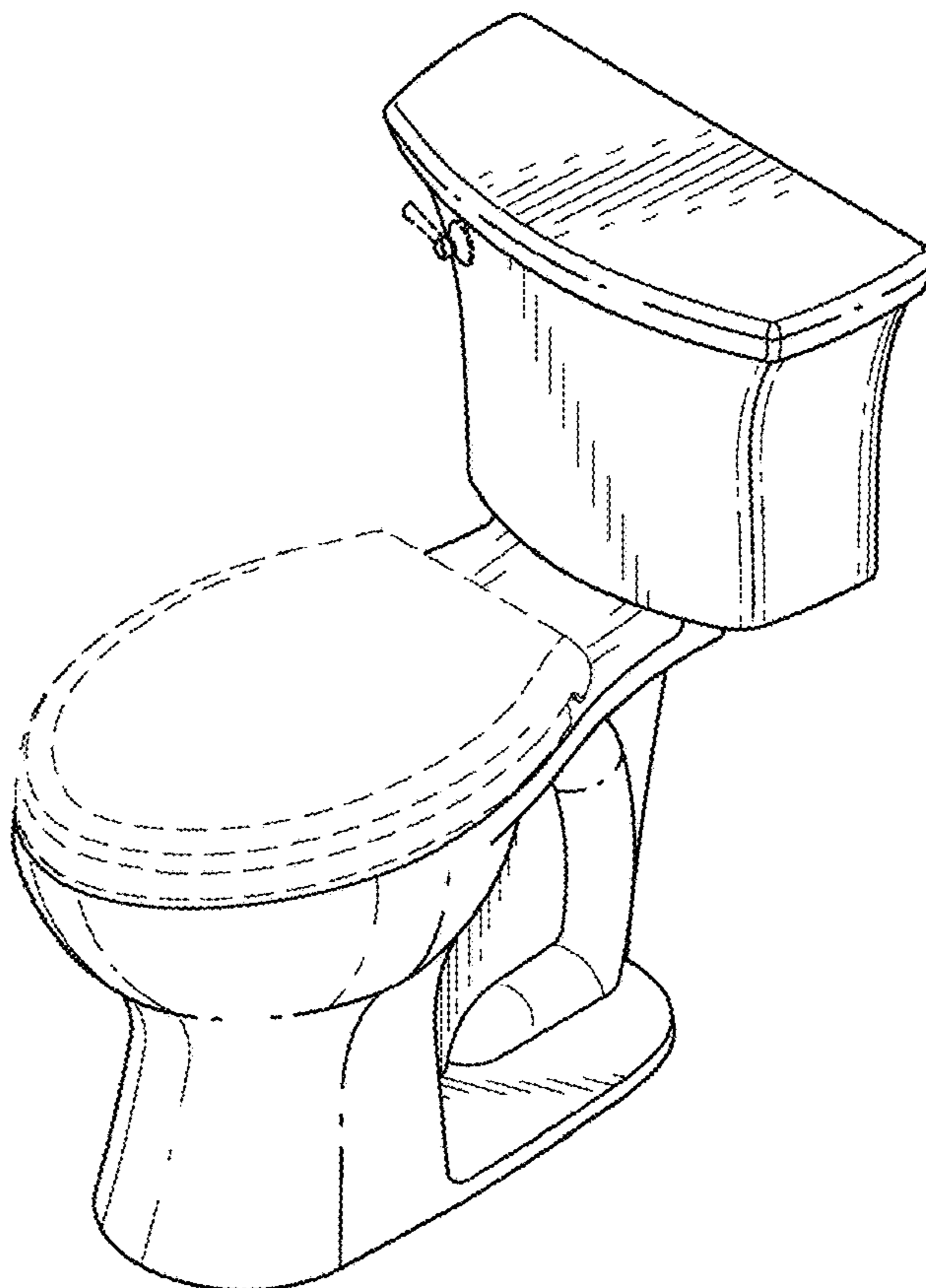
(57) **CLAIM**

The ornamental design for a toilet, as shown and described.

DESCRIPTION

FIG. 1 is a perspective view of a toilet showing my new design;
FIG. 2 is a front elevational view thereof;
FIG. 3 is a rear view thereof;
FIG. 4 is a rear perspective view thereof;
FIG. 5 is a left side view thereof, the opposite side being a mirror image of the side shown;
FIG. 6 is a top plan view thereof; and,
FIG. 7 is a bottom view thereof.
In the drawings, the broken lines depict environmental subject matter only and form no part of the claimed design.

1 Claim, 3 Drawing Sheets



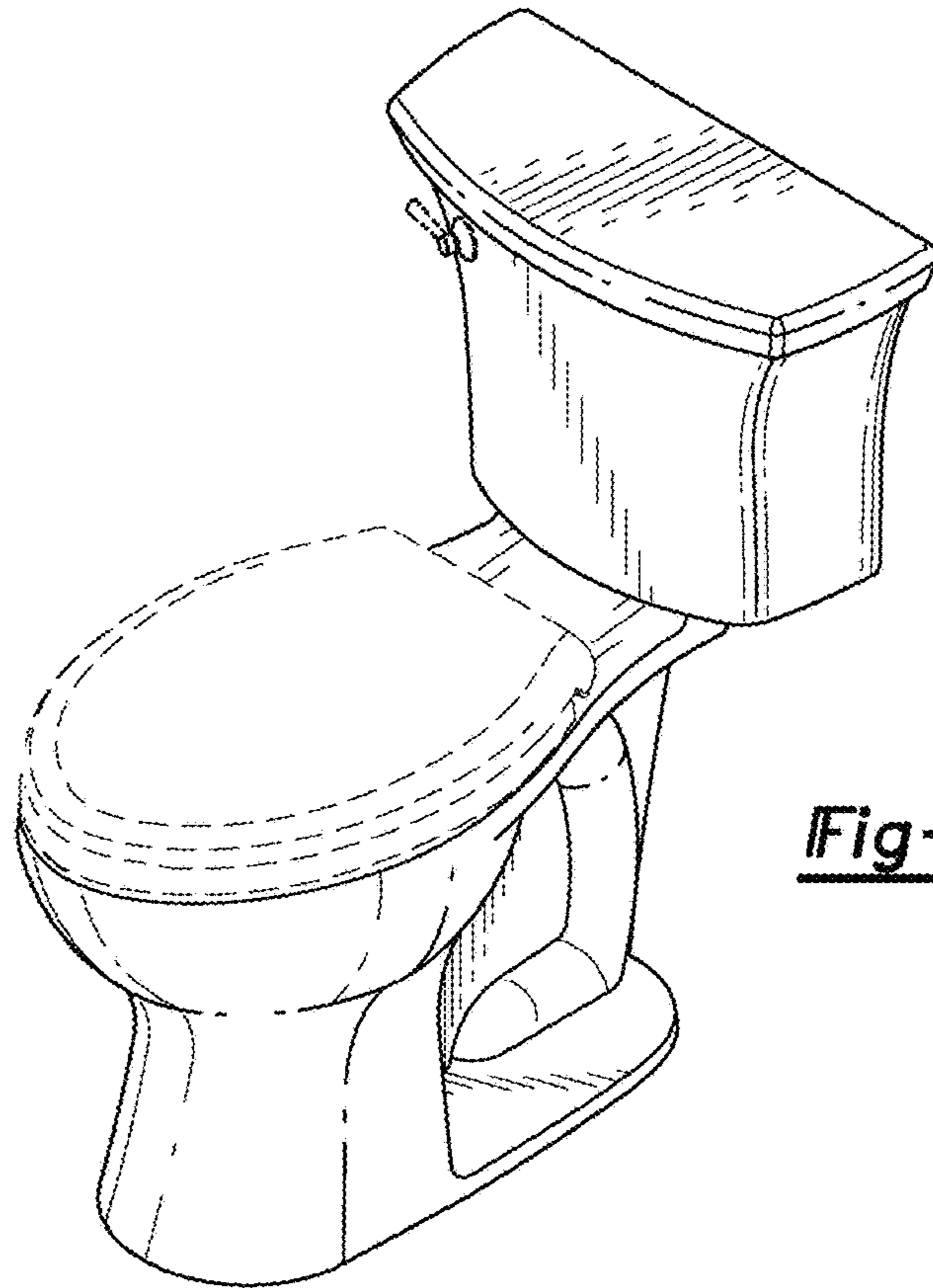


Fig-1

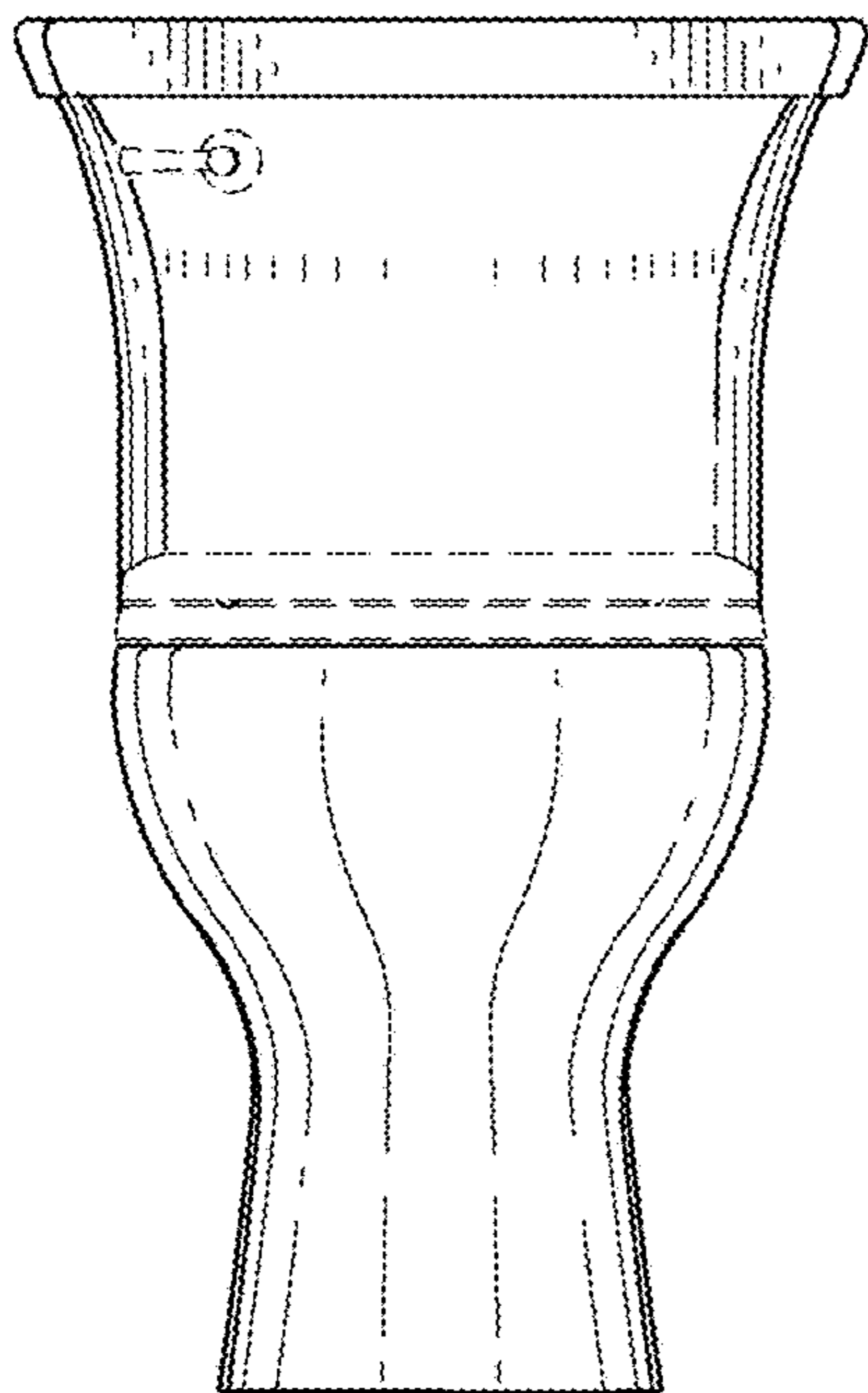


Fig-2

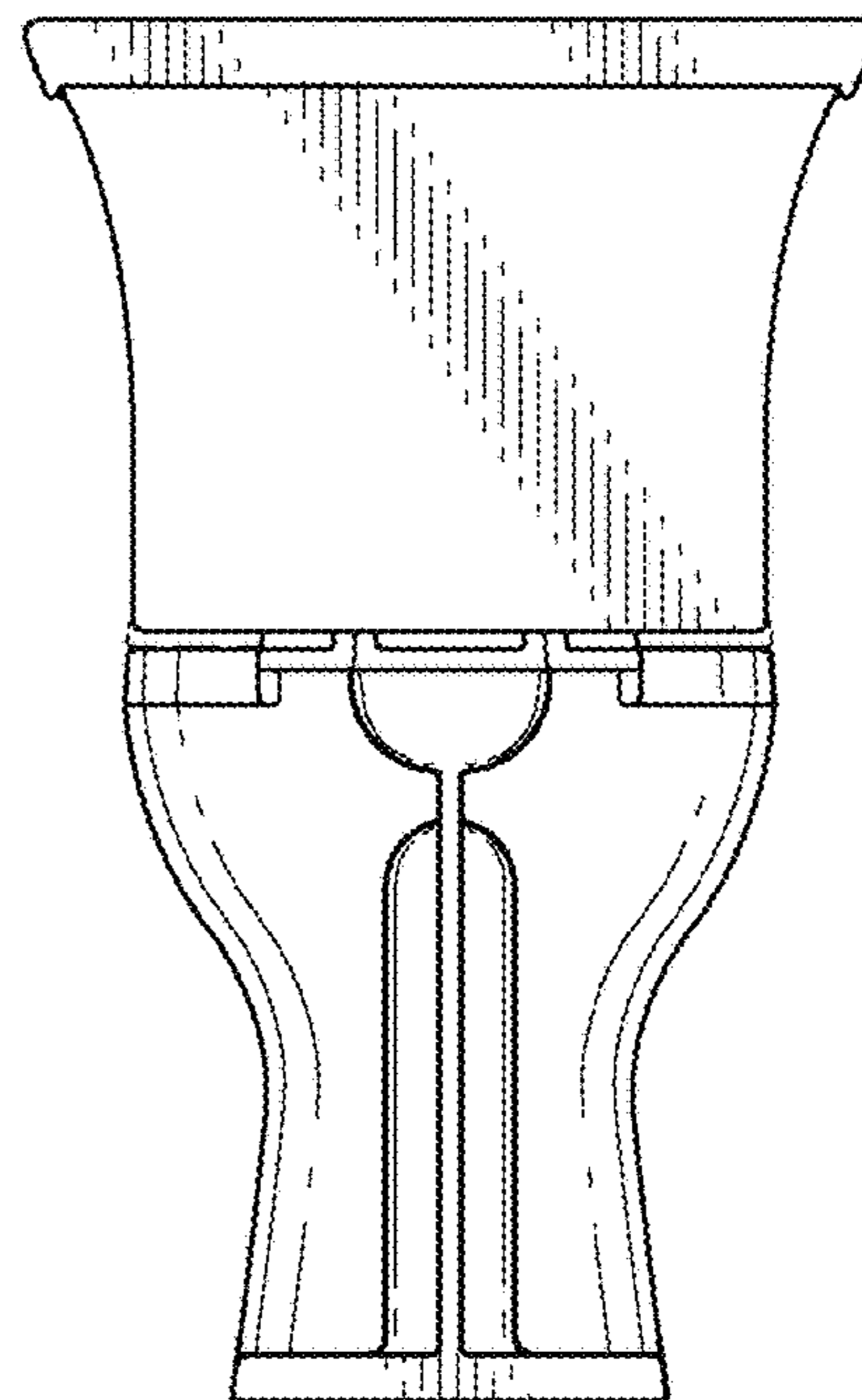


Fig-3

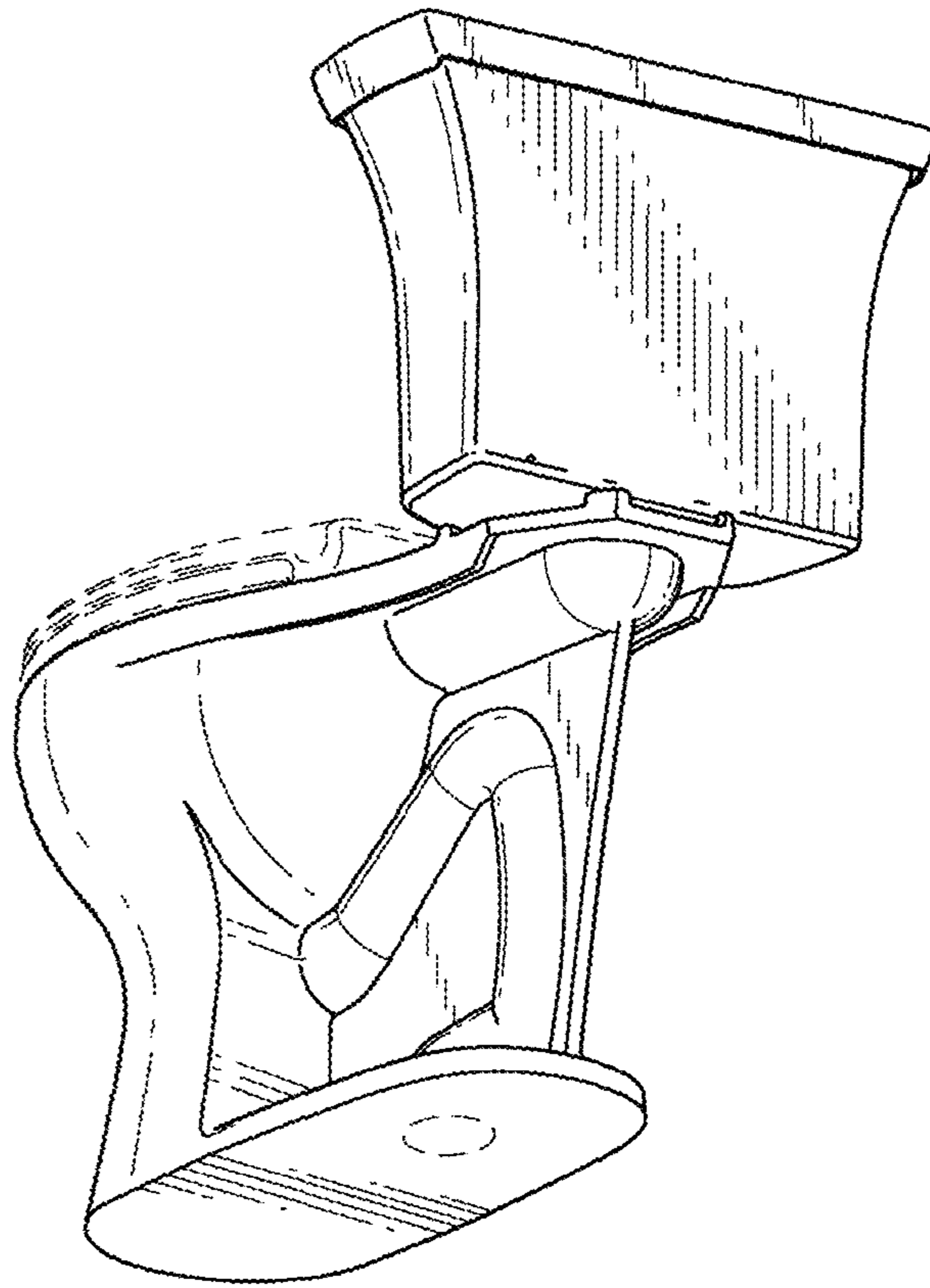


Fig-4

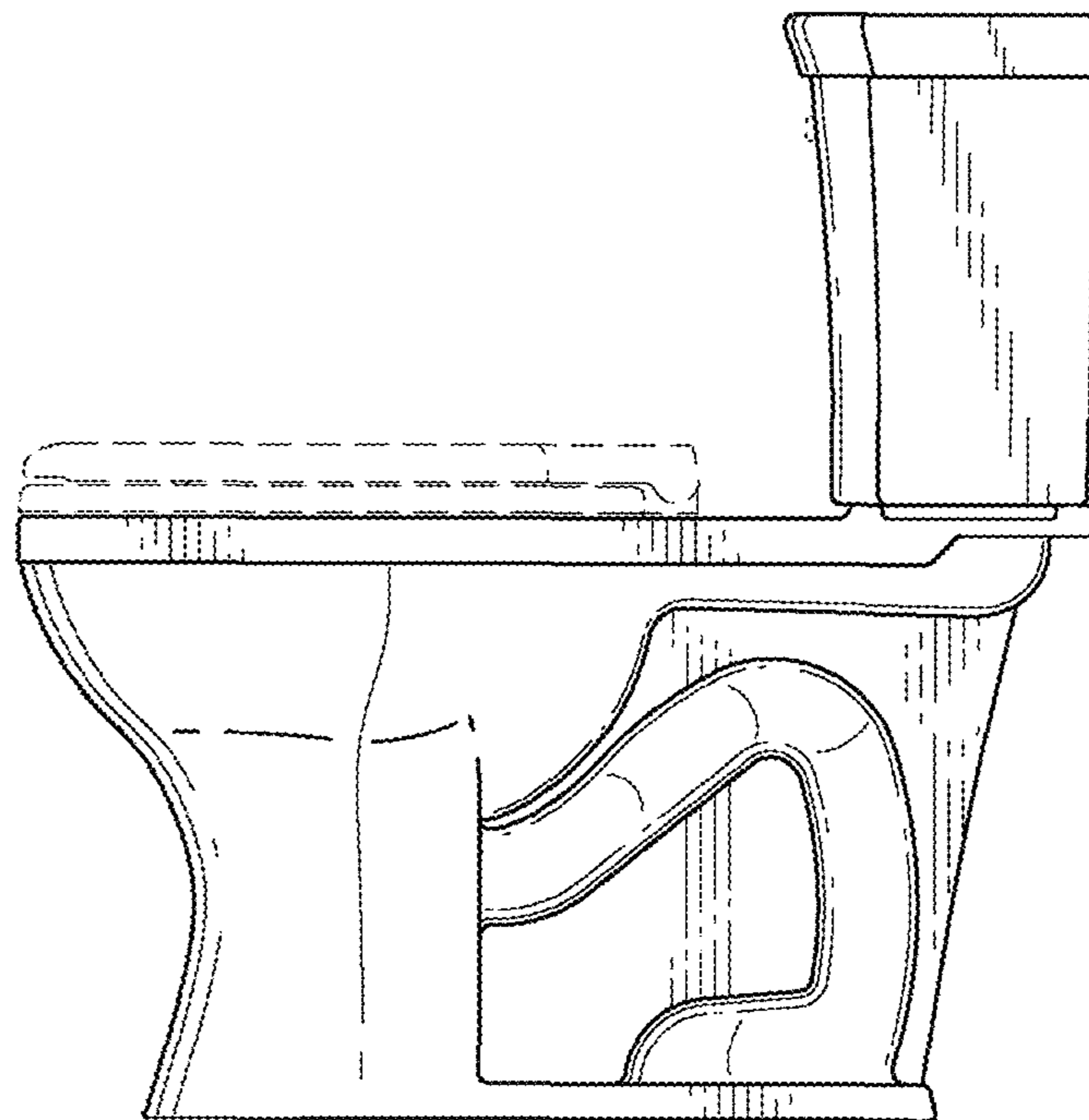


Fig-5

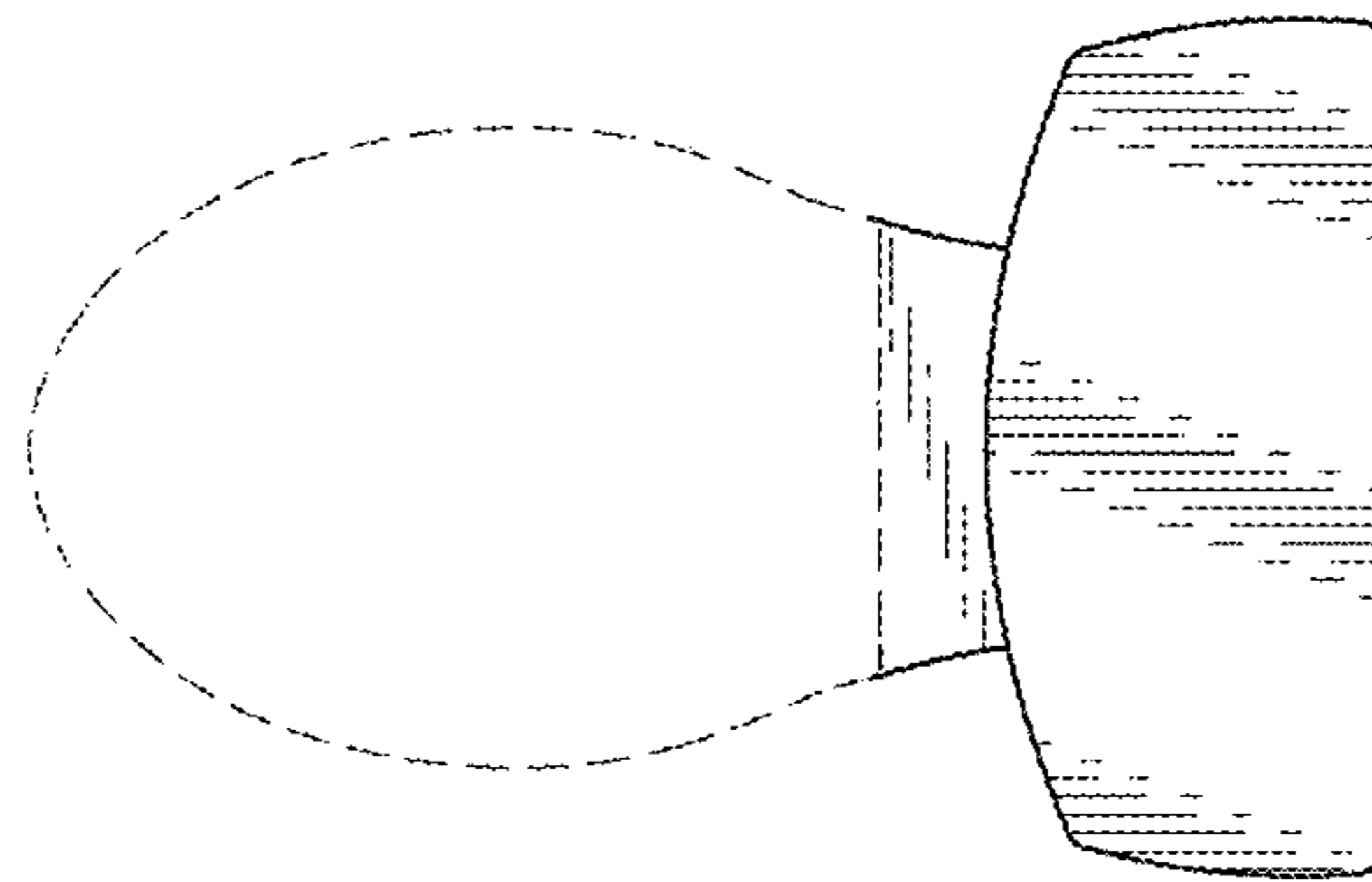


Fig-6

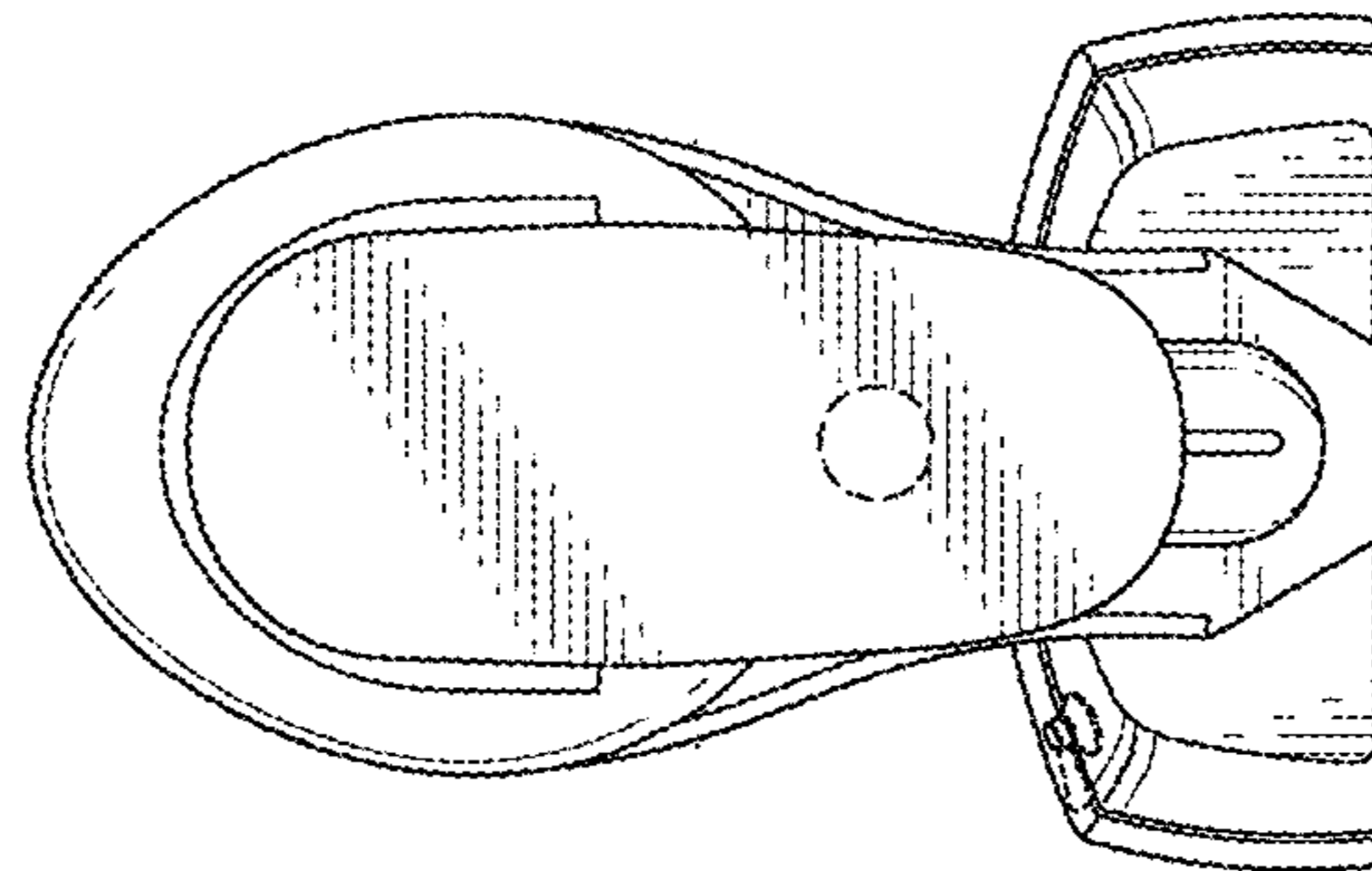


Fig-7