



US00D797908S

(12) **United States Design Patent** (10) **Patent No.:** **US D797,908 S**
Dam (45) **Date of Patent:** **** Sep. 19, 2017**

(54) **PORTABLE COLLAPSIBLE TOILET**

(71) Applicant: **PhuongThanh Dam**, Newbury Park, CA (US)

(72) Inventor: **PhuongThanh Dam**, Newbury Park, CA (US)

(**) Term: **15 Years**

(21) Appl. No.: **29/544,445**

(22) Filed: **Nov. 3, 2015**

(51) **LOC (10) Cl.** **23-02**

(52) **U.S. Cl.**
USPC **D23/299**

(58) **Field of Classification Search**
USPC D23/295-301, 303, 309, 313
CPC A47K 11/02; A47K 11/026
See application file for complete search history.

(56) **References Cited**

U.S. PATENT DOCUMENTS

1,510,061	A *	9/1924	Jones	A47K 11/06 4/483
1,663,966	A *	3/1928	Ament	A47K 11/06 220/9.3
2,376,036	A *	5/1945	Cotton	A47G 29/06 220/629
3,064,870	A *	11/1962	Dunlap, Jr.	B65D 15/04 138/151
3,195,272	A *	7/1965	Mosher	A01G 9/026 100/218
3,600,719	A	8/1971	Karr		
3,602,924	A *	9/1971	Kneisley	A47B 75/00 4/144.2
4,606,080	A *	8/1986	Clementino	A47K 11/02 138/159

4,807,308	A	2/1989	Person		
D410,739	S *	6/1999	Reeves-Artison	D23/299
6,385,790	B1	5/2002	Abraham		
D743,011	S *	11/2015	Woodside	D23/299
D764,032	S *	8/2016	Schmitt	D23/299
2010/0306914	A1	12/2010	Ron		
2016/0045085	A1*	2/2016	Zawrotniak	A47K 11/06 4/484
2016/0278586	A1*	9/2016	Dimmitt	A47K 13/26

* cited by examiner

Primary Examiner — Robert M Spear

Assistant Examiner — John Voytek

(74) *Attorney, Agent, or Firm* — Quickpatents, LLC; Kevin Prince

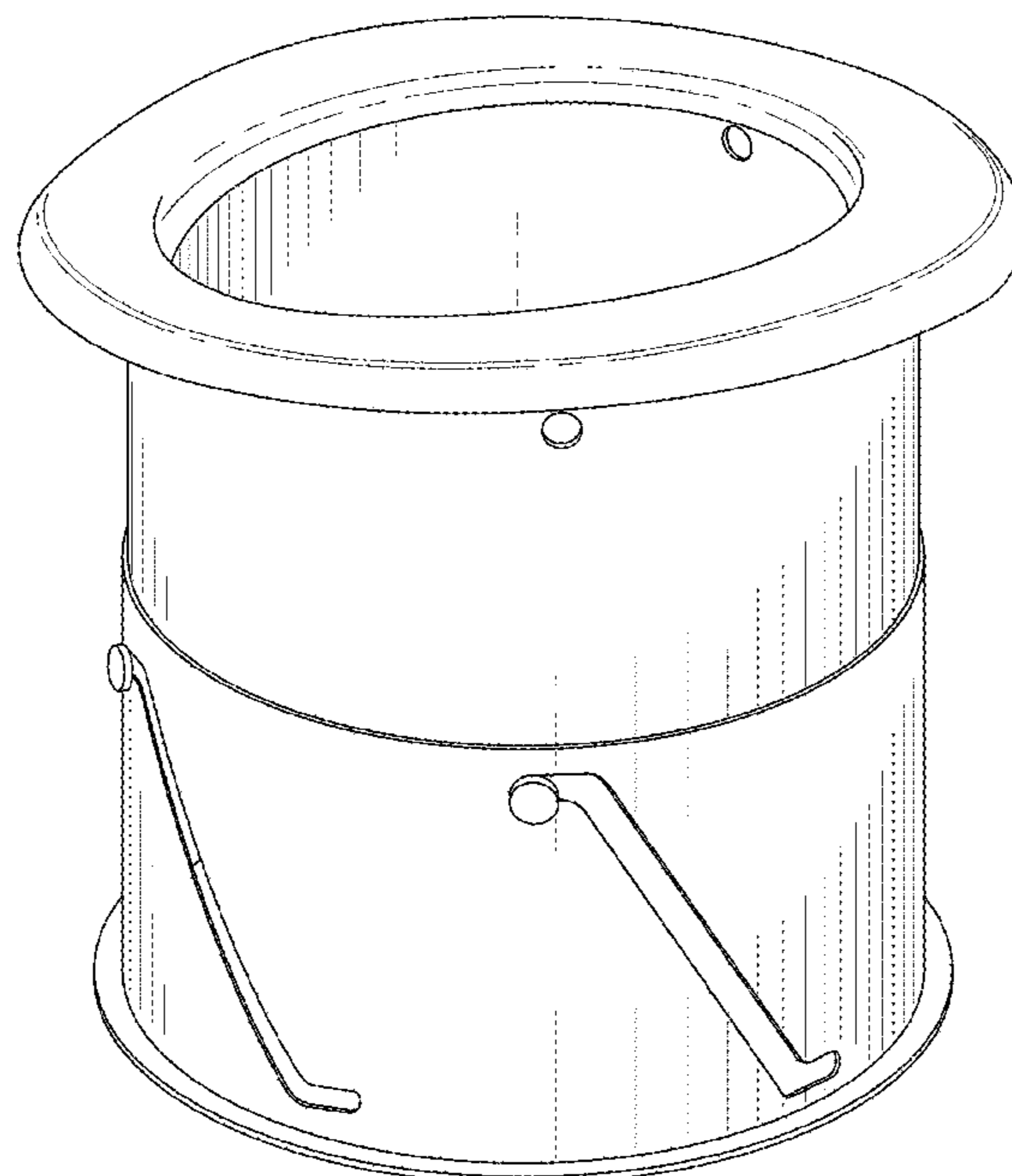
(57) **CLAIM**

I claim the ornamental design for a portable collapsible toilet, as shown and described.

DESCRIPTION

FIG. 1 is a perspective view of a portable collapsible toilet, showing my new design;
FIG. 2 is a perspective view thereof;
FIG. 3 is a front elevational view of FIG. 1;
FIG. 4 is a rear elevational view of FIG. 1;
FIG. 5 is a left-side elevational view of FIG. 1;
FIG. 6 is a right-side elevational view of FIG. 1;
FIG. 7 is a top plan view of FIG. 1; and,
FIG. 8 is a bottom plan view of FIG. 1.
The broken lines in FIG. 8 illustrate environmental matter that forms no part of the claimed design.

1 Claim, 5 Drawing Sheets



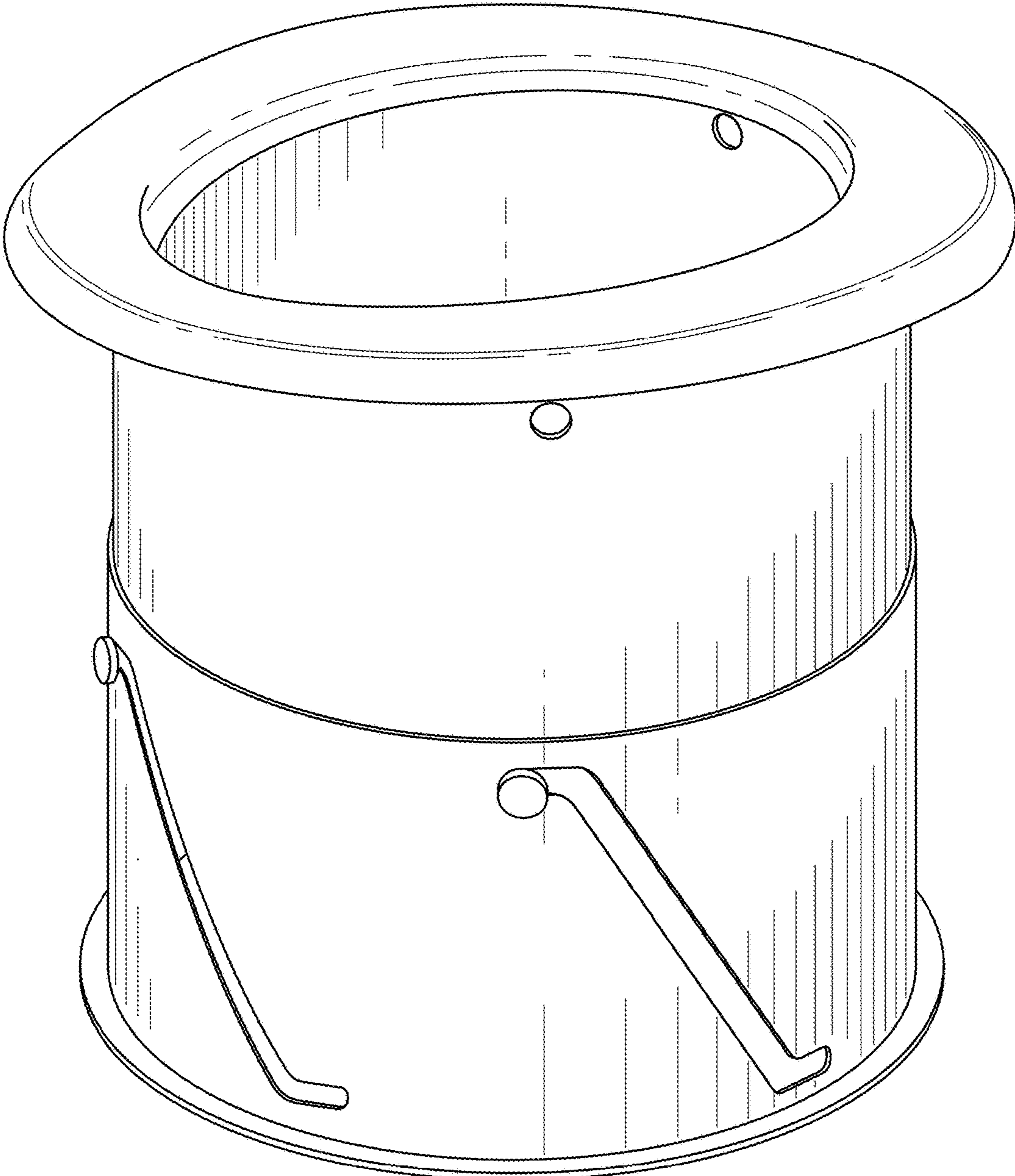


FIG. 1

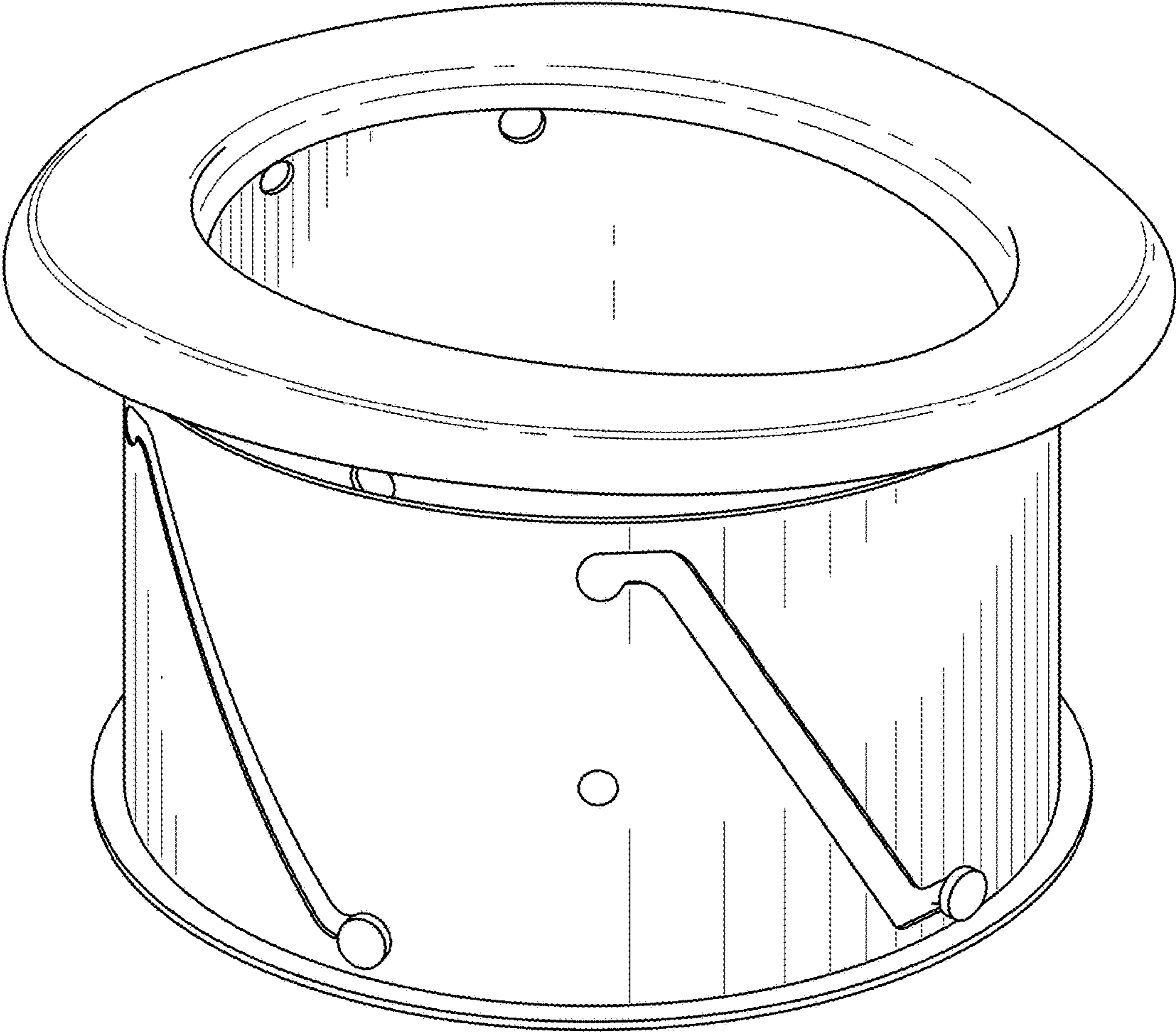


FIG. 2

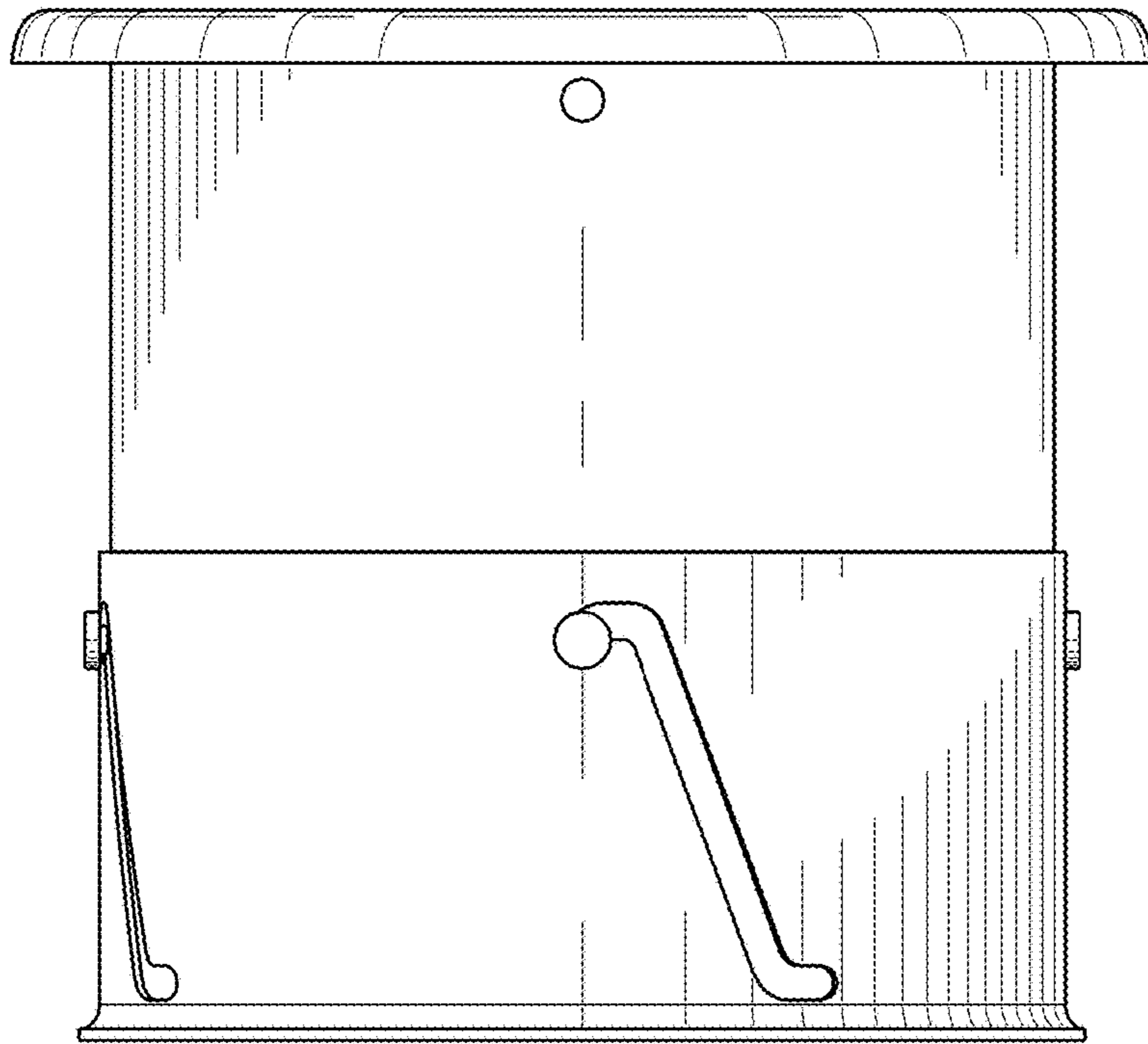


FIG. 3

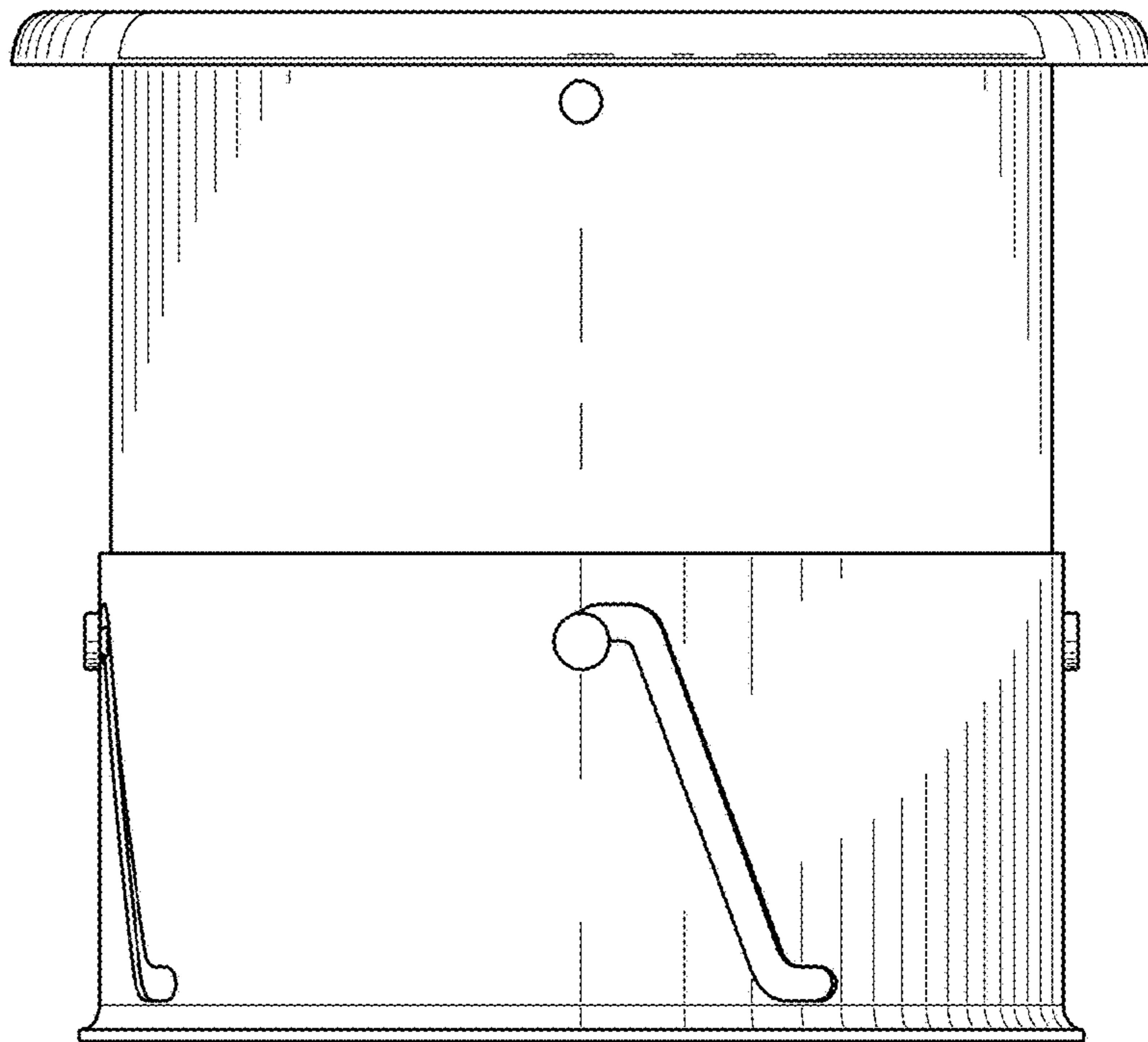


FIG. 4

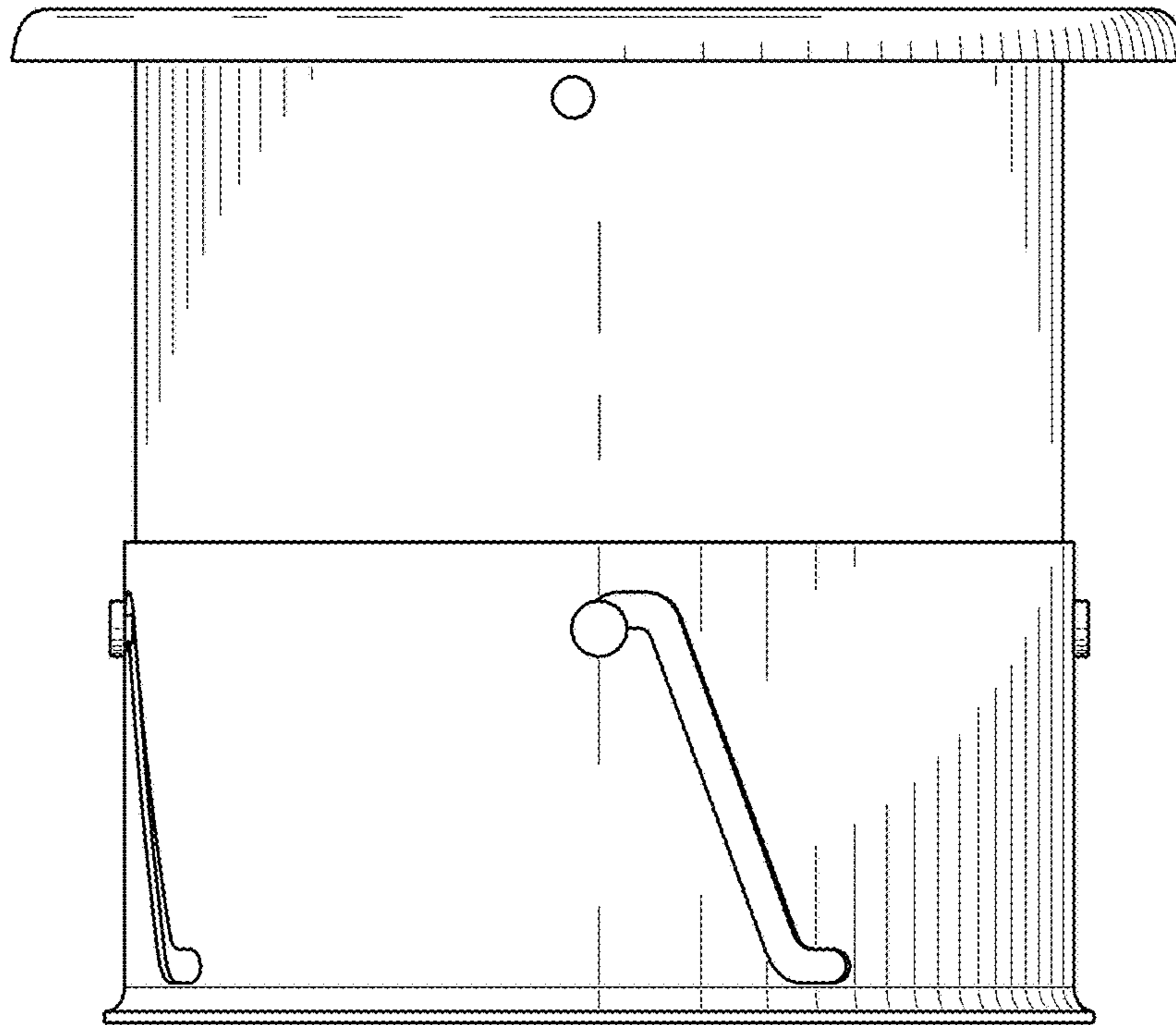


FIG. 5

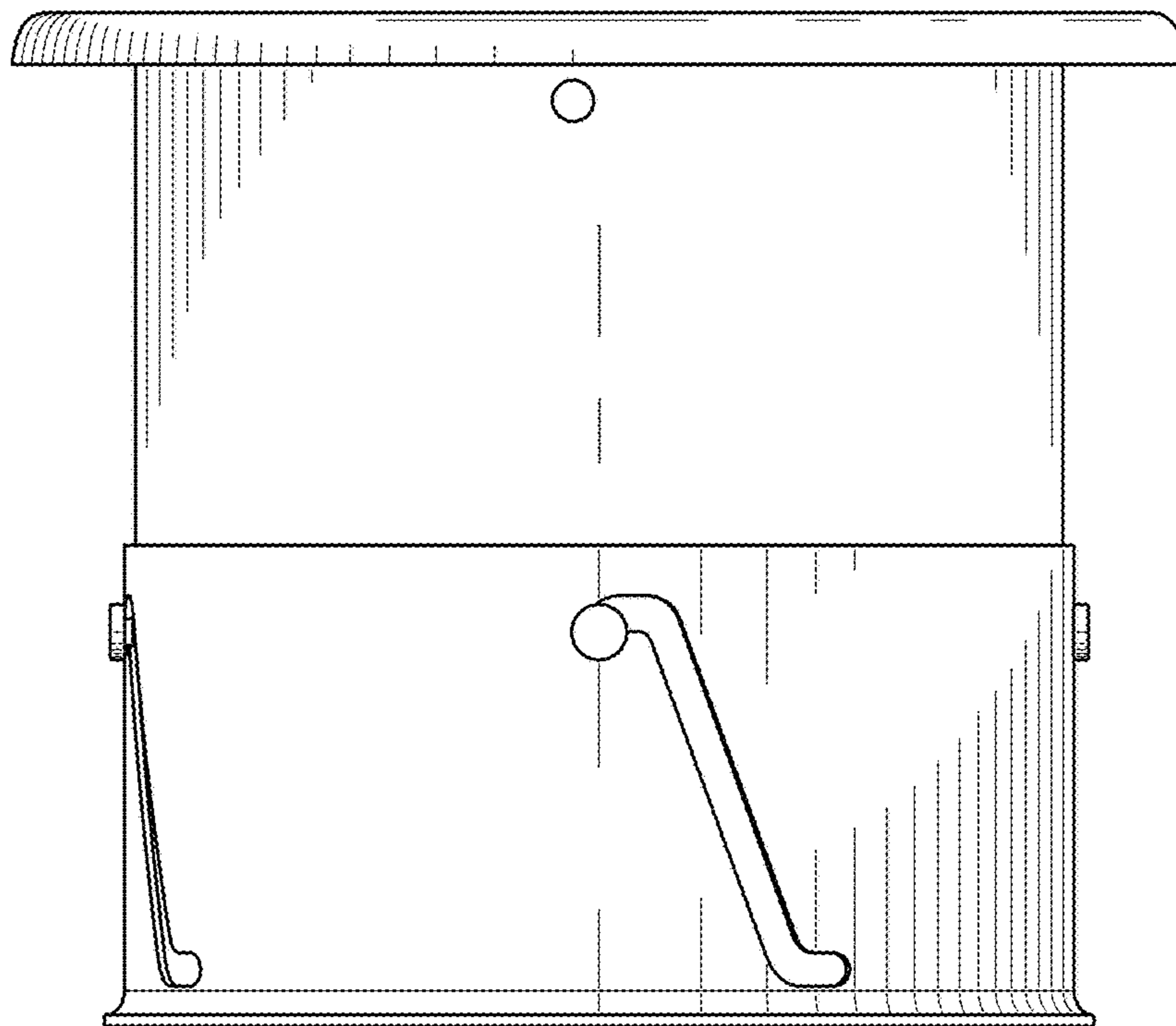


FIG. 6

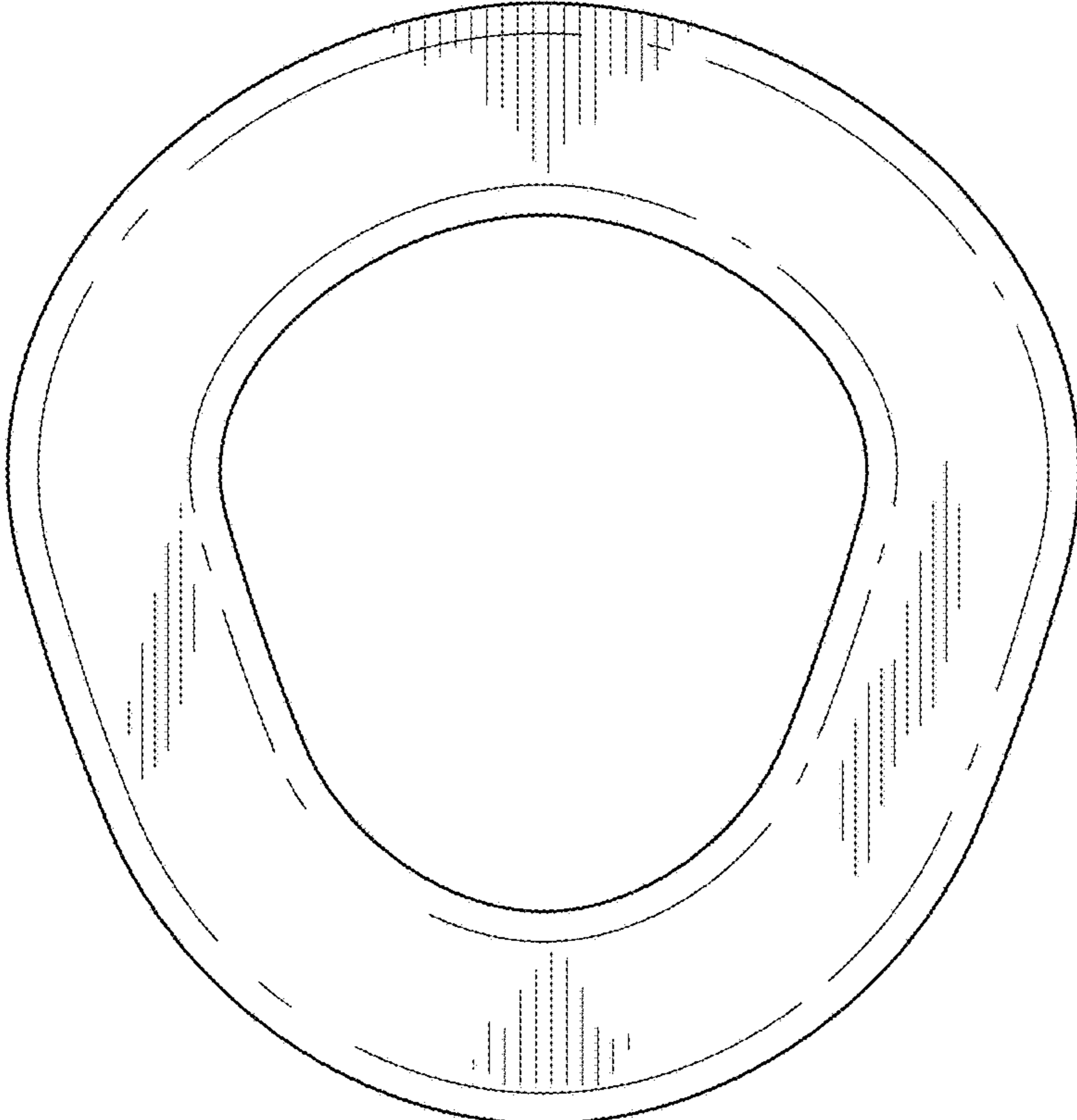


FIG. 7

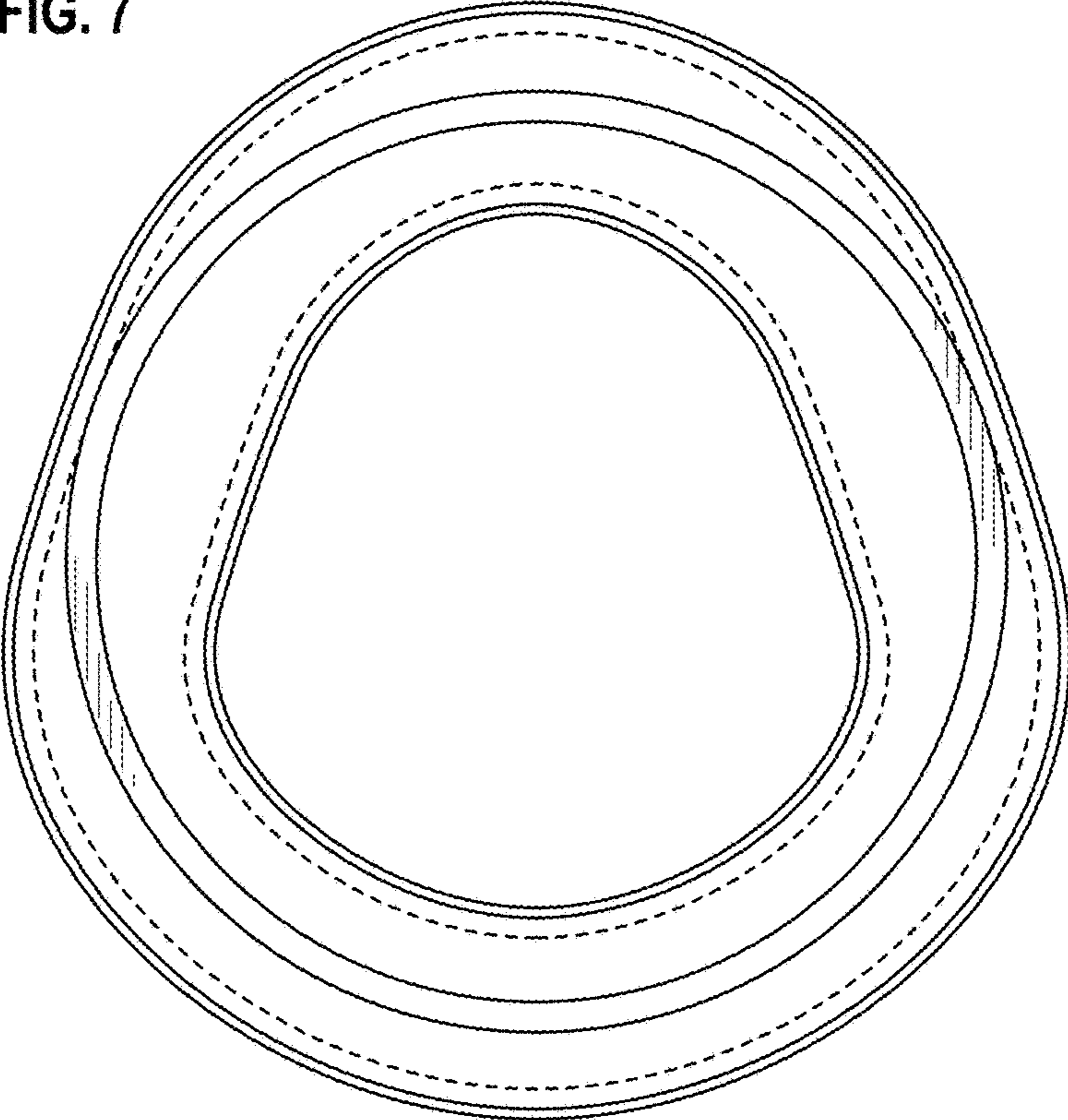


FIG. 8