



US00D797907S

(12) **United States Design Patent** (10) **Patent No.:** **US D797,907 S**
Esteve (45) **Date of Patent:** **** Sep. 19, 2017**

(54) **SINK TOP**

(71) Applicant: **Ronbow Corporation**, Fremont, CA
(US)

(72) Inventor: **Ramon Esteve**, Valencia (ES)

(73) Assignee: **Ronbow Corporation**, Fremont, CA
(US)

(**) Term: **15 Years**

(21) Appl. No.: **29/563,435**

(22) Filed: **May 4, 2016**

(51) **LOC (10) Cl.** **23-02**

(52) **U.S. Cl.**
USPC **D23/293.1**

(58) **Field of Classification Search**
USPC D23/284–293.1, 303, 308
CPC A47K 1/04; A47B 77/06; A47J 47/20
See application file for complete search history.

(56) **References Cited**

U.S. PATENT DOCUMENTS

D507,334 S	*	7/2005	Ferrer Beltran	D23/293.1
D603,486 S	*	11/2009	Mayer	D23/293.1
D655,798 S	*	3/2012	Miller	D23/284
D659,227 S	*	5/2012	Thomas	D23/292
D697,596 S	*	1/2014	Spangler	D23/293.1
D767,738 S	*	9/2016	Osterroth	D23/284
D768,269 S	*	10/2016	Francesconi	D23/284
D777,304 S	*	1/2017	Esteve	D23/286

OTHER PUBLICATIONS

Ronbow Sink Top found online [Mar. 23, 2017] <http://styleture.com/2016/04/05/signature-series-by-ronbow/>.*

* cited by examiner

Primary Examiner — Robert M Spear

Assistant Examiner — John Voytek

(74) *Attorney, Agent, or Firm* — Thomas Schneck

(57) **CLAIM**

I claim the design for a sink top, as shown and described.

DESCRIPTION

FIG. 1 is an upper front left perspective view of a sink top of my design, the dashed lines representing unclaimed features;

FIG. 2 is a front plan view thereof;

FIG. 3 is a rear plan view thereof;

FIG. 4 is a left side plan view thereof, the right side plan view being a mirror image thereof;

FIG. 5 is a top plan view thereof;

FIG. 6 is a bottom plan view thereof;

FIG. 7 is an upper front left perspective view of a second embodiment of a sink top of my design, the dashed lines representing unclaimed features;

FIG. 8 is a front plan view thereof;

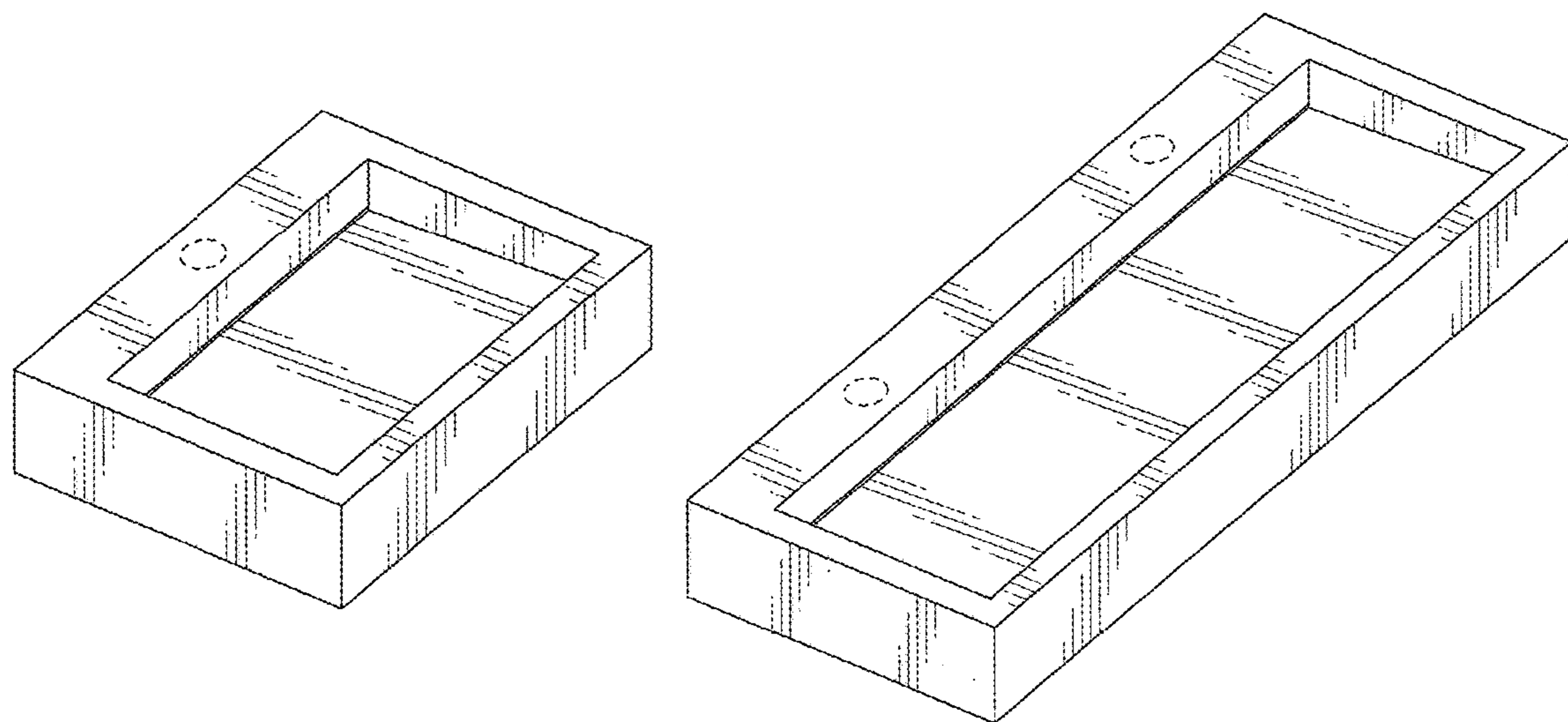
FIG. 9 is a rear plan view thereof;

FIG. 10 is a left side plan view thereof, the right side plan view being a mirror image thereof;

FIG. 11 is a top plan view thereof; and,

FIG. 12 is a bottom plan view thereof.

1 Claim, 6 Drawing Sheets



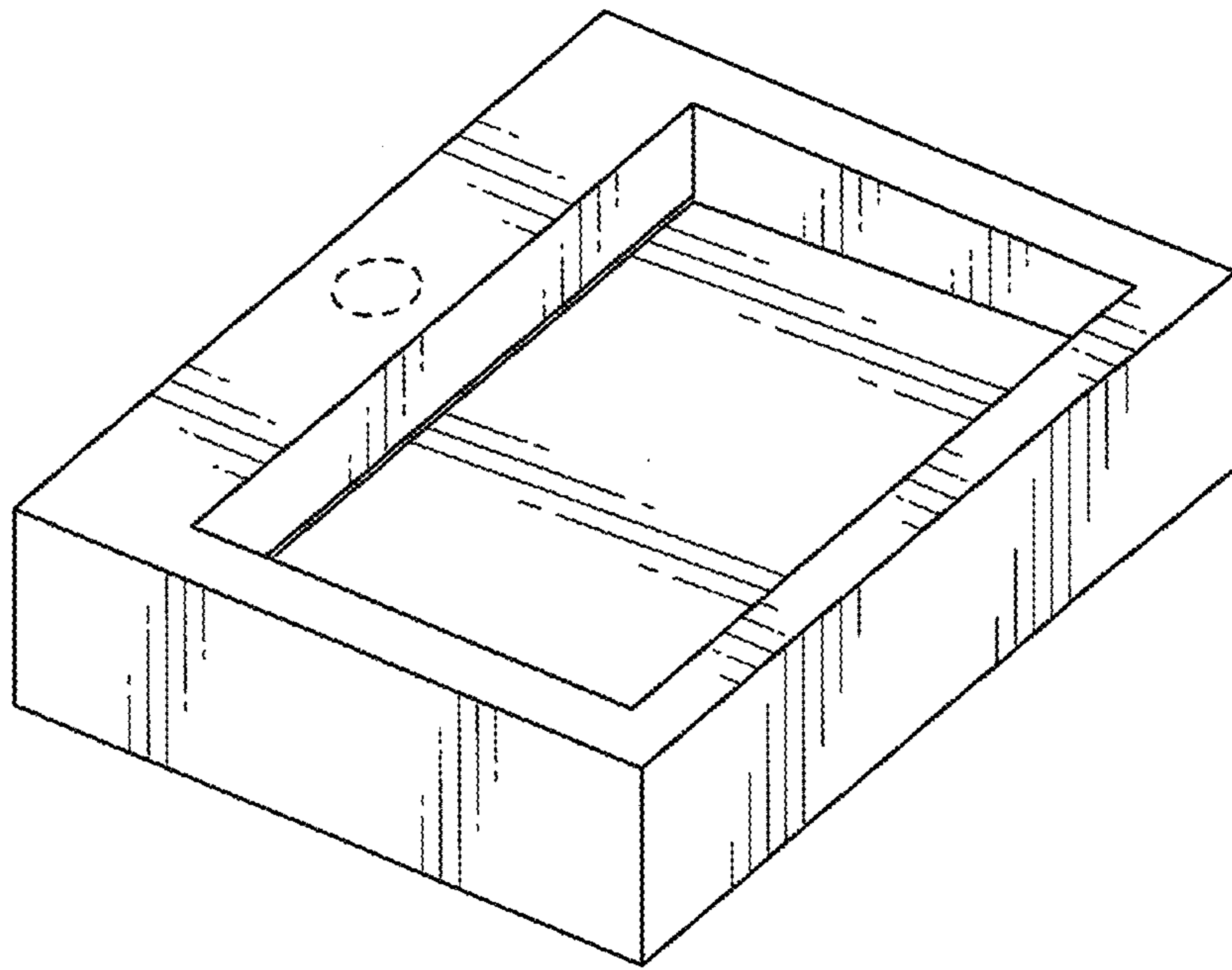


FIG. 1

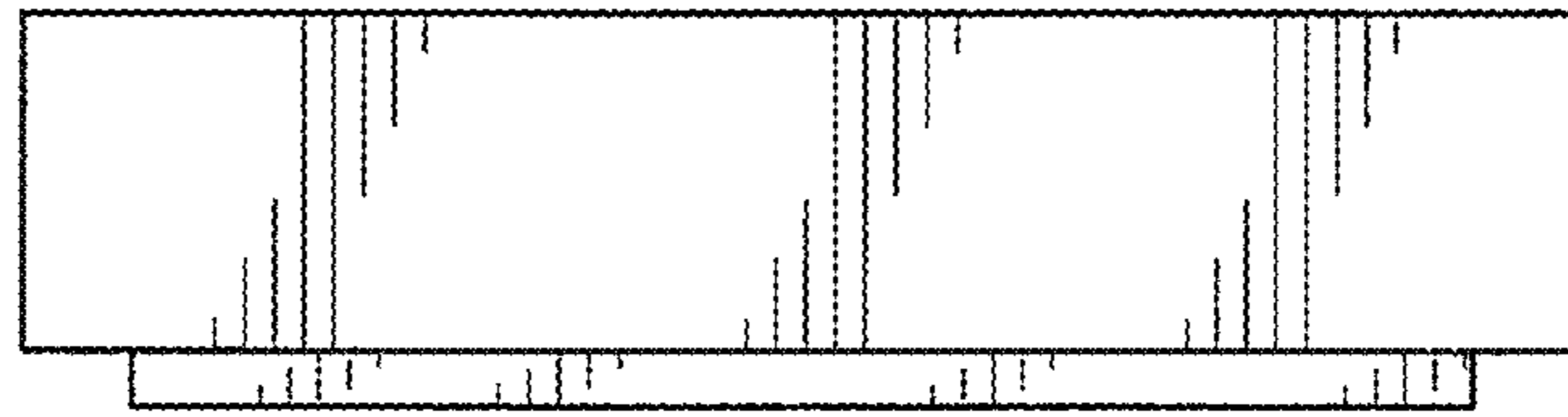


FIG. 2

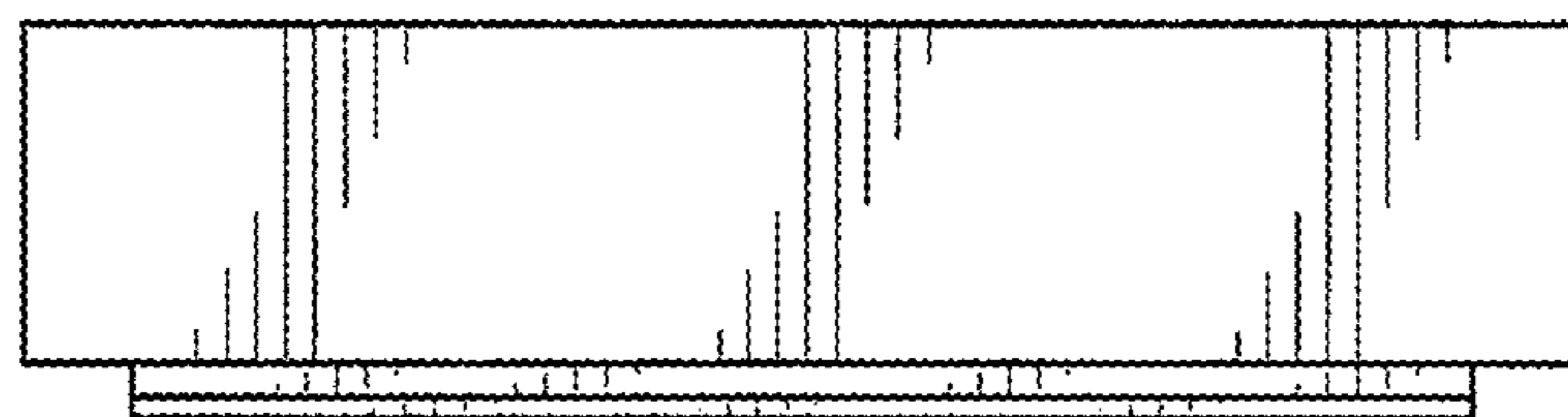


FIG. 3

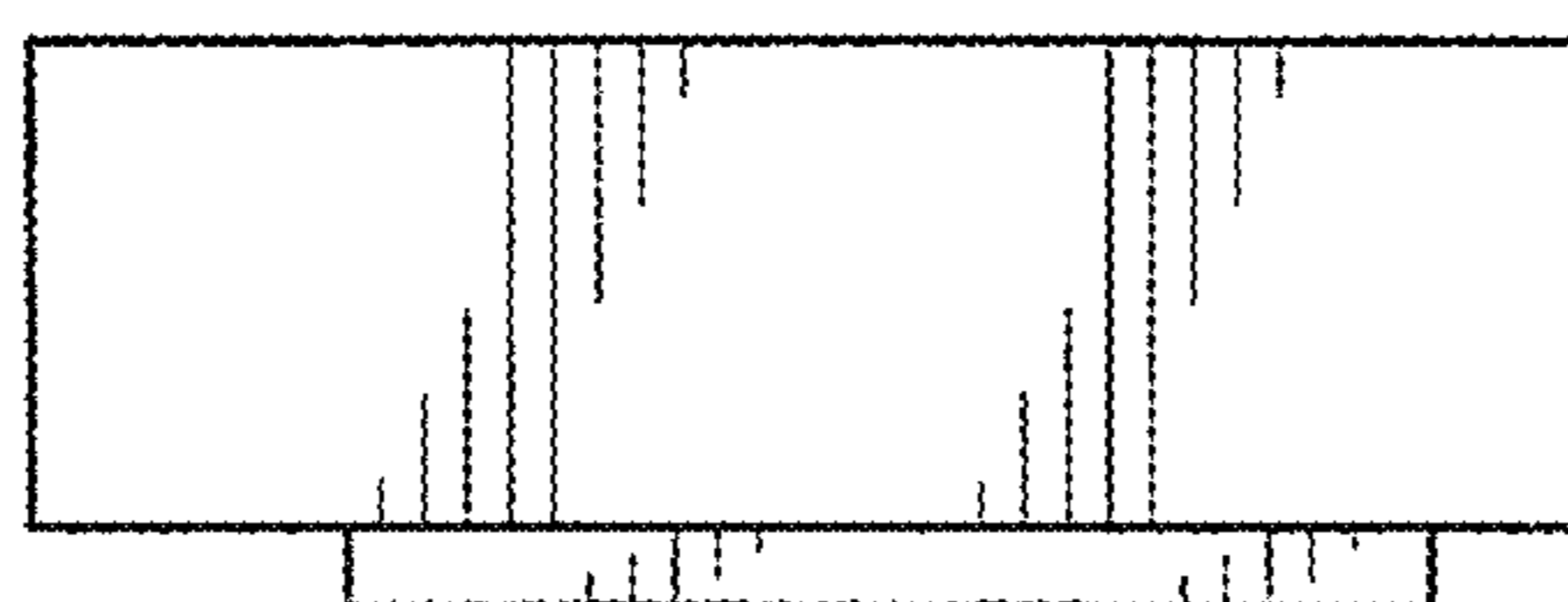


FIG. 4

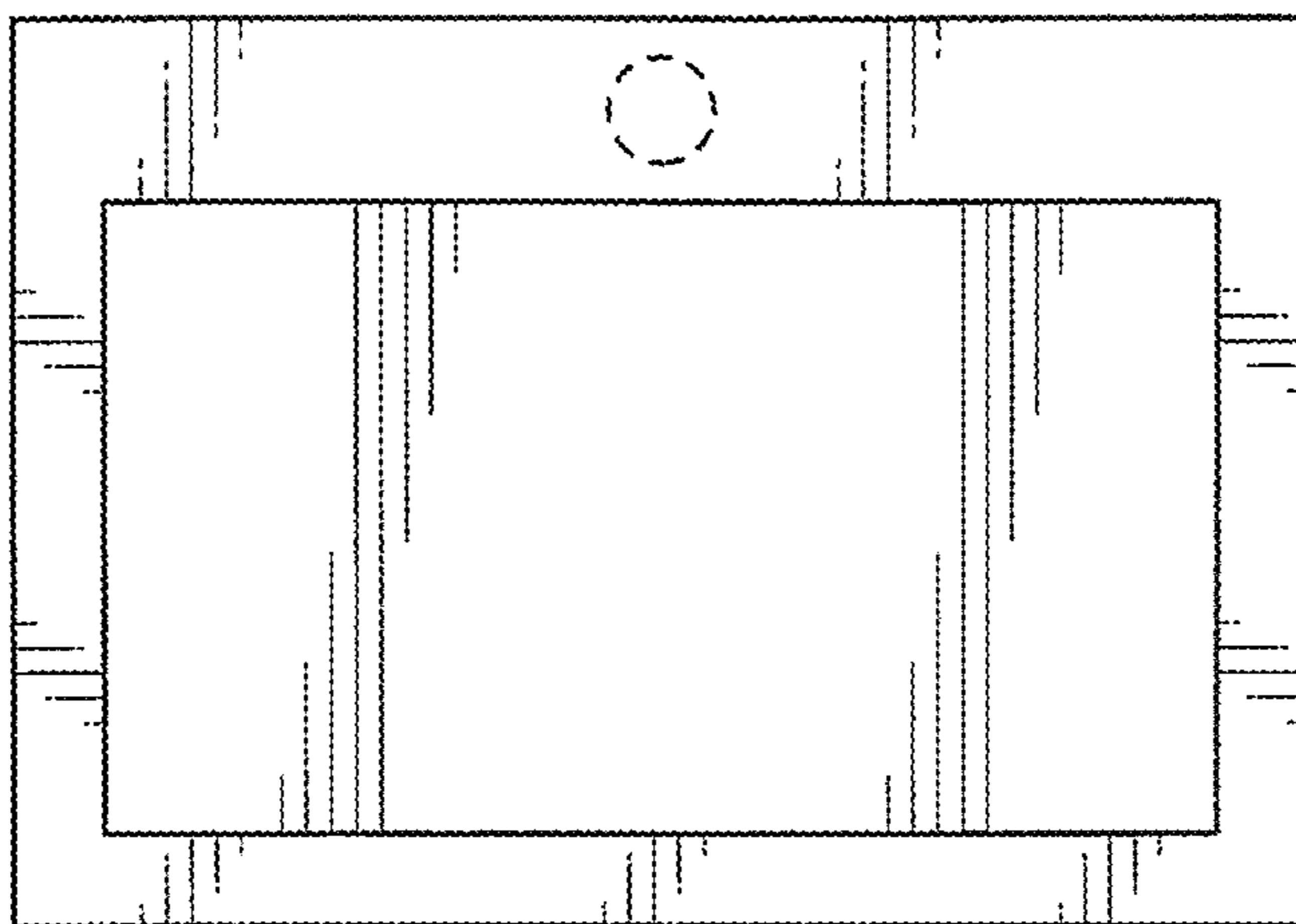


FIG. 5

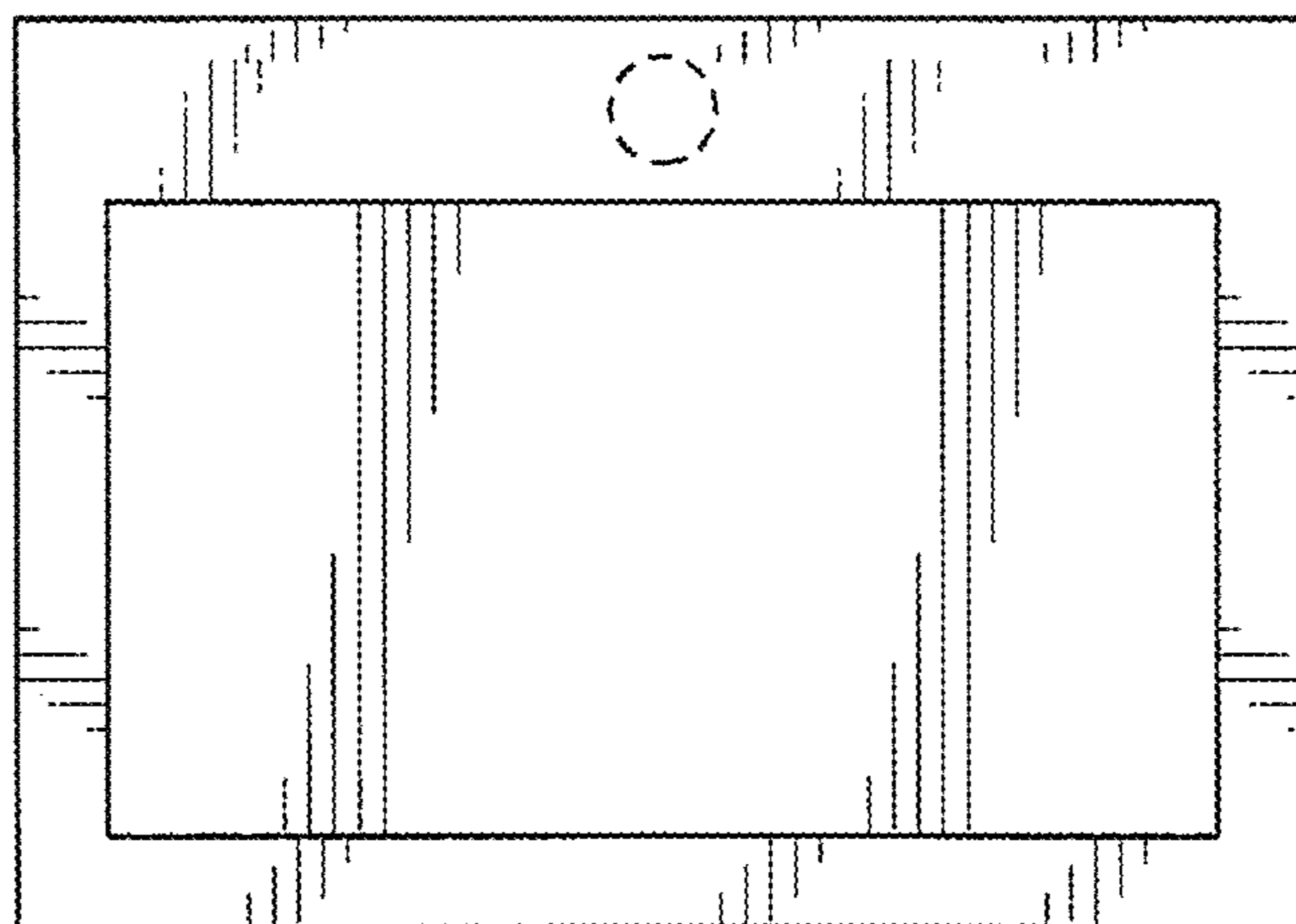


FIG. 6

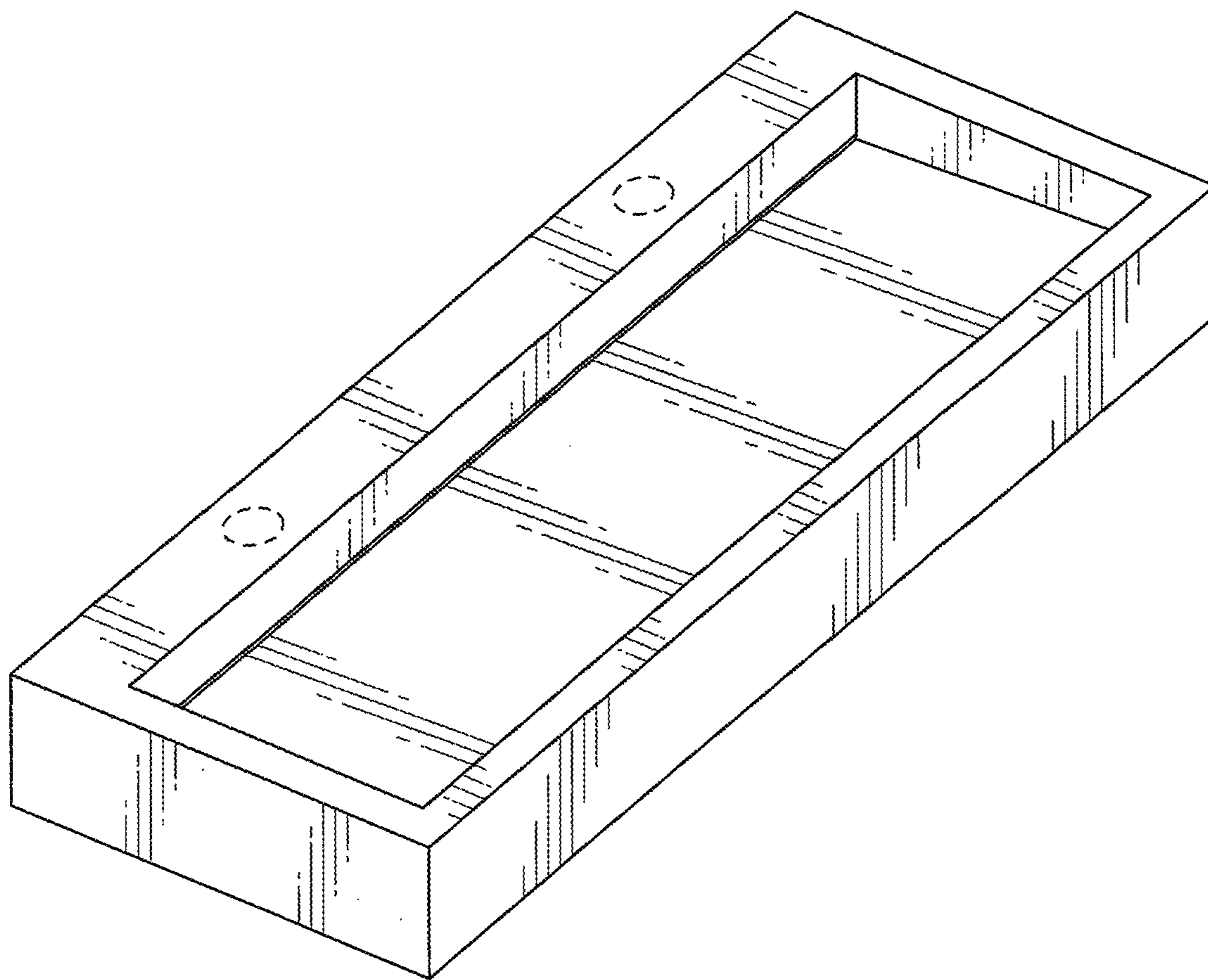


FIG. 7

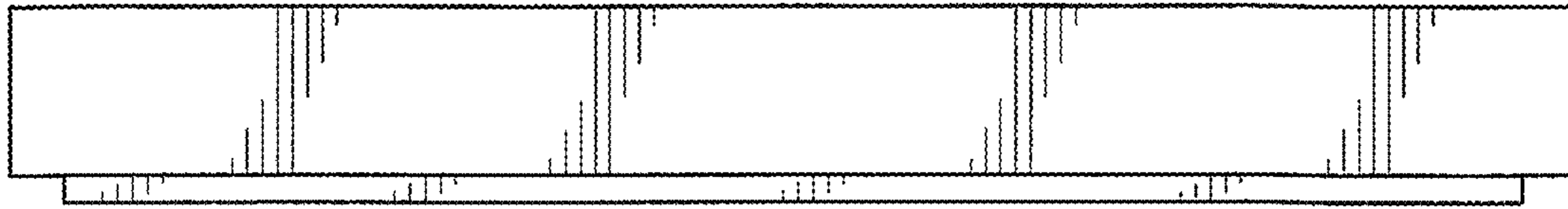


FIG. 8

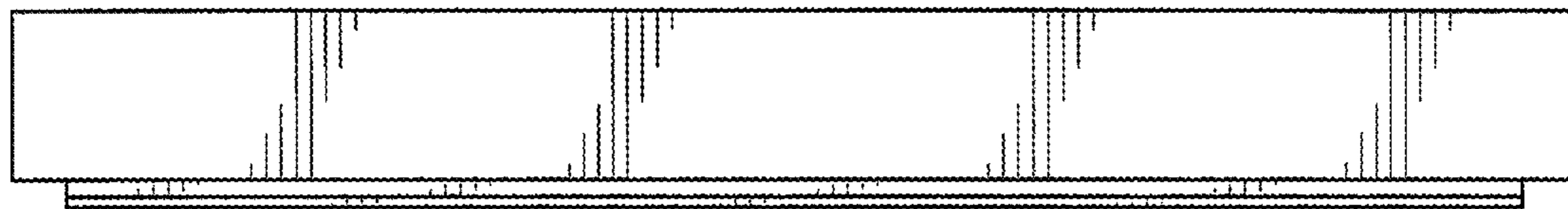


FIG. 9

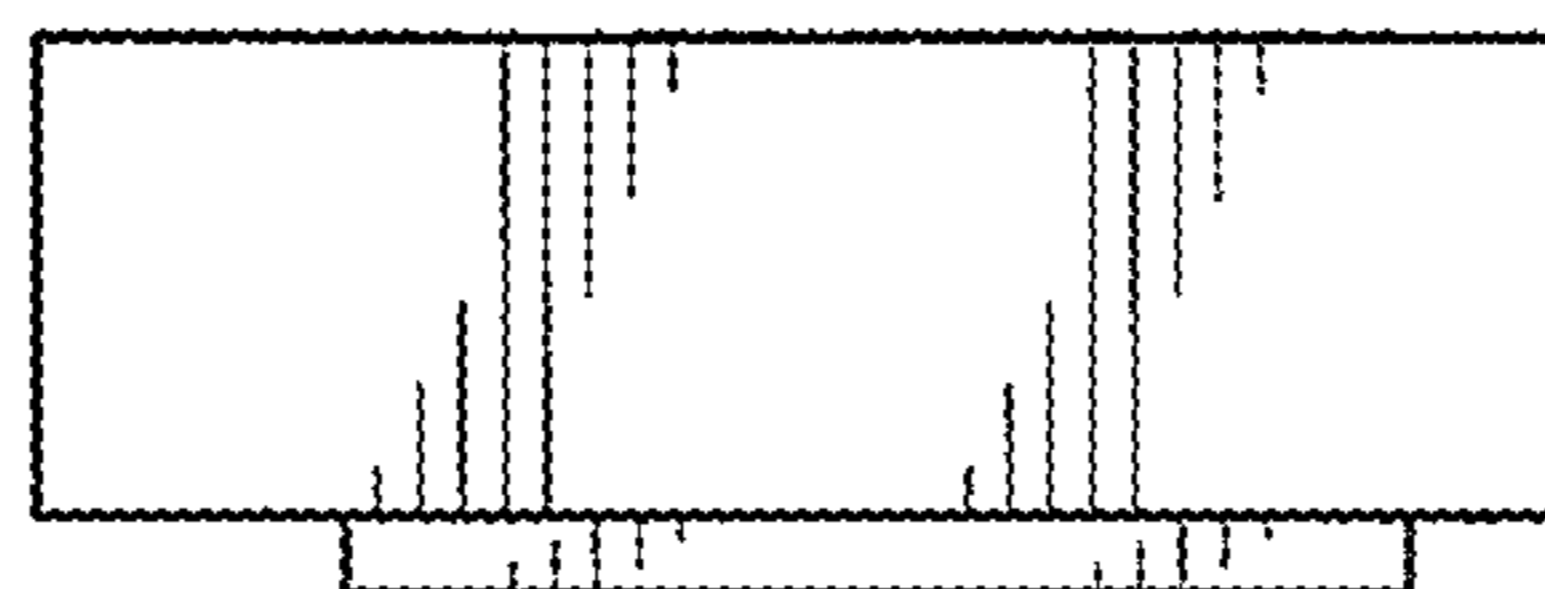


FIG. 10

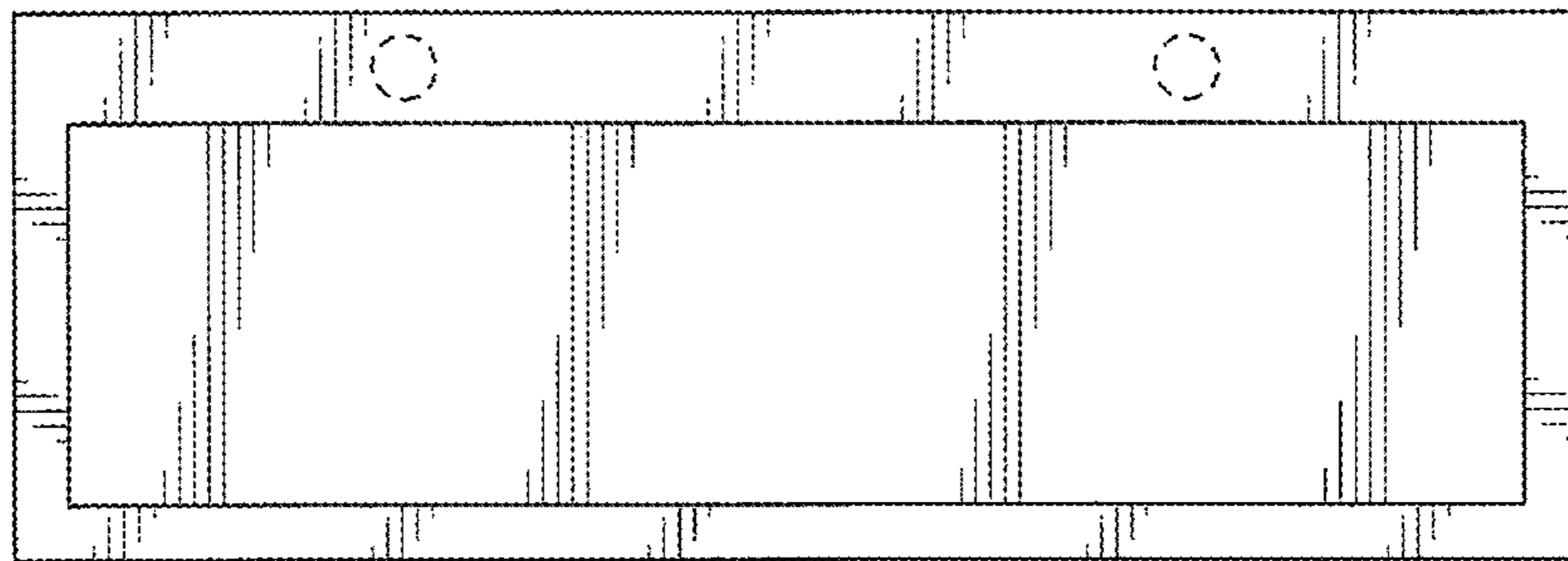


FIG. 11

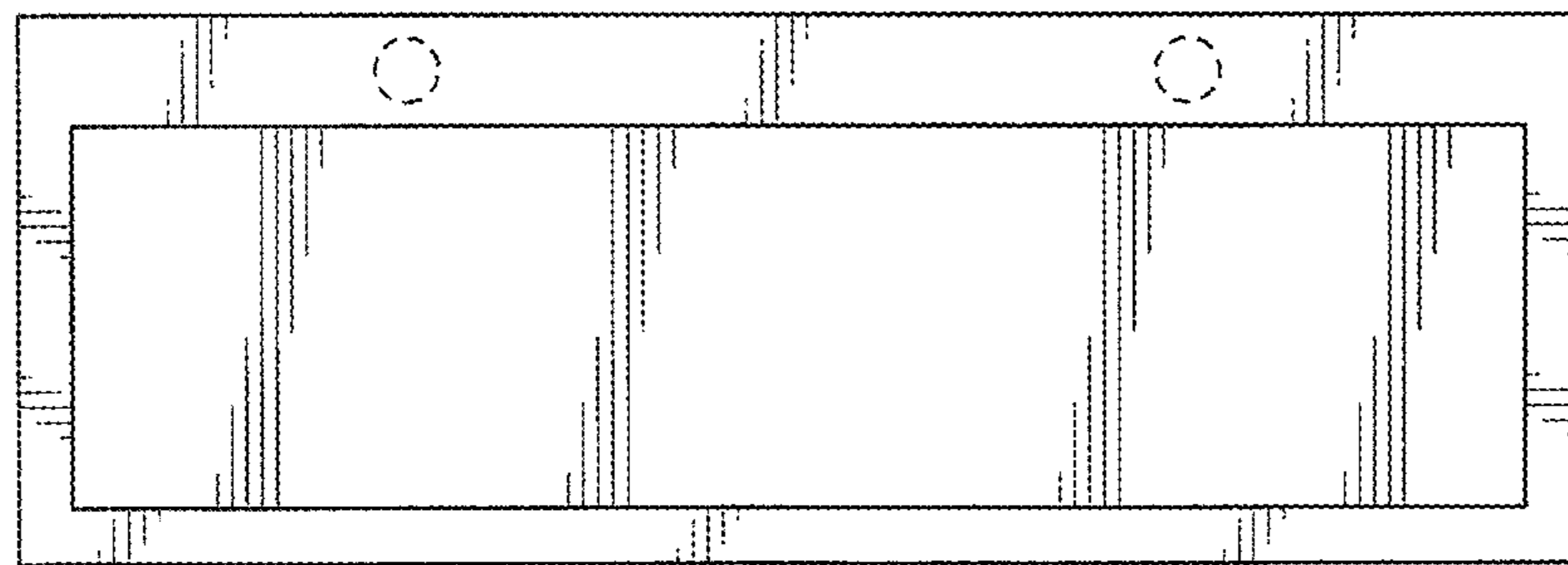


FIG. 12