



US00D797906S

(12) **United States Design Patent**  
**Danelon et al.**

(10) **Patent No.:** **US D797,906 S**  
(45) **Date of Patent:** **\*\* Sep. 19, 2017**

(54) **FLOATING TOP AND ABOVE COUNTER SINK**

(71) Applicant: **Ronbow Corporation**, Fremont, CA (US)

(72) Inventors: **Claudia Danelon**, London (GB);  
**Federico Meroni**, London (GB)

(73) Assignee: **Ronbow Corporation**, Fremont, CA (US)

(\*\*) Term: **15 Years**

(21) Appl. No.: **29/566,769**

(22) Filed: **Jun. 2, 2016**

(51) **LOC (10) Cl.** ..... **23-02**

(52) **U.S. Cl.**  
USPC ..... **D23/284**

(58) **Field of Classification Search**  
USPC ..... D23/284–293.1, 303, 308  
CPC ..... A47K 1/04; A47B 77/06; A47J 47/20  
See application file for complete search history.

(56) **References Cited**

**U.S. PATENT DOCUMENTS**

D162,613 S *	3/1951	Ball et al.	.....	D23/271
D445,489 S *	7/2001	Ferrer Beltran	.....	D23/286
D507,333 S *	7/2005	Beltran	.....	D23/286
D598,992 S *	8/2009	Aso	.....	D23/284
D753,278 S *	4/2016	Danelon	.....	D23/293.1
2010/0162961 A1 *	7/2010	Hove	.....	A01K 5/0142 119/51.5

**OTHER PUBLICATIONS**

Ronbow Floating Top/Above Counter Sink found online [Mar. 23, 2017] <http://styleture.com/2016/04/05/signature-series-by-ronbow/>.\*

\* cited by examiner

*Primary Examiner* — Robert M Spear

*Assistant Examiner* — John Voytek

(74) *Attorney, Agent, or Firm* — Thomas Schneck

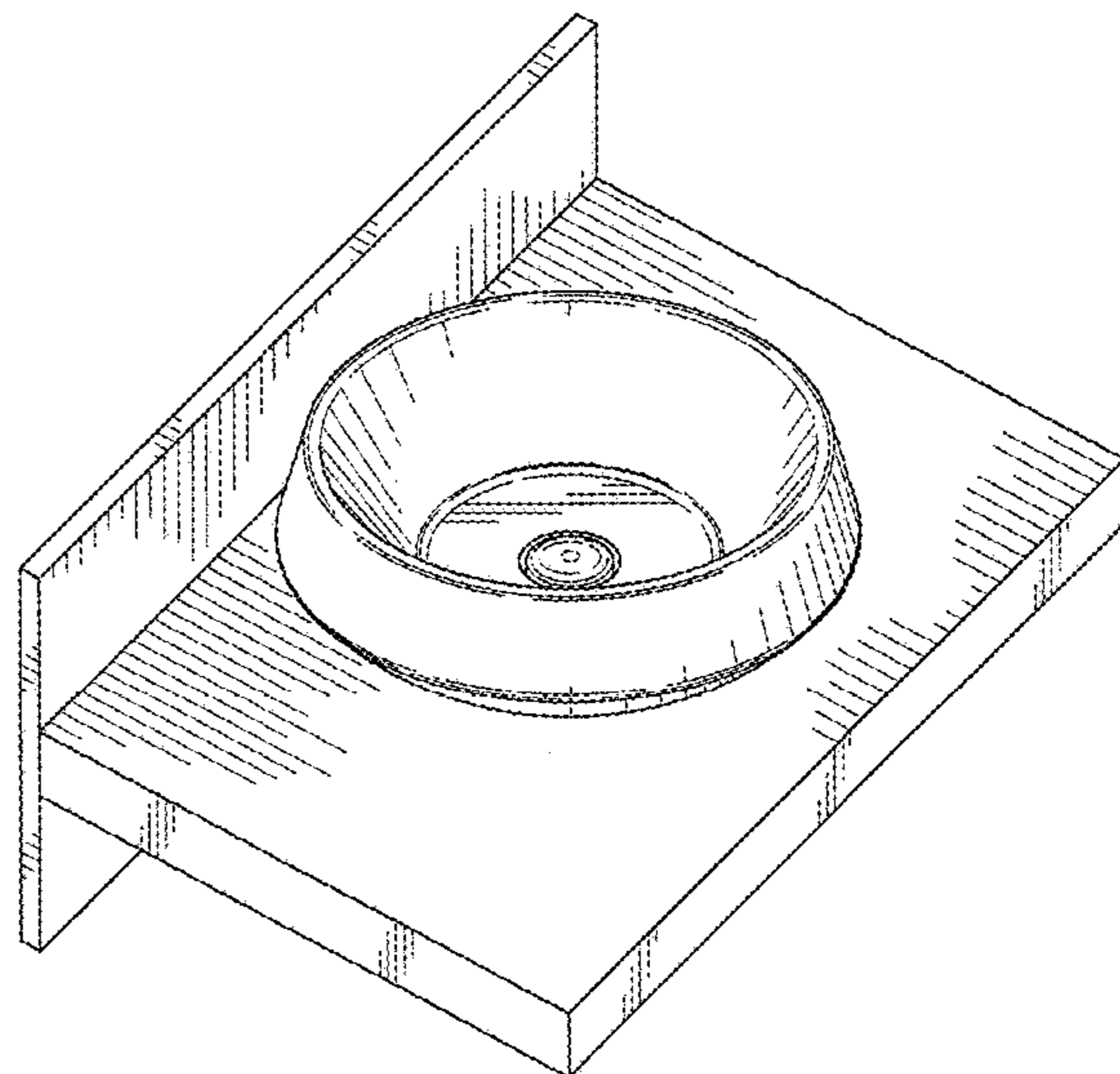
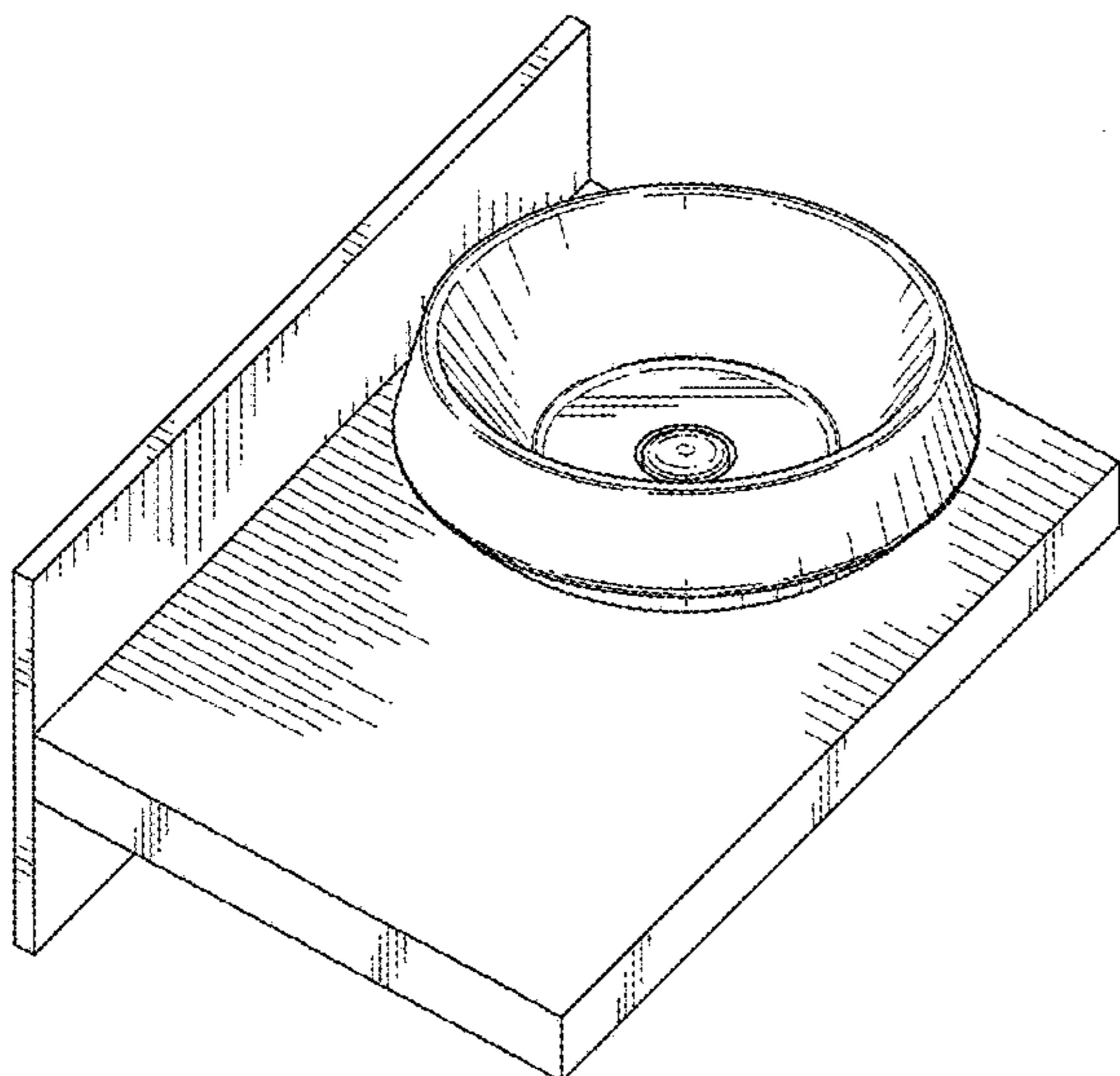
(57) **CLAIM**

We claim the design for a floating top and above counter sink, as shown and described.

**DESCRIPTION**

FIG. 1 is an upper front left perspective view of a floating top and above counter sink of our design;  
 FIG. 2 is a top plan view thereof;  
 FIG. 3 is a bottom plan view thereof;  
 FIG. 4 is a front plan view thereof;  
 FIG. 5 is a rear plan view thereof;  
 FIG. 6 is a right side plan view thereof, the left side plan view being a mirror image thereof;  
 FIG. 7 is an upper front left perspective view of a second embodiment of a floating top and above counter sink of our design;  
 FIG. 8 is a top plan view thereof;  
 FIG. 9 is a bottom plan view thereof;  
 FIG. 10 is a front plan view thereof;  
 FIG. 11 is a bottom plan view thereof;  
 FIG. 12 is a right side plan view thereof, the left side plan view being a mirror image thereof;  
 FIG. 13 is an upper front left perspective view of a third embodiment floating top and above counter sink of our design;  
 FIG. 14 is a top plan view thereof;  
 FIG. 15 is a bottom plan view thereof;  
 FIG. 16 is a front plan view thereof;  
 FIG. 17 is a bottom plan view thereof; and,  
 FIG. 18 is a ride side plan view thereof, the left side plan view being a mirror image thereof.

**1 Claim, 9 Drawing Sheets**



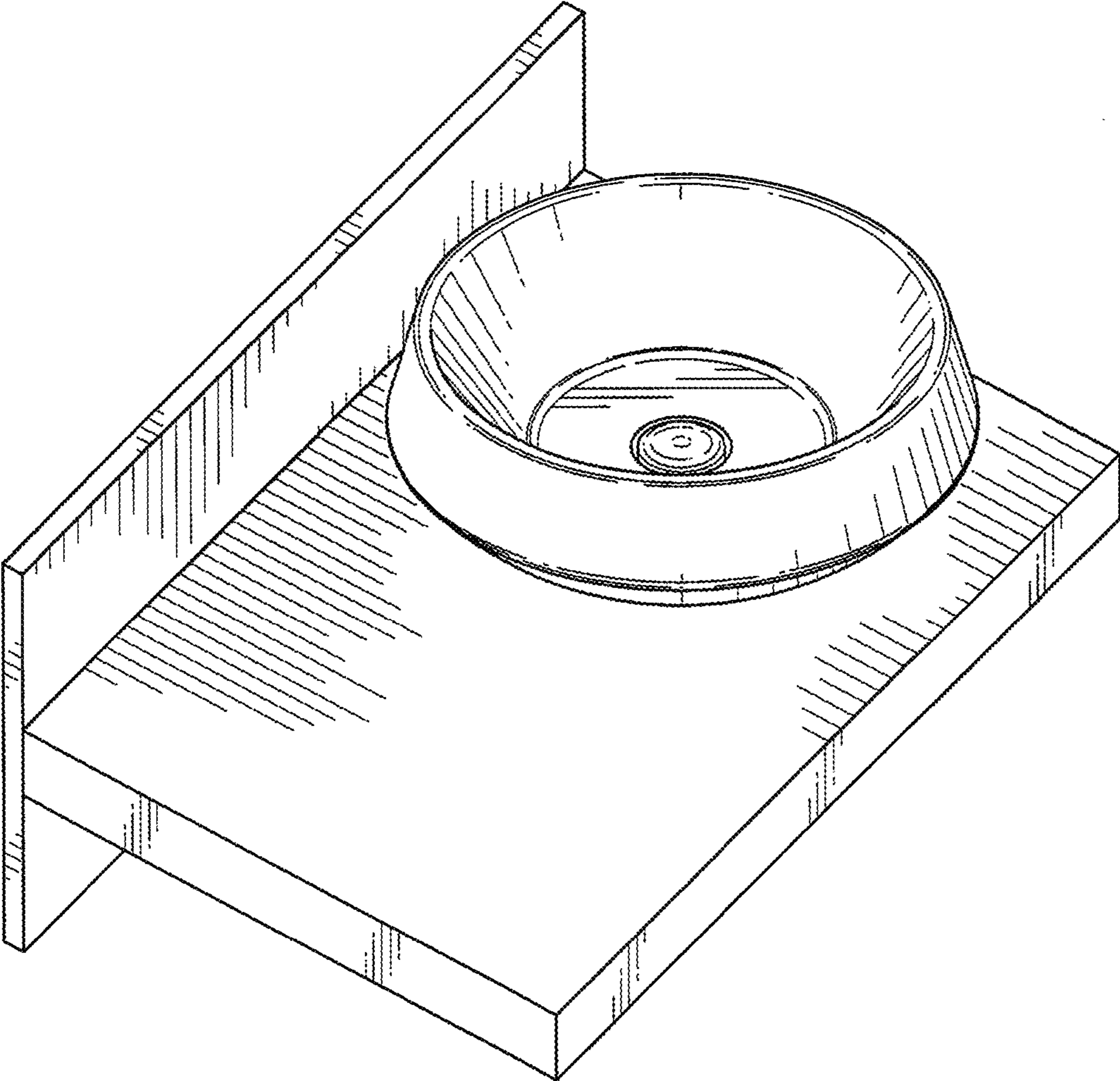


FIG. 1

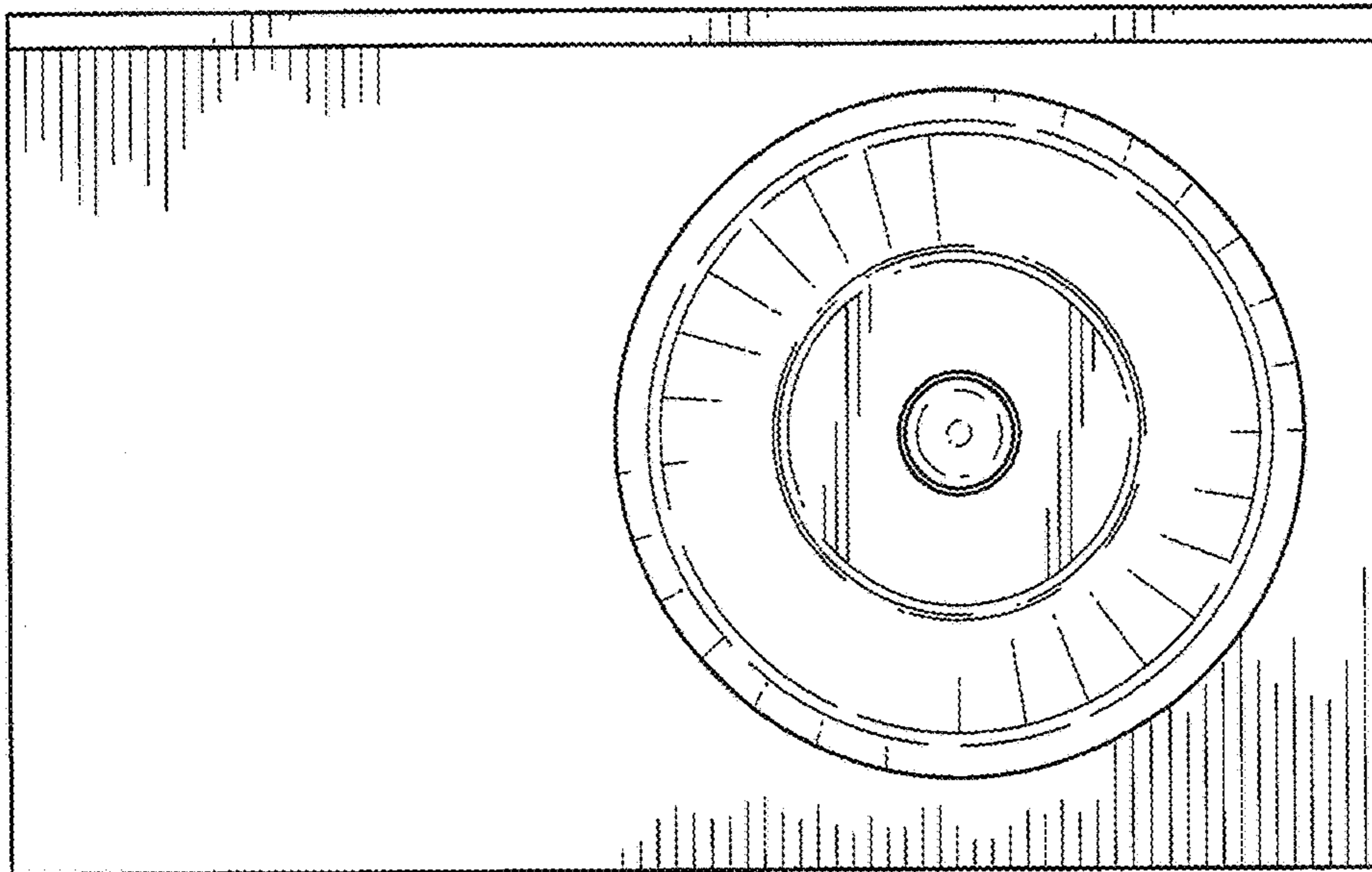


FIG. 2

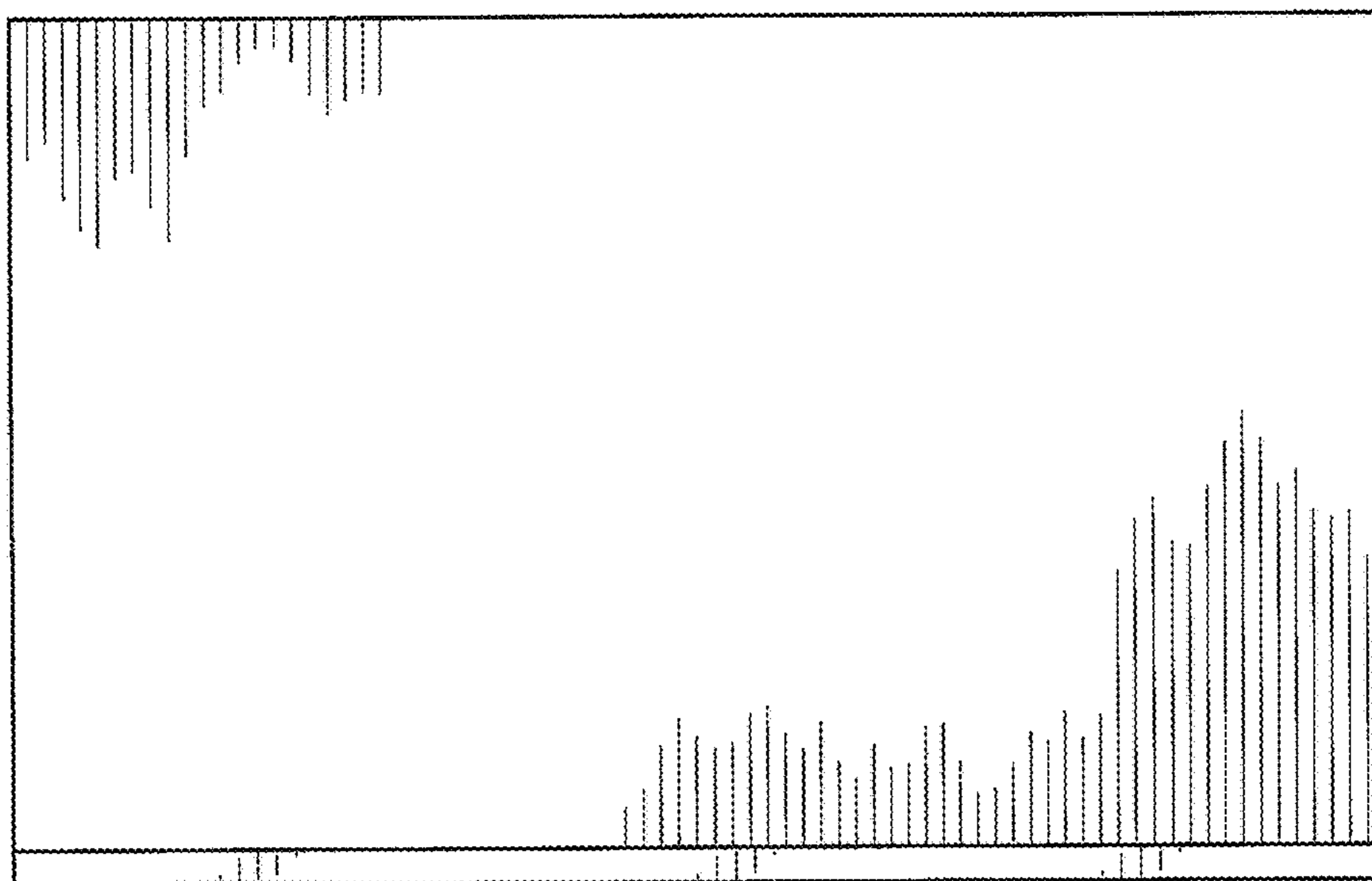


FIG. 3

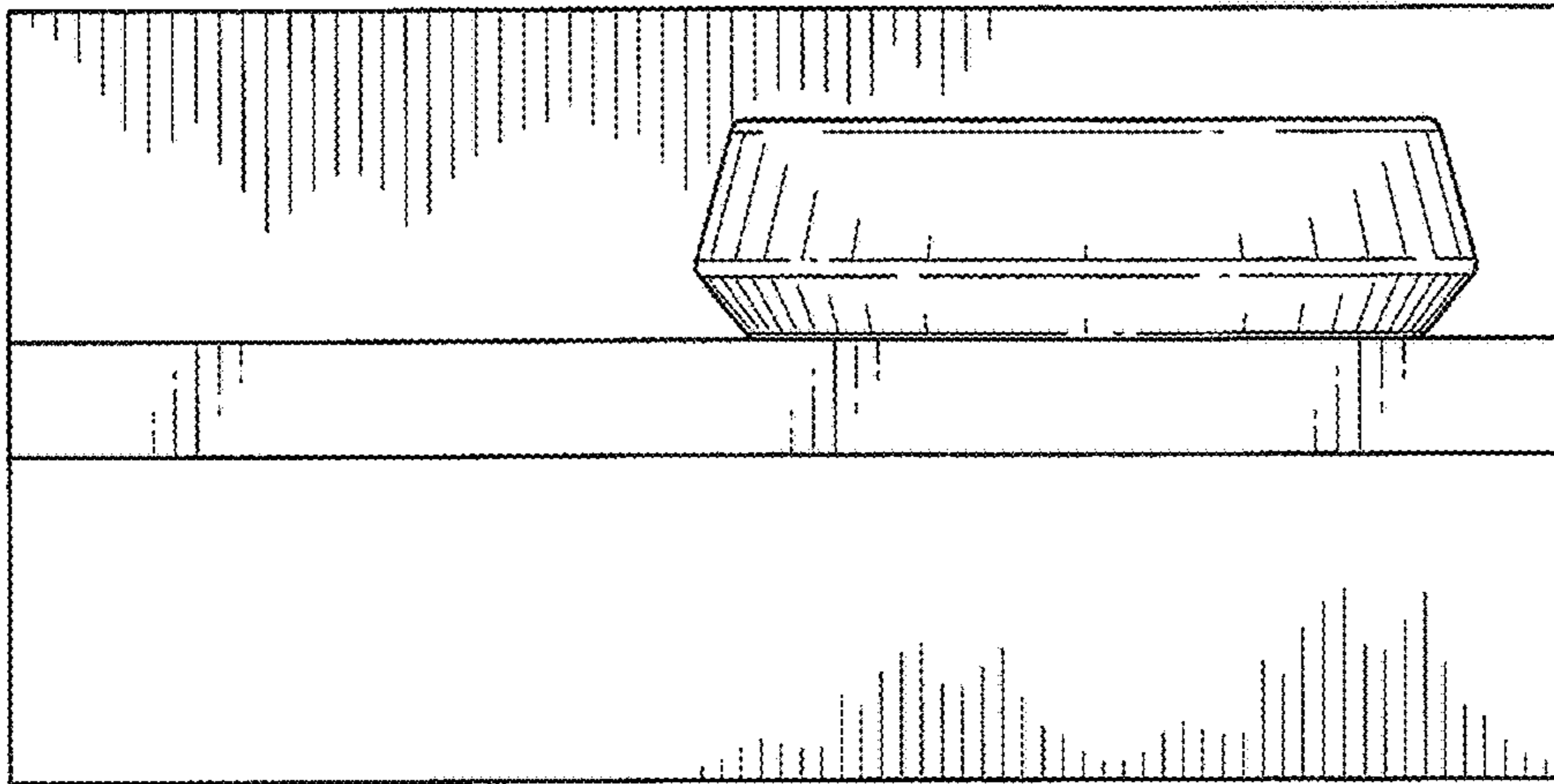


FIG. 4

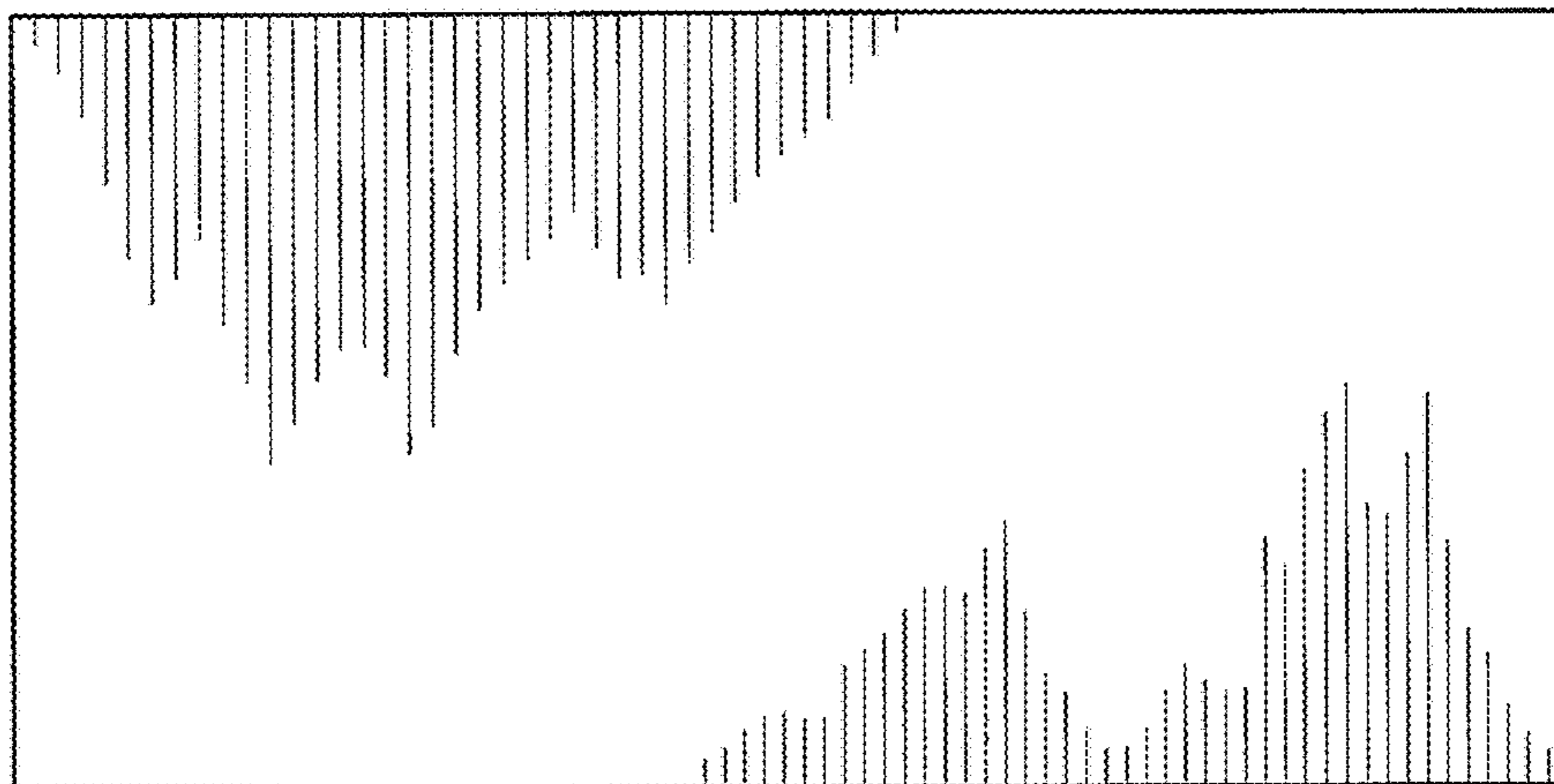


FIG. 5

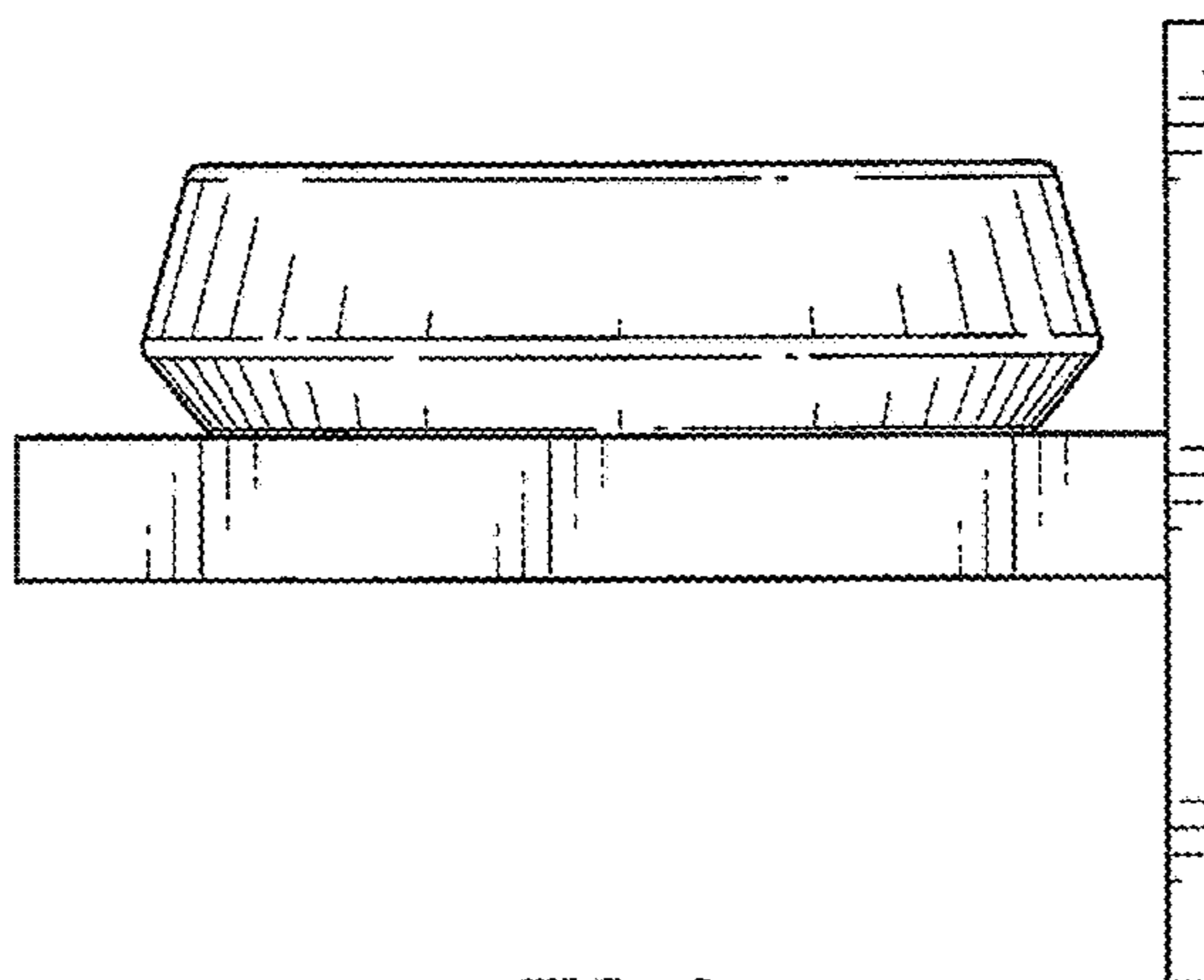


FIG. 6

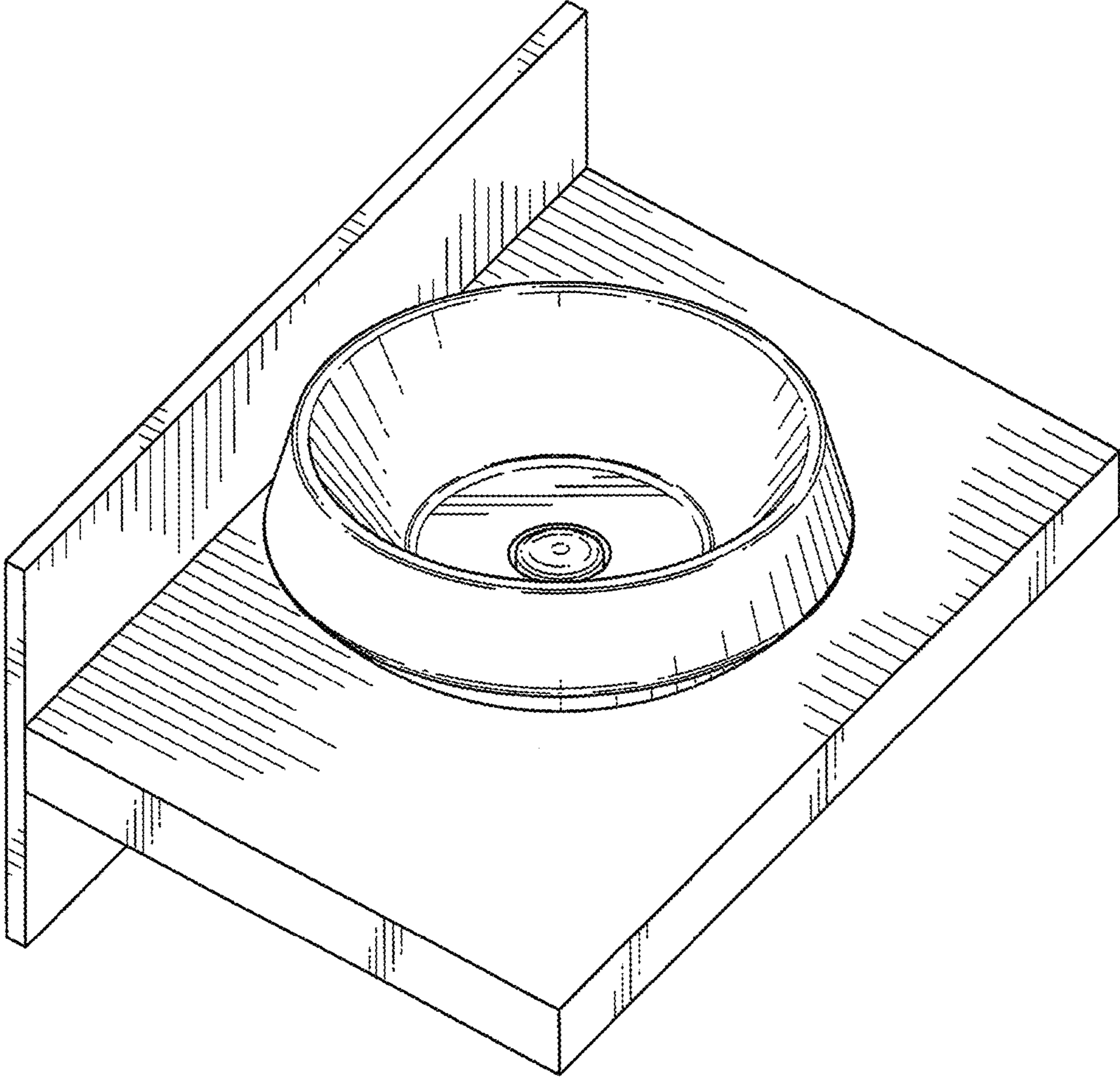


FIG. 7

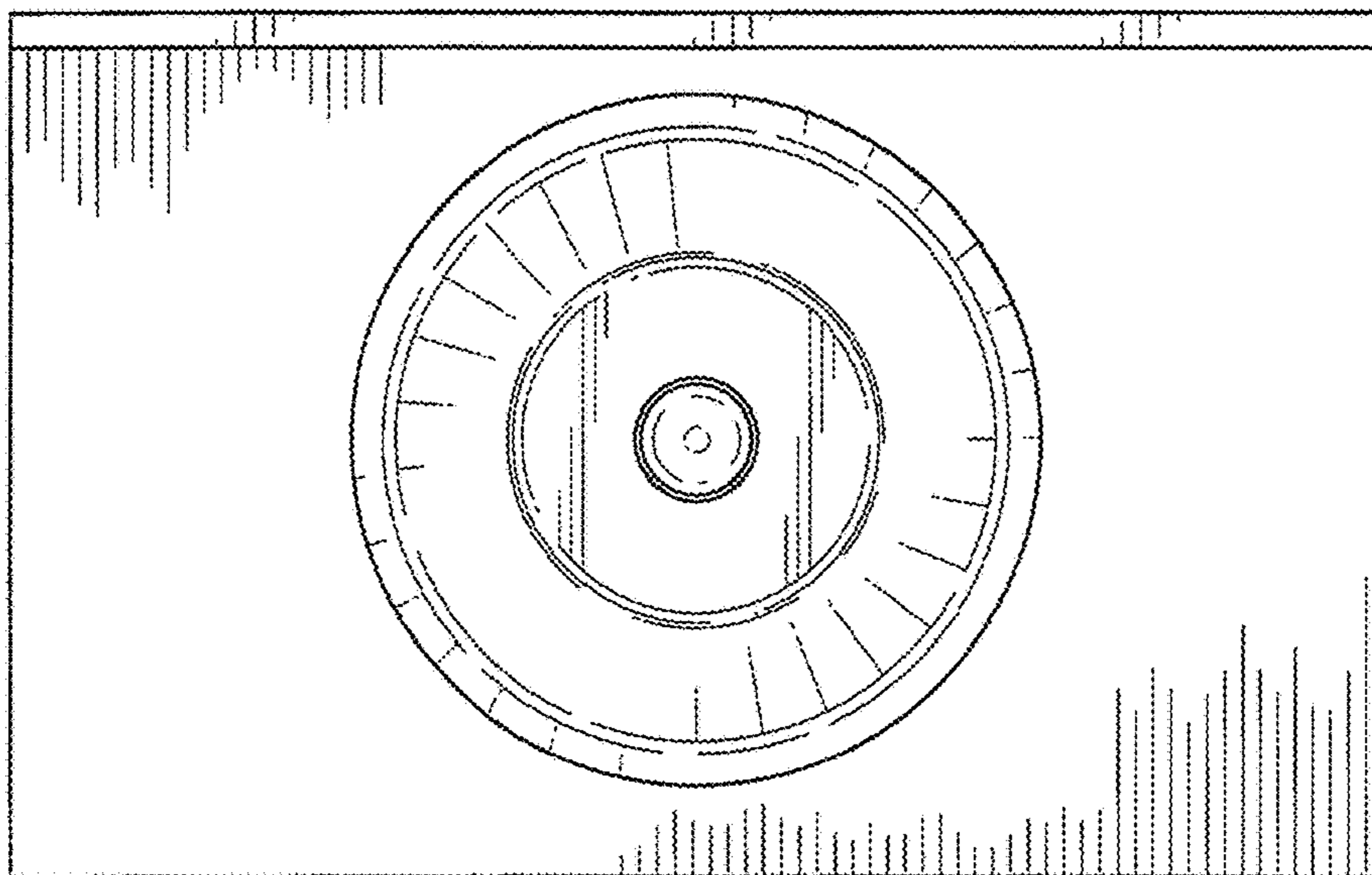


FIG. 8

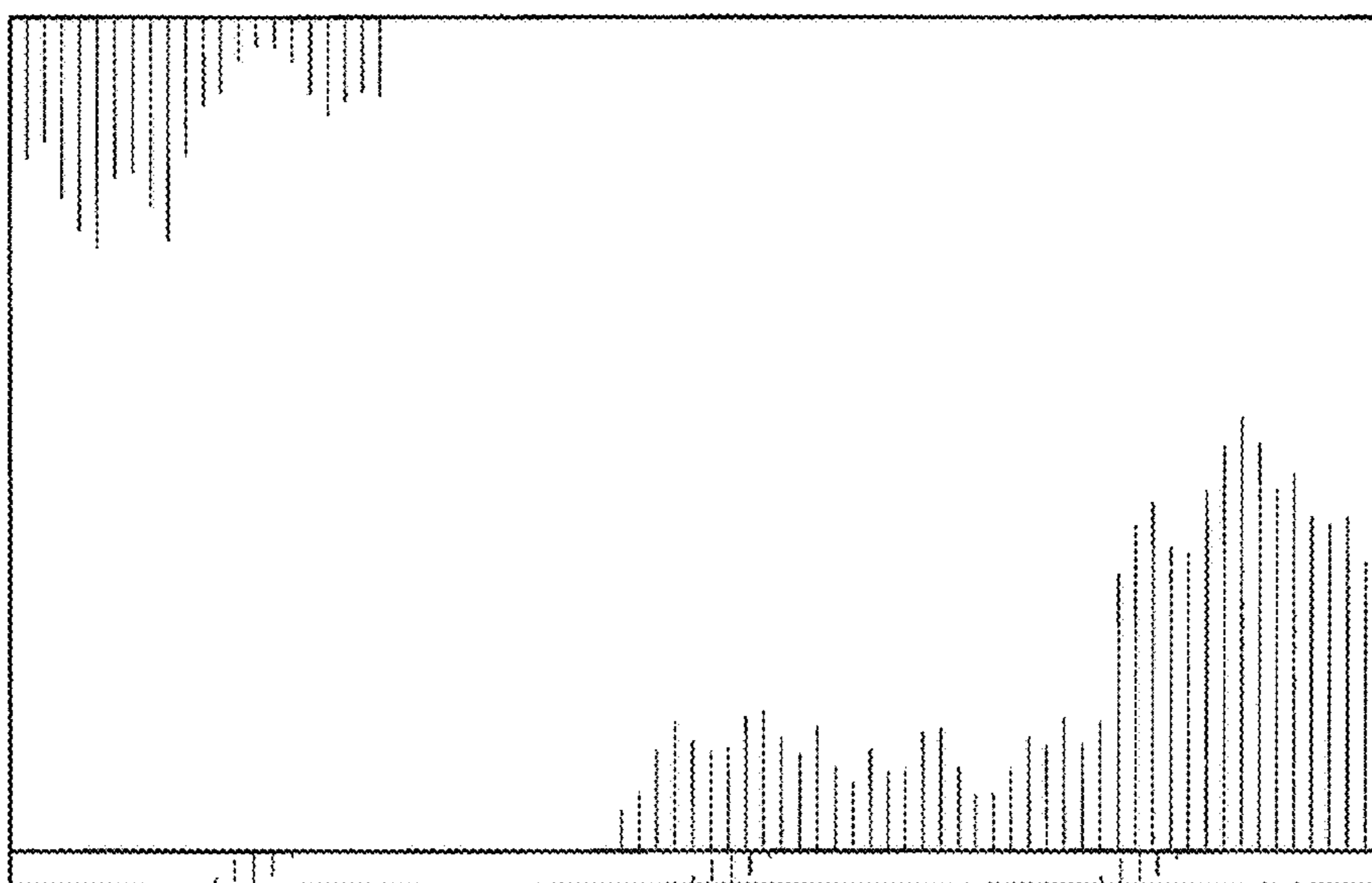


FIG. 9

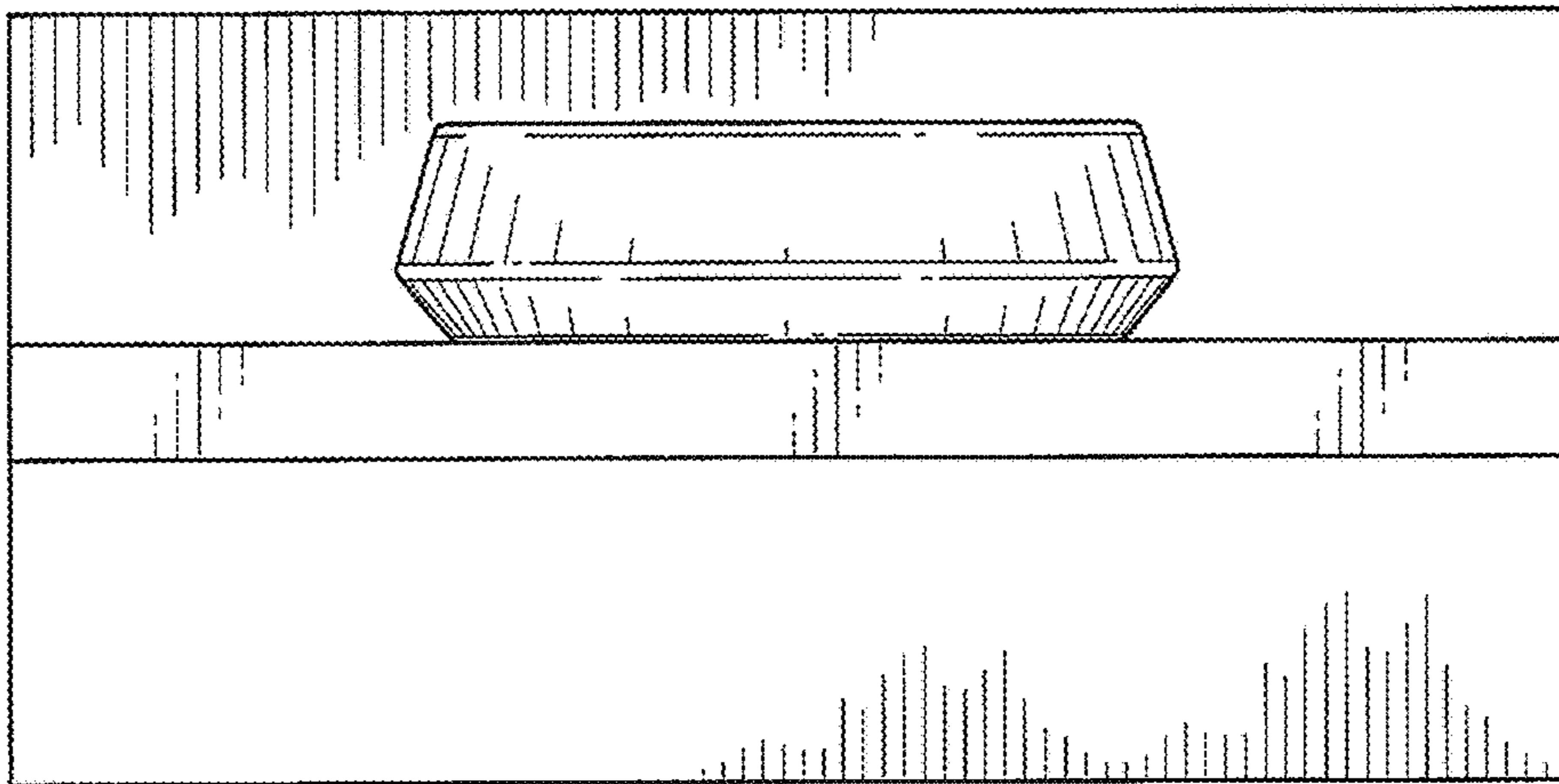


FIG. 10

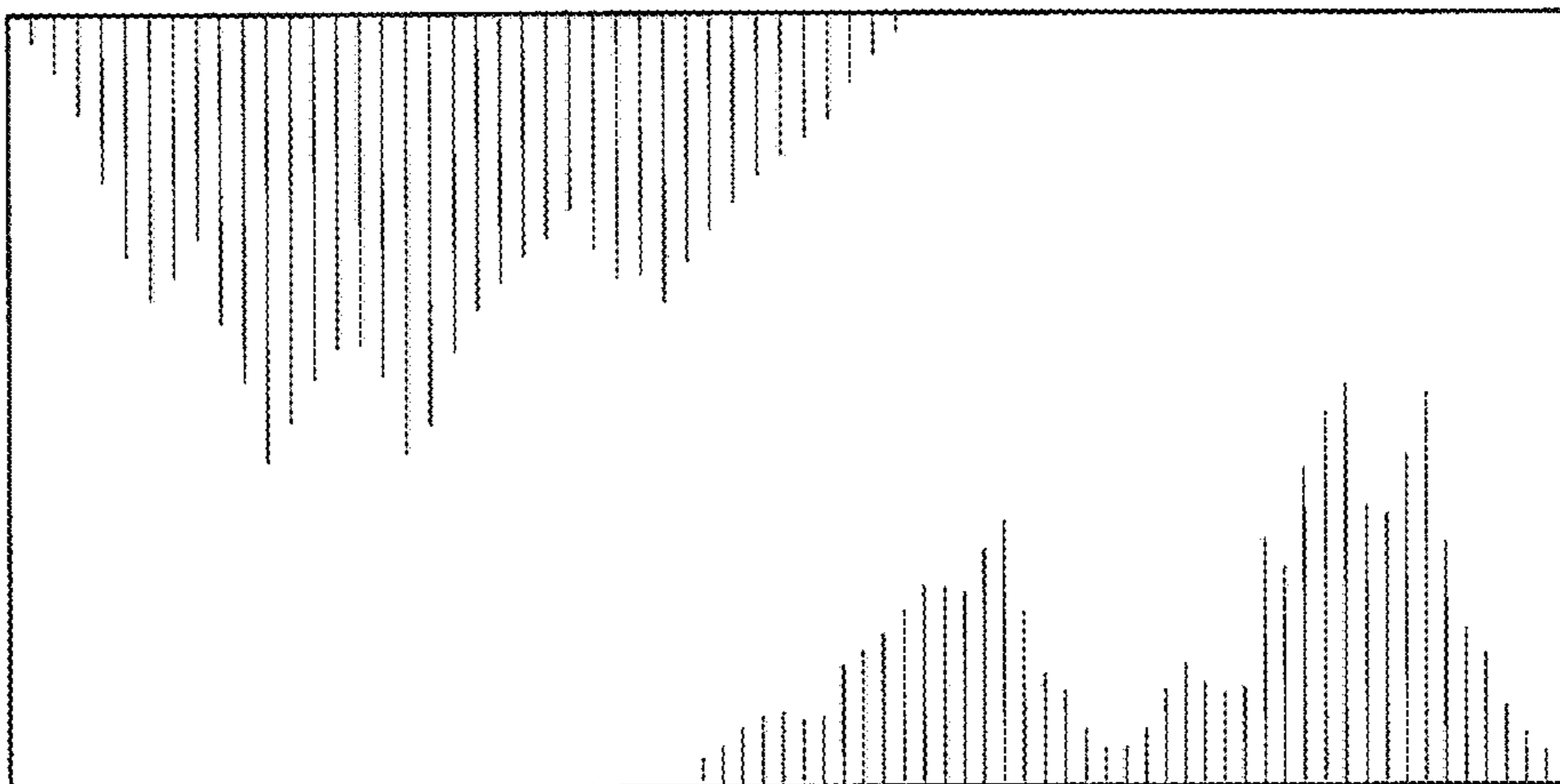


FIG. 11

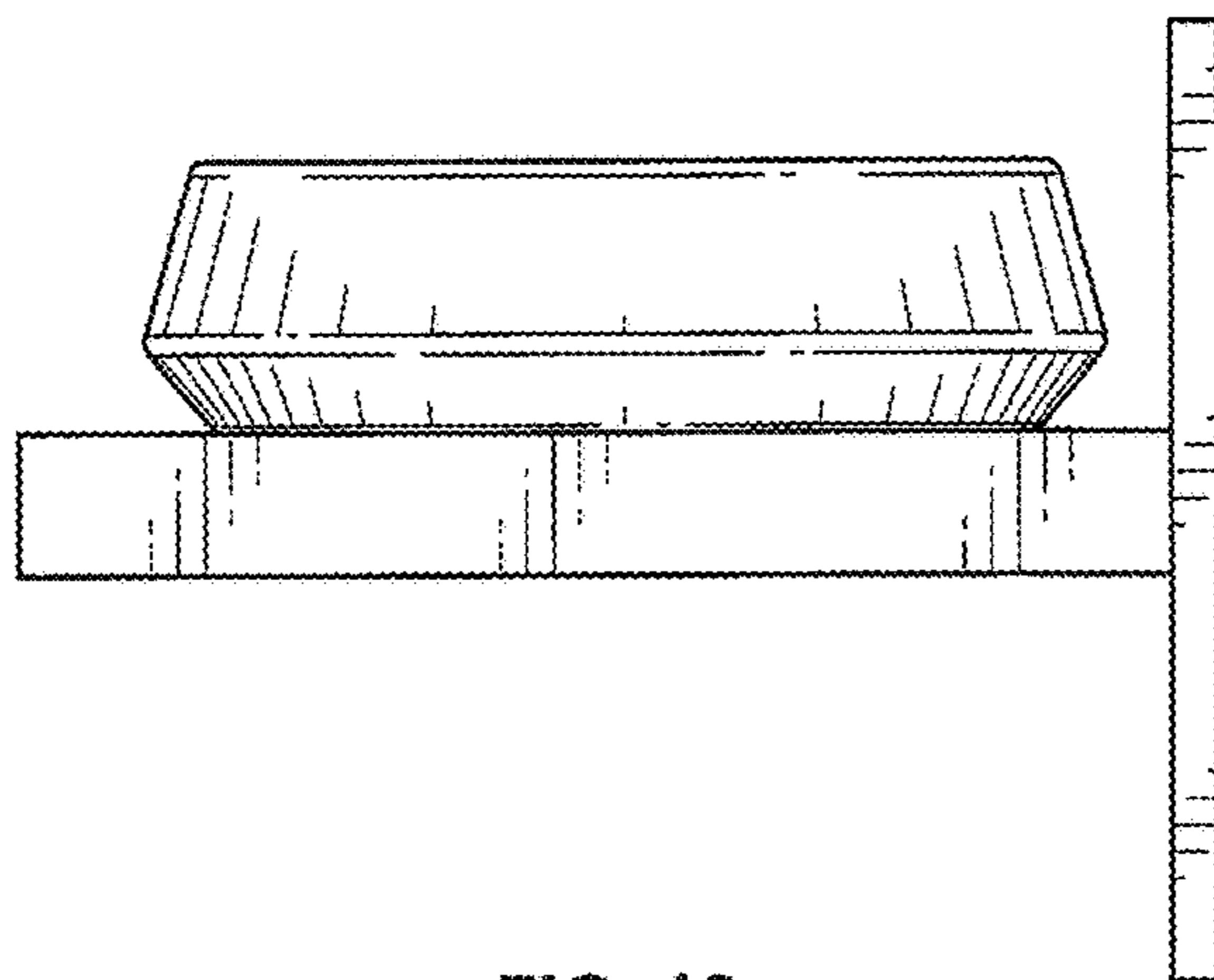


FIG. 12

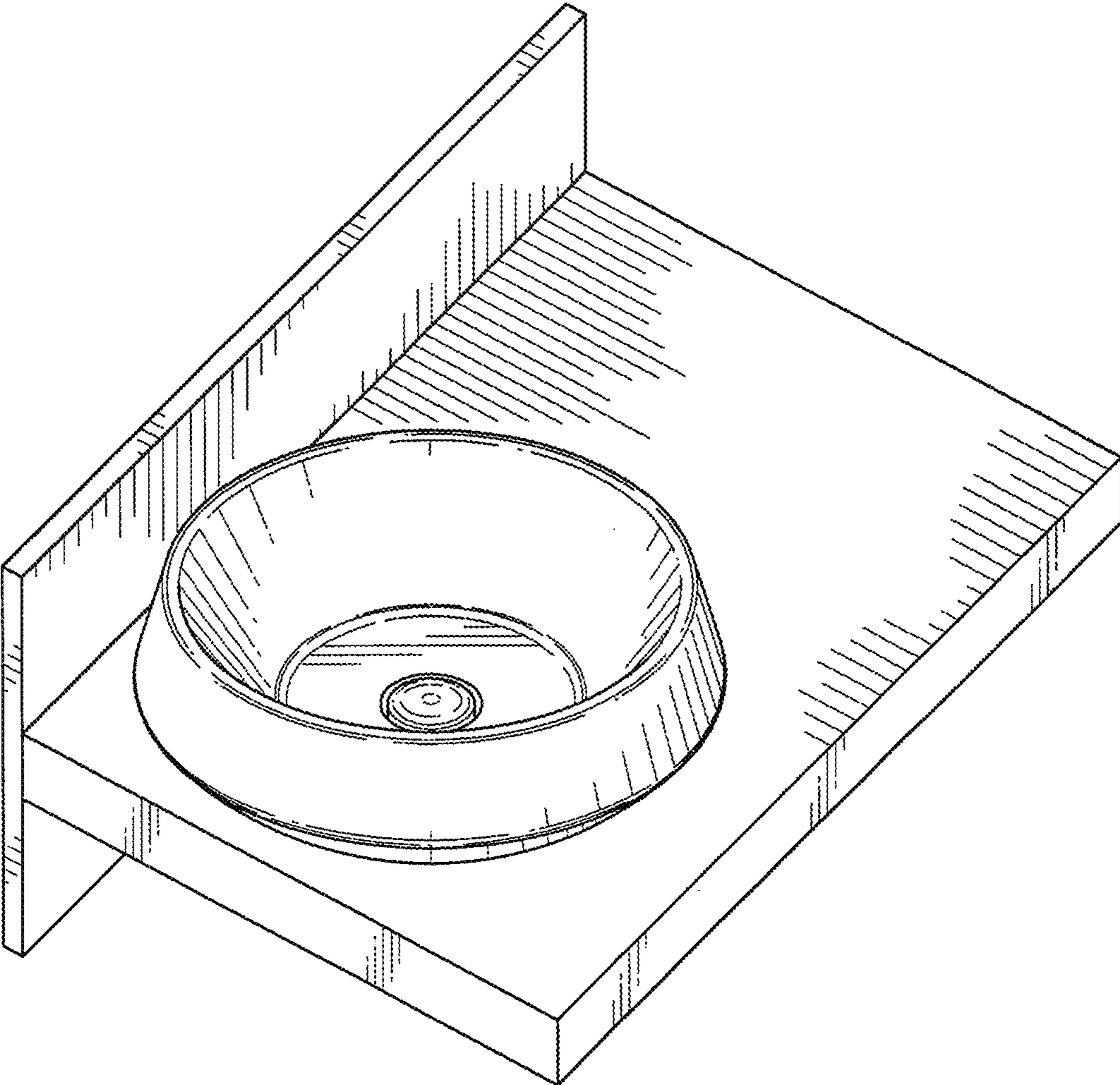


FIG. 13



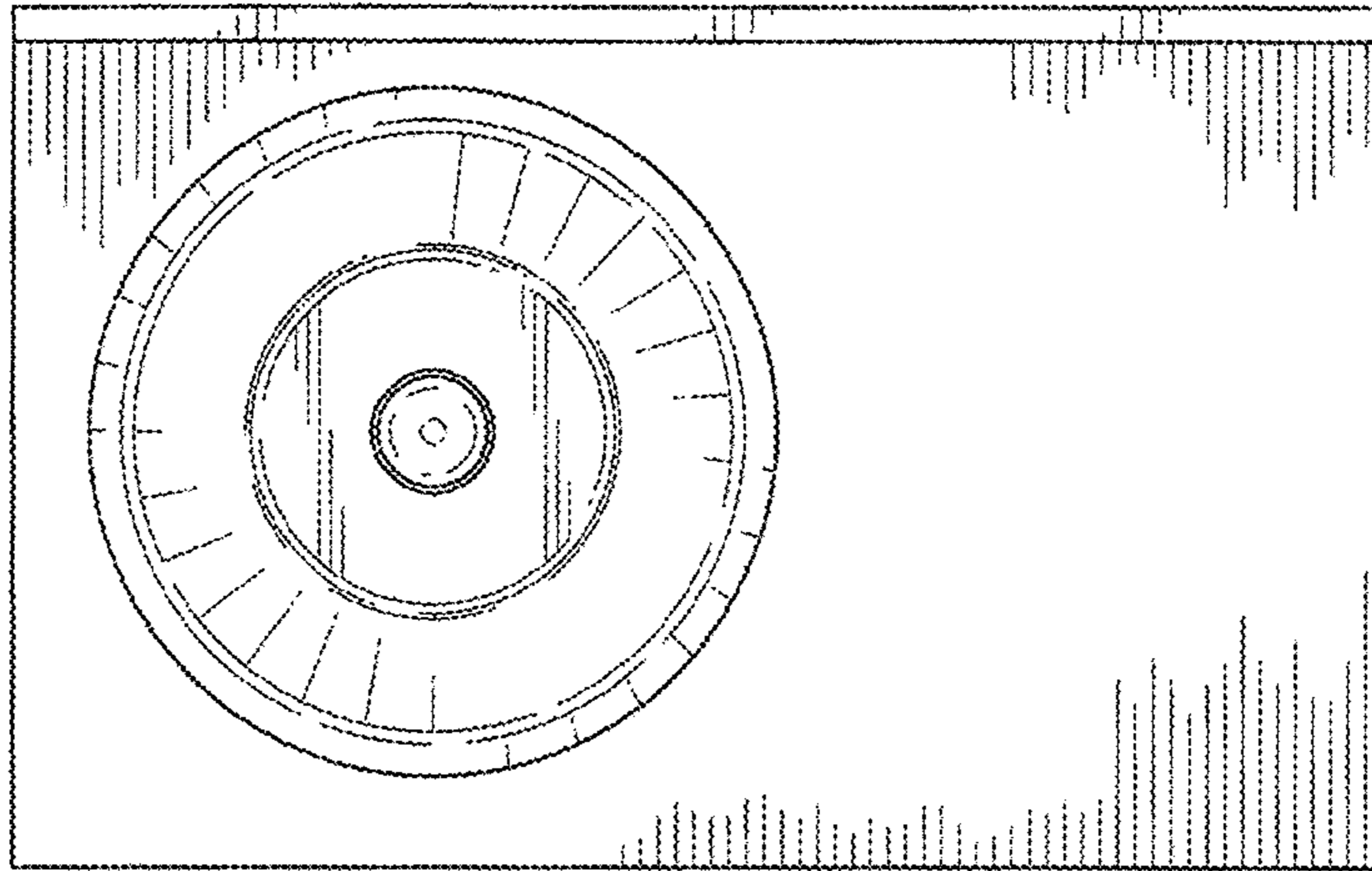


FIG. 14

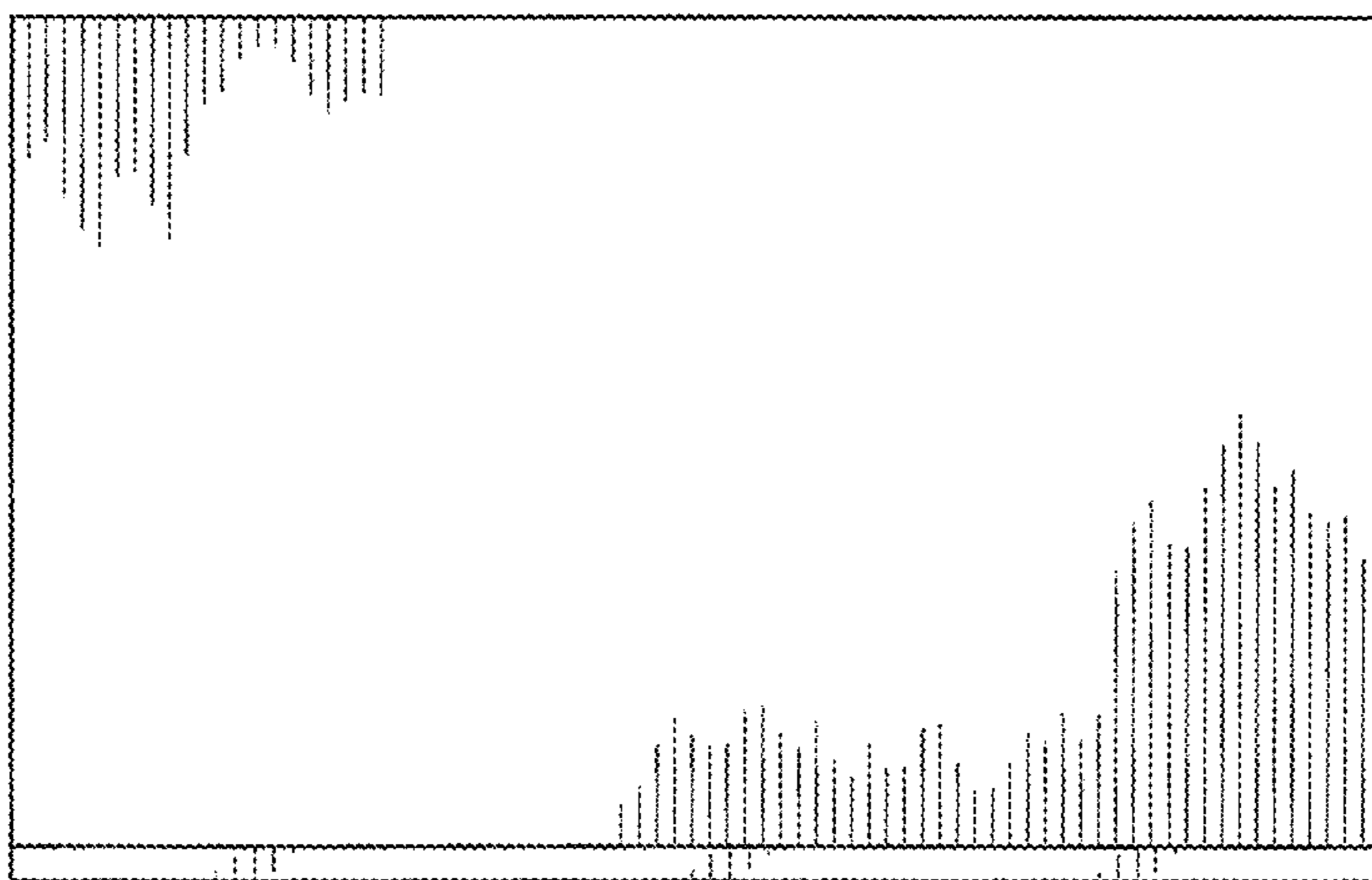


FIG. 15

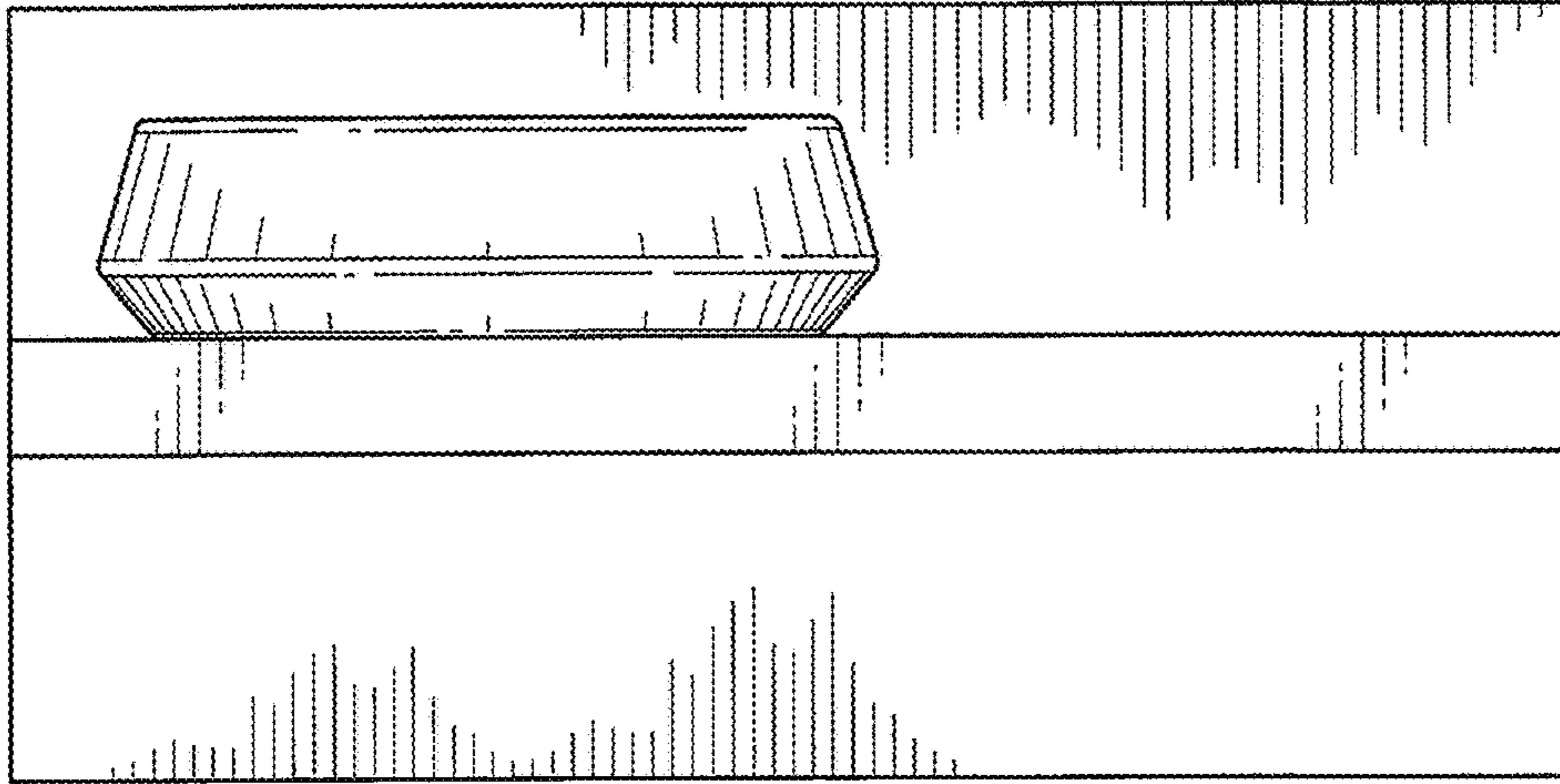


FIG. 16

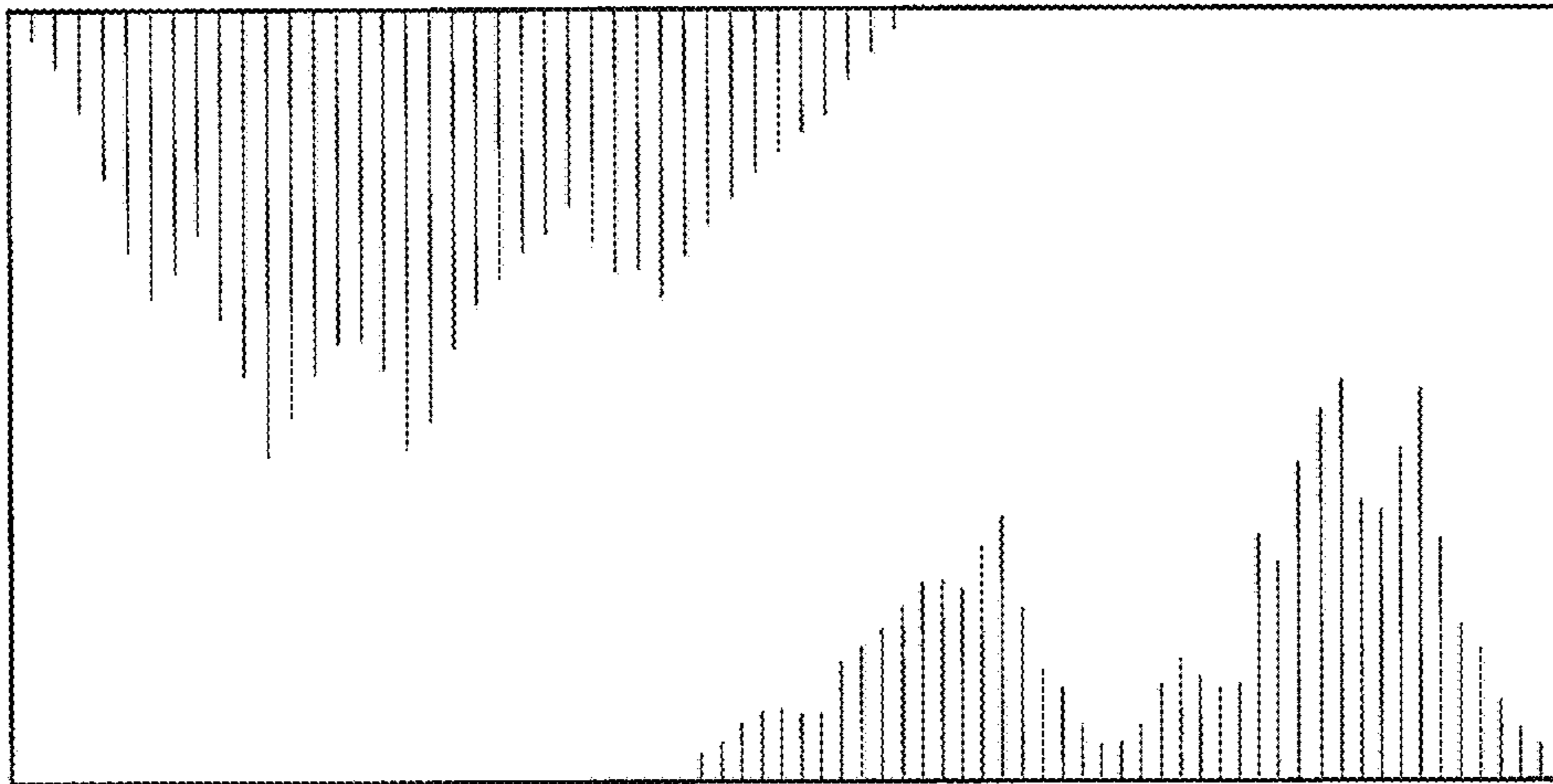


FIG. 17

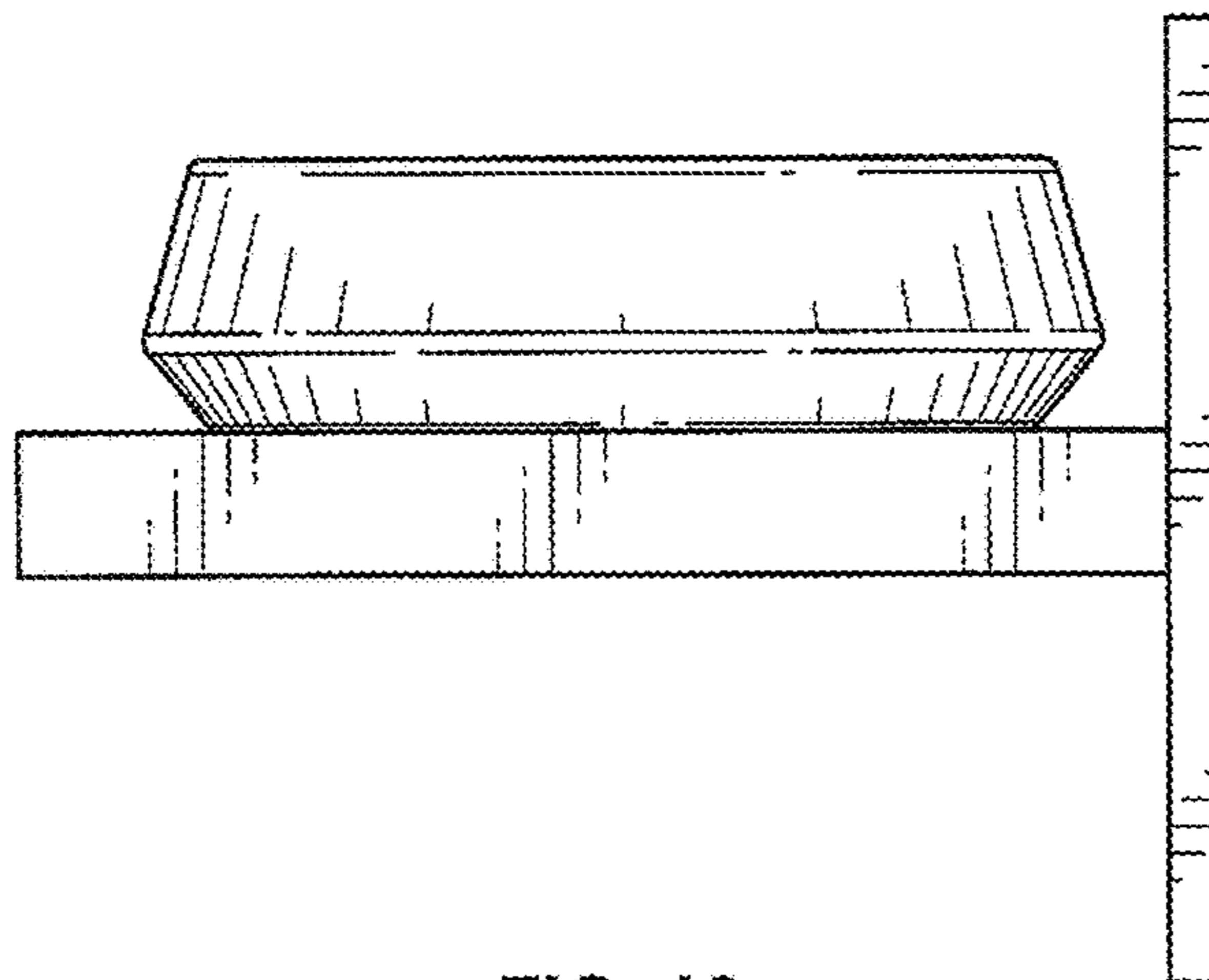


FIG. 18