



US00D797904S

(12) **United States Design Patent**
Smith et al.

(10) **Patent No.:** **US D797,904 S**
(45) **Date of Patent:** **** Sep. 19, 2017**

(54) **FENESTRATED TIP FOR A SPIKE TAP OF AN IRRIGATION FITTING**

(71) Applicants: **Duane K. Smith**, St. Charles, MO (US); **Thomas A. King**, Ballwin, MO (US); **Scott L. Blankley**, Wildwood, MO (US)

(72) Inventors: **Duane K. Smith**, St. Charles, MO (US); **Thomas A. King**, Ballwin, MO (US); **Scott L. Blankley**, Wildwood, MO (US)

(**) Term: **15 Years**

(21) Appl. No.: **29/592,931**

(22) Filed: **Feb. 3, 2017**

Related U.S. Application Data

(62) Division of application No. 29/509,921, filed on Nov. 21, 2014, now Pat. No. Des. 778,410.

(51) **LOC (10) Cl.** **23-01**

(52) **U.S. Cl.**
USPC **D23/259**

(58) **Field of Classification Search**
USPC D23/213–214, 217, 233, 249, 259, 260, D23/262; D8/1, 391–393; D24/152, 176, D24/180, 184, 130, 137; D28/65; 285/5, 285/6, 197; 137/318
CPC F16L 37/42; F16B 15/00; F16B 15/02; F16B 15/08; B05B 1/00; B05B 1/04; B05B 1/308; B05B 9/01
See application file for complete search history.

(56) **References Cited**

U.S. PATENT DOCUMENTS

D272,850 S * 2/1984 Kulle D24/112
4,787,557 A * 11/1988 Jackson B05B 15/062
239/200

6,484,440 B2 * 11/2002 Brown A01G 7/06
47/57.5
D536,925 S * 2/2007 Macler D7/387
7,219,684 B2 * 5/2007 Dabir A01G 25/023
137/318
D624,810 S * 10/2010 Vosbikian D8/391
D638,914 S * 5/2011 Schmuckle D23/233
D653,335 S * 1/2012 Kampa D24/130
D653,337 S * 1/2012 Kampa D24/130
D654,988 S * 2/2012 Bloink E04H 4/1654
D23/259
D665,481 S * 8/2012 Bloink D23/259
(Continued)

Primary Examiner — Eric Goodman
Assistant Examiner — Amy Wierenga
(74) *Attorney, Agent, or Firm* — Harness, Dickey & Pierce, P.L.C.

(57) **CLAIM**

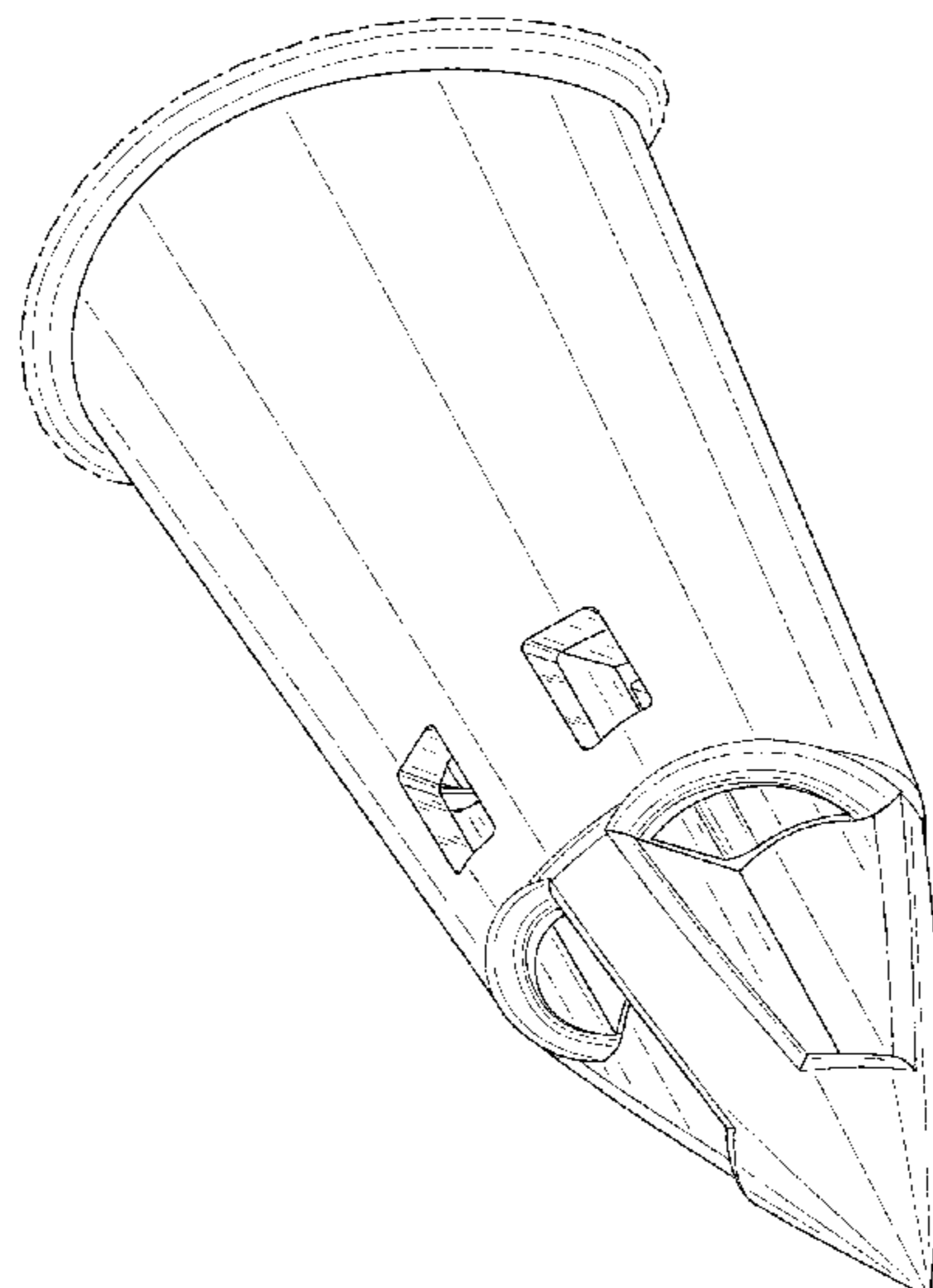
The ornamental design for a fenestrated tip for a spike tap of an irrigation fitting, as shown and described.

DESCRIPTION

FIG. 1 is a perspective view of a fenestrated tip for a spike tap of an irrigation fitting in accordance with our new design;
FIG. 2 is a front elevation view thereof;
FIG. 3 is a rear elevation view thereof;
FIG. 4 is a left side view thereof;
FIG. 5 is a right side view thereof;
FIG. 6 is a top plan view thereof;
FIG. 7 is a bottom plan view thereof; and,
FIG. 8 is a perspective view thereof shown in a position of use.

The unevenly dashed lines in the drawings are for purposes of illustrating claim boundary that forms no part of the claimed design. The evenly dashed lines in the drawings depict environmental subject matter that forms no part of the claimed design.

1 Claim, 7 Drawing Sheets



(56)

References Cited

U.S. PATENT DOCUMENTS

D737,952 S	*	9/2015	Matsumura	D24/108
D745,699 S	*	12/2015	Clarke	D25/38.1
D759,816 S	*	6/2016	Ingram	D24/137
D778,410 S	*	2/2017	Smith	D23/259
D783,132 S	*	4/2017	Smith	D23/259

* cited by examiner

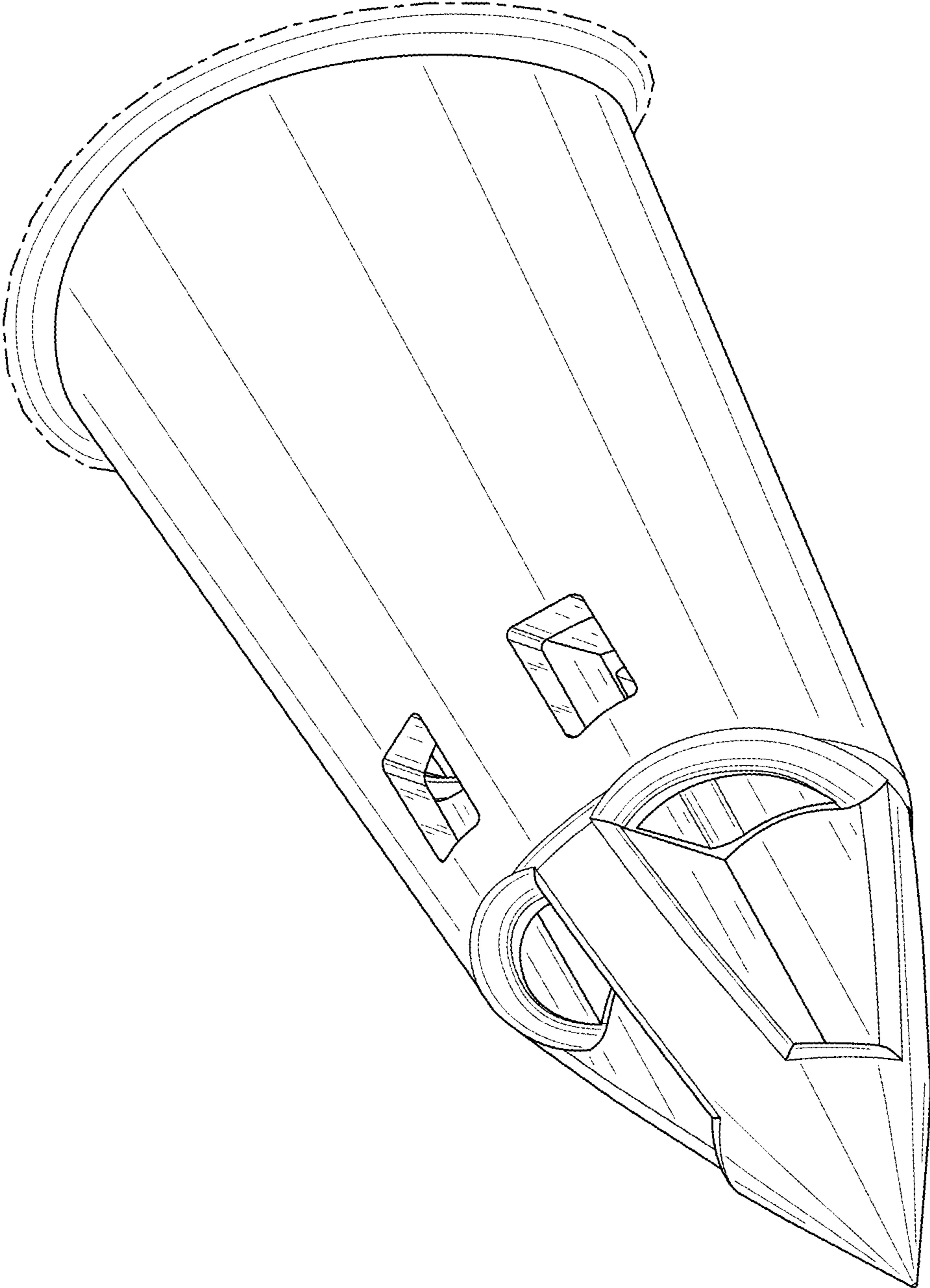


FIG. 1

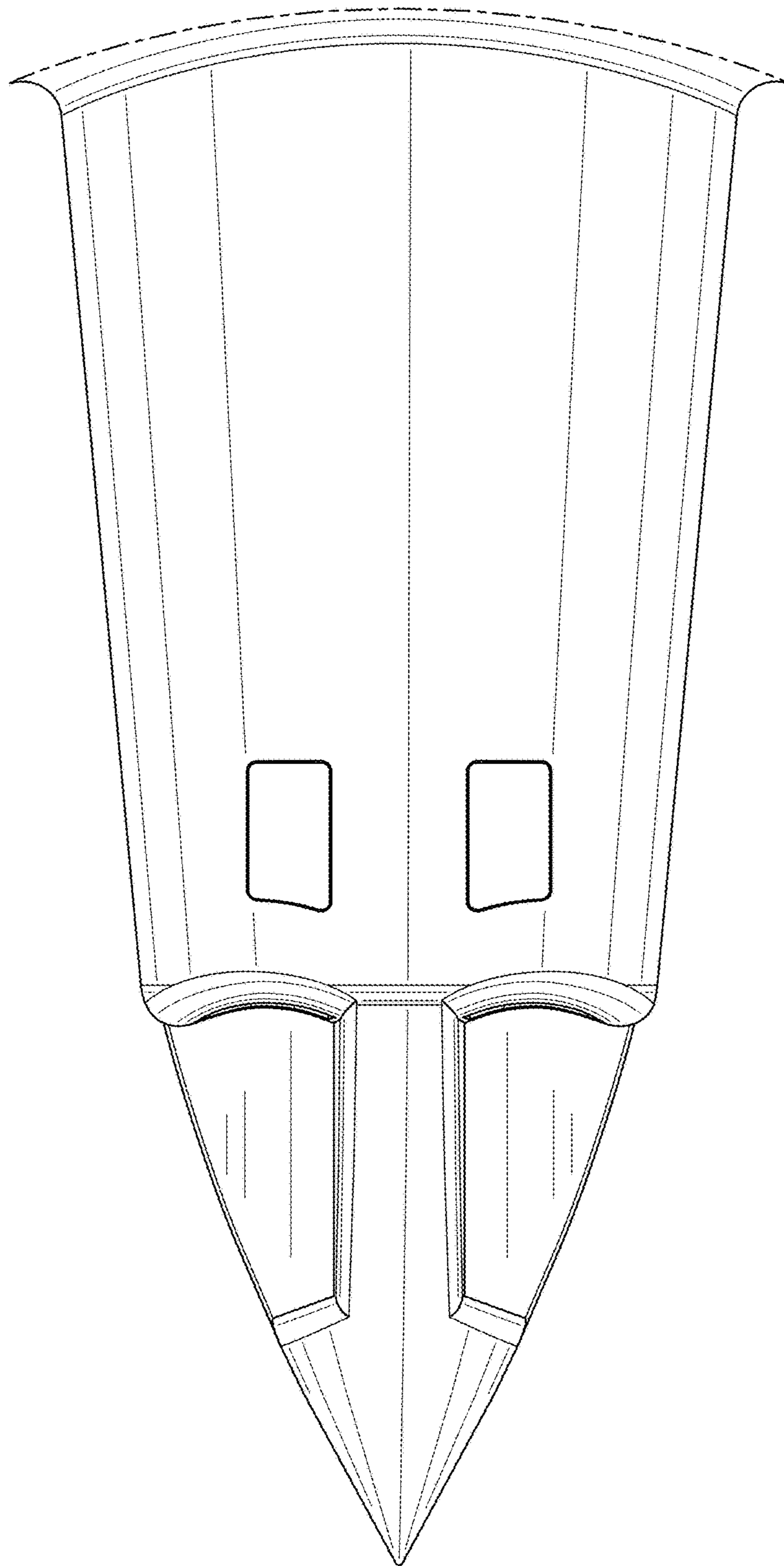


FIG. 2

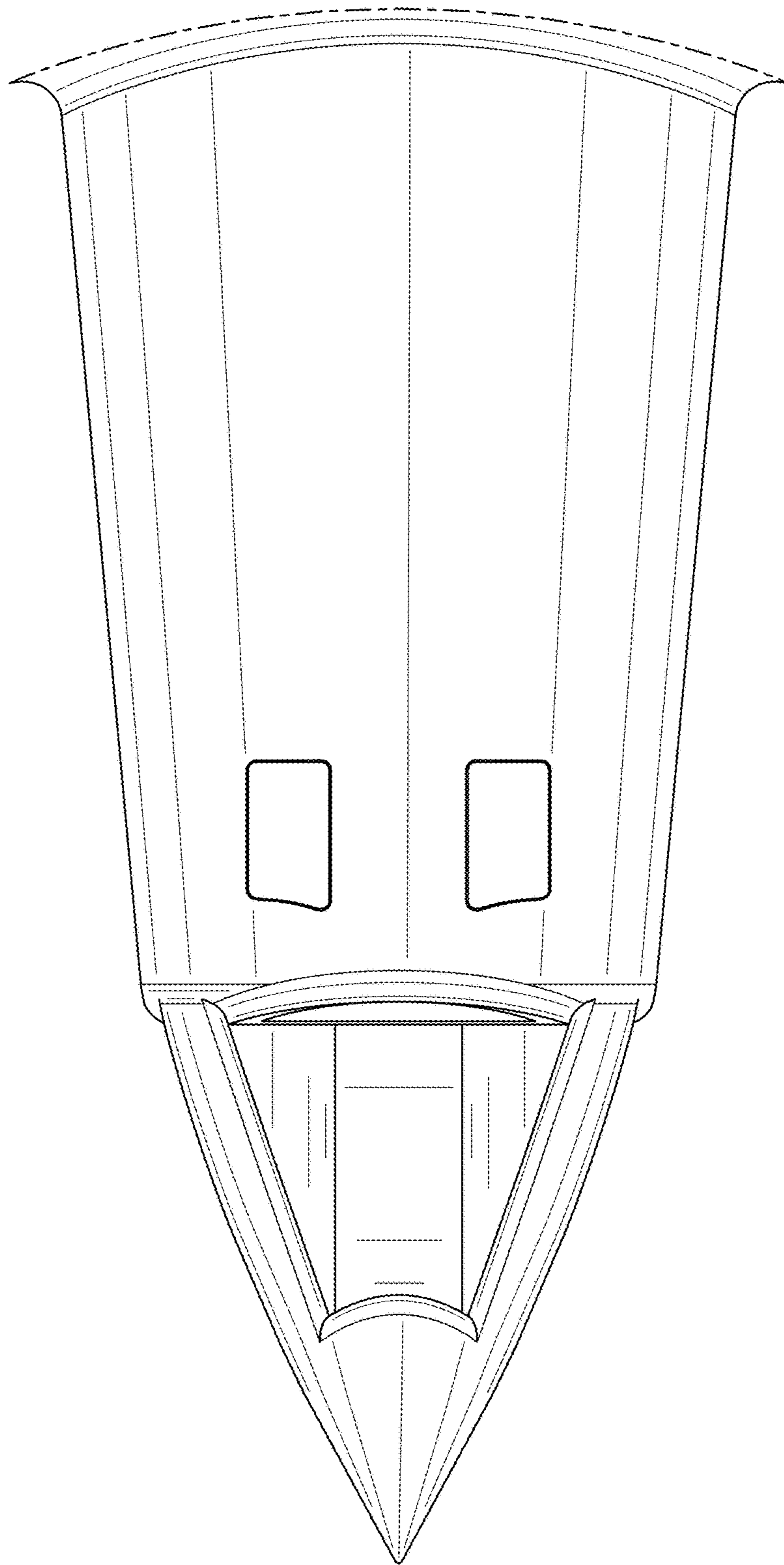


FIG. 3

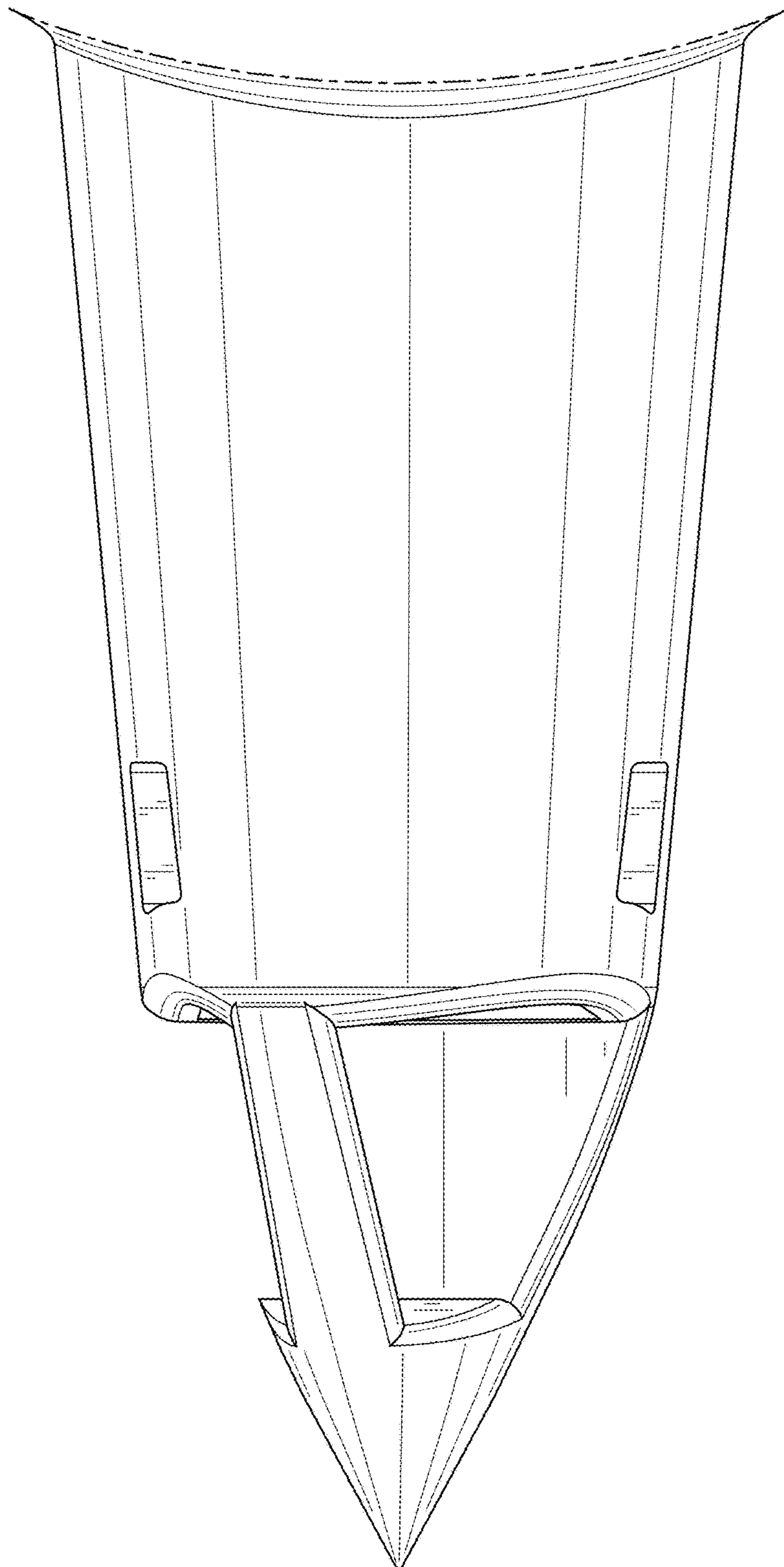


FIG. 4

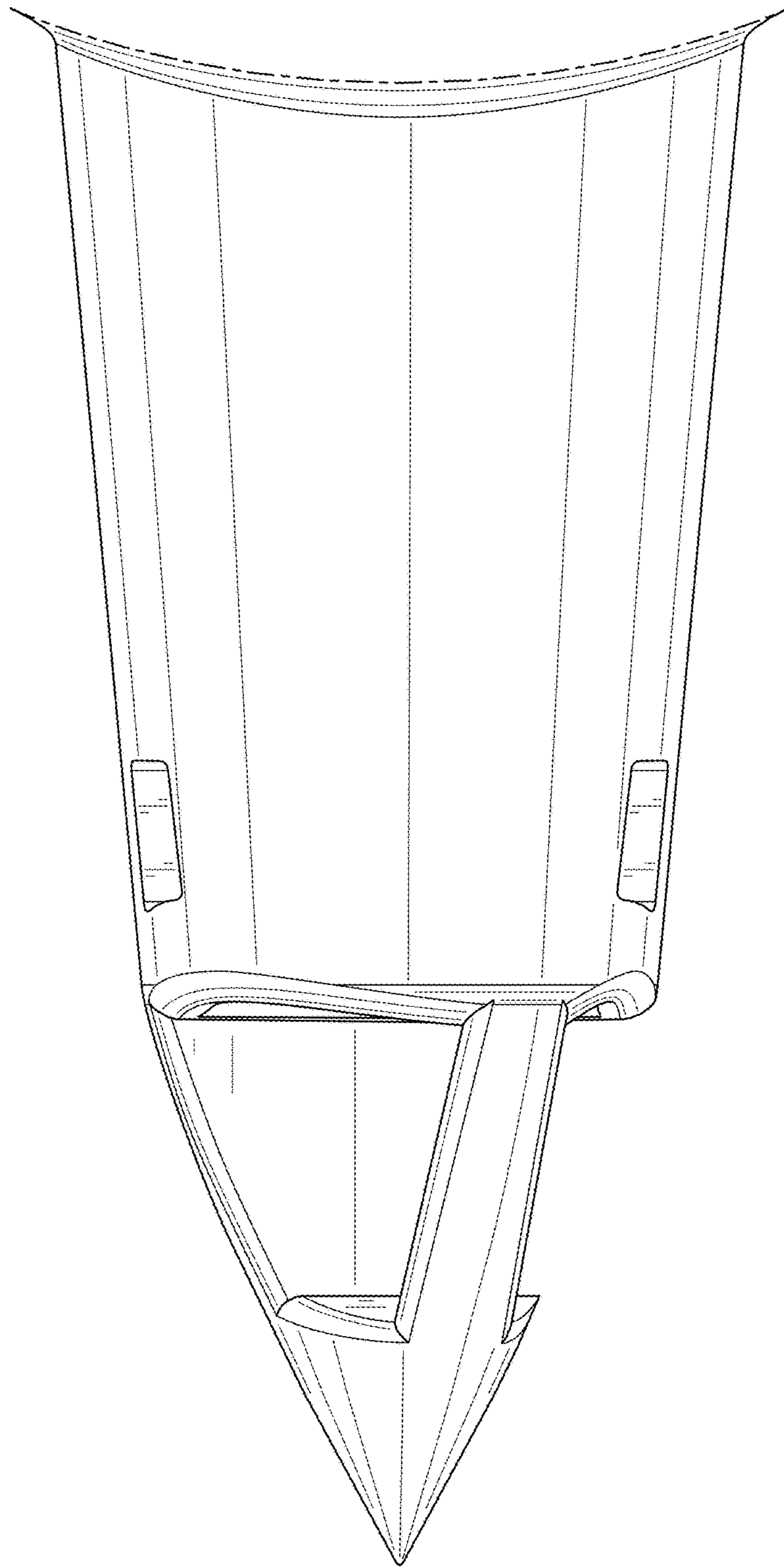


FIG. 5

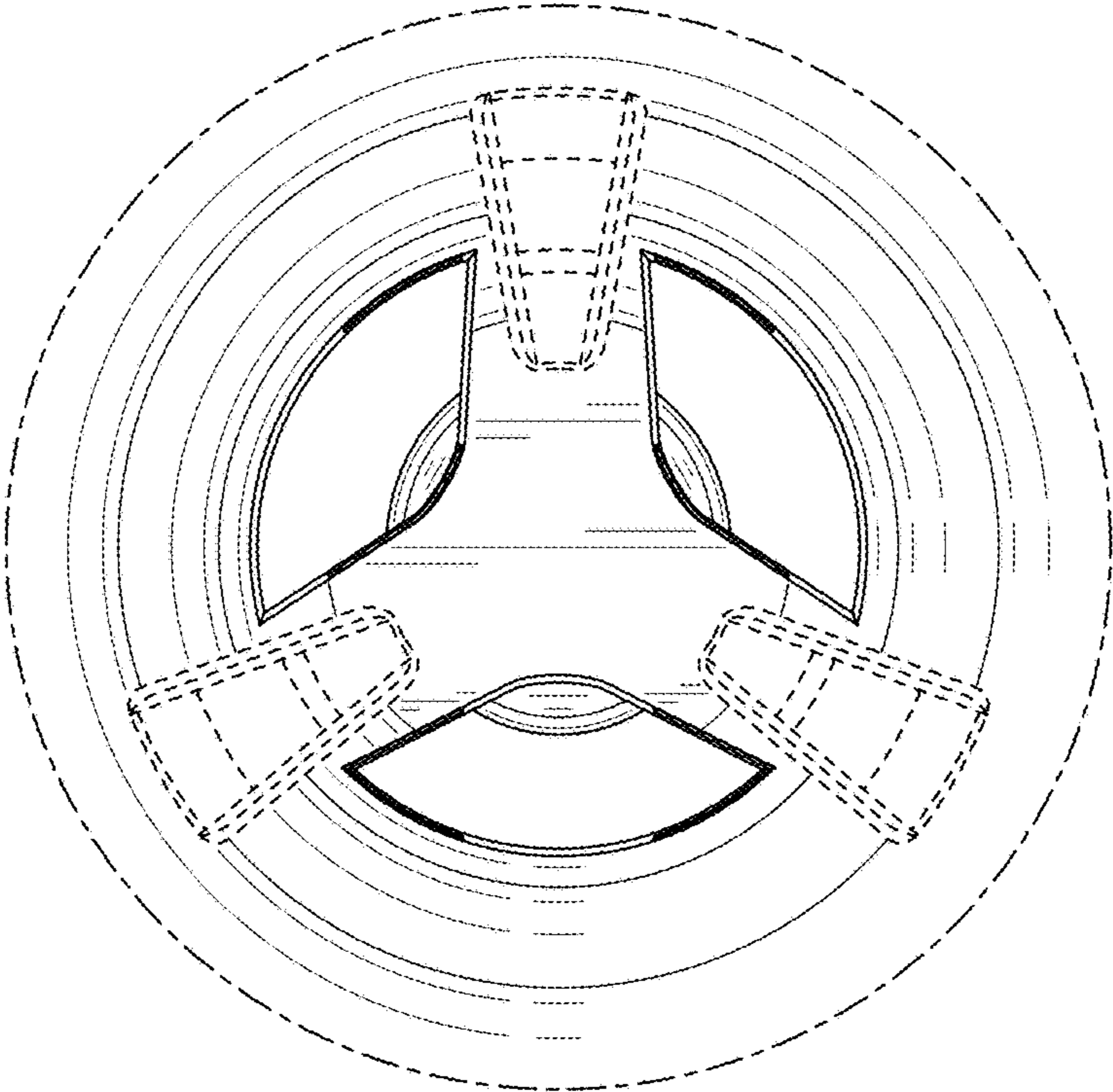


FIG. 6

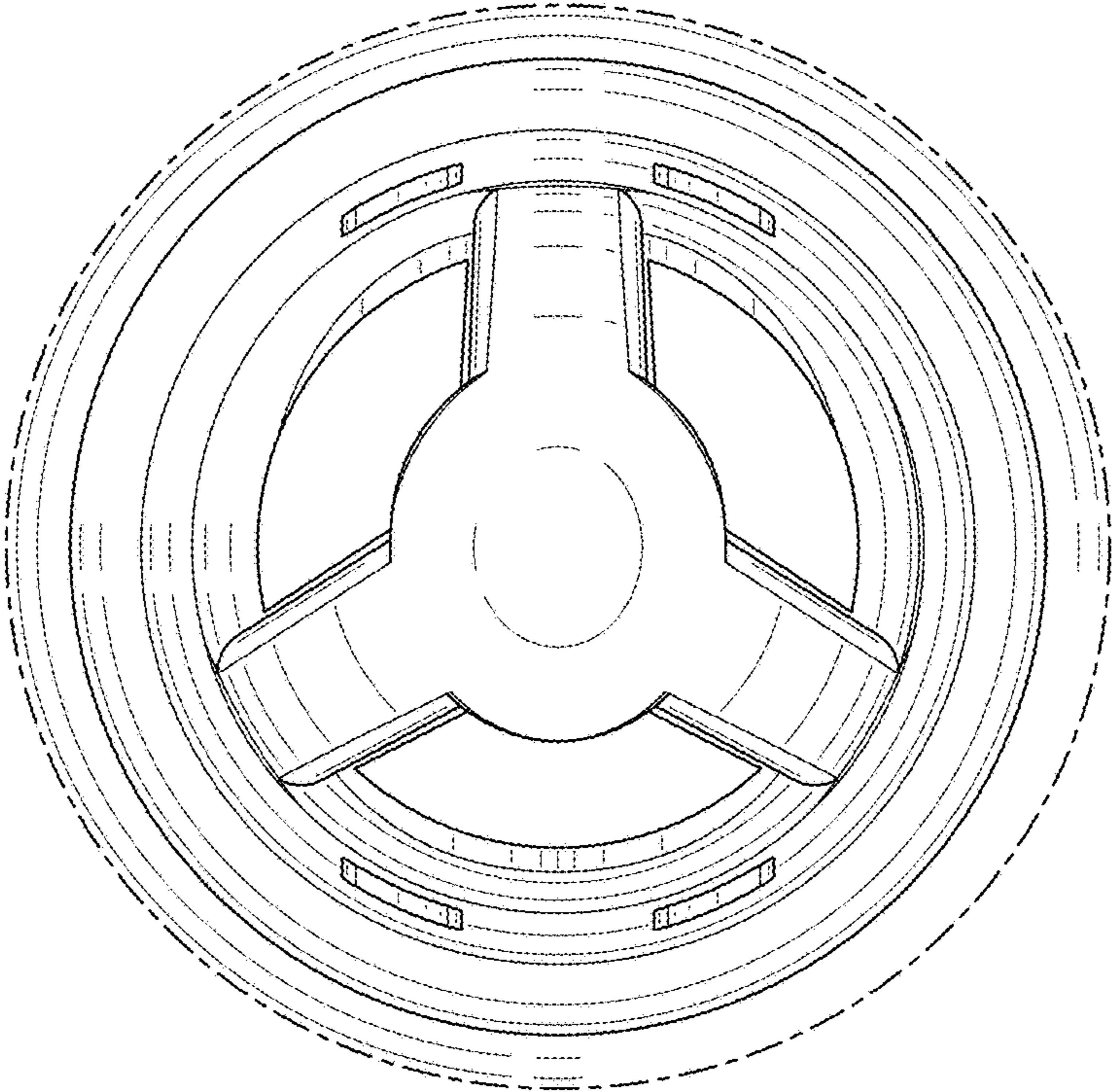


FIG. 7

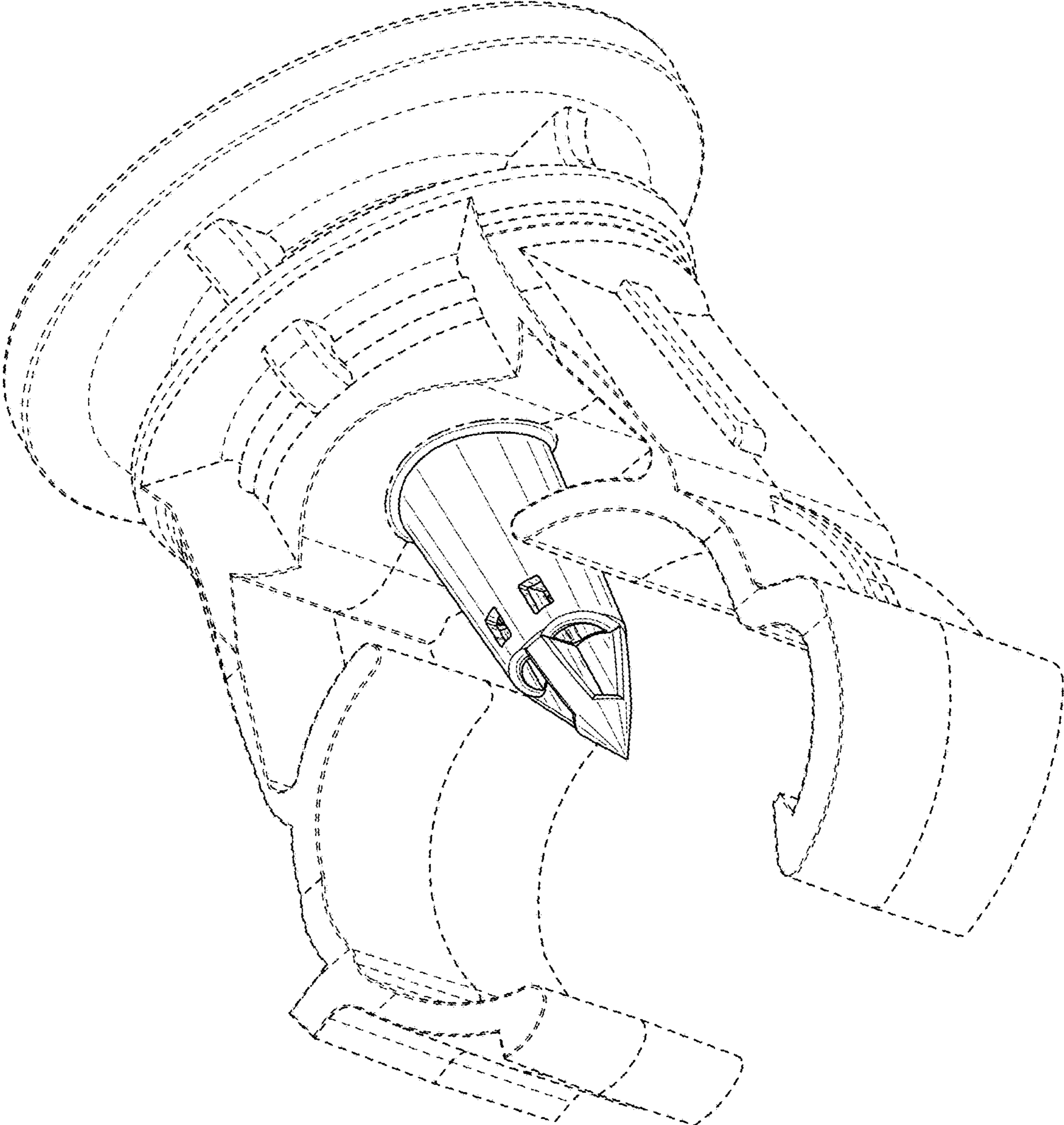


FIG. 8