



US00D797903S

(12) **United States Design Patent**
Zhang et al.

(10) **Patent No.:** **US D797,903 S**

(45) **Date of Patent:** **** Sep. 19, 2017**

(54) **FAUCET**

(71) Applicant: **Spectrum Brands, Inc.**, Middleton, WI (US)

(72) Inventors: **Tony Zhang**, Xiamen (CN); **David Downey**, Mission Viejo, CA (US)

(73) Assignee: **Spectrum Brands, Inc.**, Middleton, WI (US)

(**) Term: **15 Years**

(21) Appl. No.: **29/559,845**

(22) Filed: **Mar. 31, 2016**

(51) **LOC (10) Cl.** **23-01**

(52) **U.S. Cl.**
USPC **D23/257**

(58) **Field of Classification Search**
USPC D23/238-243, 249, 255, 257
CPC E03C 1/0404; E03C 1/0409; E03C 1/02;
E03C 1/023; E03C 1/05; G05D 7/0629;
Y10T 137/9464
See application file for complete search history.

(56) **References Cited**

U.S. PATENT DOCUMENTS

D466,983 S * 12/2002 Otero D23/241
D479,312 S * 9/2003 Yegyayan D23/238

D520,602 S * 5/2006 Koury D23/241
D655,791 S * 3/2012 Kwok D23/257
D717,917 S * 11/2014 Rexach D23/249

* cited by examiner

Primary Examiner — Robert Delehanty

(74) *Attorney, Agent, or Firm* — Banner & Witcoff, Ltd.

(57) **CLAIM**

The ornamental design for a faucet, as shown and described.

DESCRIPTION

FIG. 1 is a front perspective view of a faucet showing our new design;

FIG. 2 is a front view thereof;

FIG. 3 is a rear view thereof;

FIG. 4 is a right side view thereof;

FIG. 5 is a left side view thereof;

FIG. 6 is a top view thereof;

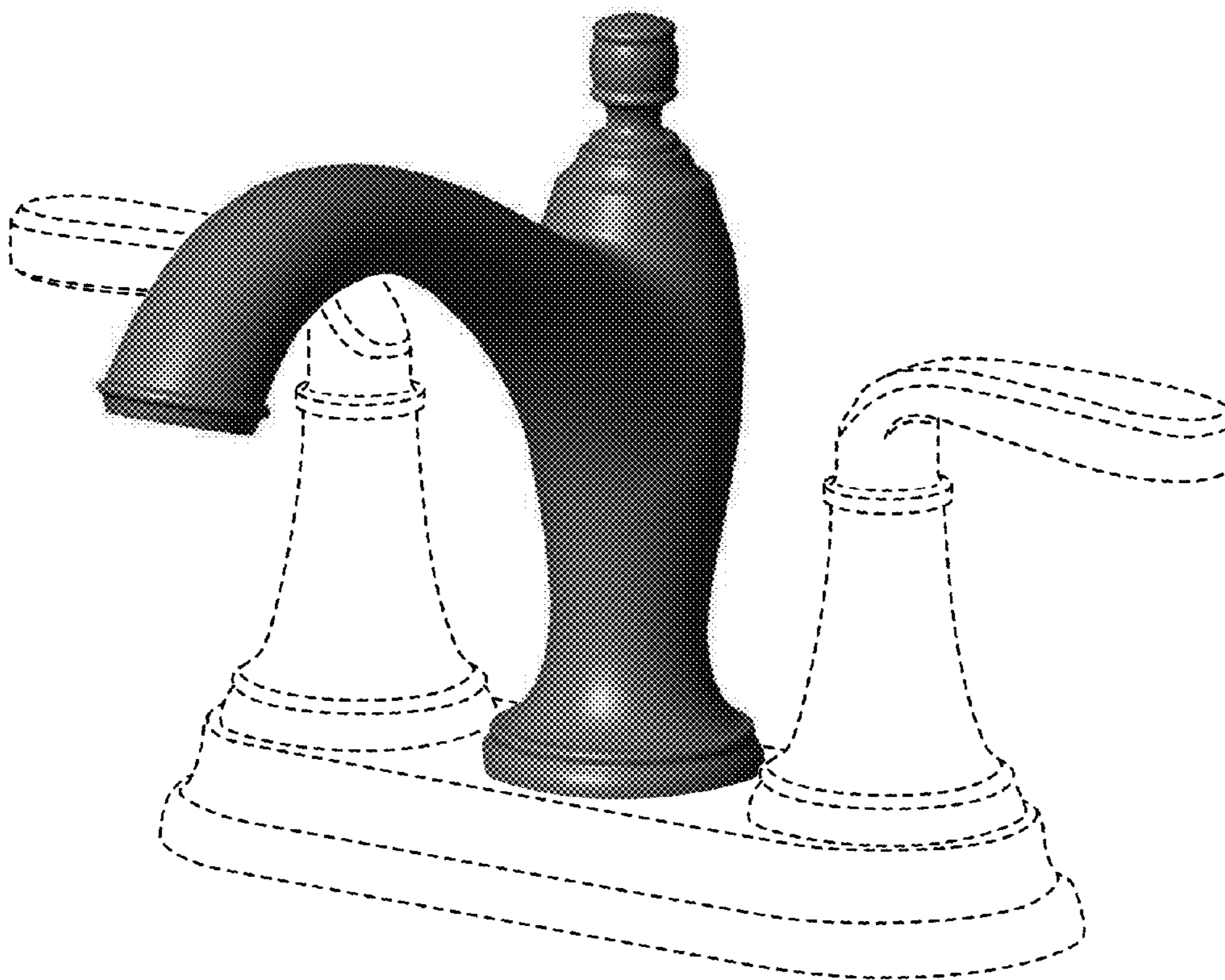
FIG. 7 is a bottom view thereof;

FIG. 8 is a cross-sectional view taken through line 8-8 of FIG. 2; and,

FIG. 9 is a cross-sectional view taken through line 9-9 of FIG. 3.

The broken line showing of the interior of the spout opening in FIGS. 2 and 7 and the remainder of the faucet in FIGS. 1-9 represents unclaimed areas and forms no part of the claimed design.

1 Claim, 9 Drawing Sheets



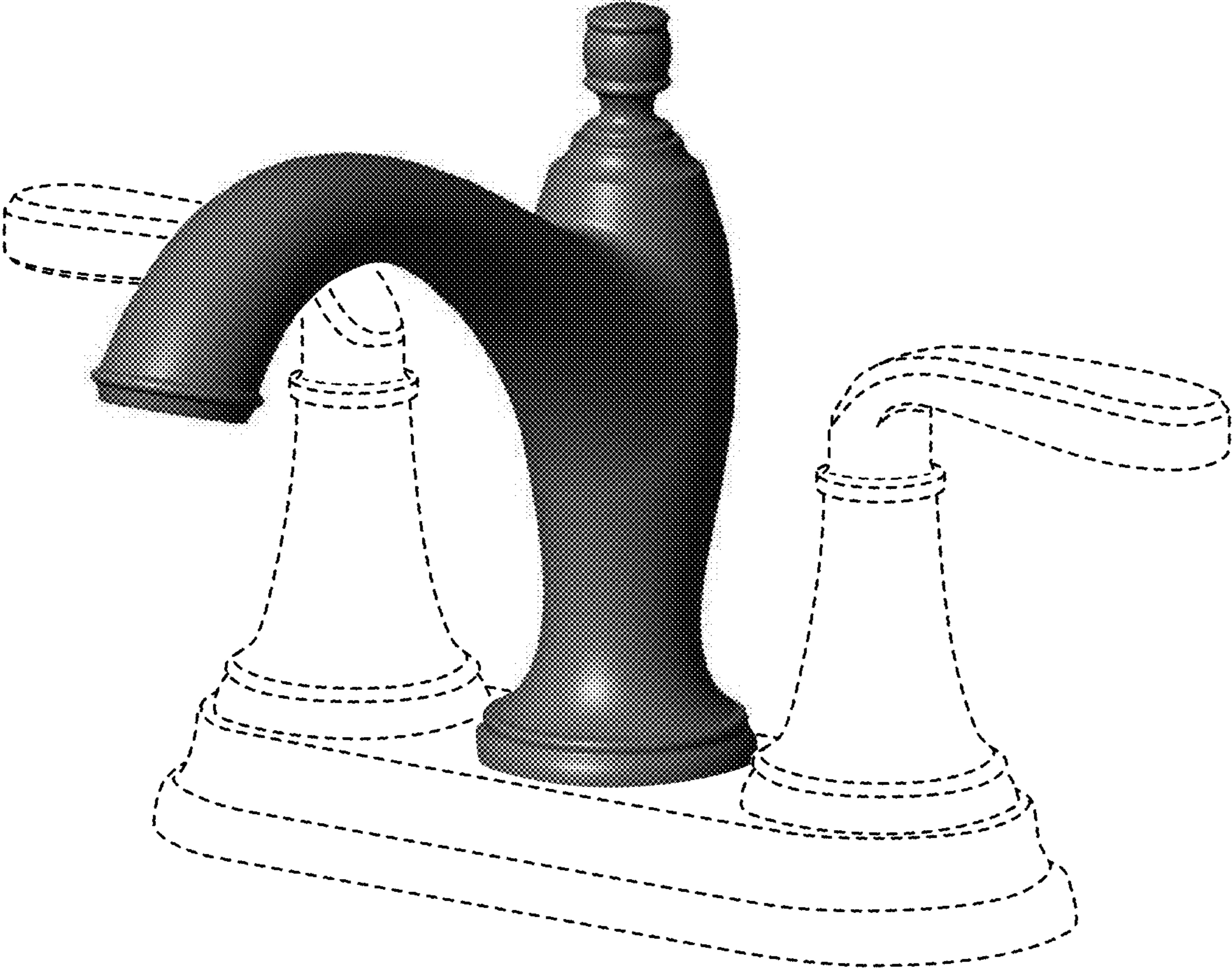


FIG. 1

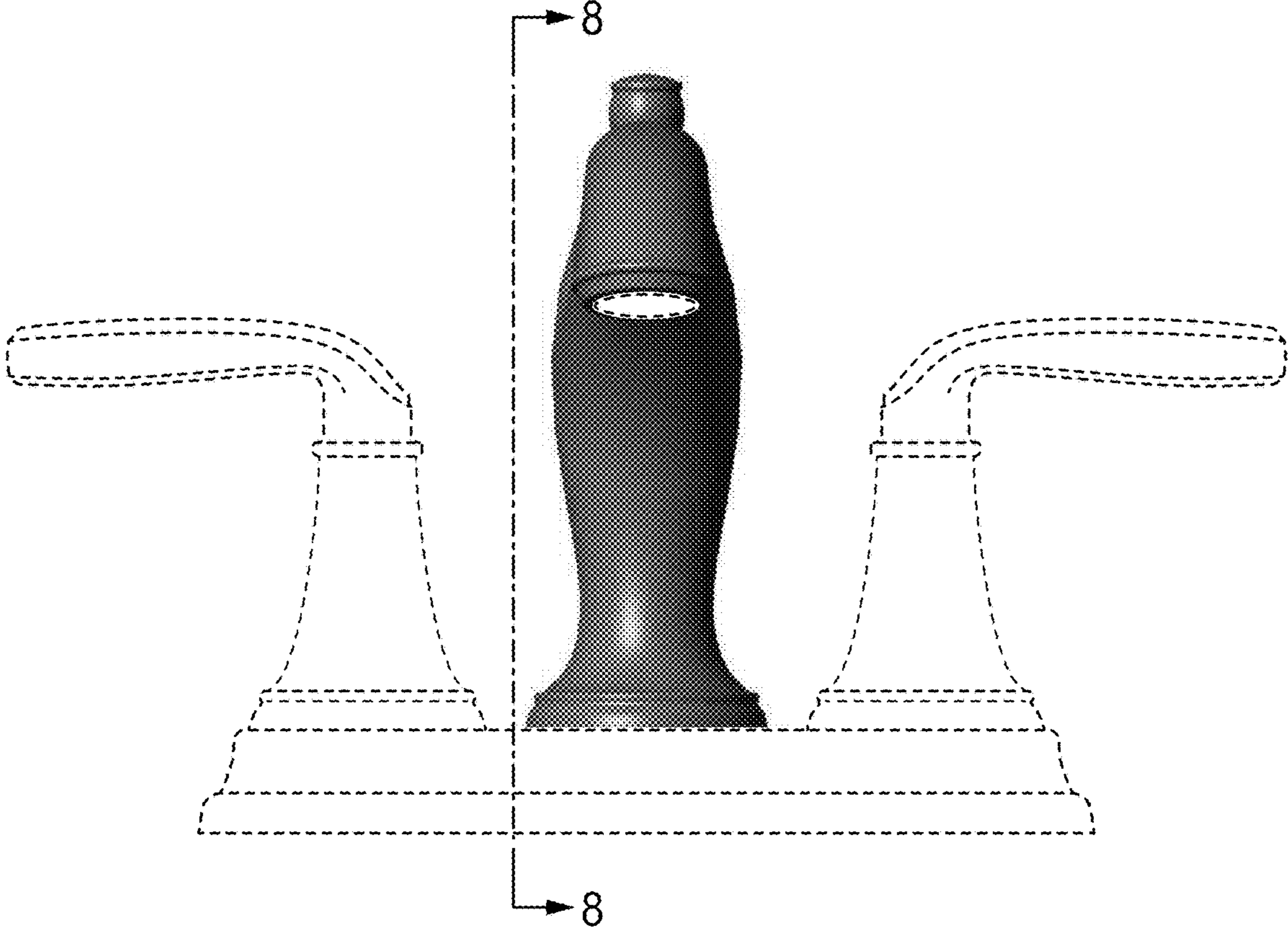


FIG. 2

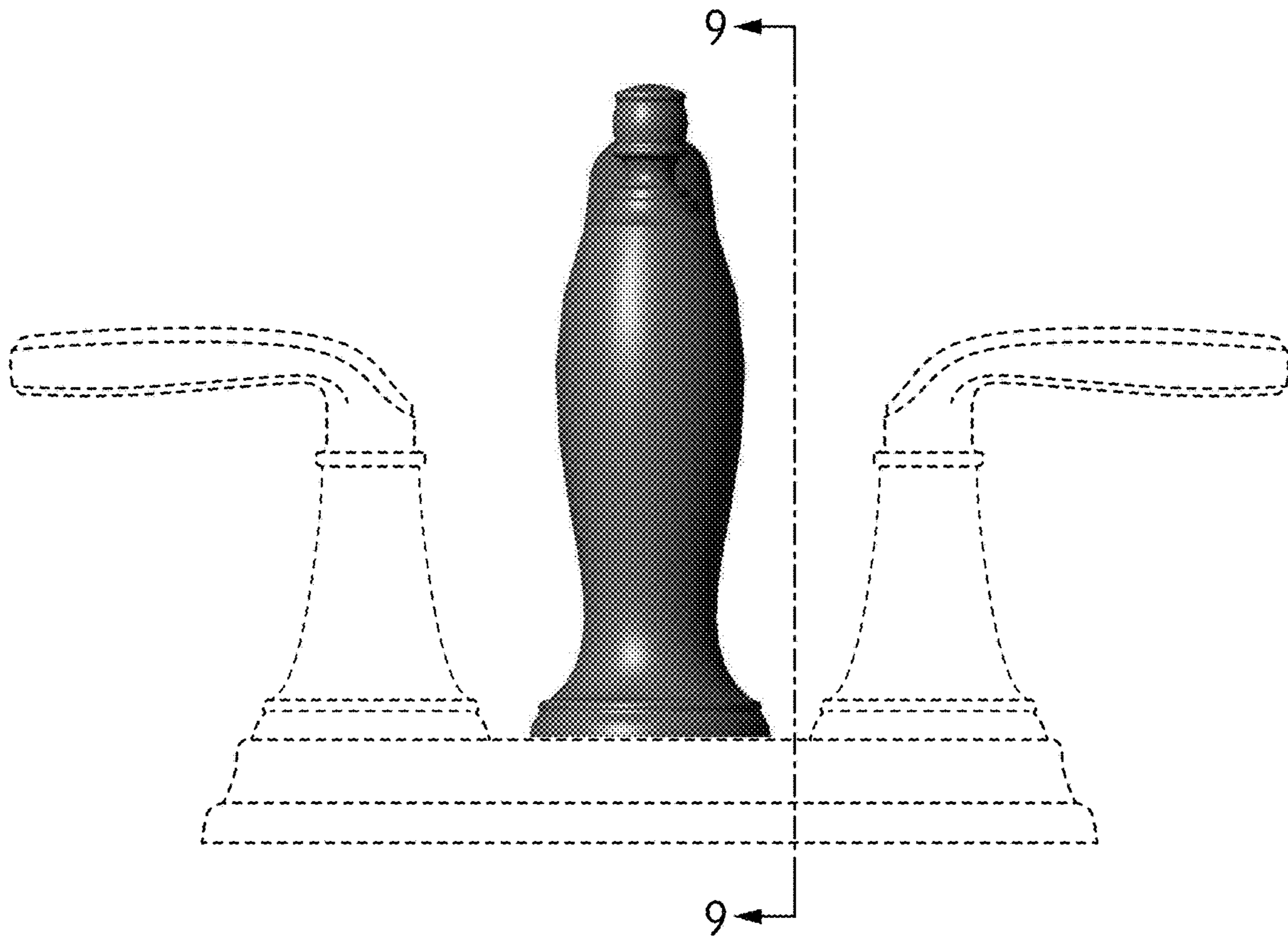


FIG. 3

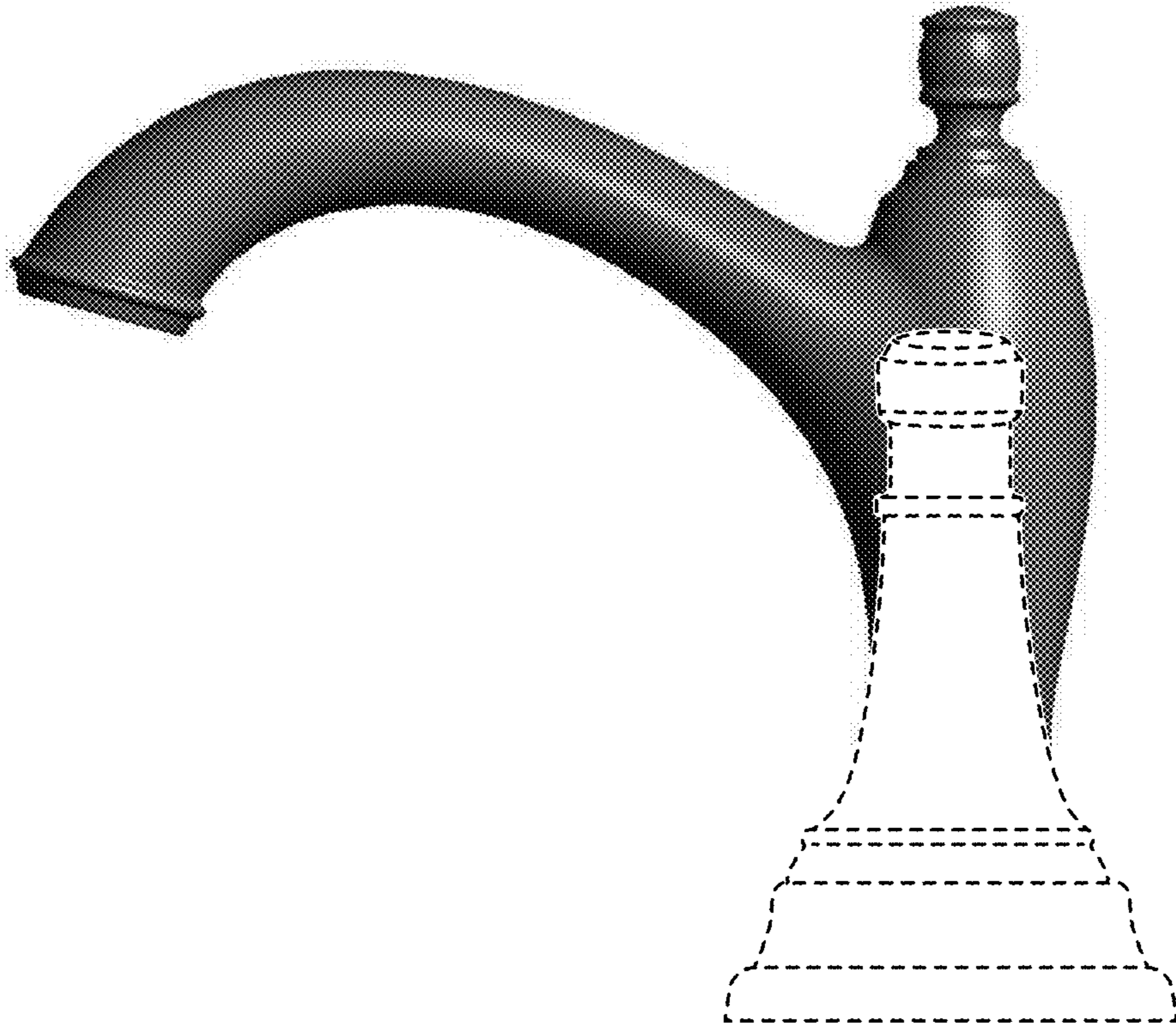


FIG. 4

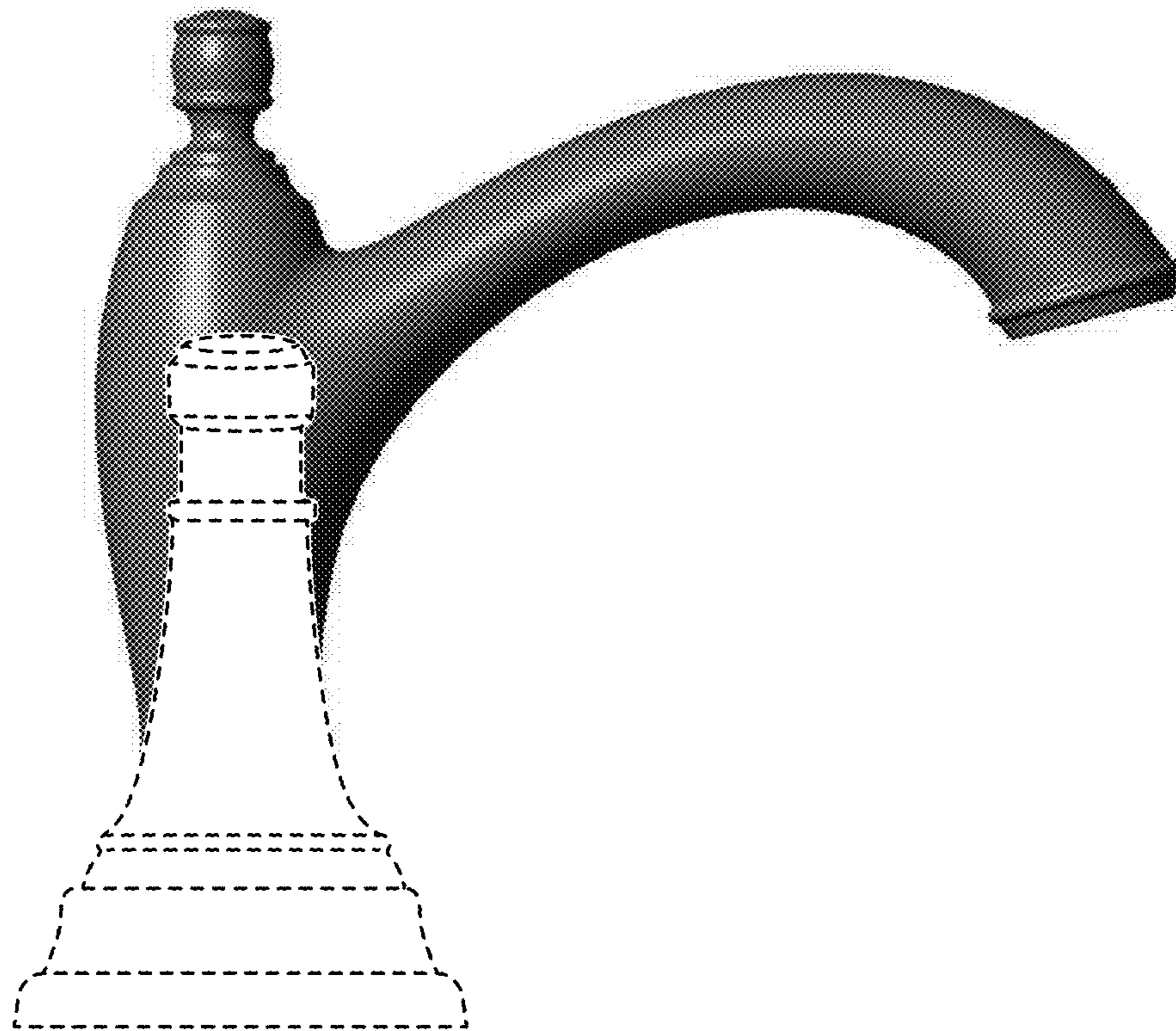


FIG. 5

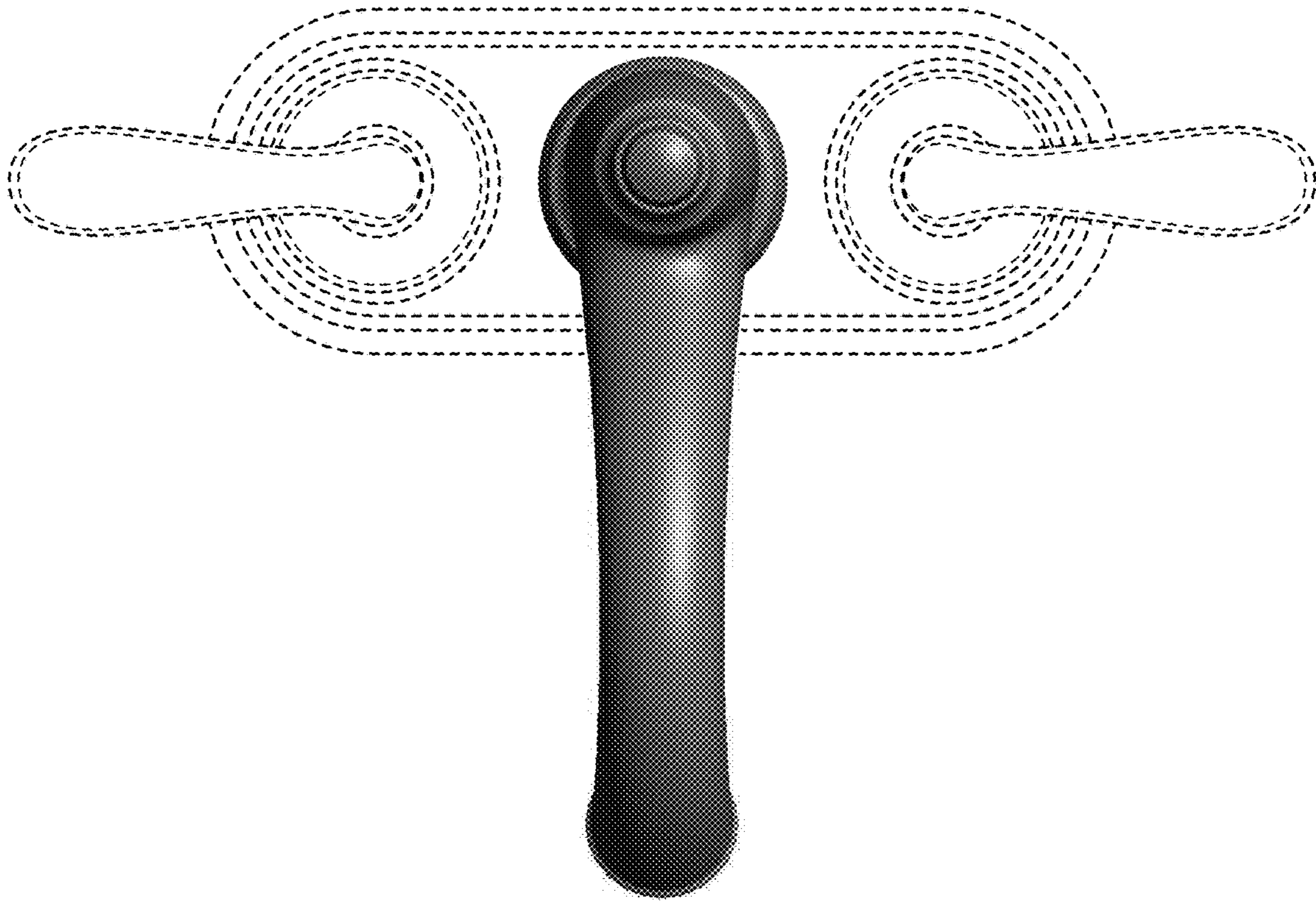


FIG. 6

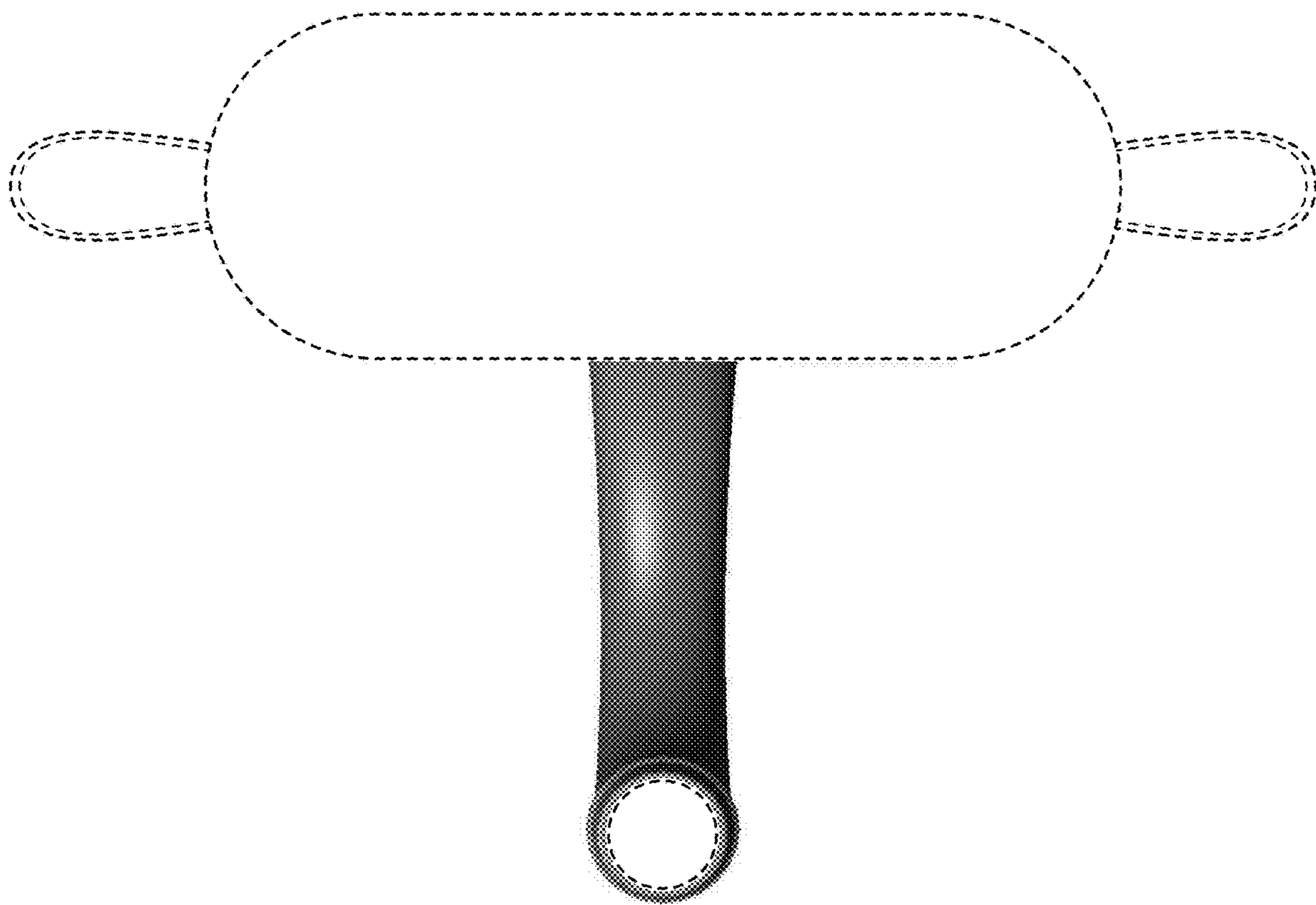


FIG. 7



FIG. 8



FIG. 9