



US00D797902S

(12) **United States Design Patent** (10) **Patent No.:** **US D797,902 S**
Georgeson (45) **Date of Patent:** **** Sep. 19, 2017**

(54) **FAUCET**

(71) Applicant: **Kohler Co.**, Kohler, WI (US)

(72) Inventor: **Paul B. Georgeson**, Milwaukee, WI (US)

(73) Assignee: **KOHLER CO.**, Kohler, WI (US)

(**) Term: **15 Years**

(21) Appl. No.: **29/594,028**

(22) Filed: **Feb. 15, 2017**

Related U.S. Application Data

(62) Division of application No. 29/542,171, filed on Oct. 12, 2015, now Pat. No. Des. 787,641.

(51) **LOC (10) Cl.** **23-01**

(52) **U.S. Cl.**
USPC **D23/255**

(58) **Field of Classification Search**
USPC D23/238, 249–250, 252, 254, 213, 223, D23/226, 229; D8/307–308, 310
CPC . E03C 1/00; E03C 1/0404; E03C 1/02; E03C 1/021; E03C 2001/0411; E03C 2001/0415; E03C 2001/0417; Y10T 137/9464; B05B 15/065; A47L 17/00
See application file for complete search history.

(56) **References Cited**

U.S. PATENT DOCUMENTS

D580,023	S	11/2008	Gilbert
8,256,463	B2	9/2012	Farag
D703,789	S	4/2014	Mazz et al.
D723,661	S	3/2015	Zhang
9,057,184	B2	6/2015	Meehan
D746,413	S	12/2015	Hanna
9,249,898	B2	2/2016	Bares

Primary Examiner — Robert Delehanty

(74) *Attorney, Agent, or Firm* — Foley & Lardner LLP

(57) **CLAIM**

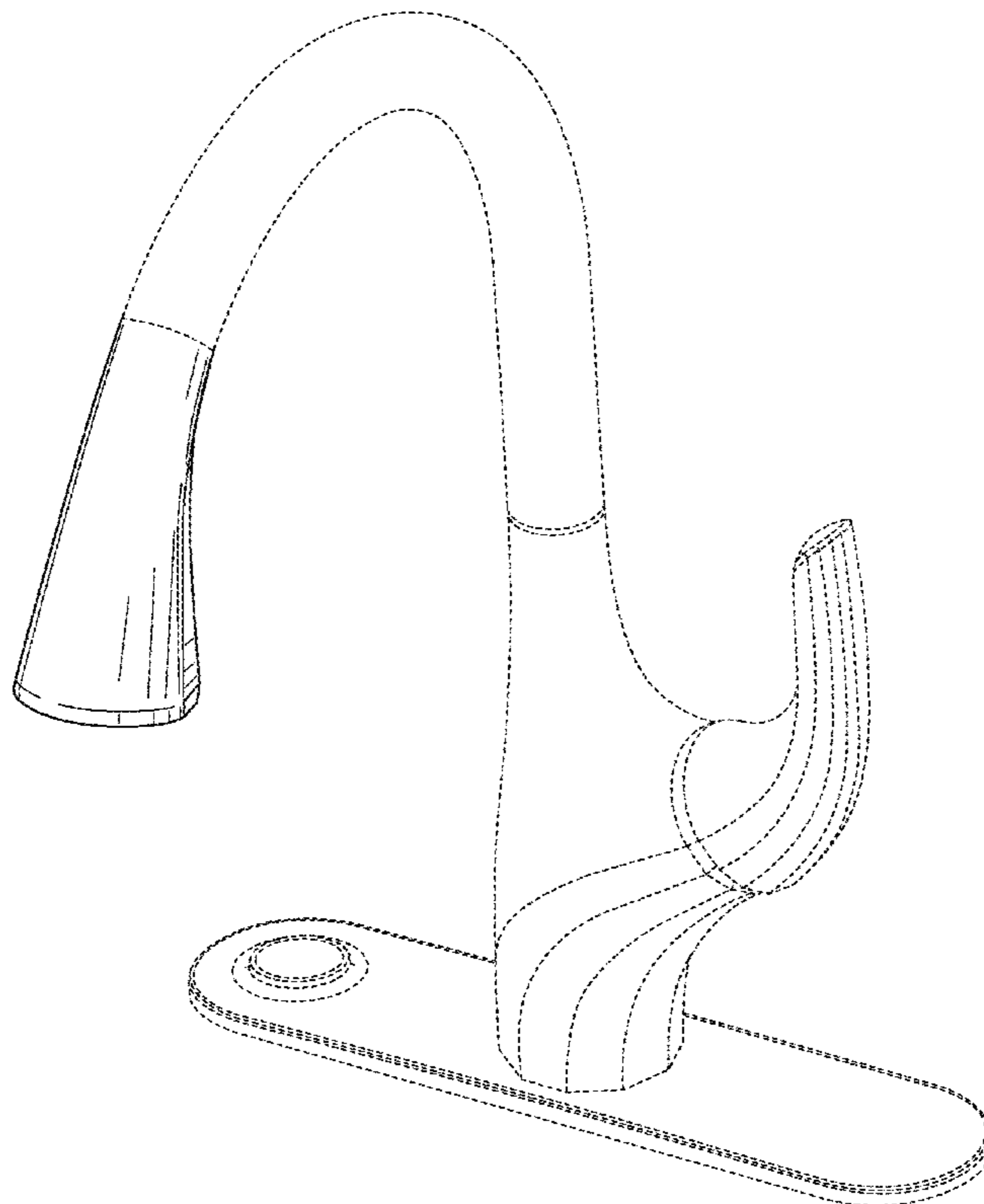
I claim the ornamental design for a faucet, as shown and described.

DESCRIPTION

FIG. 1 is a top, front, right perspective view of an embodiment of the claimed design;
 FIG. 2 is a front elevation view thereof;
 FIG. 3 is a rear elevation view thereof;
 FIG. 4 is a right side elevation view thereof;
 FIG. 5 is a left side elevation view thereof;
 FIG. 6 is a top plan view thereof; and,
 FIG. 7 is a bottom plan view thereof.

The ornamental design which is claimed is shown in solid lines in the drawings. The broken lines in the drawings are for illustrative purposes only and form no part of the claimed design. Broken lines formed by equal length dashes show unclaimed subject matter.

1 Claim, 7 Drawing Sheets



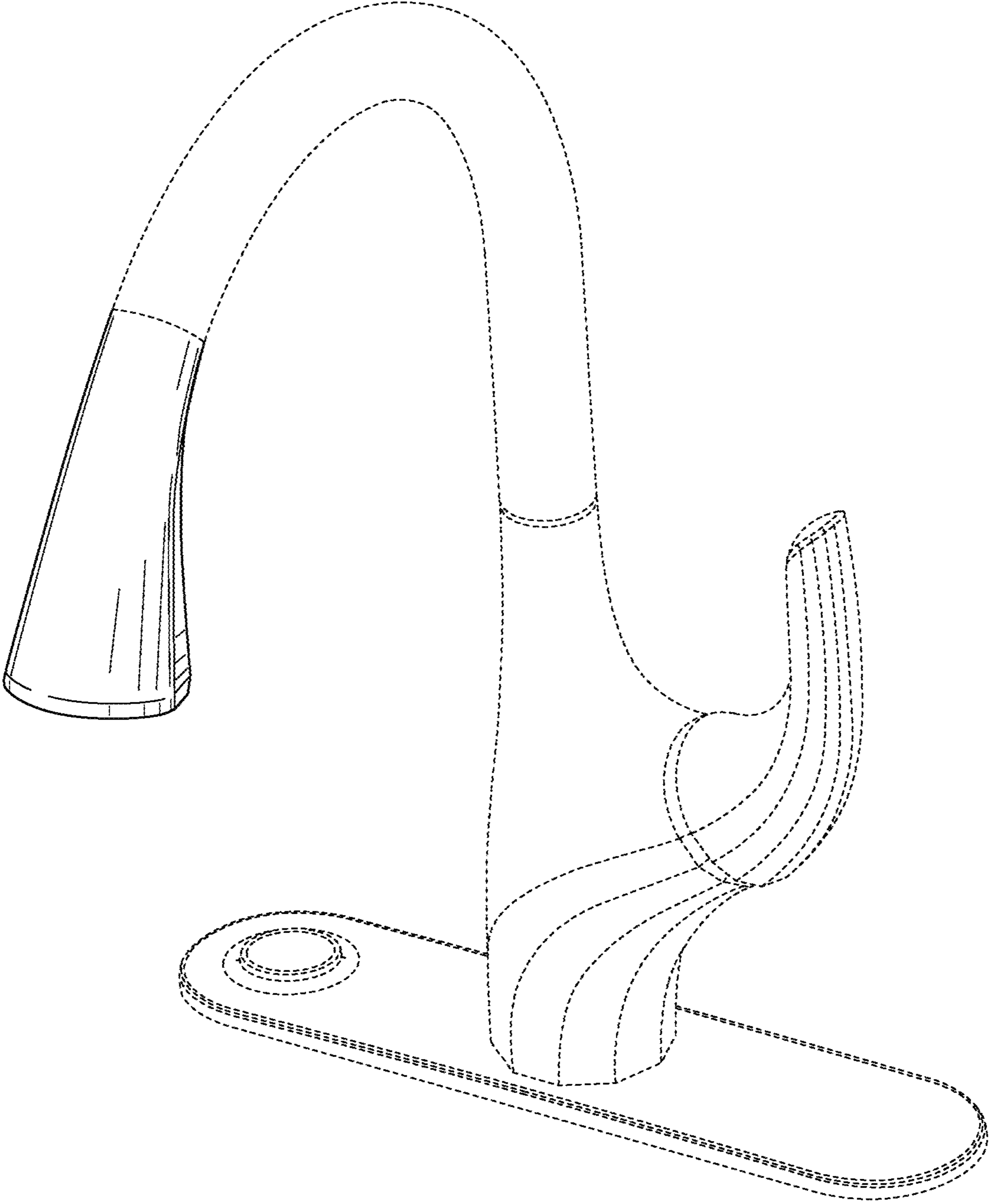


FIG. 1

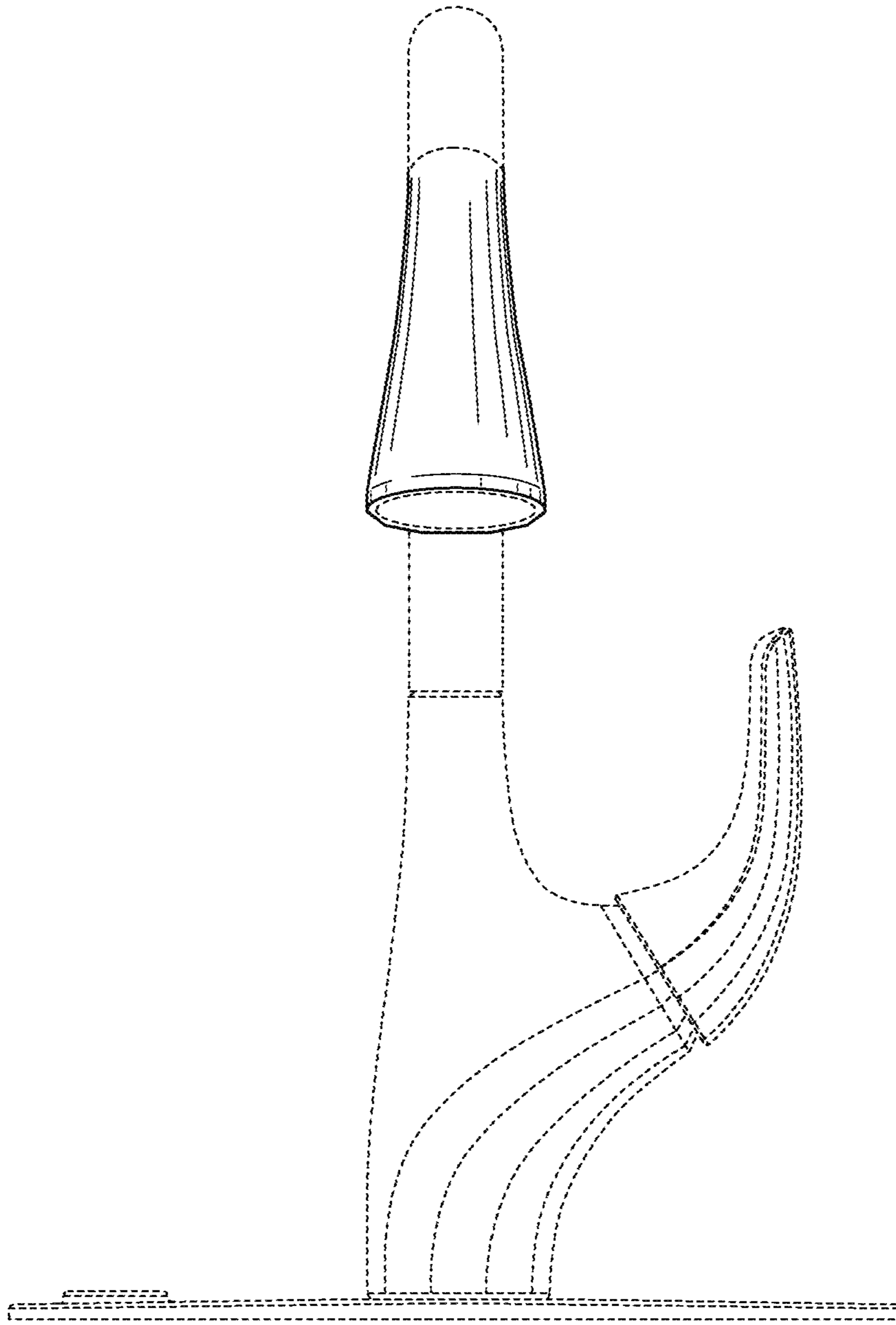


FIG. 2

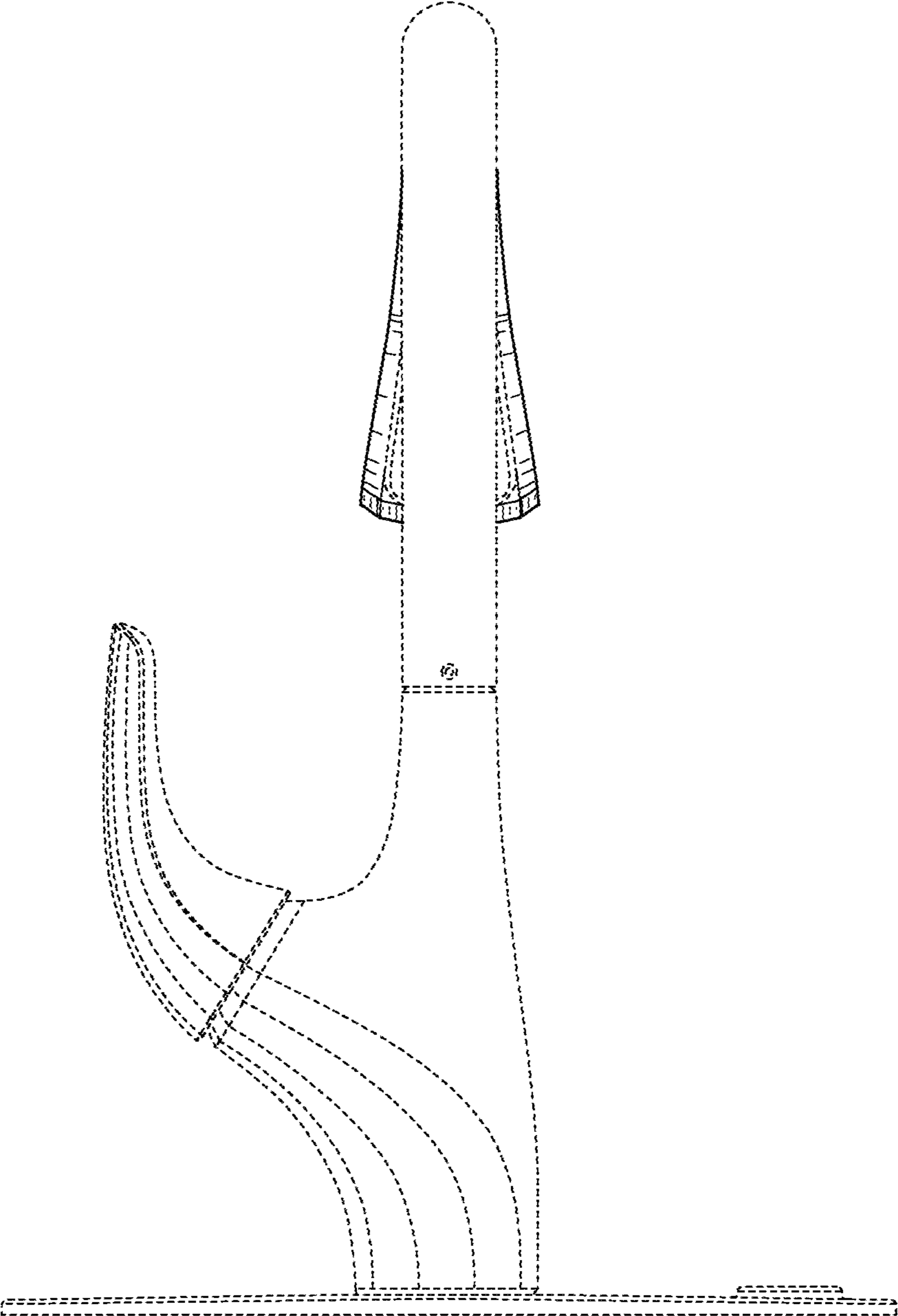


FIG. 3

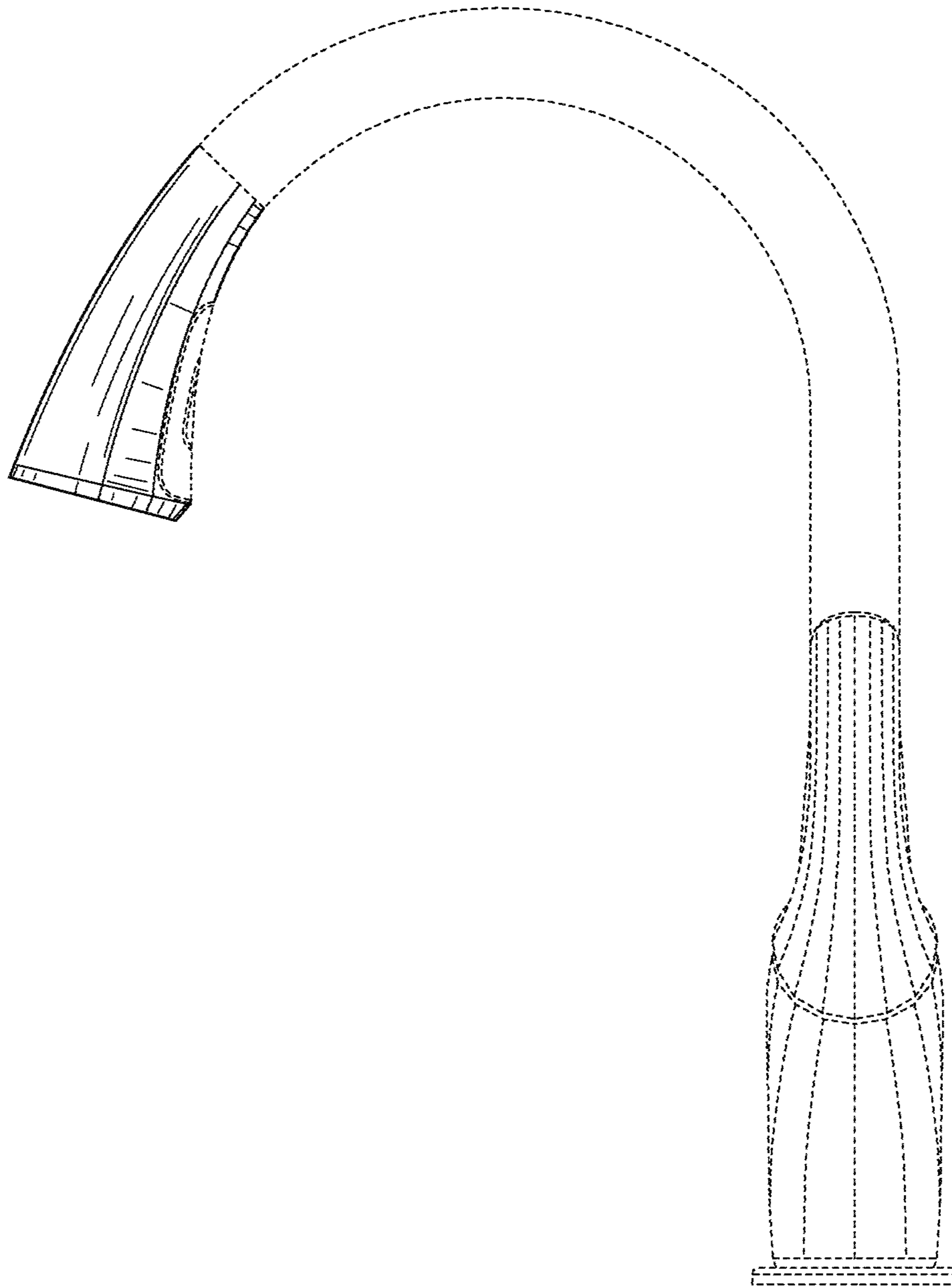


FIG. 4

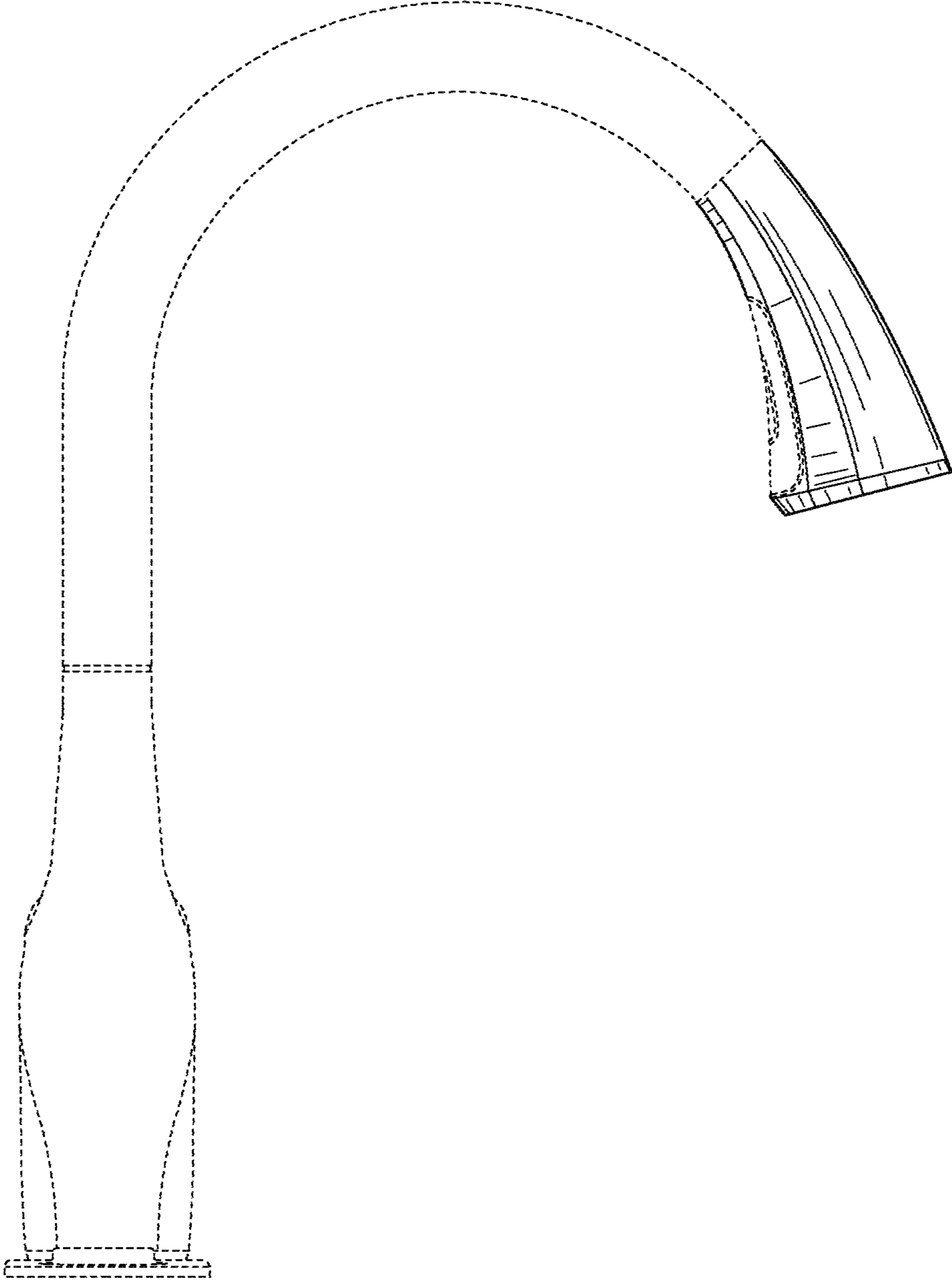


FIG. 5

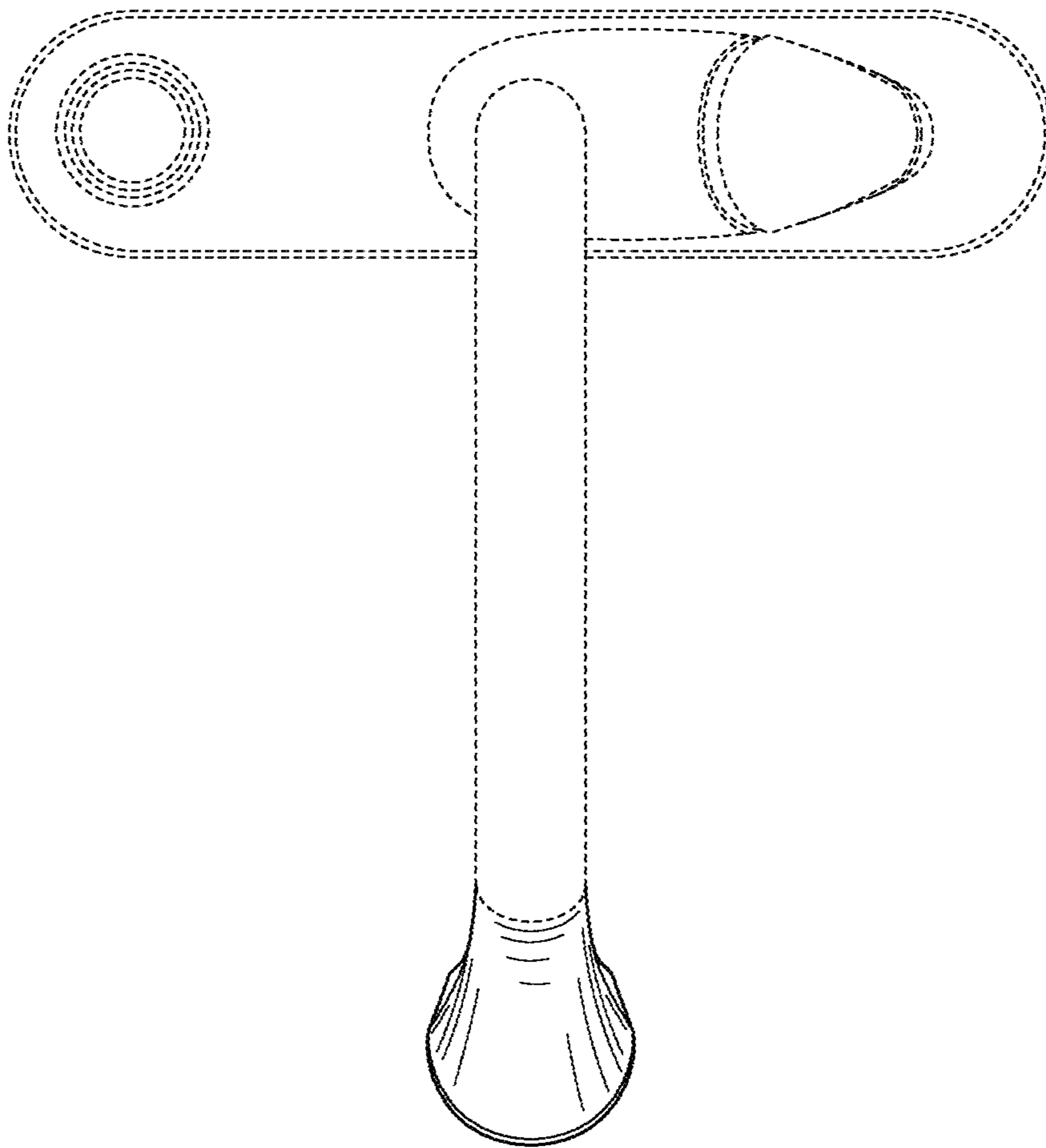


FIG. 6

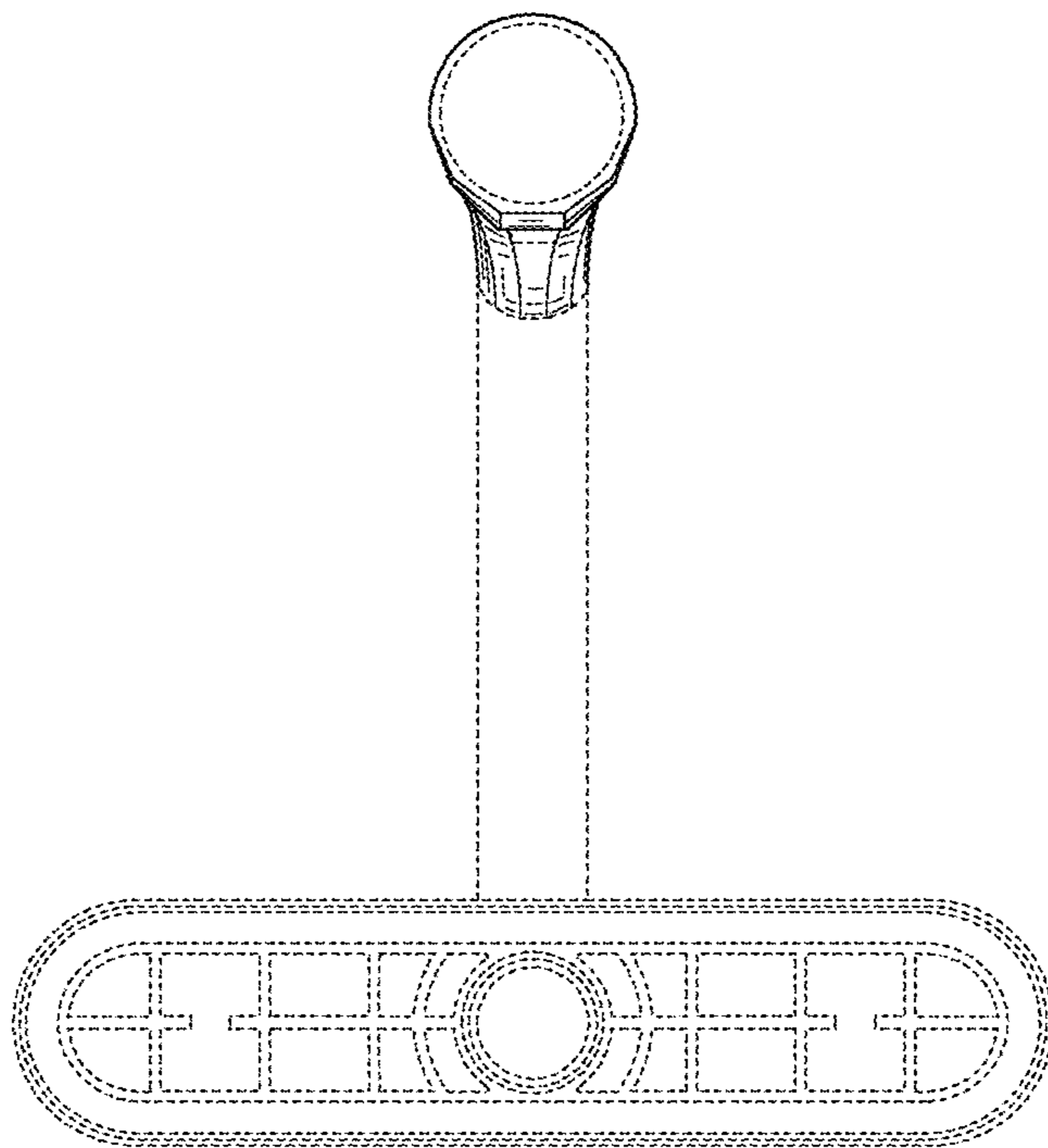


FIG. 7