



US00D797900S

(12) **United States Design Patent** (10) **Patent No.:** **US D797,900 S**
Ogata et al. (45) **Date of Patent:** **** Sep. 19, 2017**

(54) **AUTOMATIC FAUCET**

(71) Applicant: **TOTO, Ltd.**, Kitakyushu-shi, Fukuoka (JP)

(72) Inventors: **Rina Ogata**, Kitakyushu (JP); **Yusuke Takiguchi**, Kitakyushu (JP)

(73) Assignee: **TOTO, Ltd.**, Kitakyushu-shi, Fukuoka (JP)

(**) Term: **15 Years**

(21) Appl. No.: **29/556,842**

(22) Filed: **Mar. 3, 2016**

(30) **Foreign Application Priority Data**

Sep. 3, 2015 (JP) 2015-019530

(51) **LOC (10) Cl.** **23-01**

(52) **U.S. Cl.**
USPC **D23/255**

(58) **Field of Classification Search**

USPC D23/238-243, 249, 255, 257

CPC E03C 1/0404; E03C 1/0409; E03C 1/02;
E03C 1/023; E03C 1/05; E03C 1/057;
G05D 7/0629; Y10T 137/9464

See application file for complete search history.

(56) **References Cited**

U.S. PATENT DOCUMENTS

D706,906 S * 6/2014 Schoolcraft D23/255
D719,641 S * 12/2014 Schoolcraft D23/249
9,133,607 B2 * 9/2015 Schoolcraft E03C 1/057
D744,617 S * 12/2015 Schoolcraft D23/255
D755,931 S * 5/2016 Fratantonio D23/238

* cited by examiner

Primary Examiner — Robert Delehanty

(74) *Attorney, Agent, or Firm* — Banner & Witcoff, Ltd.

(57) **CLAIM**

The ornamental design for an automatic faucet, as shown and described.

DESCRIPTION

FIG. 1 is a perspective view of an automatic faucet showing our new design;

FIG. 2 is a front view thereof;

FIG. 3 is a rear view thereof;

FIG. 4 is a left side view thereof;

FIG. 5 is a right side view thereof;

FIG. 6 is a top view thereof; and,

FIG. 7 is a bottom view thereof.

The broken lines represent the unclaimed portions of the automatic faucet and form no part of the claimed design. The dash-dot-dash lines represent the boundary of the claim and form no part of the claimed design.

1 Claim, 5 Drawing Sheets

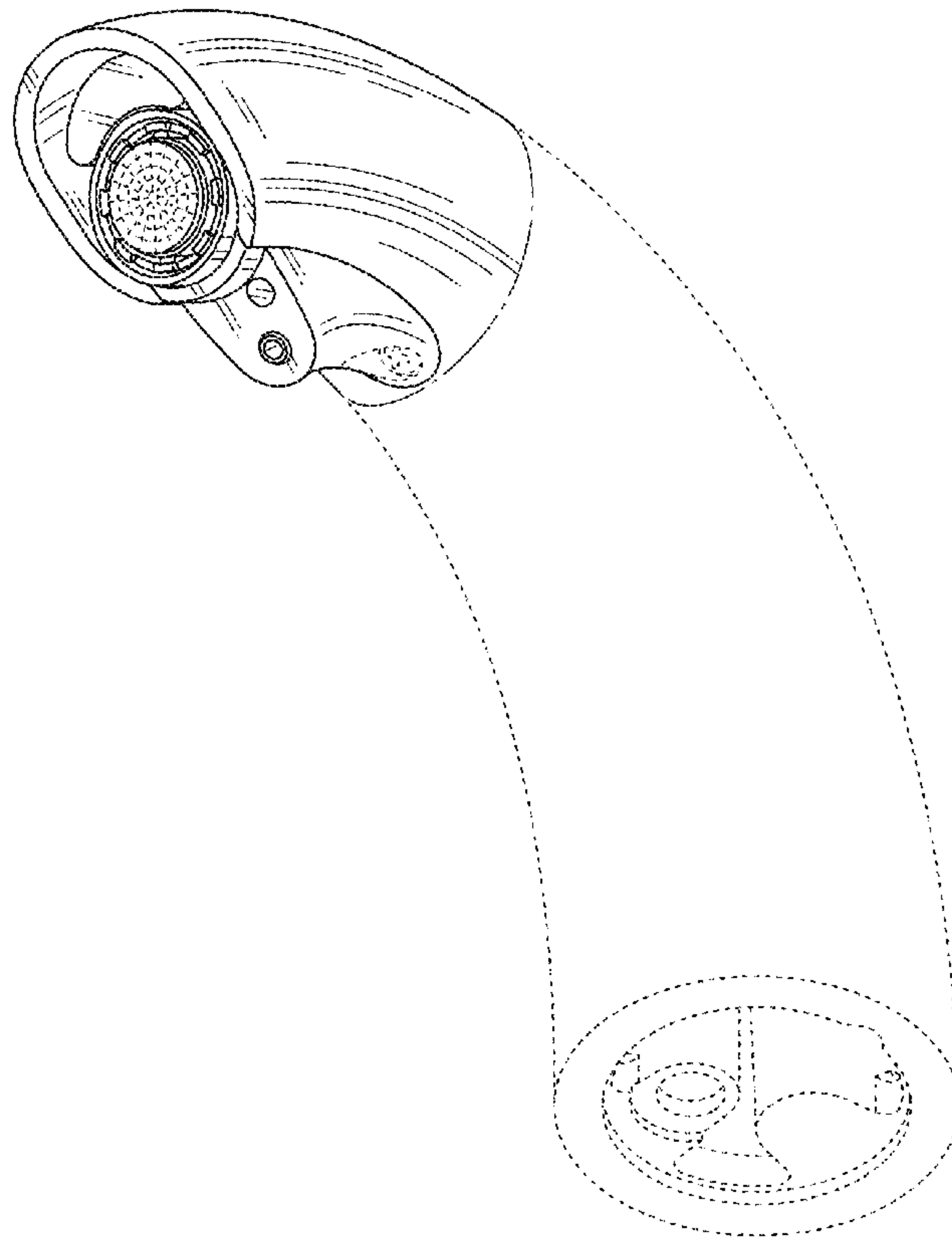


Fig. 1

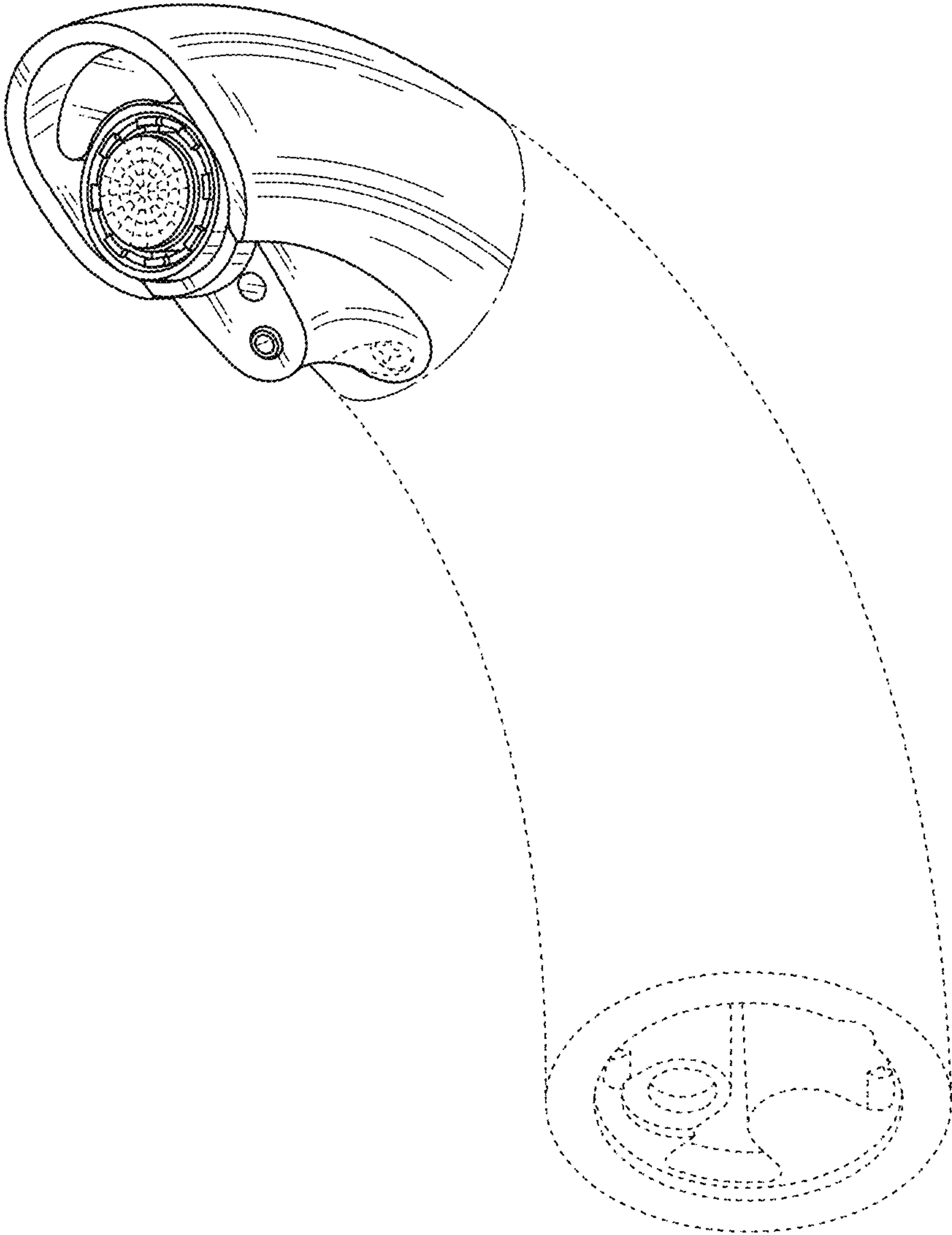


Fig. 2

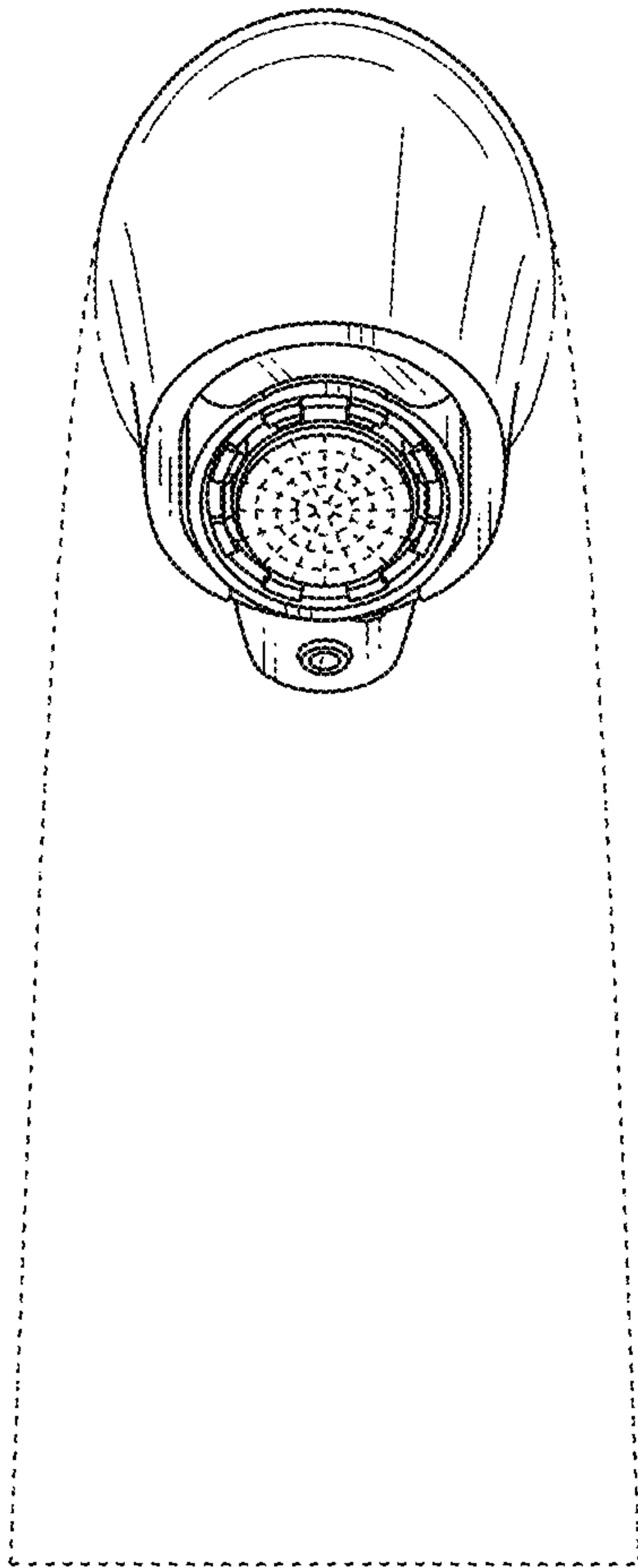


Fig. 3

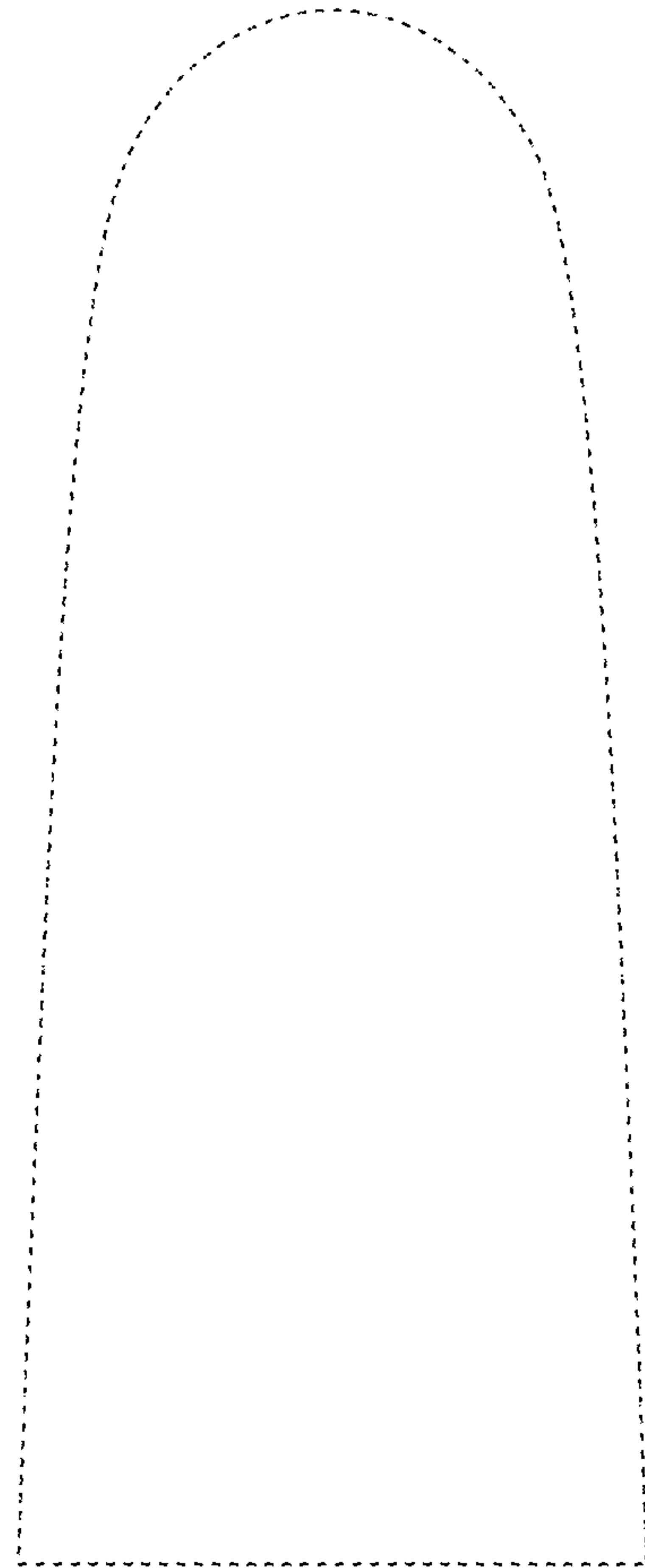


Fig. 4

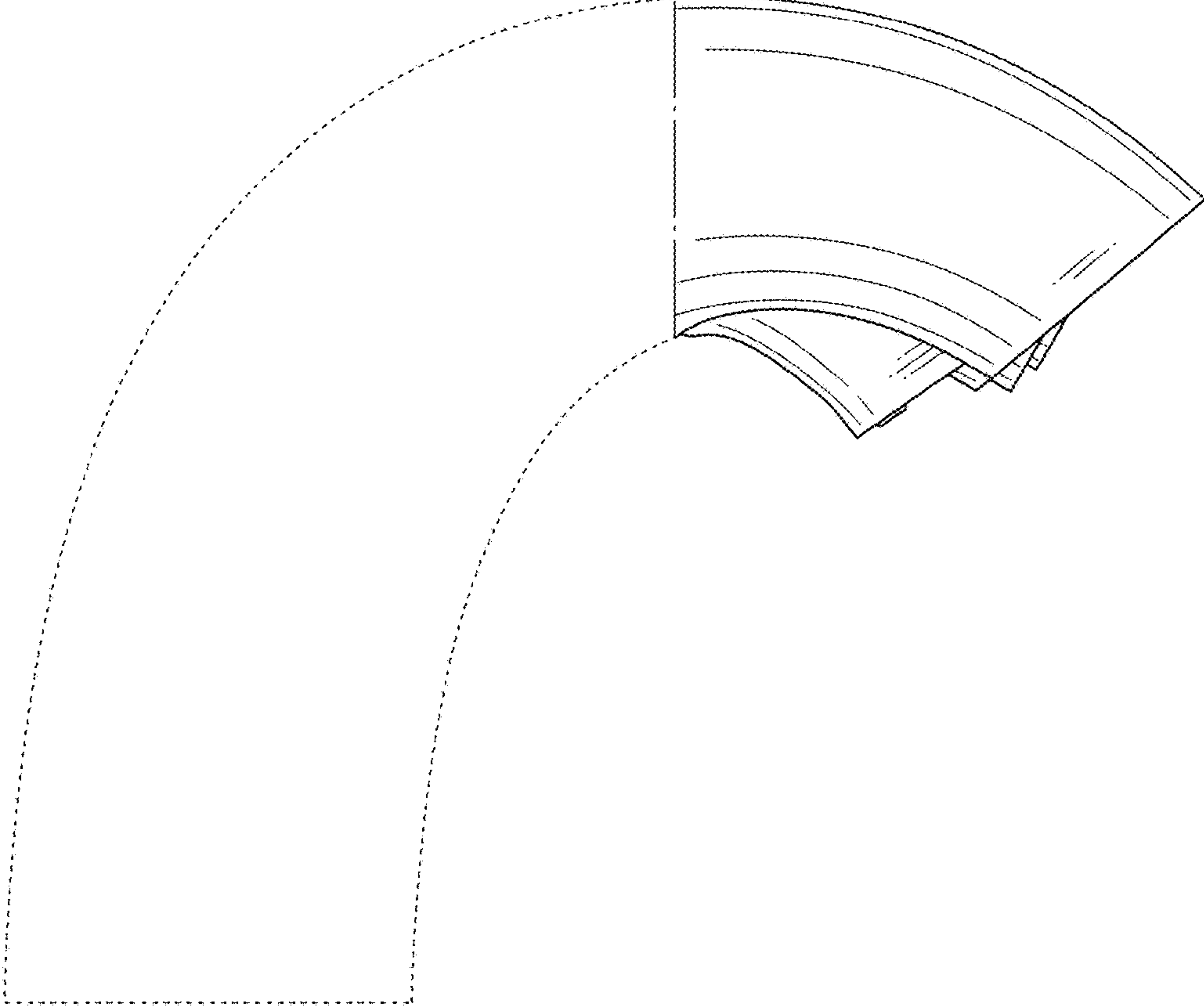


Fig. 5

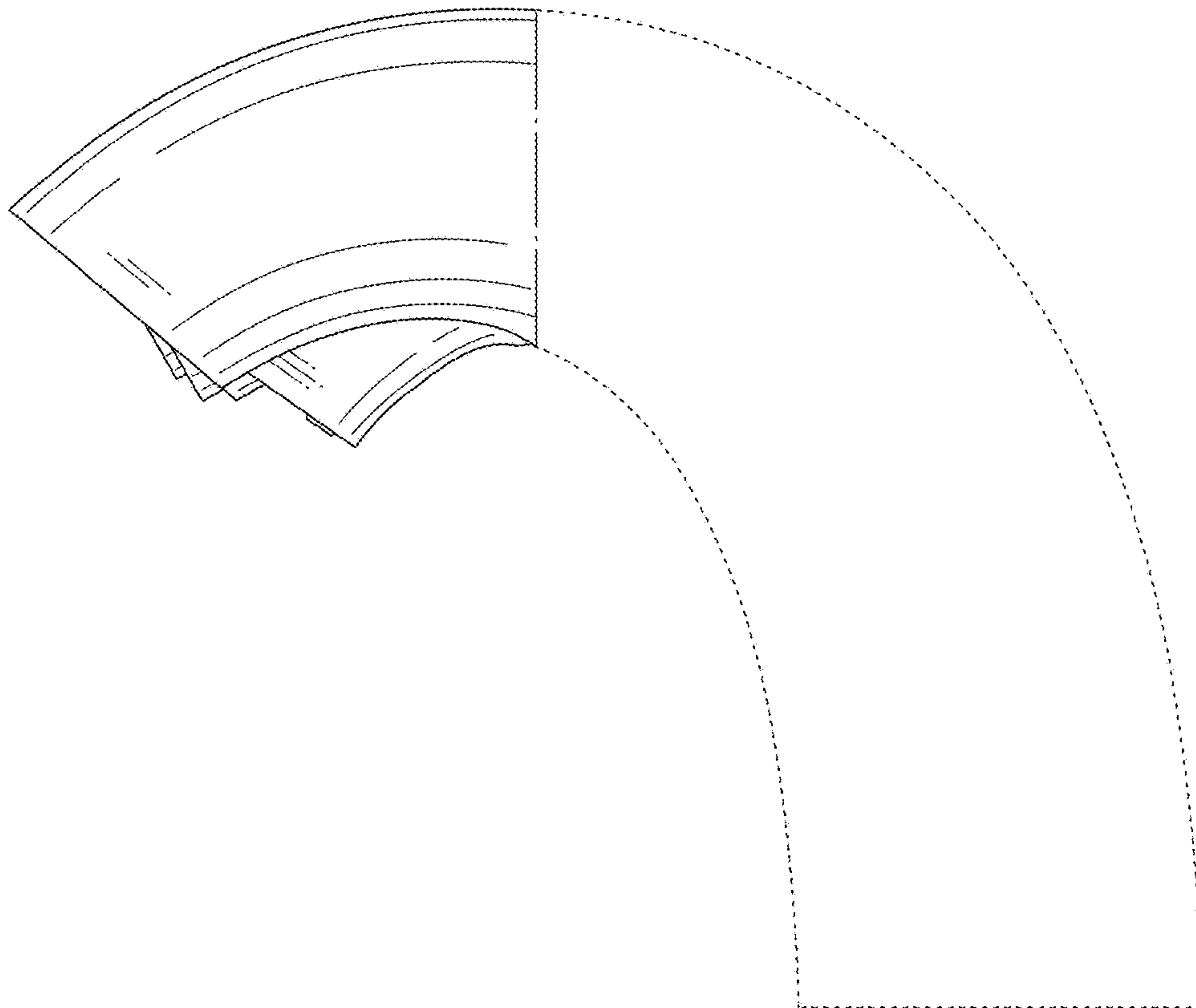


Fig. 6

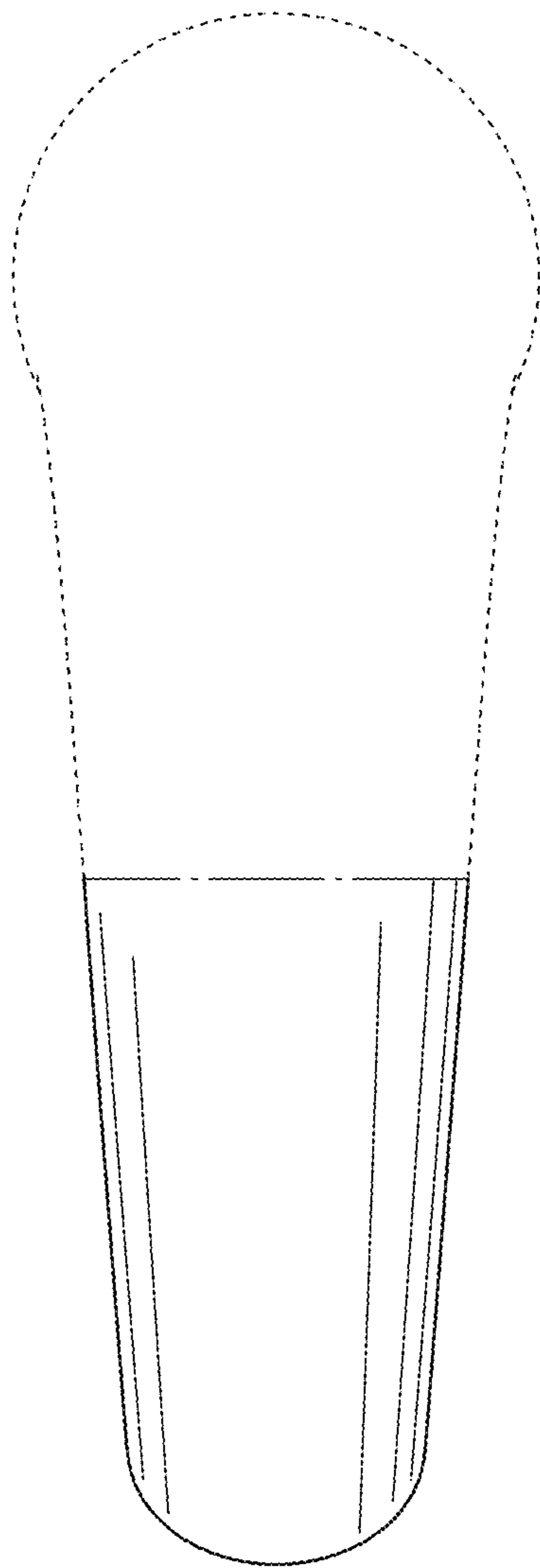


Fig. 7

