



US00D797899S

(12) **United States Design Patent** (10) **Patent No.:** **US D797,899 S**
Eads (45) **Date of Patent:** **** Sep. 19, 2017**

(54) **FAUCET SPOUT**

D464,406 S * 10/2002 Gottwald D23/255
 D478,375 S * 8/2003 Hundley D23/238
 D741,453 S * 10/2015 Bahler D23/238

(71) Applicant: **DELTA FAUCET COMPANY**,
Indianapolis, IN (US)

* cited by examiner

(72) Inventor: **Thad Eads**, North Manchester (GB)

Primary Examiner — Robert Delehanty

(73) Assignee: **DELTA FAUCET COMPANY**,
Indianapolis, IN (US)

(74) *Attorney, Agent, or Firm* — Edgar A. Zarins; Nirav D. Parikh

(**) Term: **15 Years**

(57) **CLAIM**

(21) Appl. No.: **29/555,516**

The ornamental design for a faucet spout, as shown and described.

(22) Filed: **Feb. 23, 2016**

(51) **LOC (10) Cl.** **23-01**

(52) **U.S. Cl.**
USPC **D23/255**

DESCRIPTION

(58) **Field of Classification Search**
 USPC D23/238–243, 249, 255, 257
 CPC E03C 1/0404; E03C 1/0409; E03C 1/02;
 E03C 1/023; E03C 1/05; G05D 7/0629;
 Y10T 137/9464

See application file for complete search history.

FIG. 1 is a perspective view of a faucet spout showing my new design;
 FIG. 2 is a top plan view thereof;
 FIG. 3 is a right side view thereof, the opposite side being a mirror image of the side shown;
 FIG. 4 is a bottom view thereof;
 FIG. 5 is a front elevational view thereof; and,
 FIG. 6 is a rear view thereof.

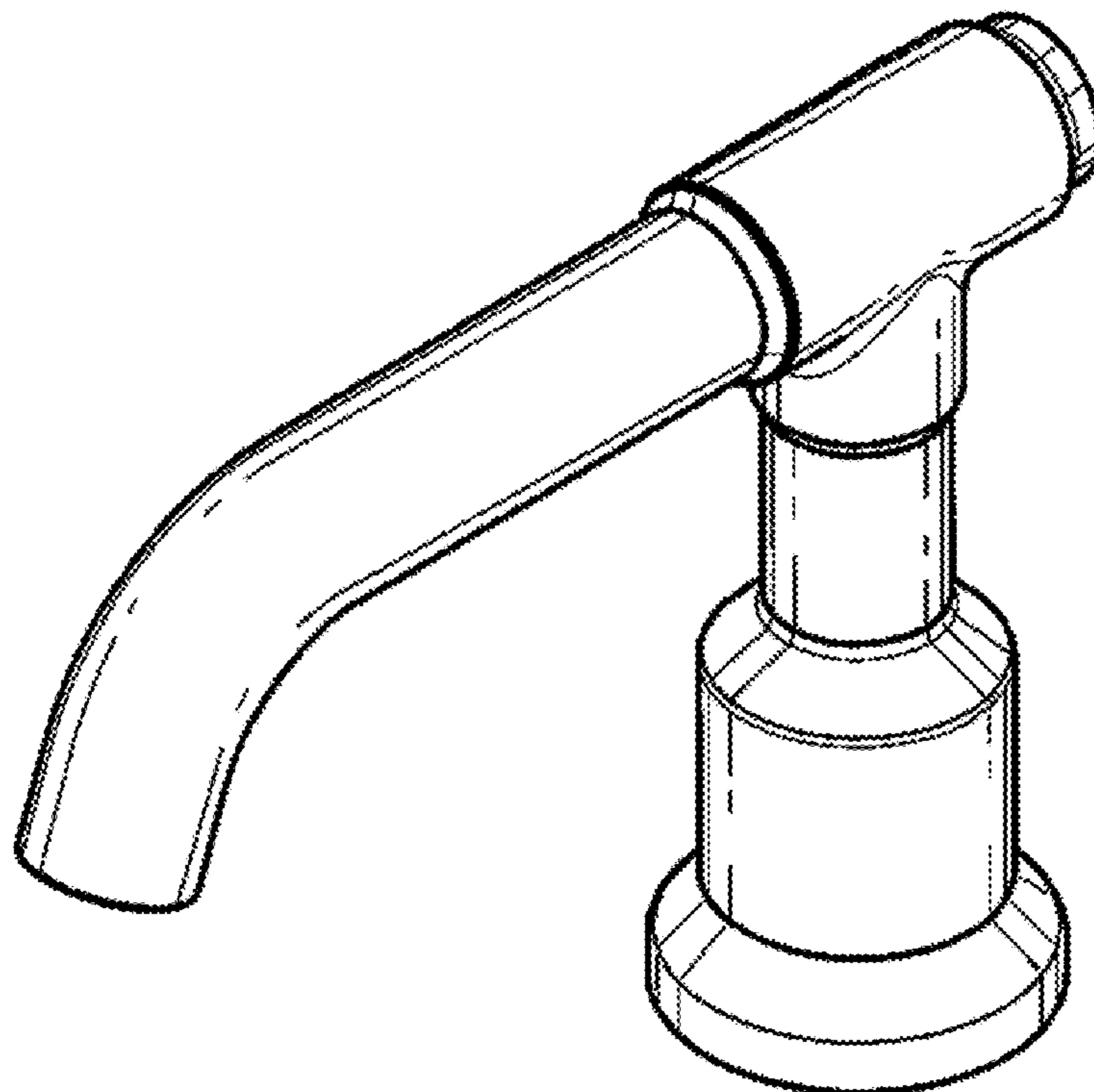
The broken line represents an unclaimed portion of the automatic faucet and forms no part of the claimed design.

(56) **References Cited**

U.S. PATENT DOCUMENTS

D322,841 S * 12/1991 Kohler, Jr. D23/255
 D326,505 S * 5/1992 Kohler, Jr. D23/255

1 Claim, 2 Drawing Sheets



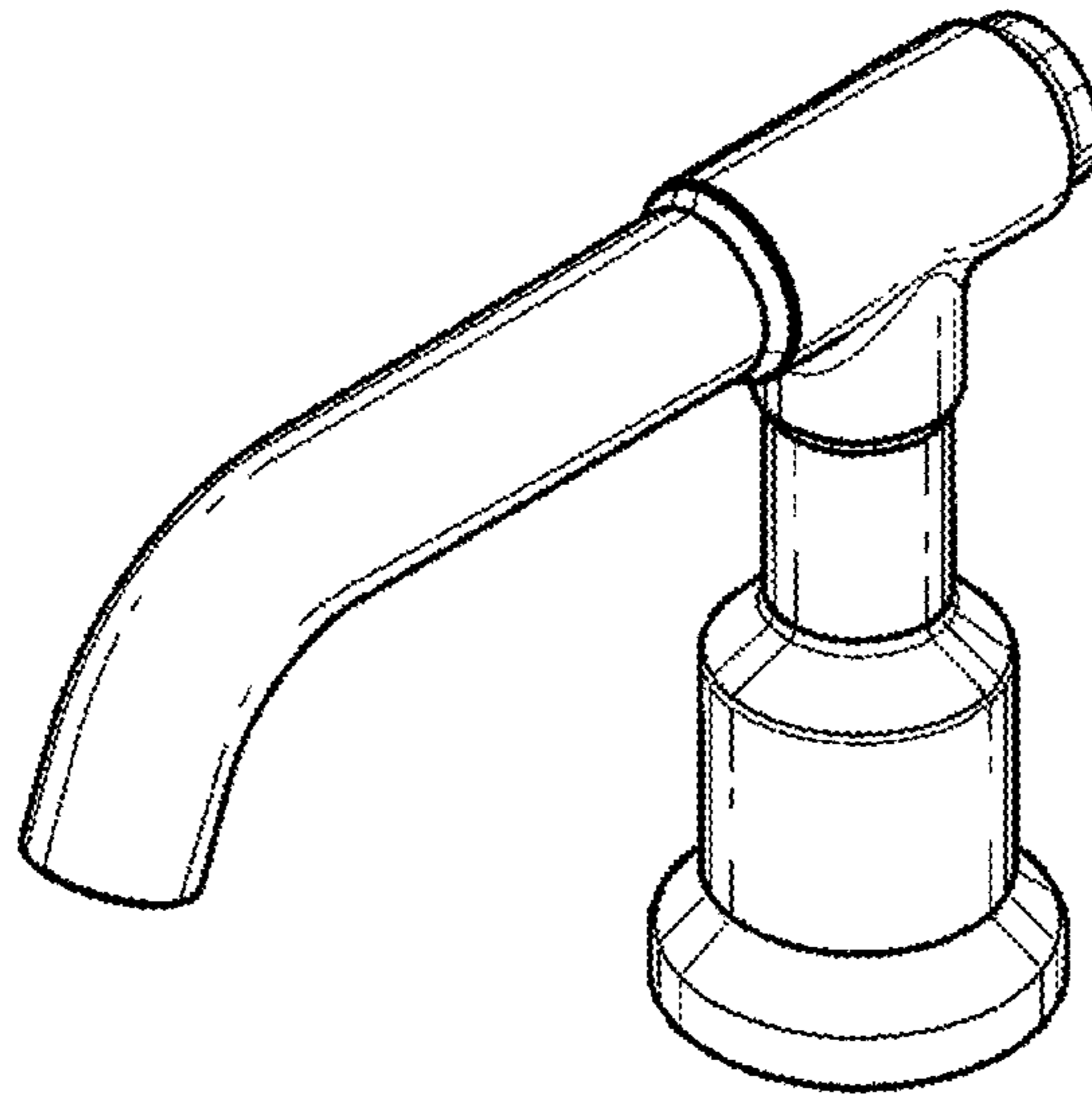


Fig-1

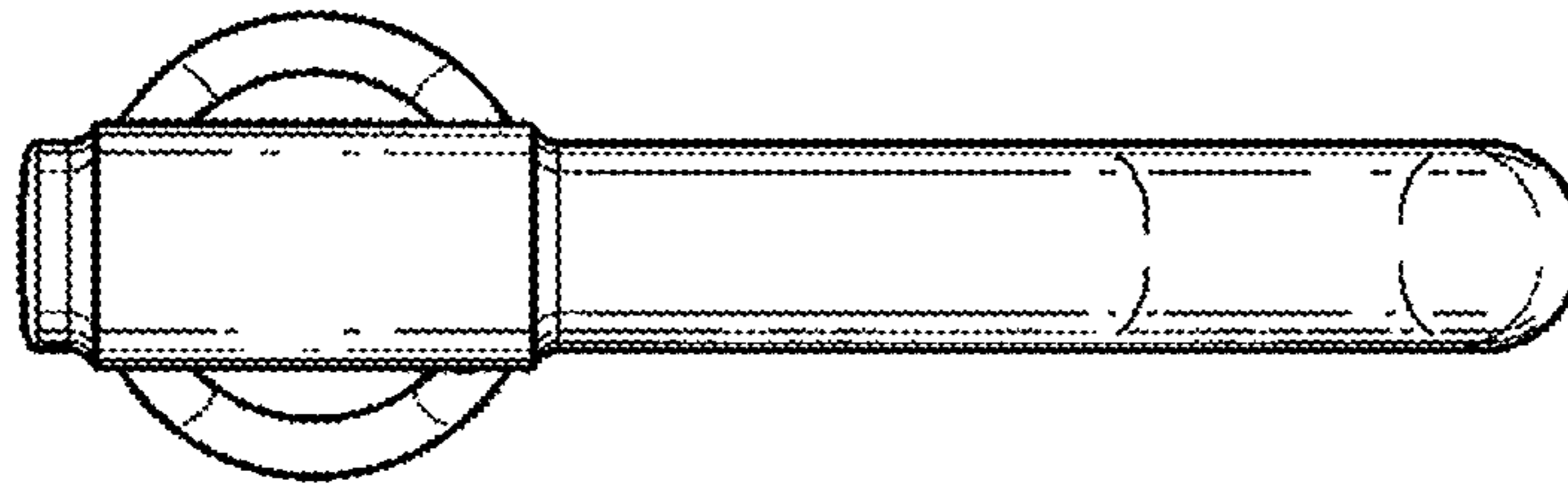


Fig-2

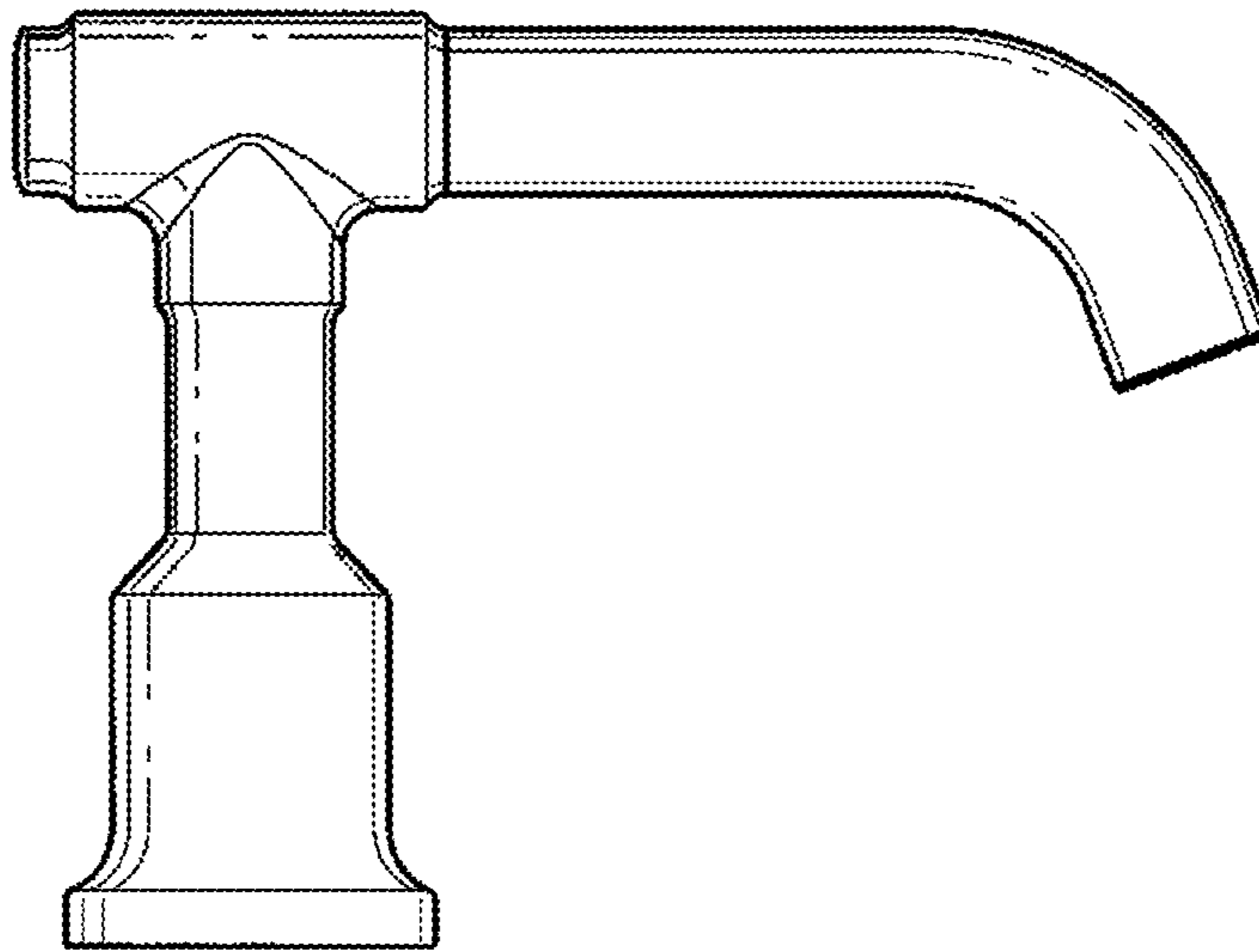


Fig-3

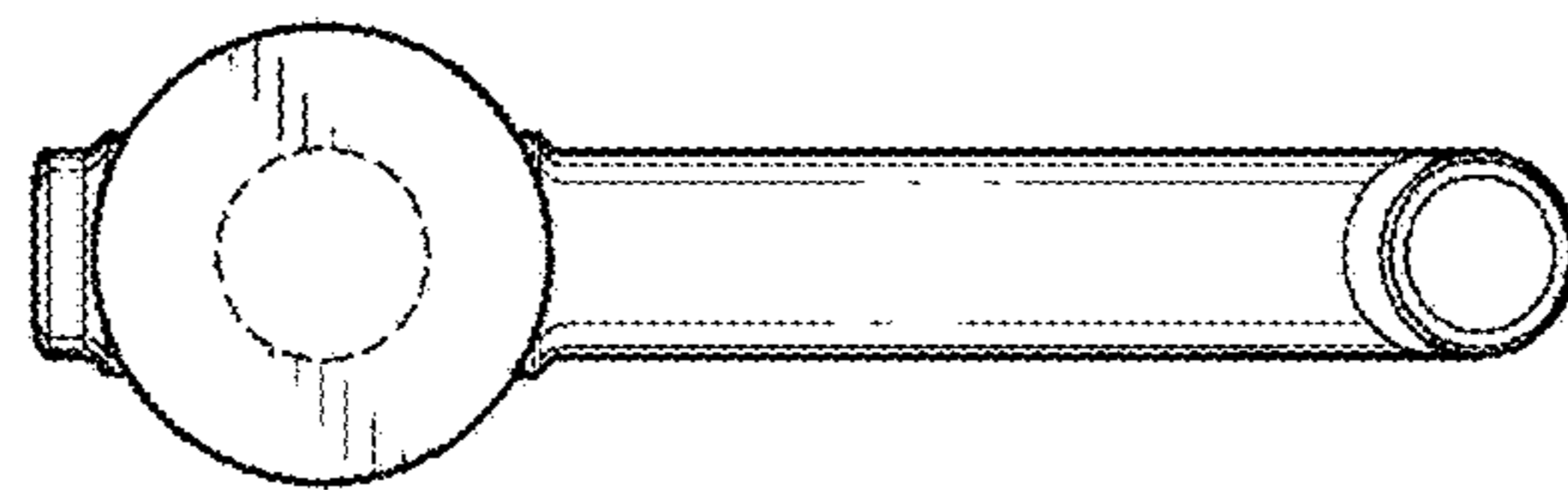


Fig-4

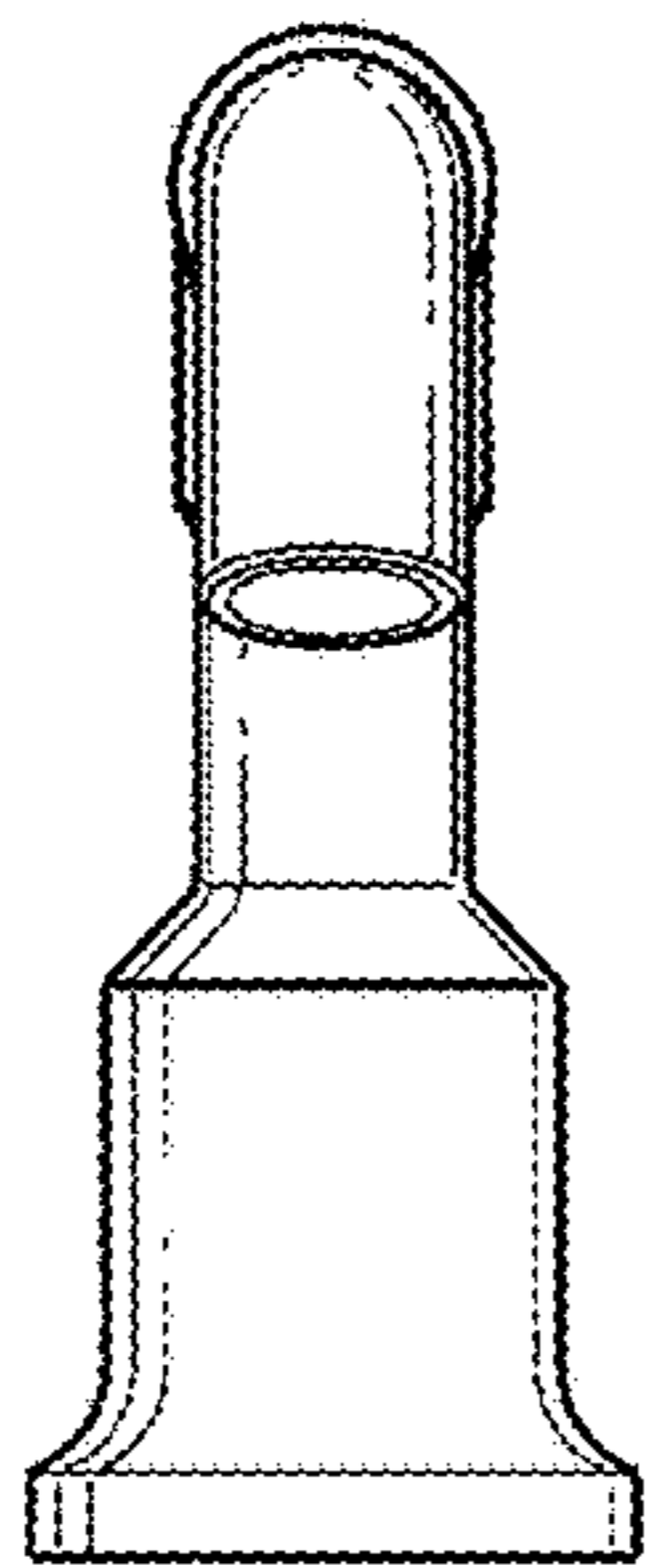


Fig-5

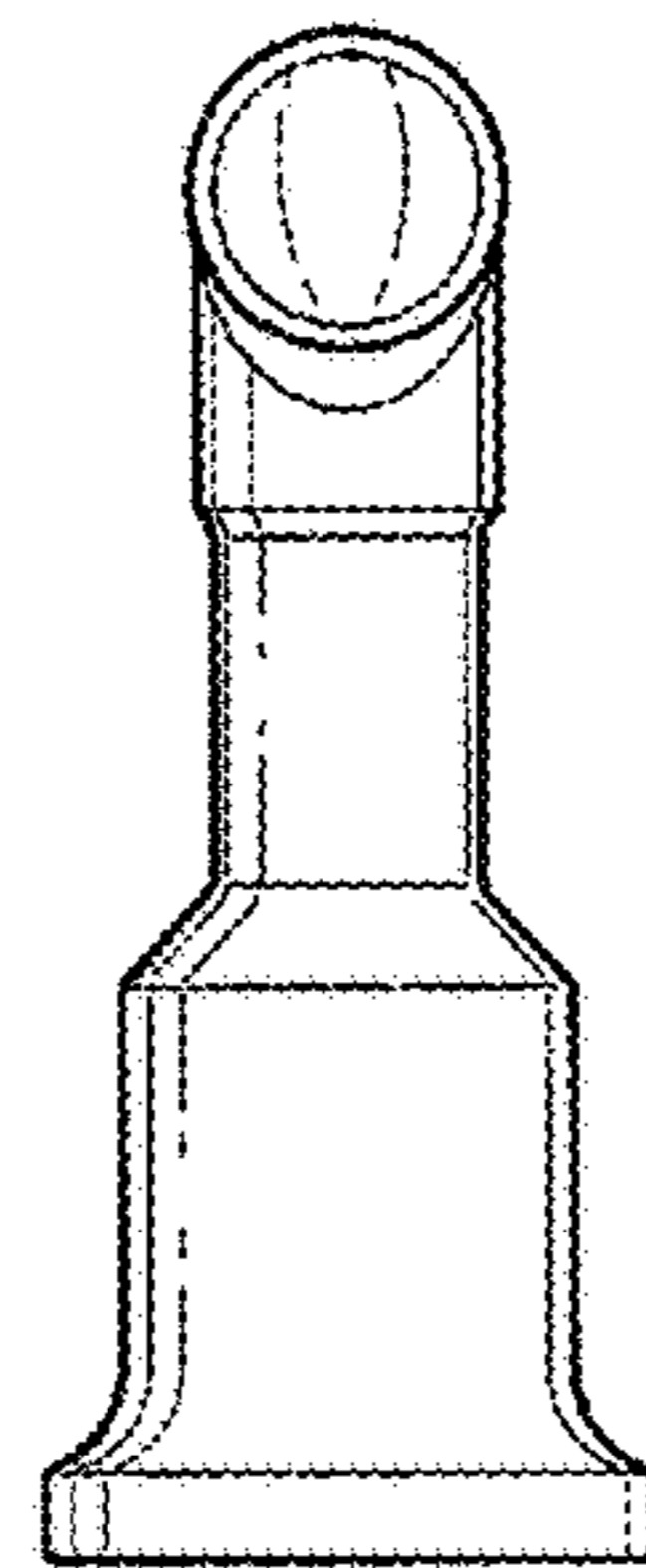


Fig-6