



US00D797898S

(12) **United States Design Patent**
Bennett

(10) **Patent No.:** **US D797,898 S**

(45) **Date of Patent:** **** Sep. 19, 2017**

(54) **FAUCET SPOUT**

D667,533 S * 9/2012 Lammel D23/238
D757,230 S * 5/2016 Schoenherr D23/255

(71) Applicant: **DELTA FAUCET COMPANY**,
Indianapolis, IN (US)

* cited by examiner

(72) Inventor: **Samantha Bennett**, Bayou Vista, TX
(US)

Primary Examiner — Robert Delehanty

(74) *Attorney, Agent, or Firm* — Edgar A. Zarins; Nirav
D. Parikh

(73) Assignee: **DELTA FAUCET COMPANY**,
Indianapolis, IN (US)

(**) Term: **15 Years**

(57) **CLAIM**

(21) Appl. No.: **29/555,514**

The ornamental design for a faucet spout, as shown and
described.

(22) Filed: **Feb. 23, 2016**

(51) **LOC (10) Cl.** **23-01**

(52) **U.S. Cl.**
USPC **D23/255**

DESCRIPTION

(58) **Field of Classification Search**
USPC D23/238–243, 249, 255, 257
CPC E03C 1/0404; E03C 1/0409; E03C 1/02;
E03C 1/023; E03C 1/05; G05D 7/0629;
Y10T 137/9464

FIG. 1 is a perspective view of a faucet spout showing my
new design;
FIG. 2 is a top plan view thereof;
FIG. 3 is a first side view thereof, the opposite side being a
mirror image of the side shown;
FIG. 4 is a bottom view thereof;
FIG. 5 is a front elevational view thereof; and,
FIG. 6 is a rear view thereof.

See application file for complete search history.

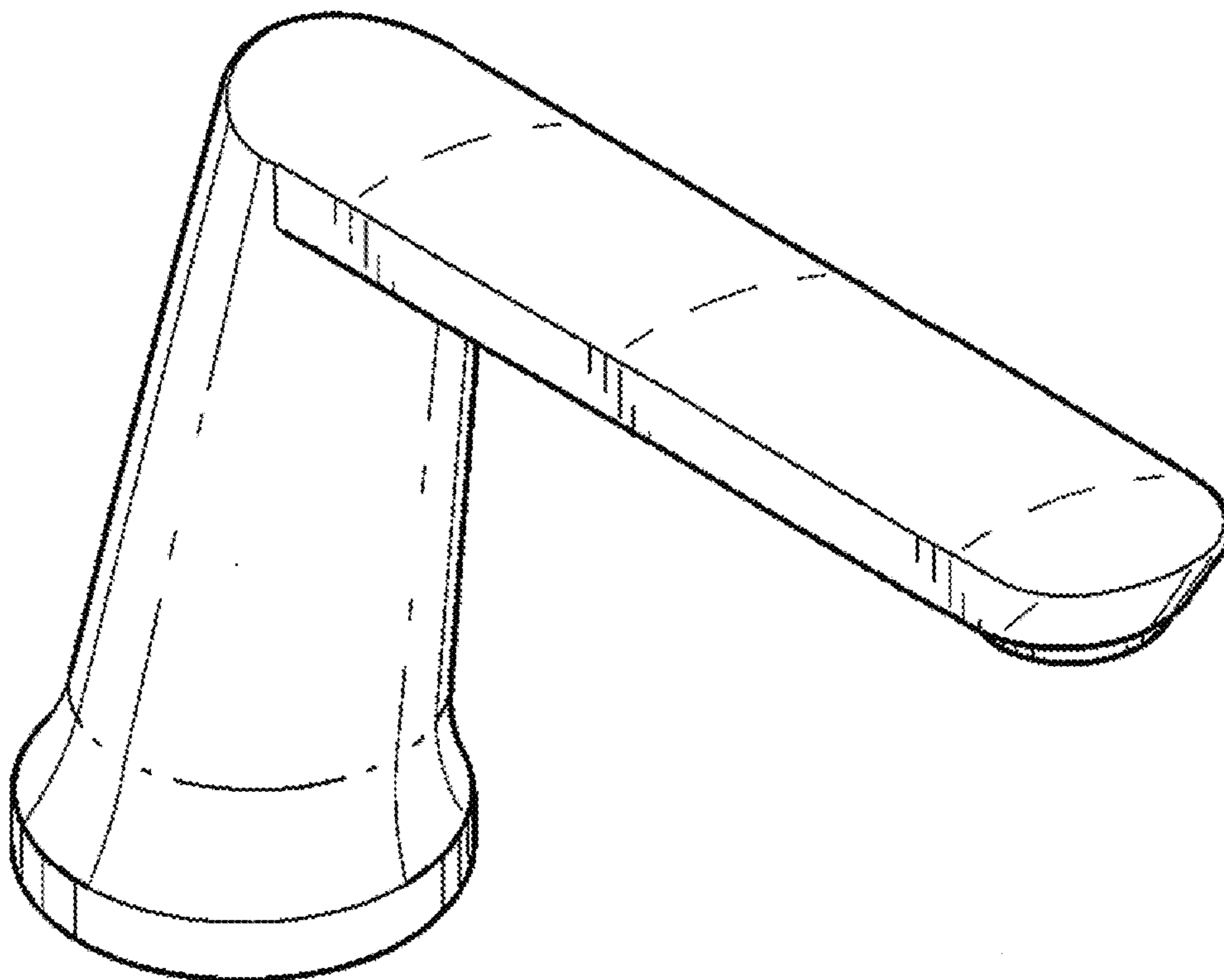
The broken line represents an unclaimed portion of the
automatic faucet and forms no part of the claimed design.

(56) **References Cited**

U.S. PATENT DOCUMENTS

4,763,693 A * 8/1988 Valley E03C 1/0404
137/606

1 Claim, 2 Drawing Sheets



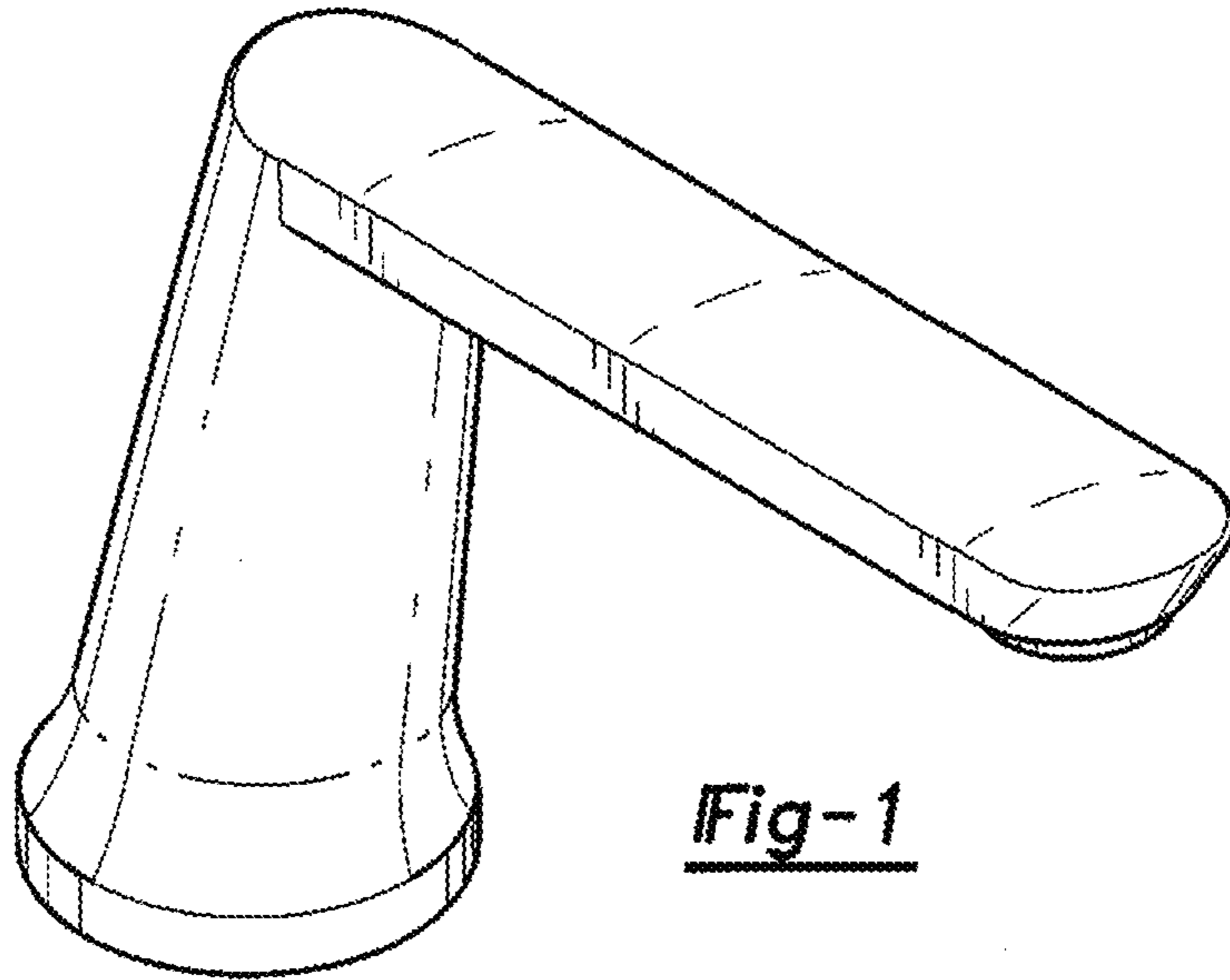


Fig-1

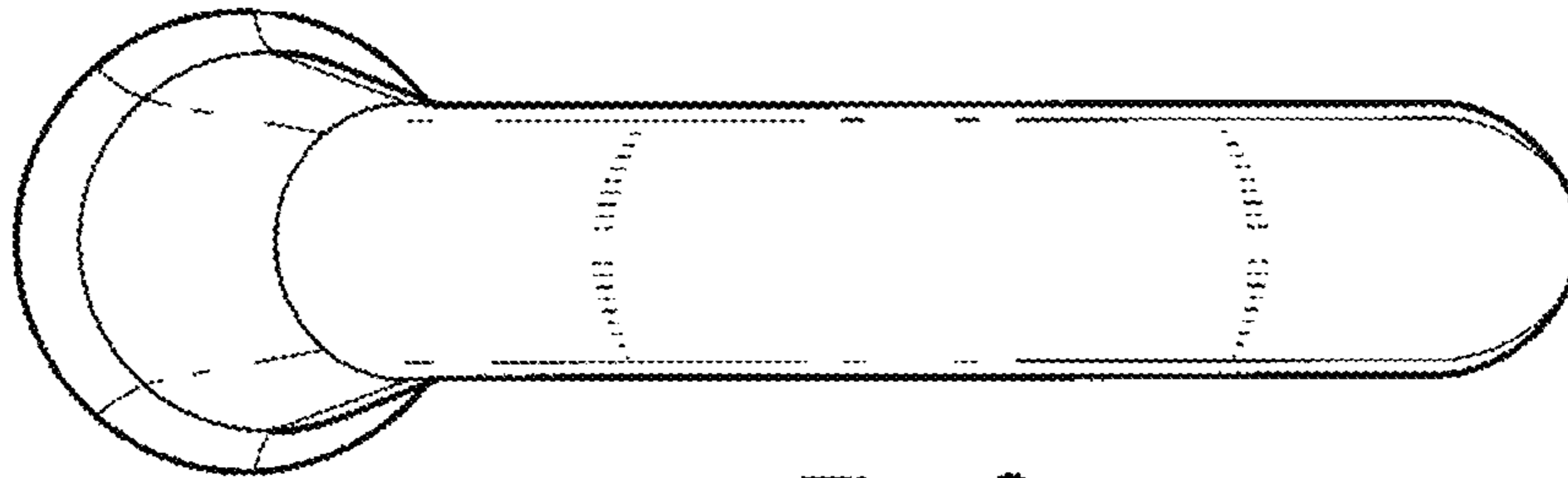


Fig-2

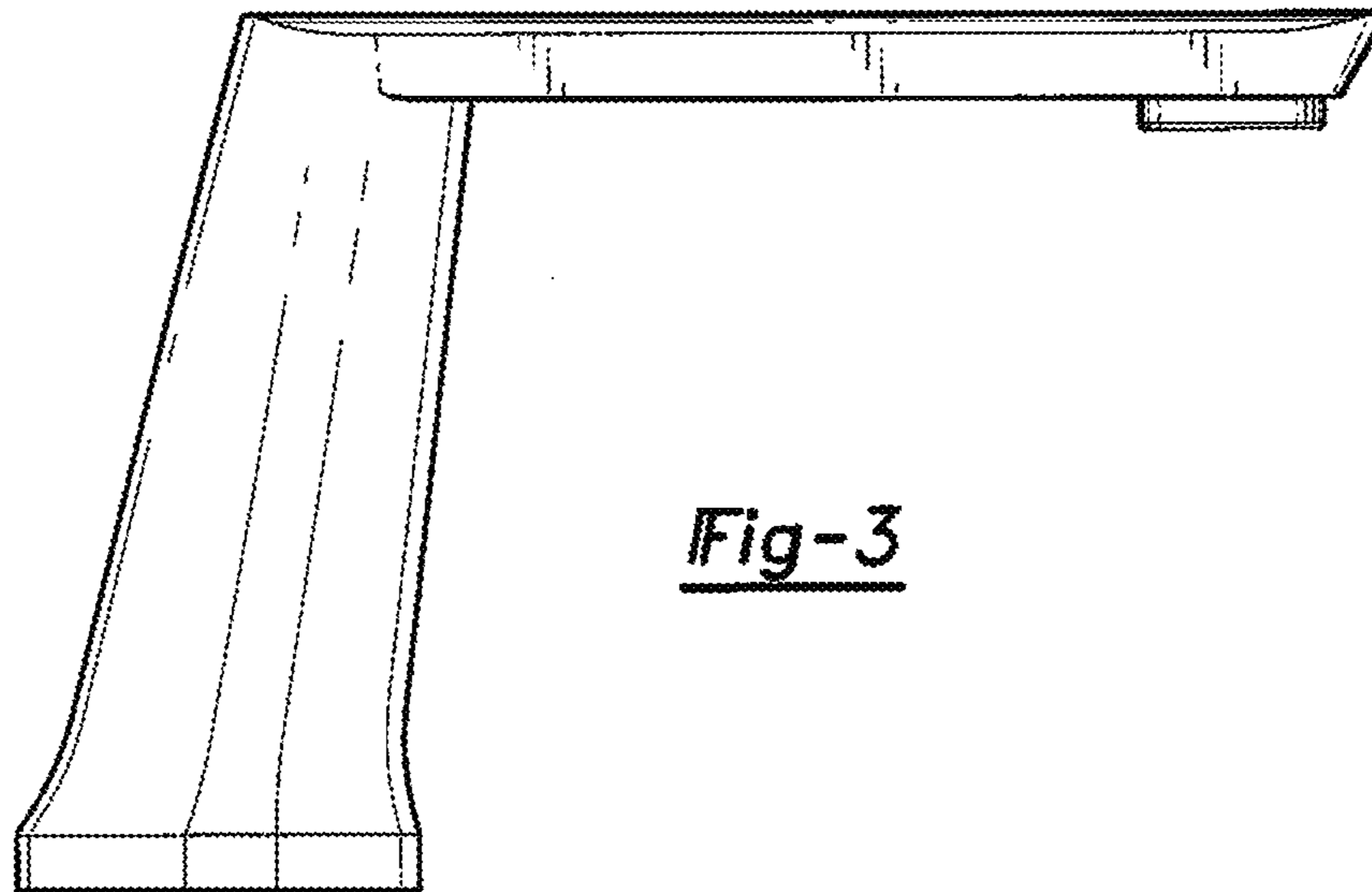


Fig-3

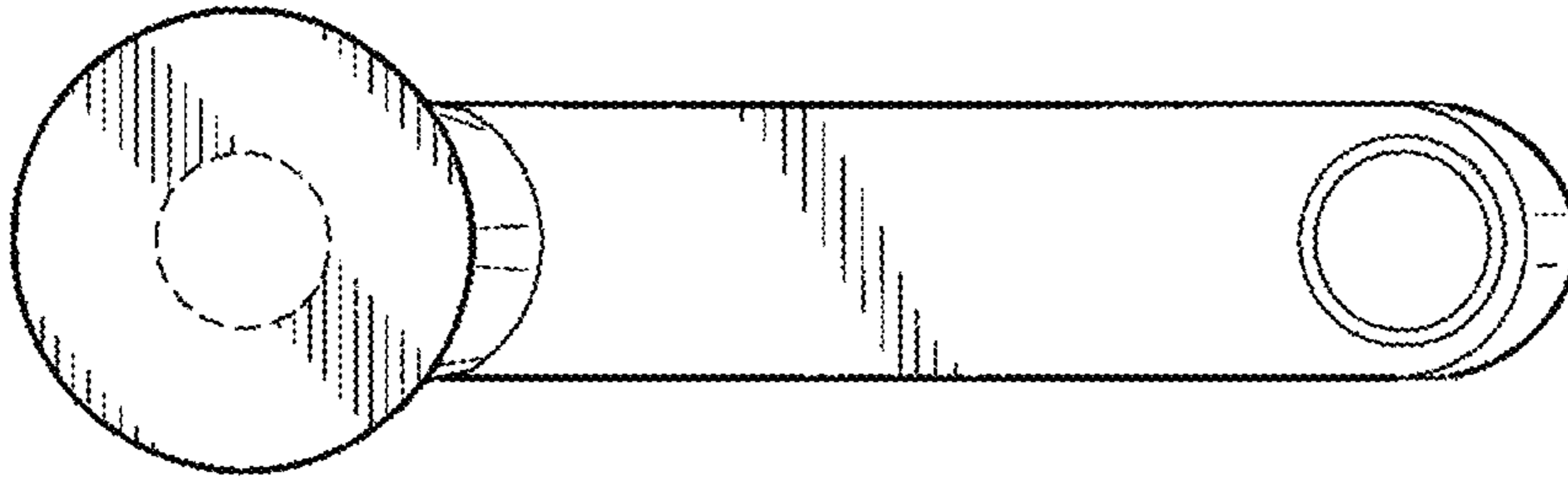


Fig-4

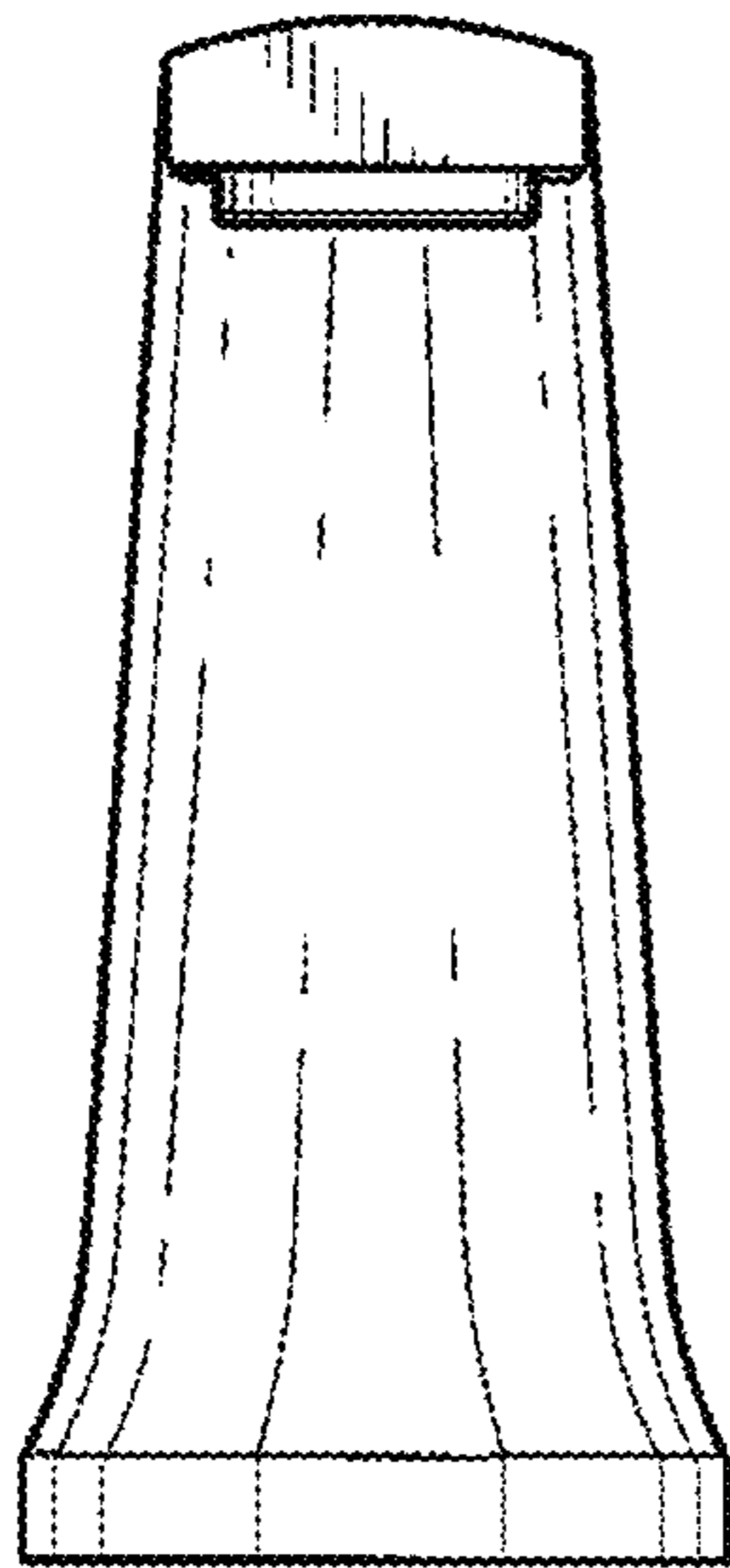


Fig-5

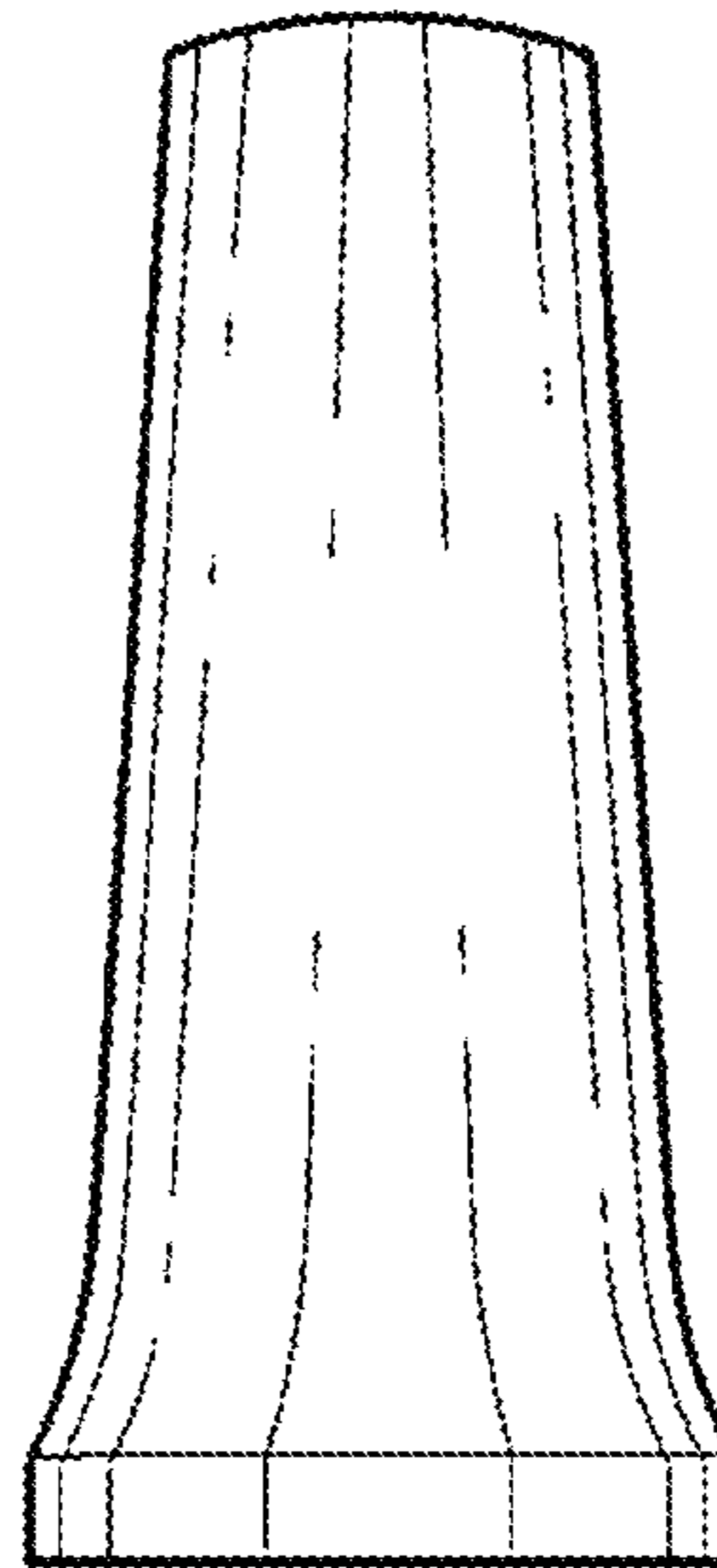


Fig-6