



US00D797897S

(12) **United States Design Patent**  
**Fritz**

(10) **Patent No.:** **US D797,897 S**

(45) **Date of Patent:** **\*\* Sep. 19, 2017**

(54) **FAUCET SPOUT**

D724,184 S \* 3/2015 Cahill ..... D23/255  
D755,932 S \* 5/2016 Fritz ..... D23/242

(71) Applicant: **DELTA FAUCET COMPANY,**  
Indianapolis, IN (US)

\* cited by examiner

(72) Inventor: **Seth Fritz,** Carmel, IN (US)

*Primary Examiner* — Robert Delehanty

(73) Assignee: **DELTA FAUCET COMPANY,**  
Indianapolis, IN (US)

(74) *Attorney, Agent, or Firm* — Edgar A. Zarins; Nirav  
D. Parikh

(\*\*) Term: **15 Years**

(57) **CLAIM**

(21) Appl. No.: **29/555,507**

The ornamental design for a faucet spout, as shown and  
described.

(22) Filed: **Feb. 23, 2016**

(51) **LOC (10) Cl.** ..... **23-01**

(52) **U.S. Cl.**  
USPC ..... **D23/255**

**DESCRIPTION**

(58) **Field of Classification Search**  
USPC ..... D23/238–243, 249, 255, 257  
CPC . E03C 1/00; E03C 1/0404; E03C 1/02; E03C  
1/021

FIG. 1 is a perspective view of a faucet spout showing my  
new design;  
FIG. 2 is a front elevational view thereof;  
FIG. 3 is a rear view thereof;  
FIG. 4 is a right side view thereof, the opposite side being  
a mirror image of the side shown;  
FIG. 5 is a top plan view thereof; and,  
FIG. 6 is a bottom view thereof.

See application file for complete search history.

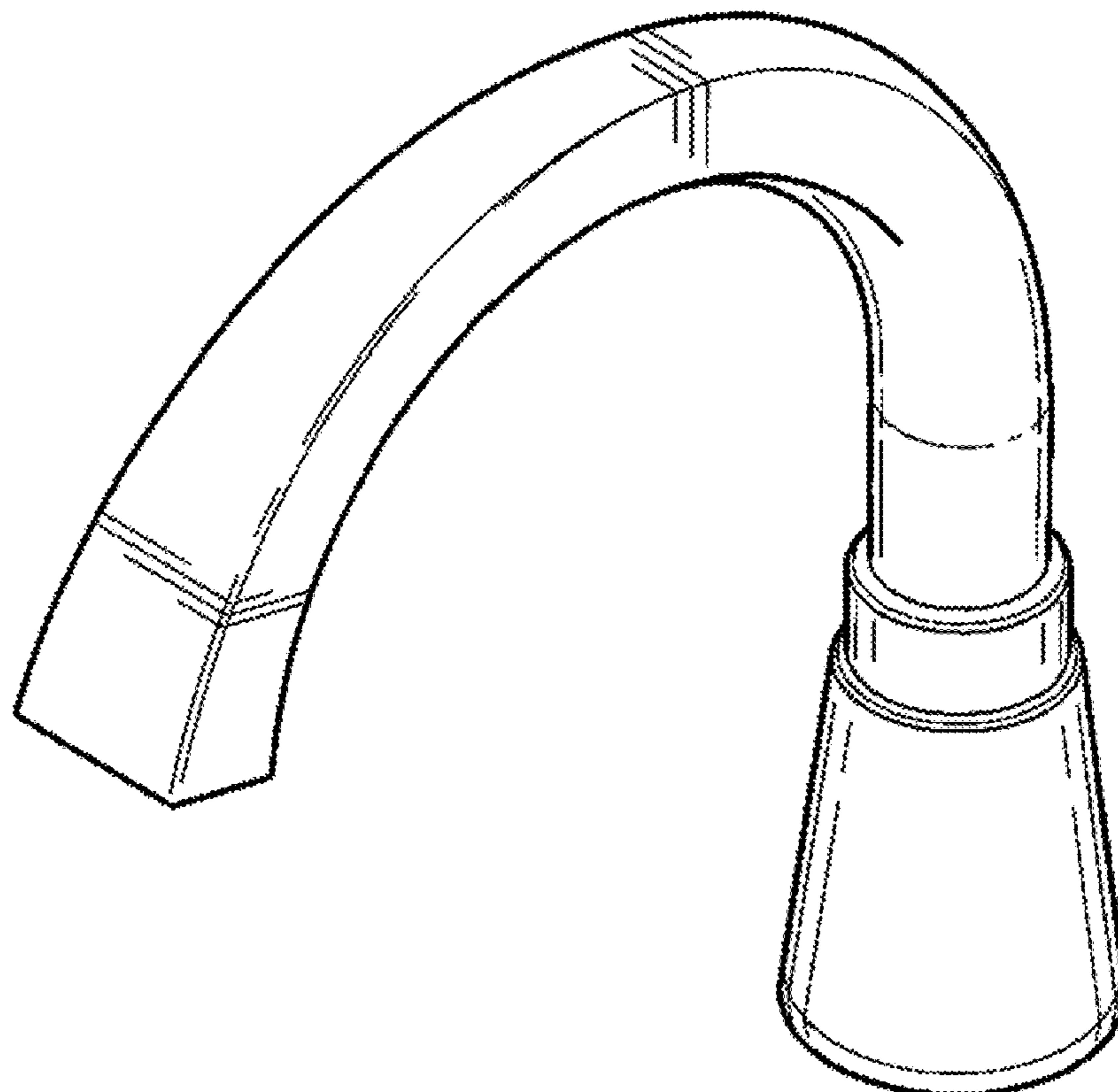
The broken lines shown in FIG. 6 of the drawings are  
included for the purposes of illustrating a portion of the  
faucet that forms no part of the claimed design.

(56) **References Cited**

**U.S. PATENT DOCUMENTS**

D518,558 S \* 4/2006 Soriano ..... D23/255  
D518,880 S \* 4/2006 Singtoroj ..... D23/255

**1 Claim, 2 Drawing Sheets**



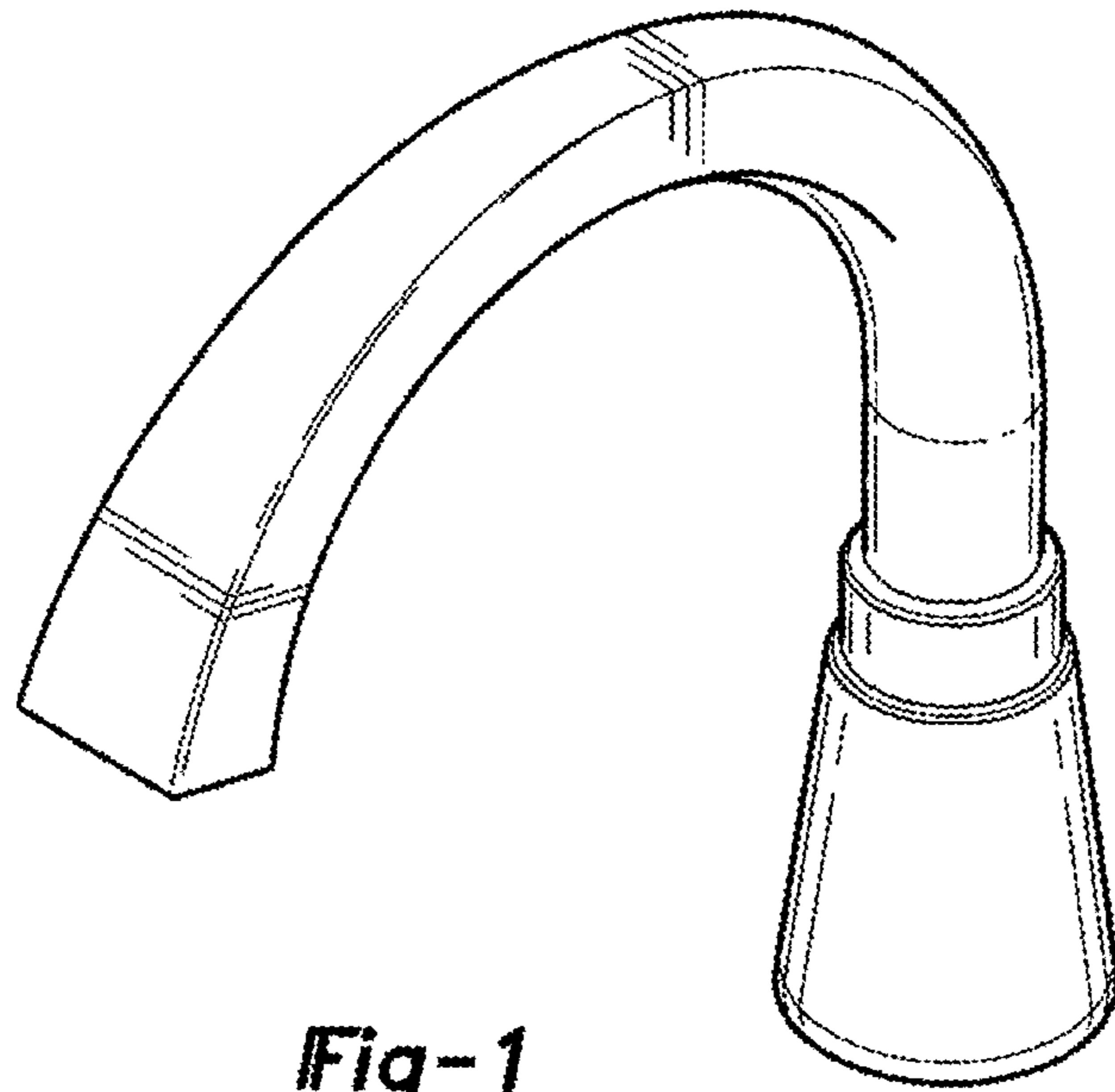


Fig-1

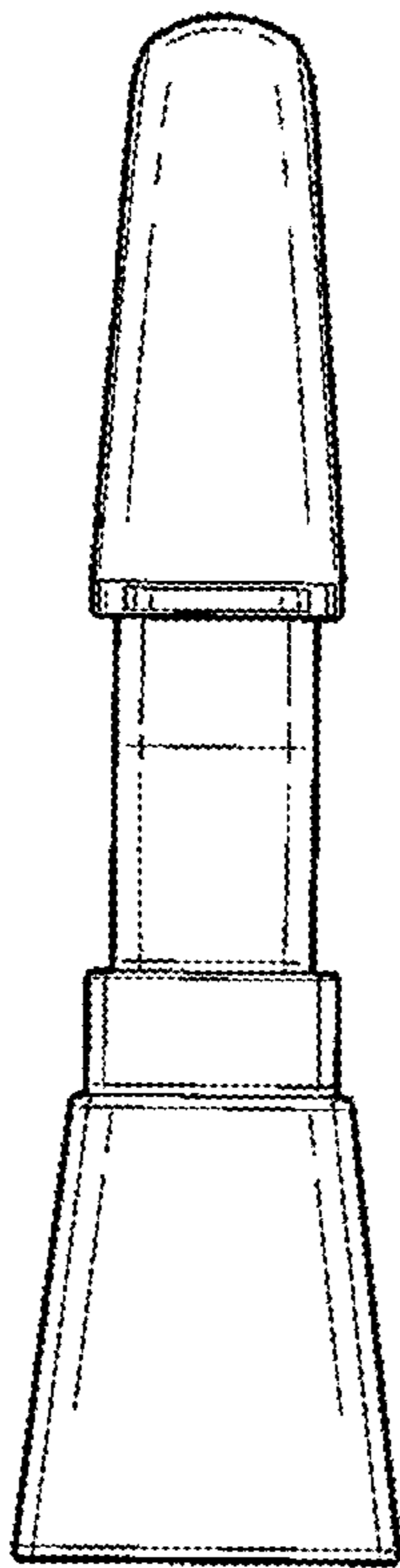


Fig-2

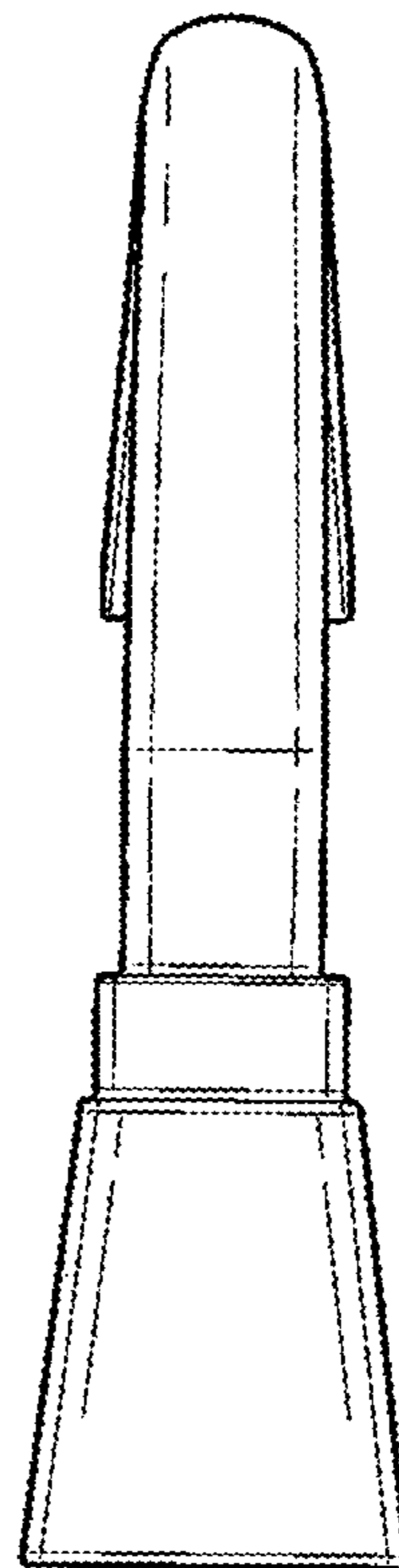


Fig-3

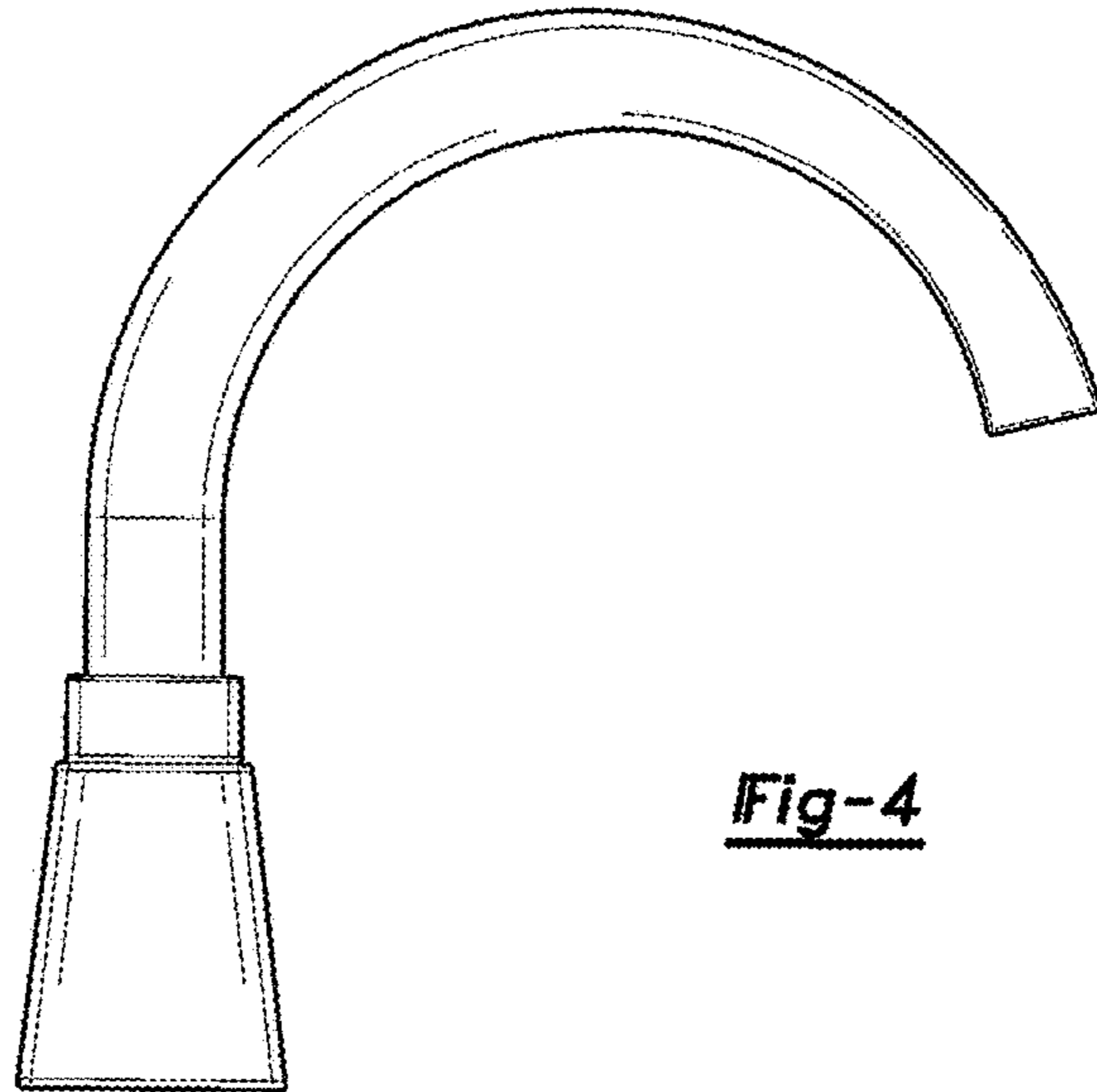


Fig-4

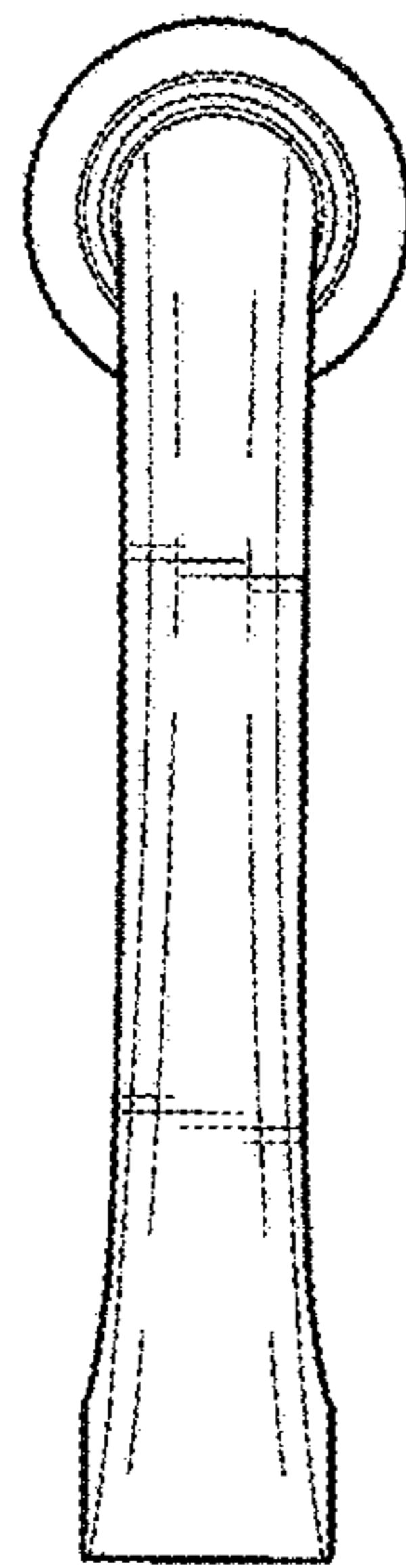


Fig-5

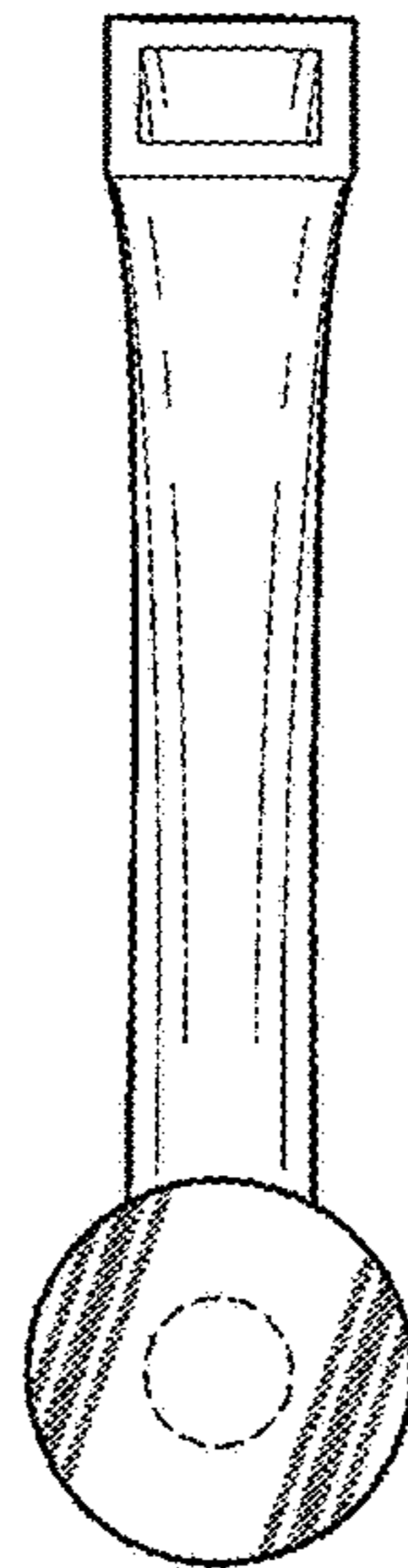


Fig-6