

US00D797896S

(12) **United States Design Patent**  
**Eads**

(10) **Patent No.:** **US D797,896 S**

(45) **Date of Patent:** **\*\* Sep. 19, 2017**

(54) **VALVE TRIM**

(71) Applicant: **DELTA FAUCET COMPANY,**  
Indianapolis, IN (US)

(72) Inventor: **Thad Eads,** North Manchester, IN (US)

(73) Assignee: **DELTA FAUCET COMPANY,**  
Indianapolis, IN (US)

(\*\*) Term: **15 Years**

(21) Appl. No.: **29/592,787**

(22) Filed: **Feb. 2, 2017**

**Related U.S. Application Data**

(62) Division of application No. 29/551,217, filed on Jan. 12, 2016, now Pat. No. Des. 782,012.

(51) **LOC (10) Cl.** ..... **23-01**

(52) **U.S. Cl.**

USPC ..... **D23/254; D23/252**

(58) **Field of Classification Search**

USPC ..... D23/238–243, 249–254; D8/350–358

CPC ..... E03C 1/04; E03C 1/0401; E03C 1/0402;

E03C 1/0404; F16K 31/602; F16K

31/605; F16K 31/607

See application file for complete search history.

(56) **References Cited**

**U.S. PATENT DOCUMENTS**

D303,566 S \* 9/1989 Kohler, Jr. .... D23/249

D413,655 S \* 9/1999 Gottwald ..... D23/254

D418,582 S \* 1/2000 Gottwald ..... D23/254

D511,805 S \* 11/2005 Otero ..... D23/249

D540,919 S \* 4/2007 Soriano ..... D23/249

D620,563 S \* 7/2010 Hanna ..... D23/254

D677,758 S \* 3/2013 Mendoza ..... D23/252

D740,396 S \* 10/2015 Bahler ..... D23/252

D760,359 S \* 6/2016 Citterio ..... D23/252

\* cited by examiner

*Primary Examiner* — Robert Delehanty

(74) *Attorney, Agent, or Firm* — Edgar A. Zarins; Nirav D. Parikh

(57) **CLAIM**

The ornamental design for a valve trim, as shown and described.

**DESCRIPTION**

FIG. 1 is a perspective view of a valve trim showing my new design;

FIG. 2 is a top plan view thereof;

FIG. 3 is a front elevational view thereof;

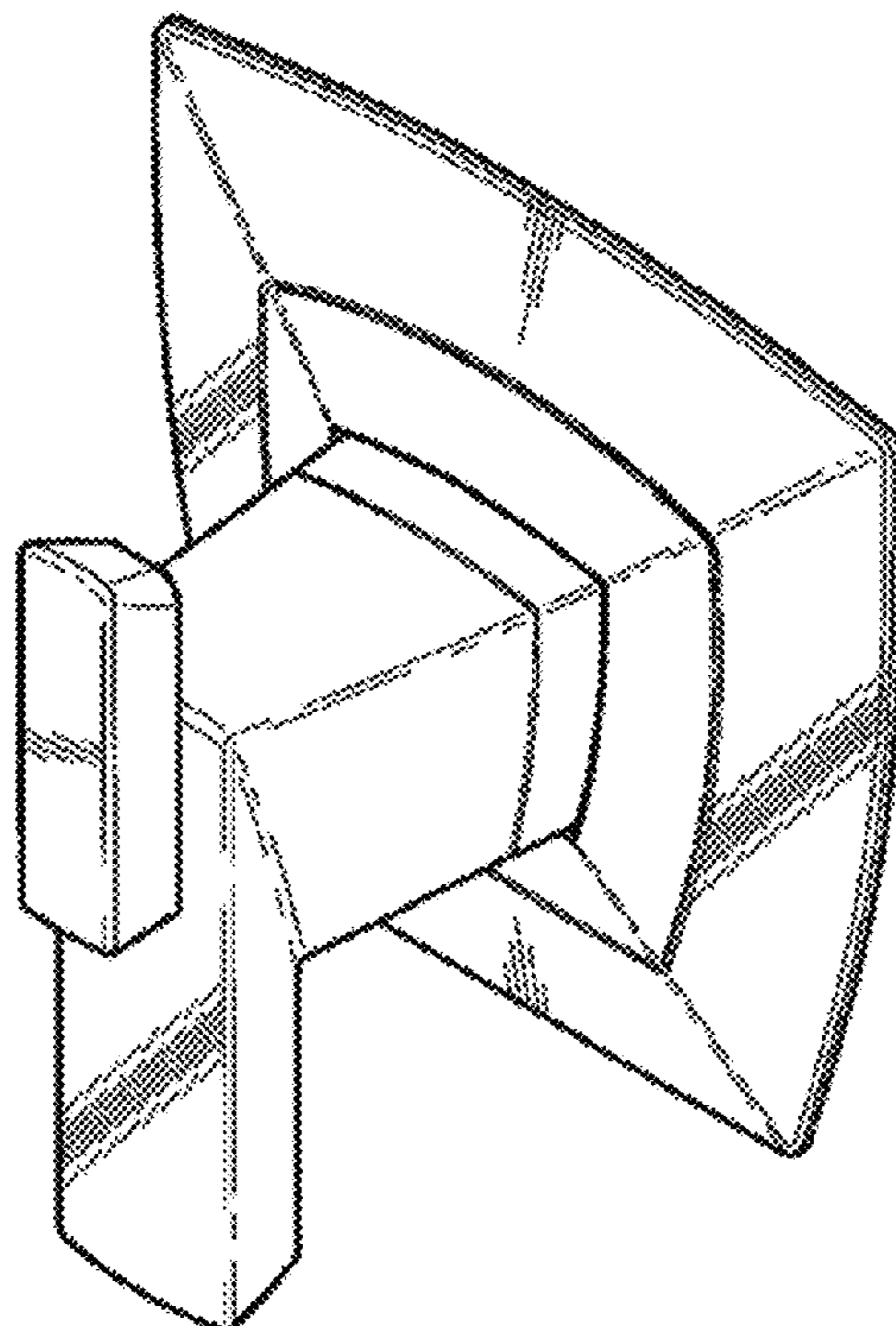
FIG. 4 is a left side view thereof, the opposite side being a mirror image of the side shown;

FIG. 5 is a rear view thereof; and,

FIG. 6 is a bottom view thereof.

The broken line showing a plumbing aperture opening is included for the purpose of illustrating a portion of the valve trim that forms no part of the claimed design.

**1 Claim, 2 Drawing Sheets**



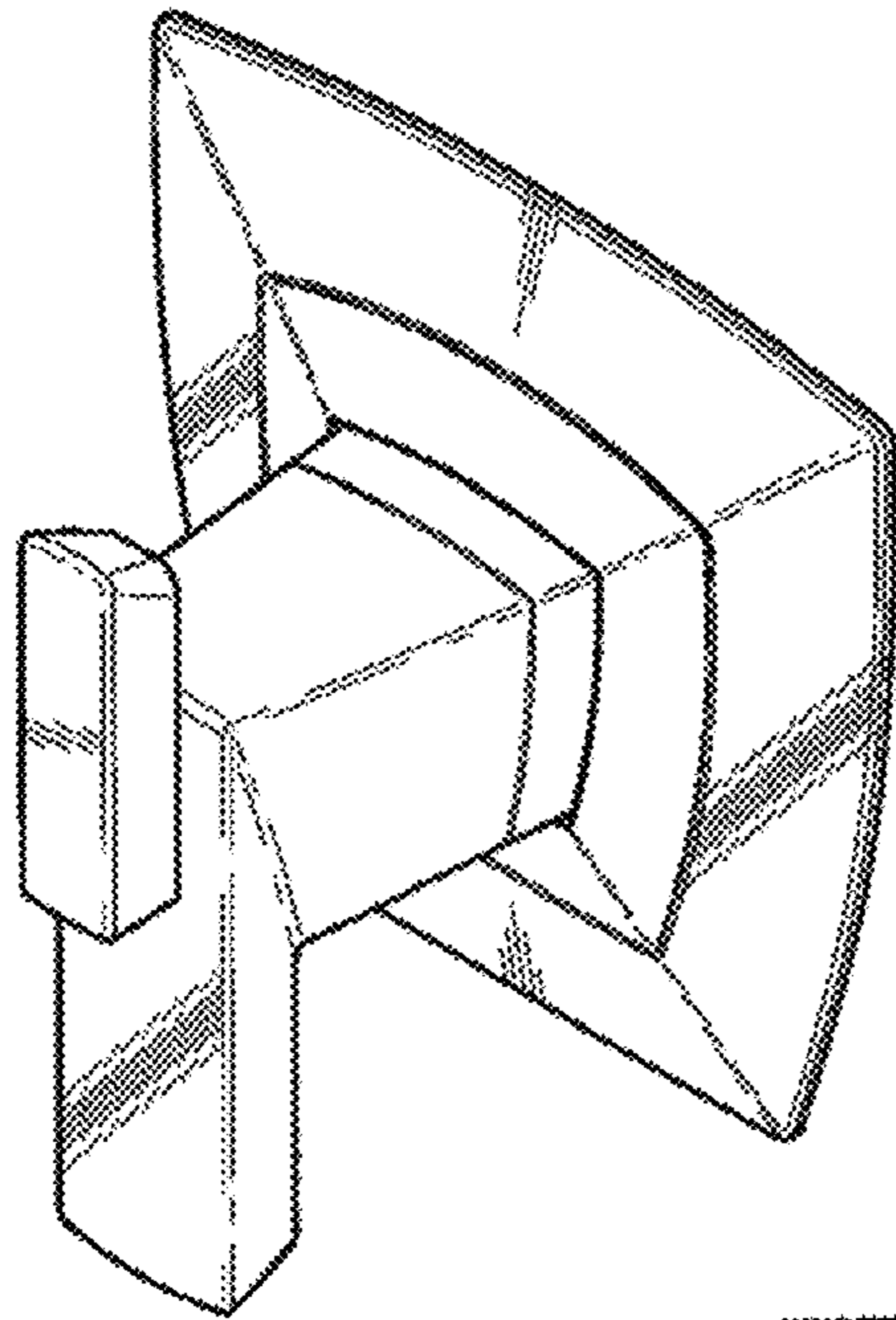


Fig-1

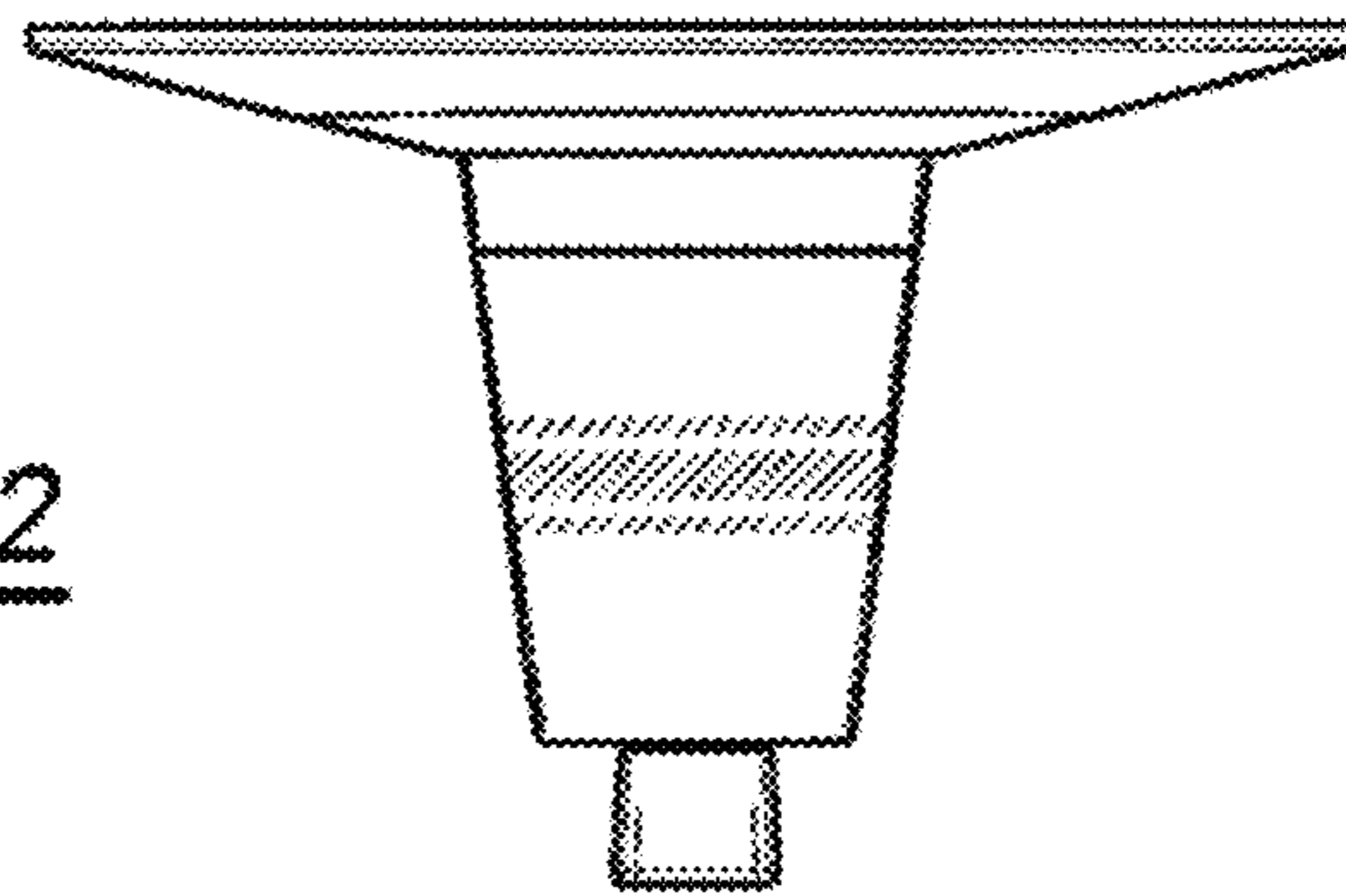


Fig-2

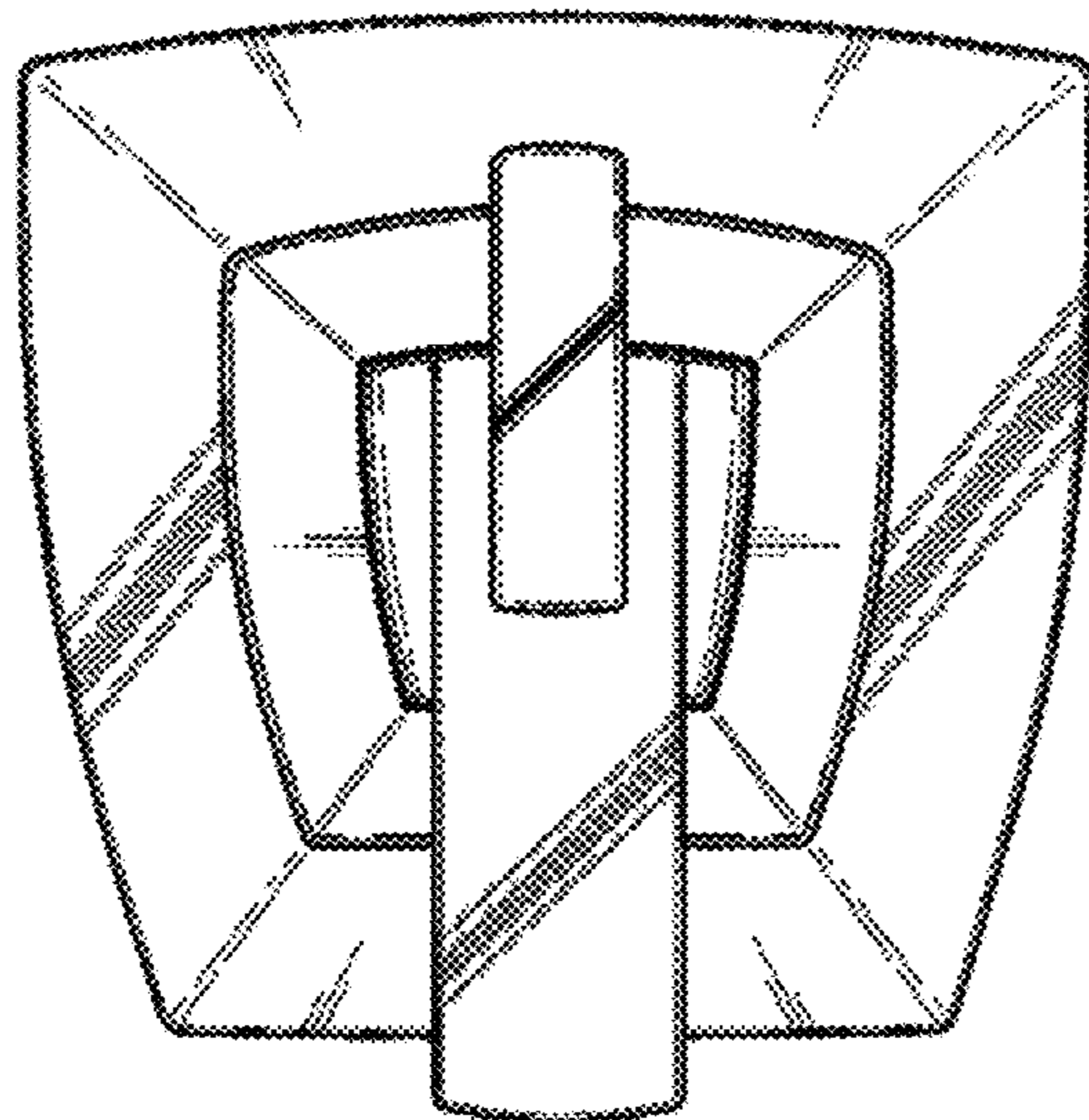


Fig-3

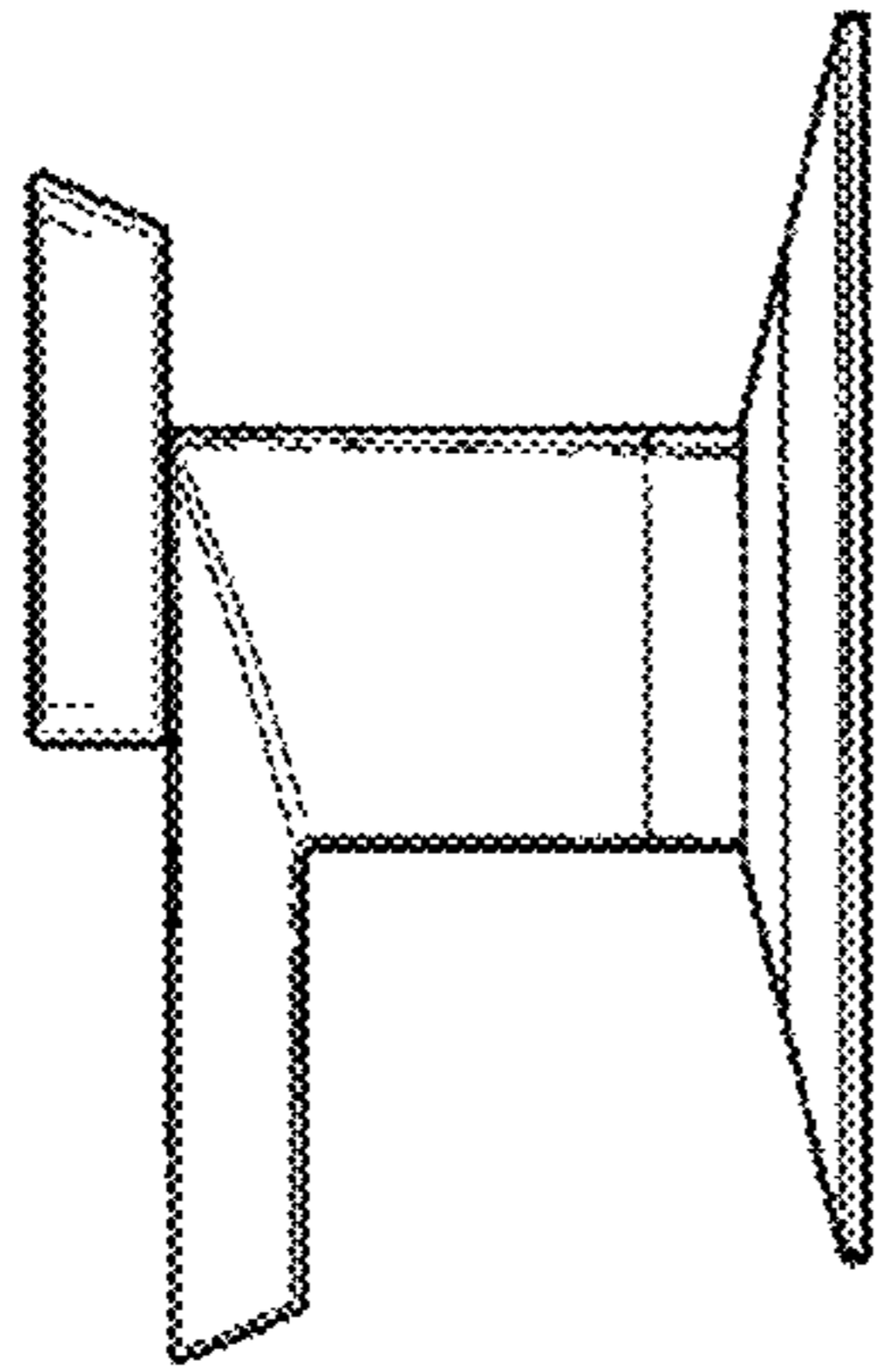


Fig-4

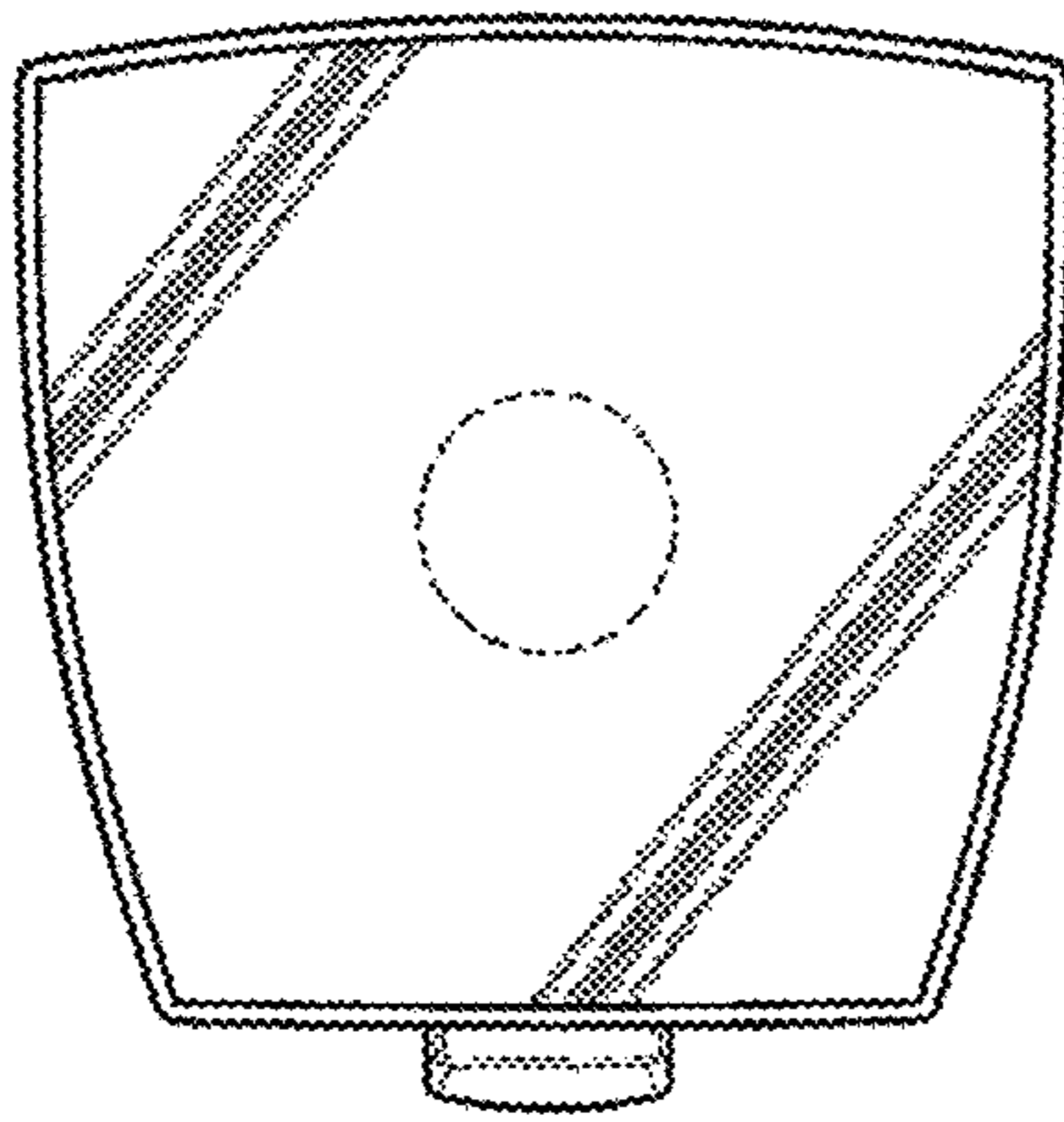


Fig-5

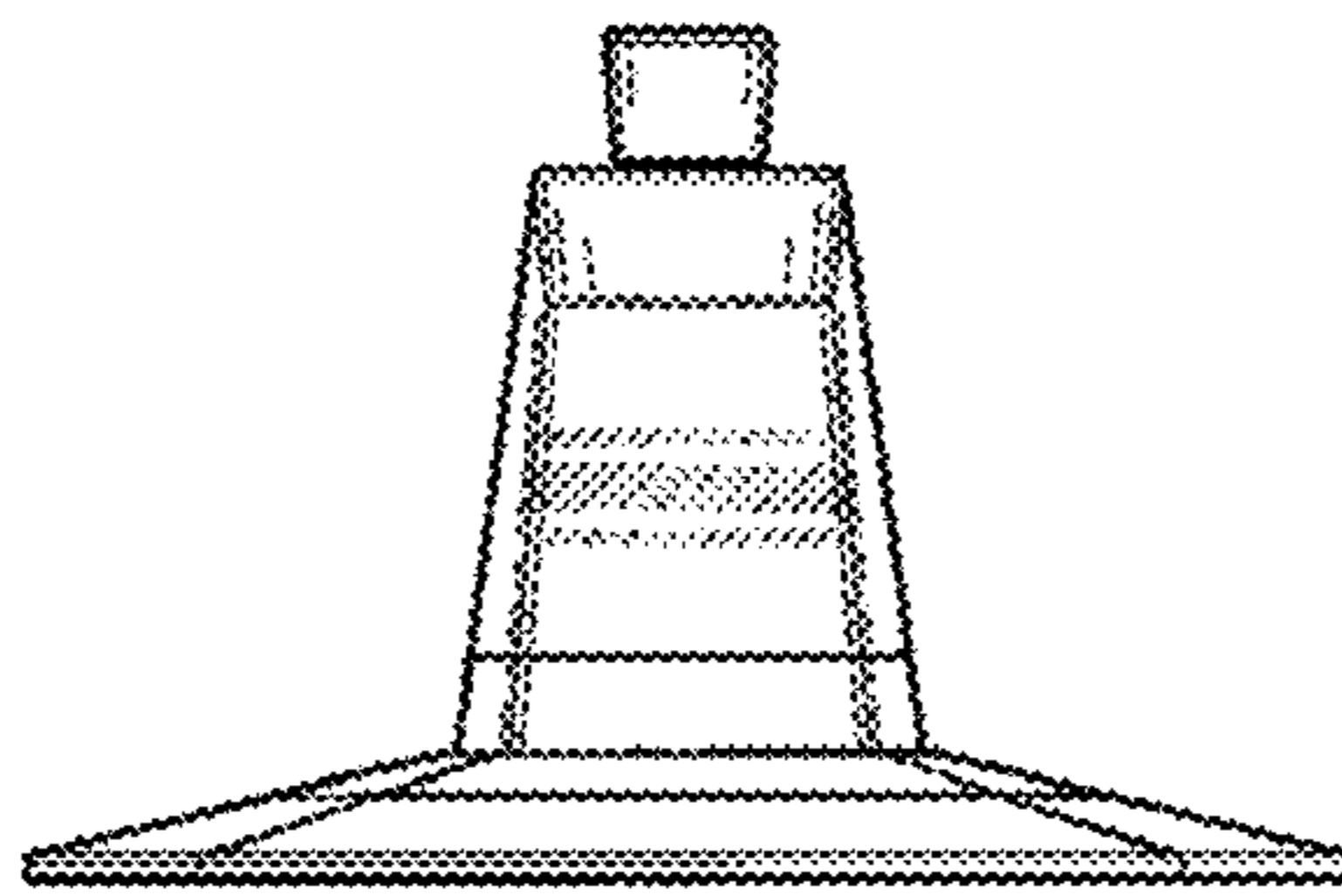


Fig-6