



US00D797894S

(12) **United States Design Patent**  
**Fritz**

(10) **Patent No.:** **US D797,894 S**

(45) **Date of Patent:** **\*\* Sep. 19, 2017**

(54) **FAUCET HANDLE**

(71) Applicant: **DELTA FAUCET COMPANY,**  
Indianapolis, IN (US)

(72) Inventor: **Seth Fritz,** Carmel, IN (US)

(73) Assignee: **DELTA FAUCET COMPANY,**  
Indianapolis, IN (US)

(\*\*) Term: **15 Years**

(21) Appl. No.: **29/555,213**

(22) Filed: **Feb. 19, 2016**

(51) **LOC (10) Cl.** ..... **23-01**

(52) **U.S. Cl.**  
USPC ..... **D23/252**

(58) **Field of Classification Search**  
USPC ..... D23/238, 249–250, 252, 254;  
D8/307–308, 310, 363  
CPC . E03C 1/00; E03C 1/0404; E03C 1/02; E03C  
1/021  
See application file for complete search history.

(56) **References Cited**

**U.S. PATENT DOCUMENTS**

D357,305 S \* 4/1995 Fabian ..... D23/252  
D591,835 S \* 5/2009 Williams ..... D23/252

D624,990 S \* 10/2010 Joerger ..... D23/242  
D660,943 S \* 5/2012 Georgeson ..... D23/252  
D681,166 S \* 4/2013 Romero ..... D23/238  
D735,562 S \* 8/2015 Cahill ..... D8/363

\* cited by examiner

*Primary Examiner* — Robert Delehanty

(74) *Attorney, Agent, or Firm* — Edgar A. Zarins; Nirav  
D. Parikh

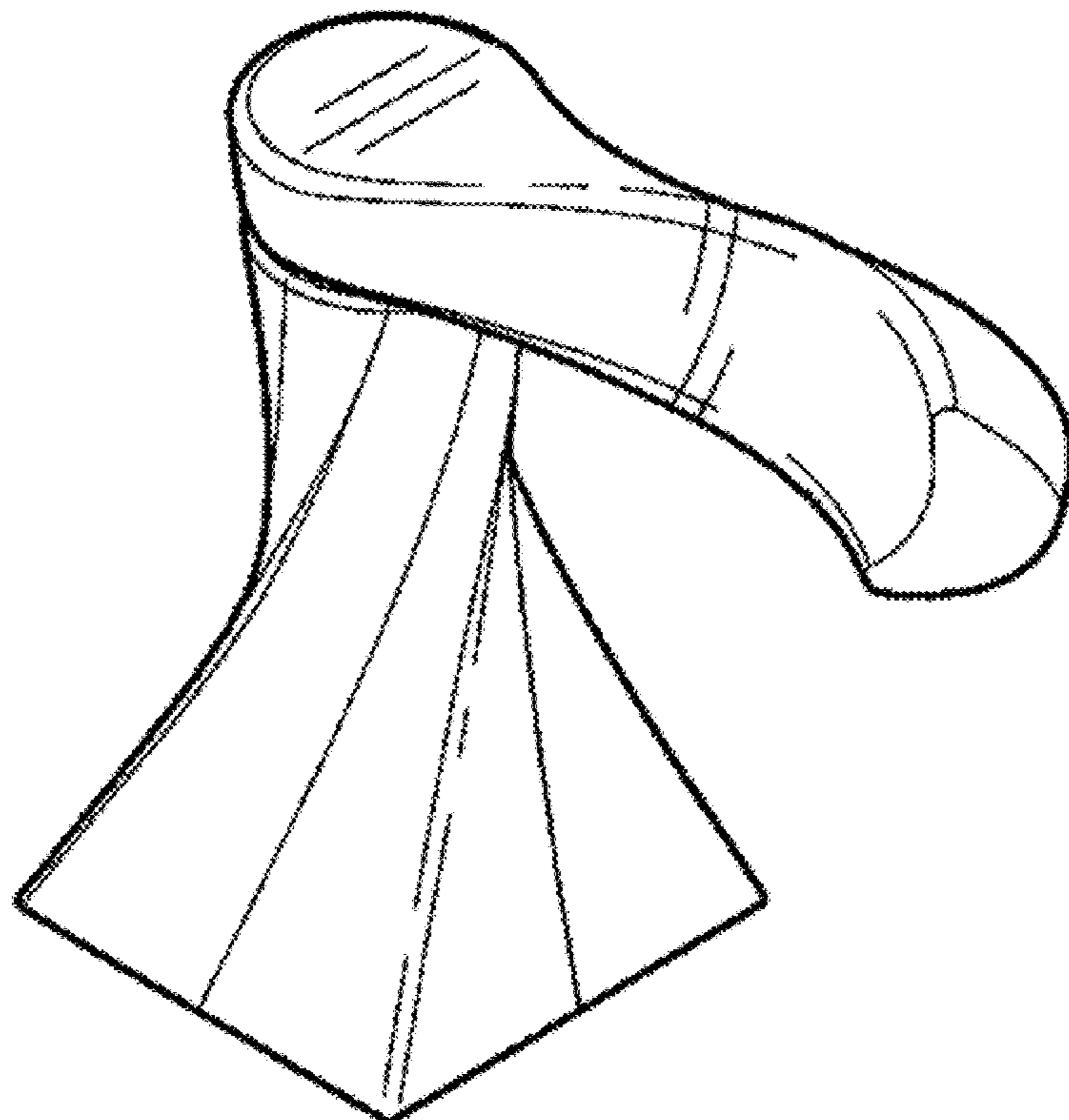
(57) **CLAIM**

The ornamental design for a faucet handle, as shown and described.

**DESCRIPTION**

FIG. 1 is a perspective view of a faucet handle showing my new design;  
FIG. 2 is a first side view thereof;  
FIG. 3 is a second side view thereof;  
FIG. 4 is an end view thereof;  
FIG. 5 is a top plan view thereof; and,  
FIG. 6 is a bottom view thereof.  
The broken lines shown in FIG. 6 of the drawings are included for the purposes of illustrating a portion of the faucet that forms no part of the claimed design.

**1 Claim, 1 Drawing Sheet**



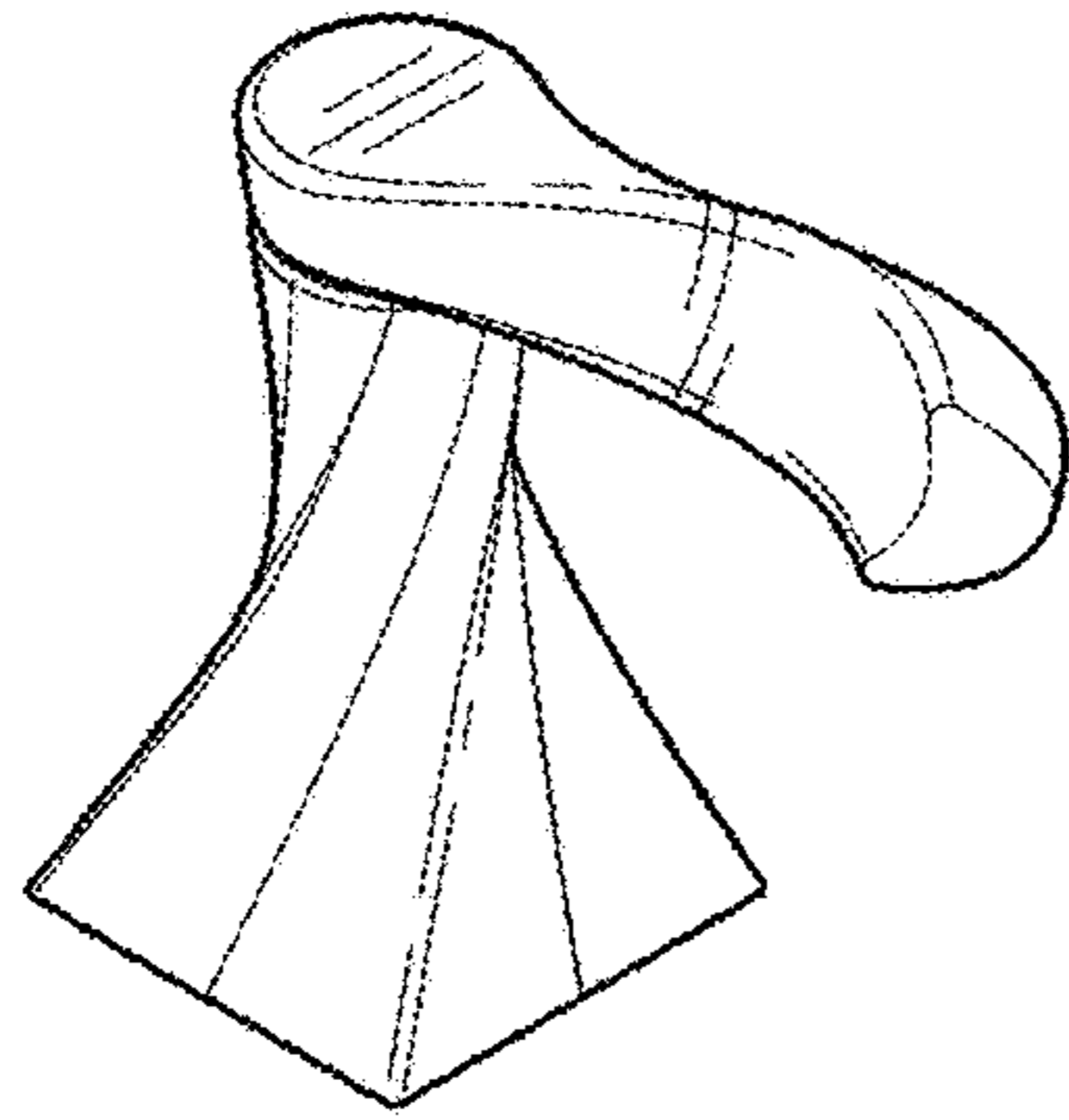


Fig-1

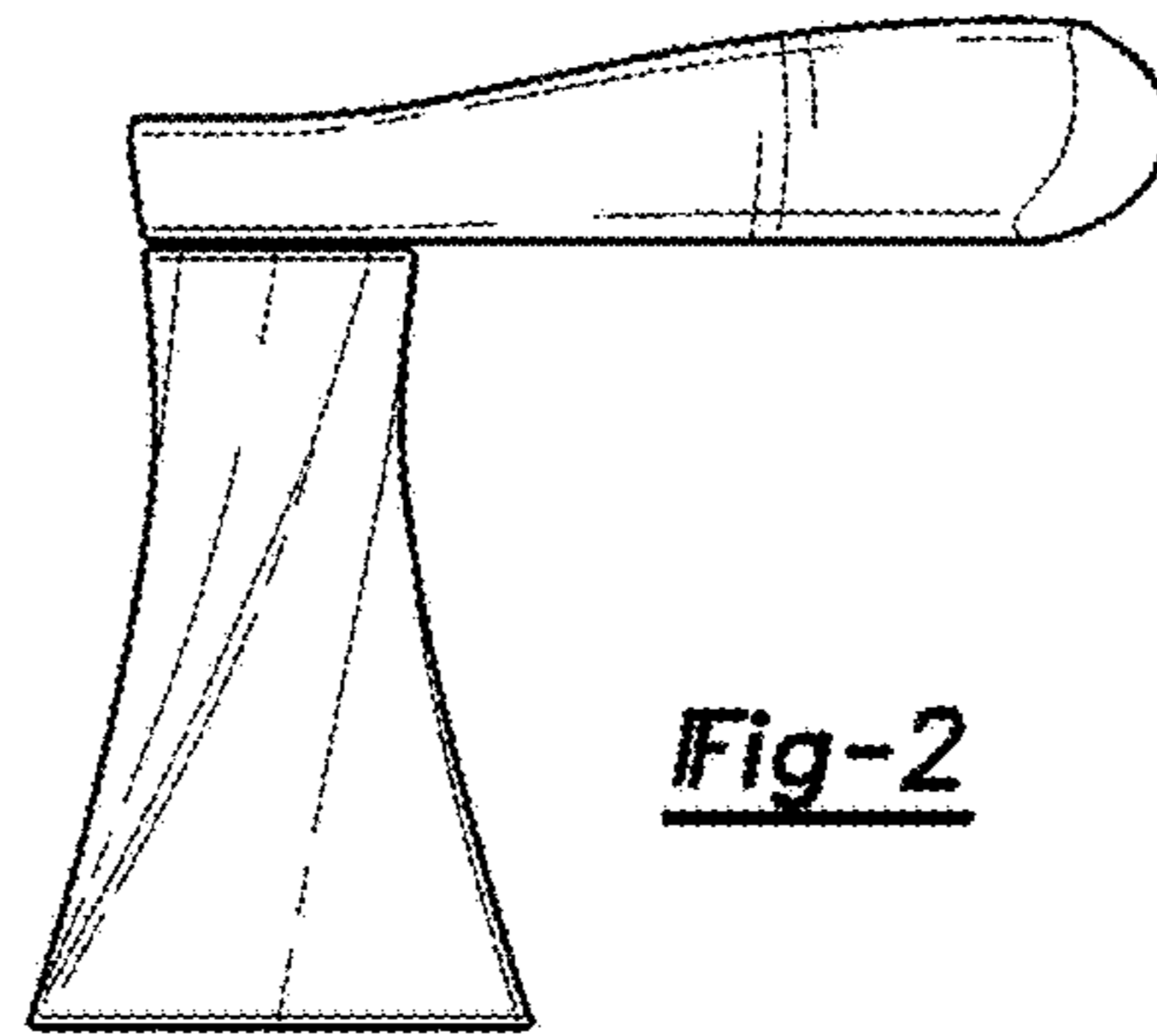


Fig-2

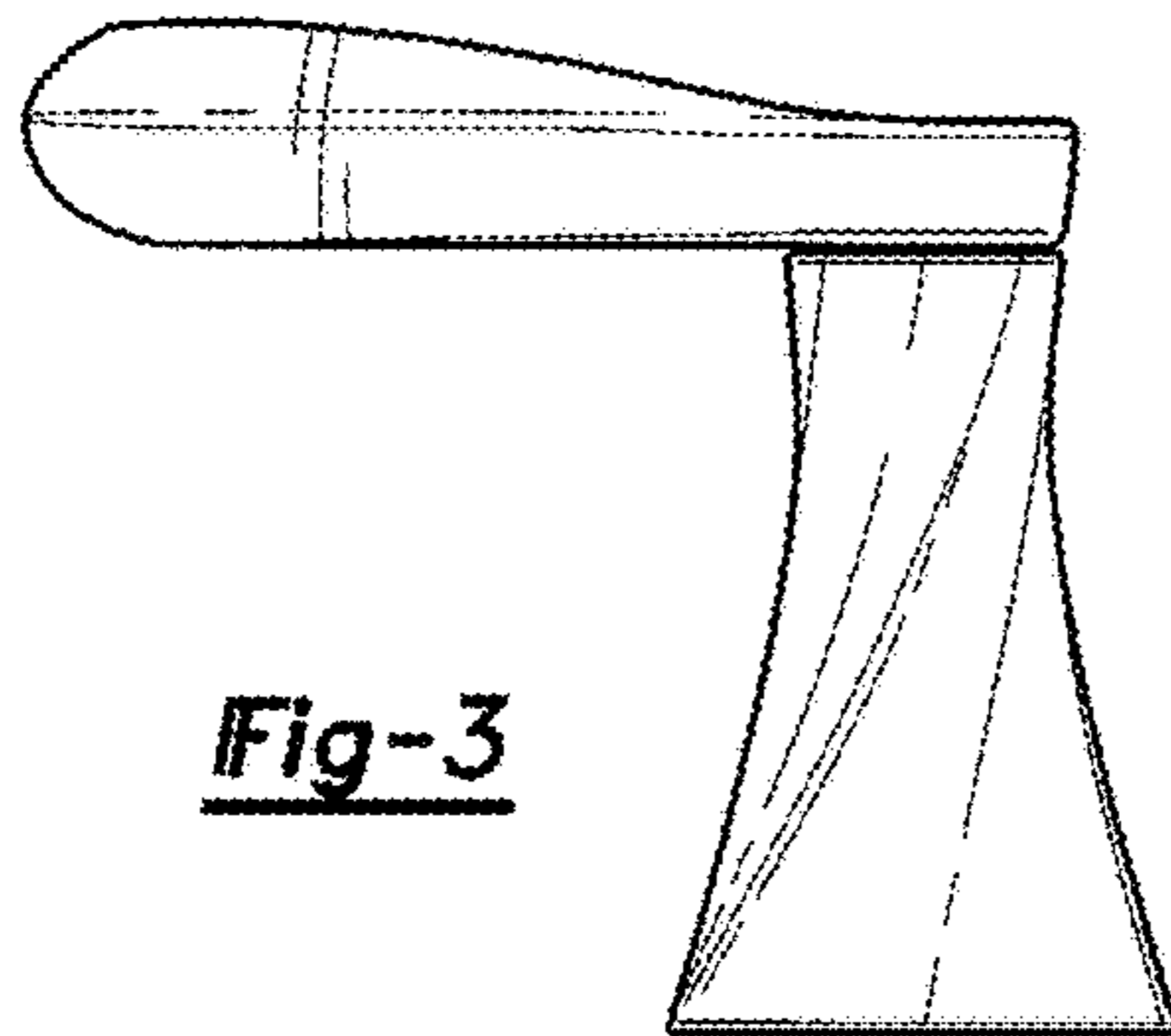


Fig-3

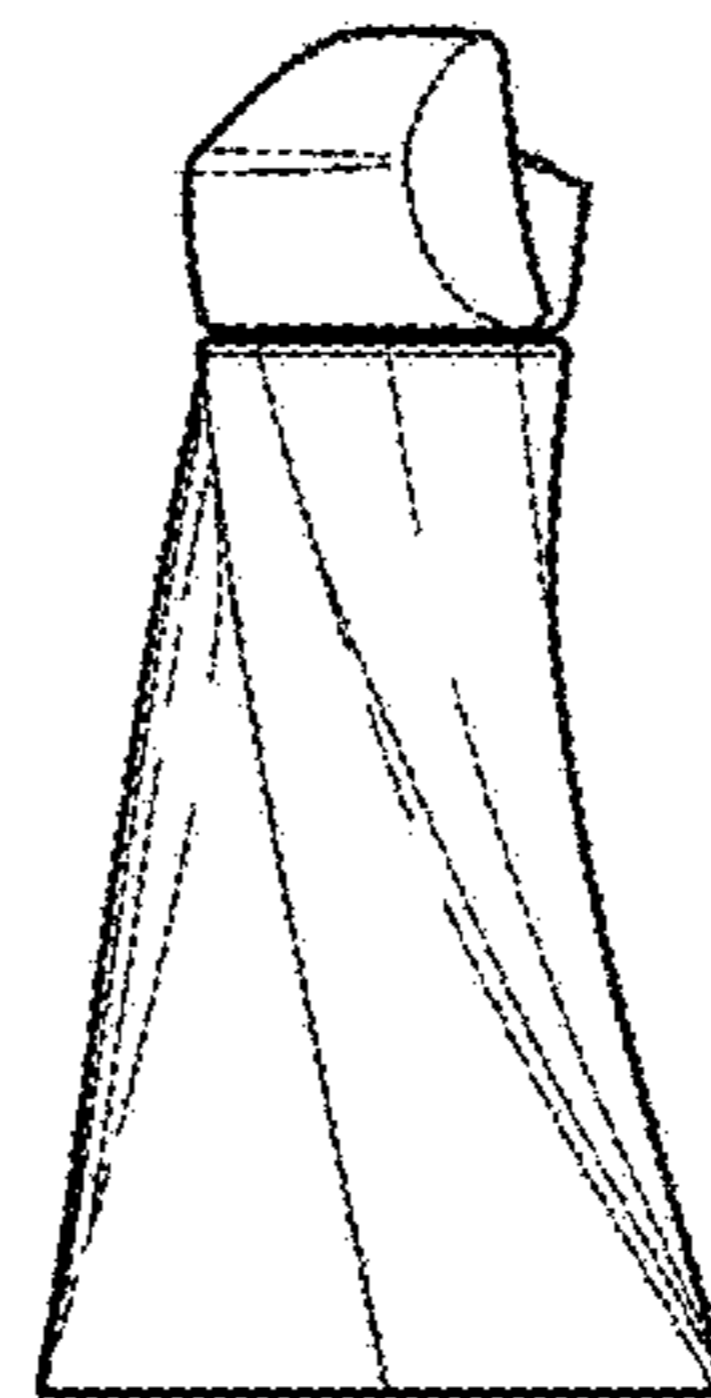


Fig-4

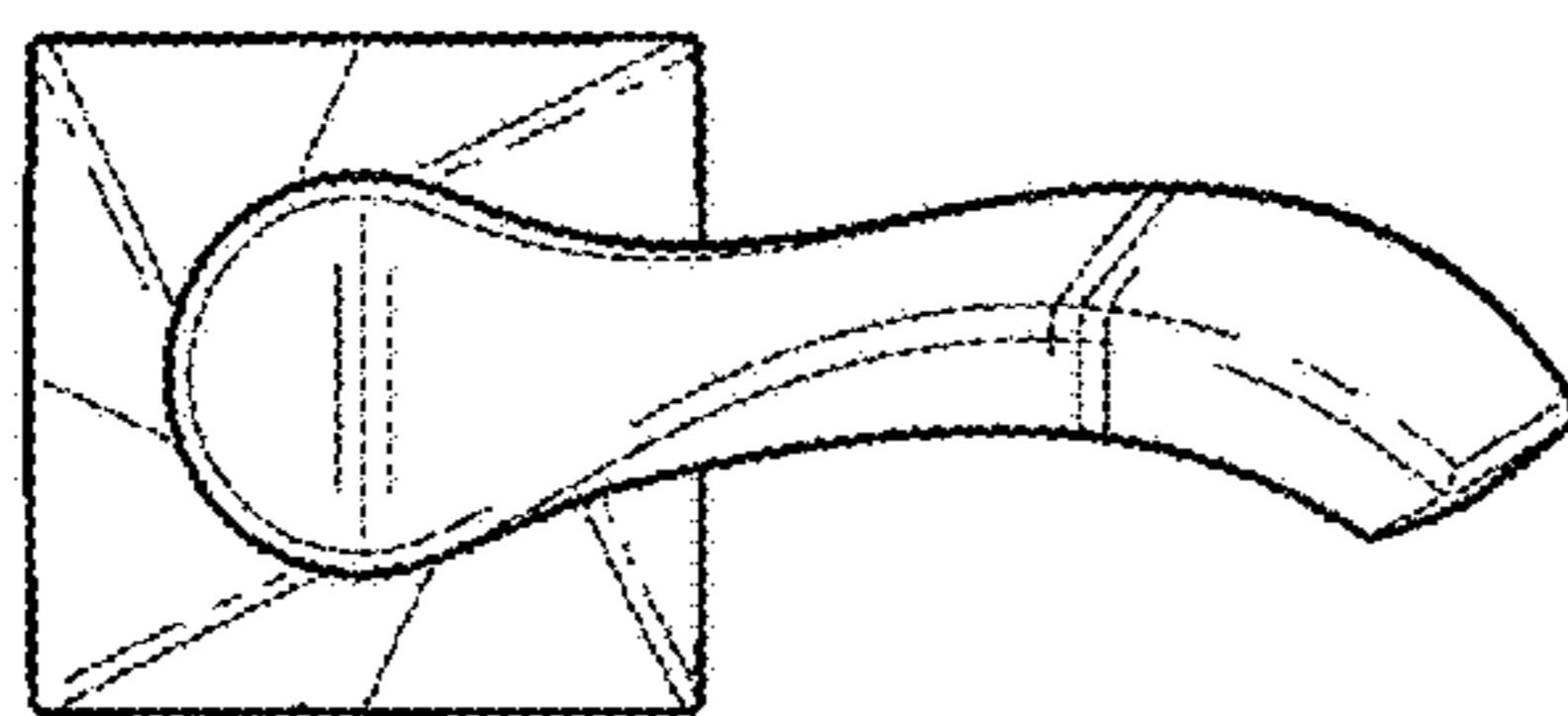


Fig-5

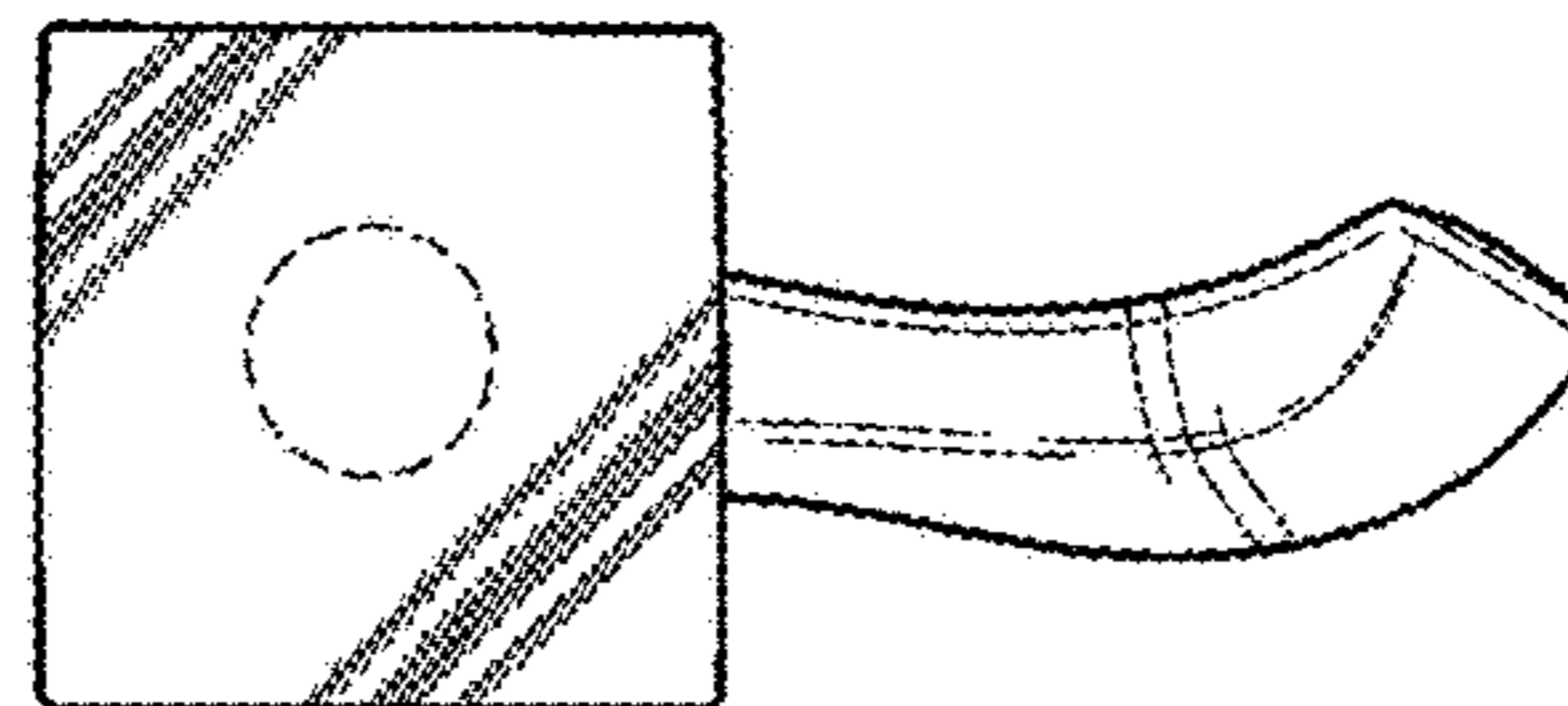


Fig-6