



US00D797893S

(12) **United States Design Patent** (10) **Patent No.:** **US D797,893 S**
Fritz (45) **Date of Patent:** **** Sep. 19, 2017**

(54) **FAUCET**
(71) Applicant: **DELTA FAUCET COMPANY,**
Indianapolis, IN (US)
(72) Inventor: **Seth Fritz,** Carmel, IN (US)
(73) Assignee: **DELTA FAUCET COMPANY,**
Indianapolis, IN (US)
(**) Term: **15 Years**
(21) Appl. No.: **29/555,208**
(22) Filed: **Feb. 19, 2016**
(51) **LOC (10) Cl.** **23-01**
(52) **U.S. Cl.**
USPC **D23/242**
(58) **Field of Classification Search**
USPC D23/238–243, 249–250, 252, 254–255,
D23/257
CPC . E03C 1/00; E03C 1/0404; E03C 1/02; E03C
1/021; E03C 1/0401; E03C 1/04; E03C
1/0402
See application file for complete search history.

D591,835 S * 5/2009 Williams D23/252
D624,990 S * 10/2010 Joeger D23/242
D660,943 S * 5/2012 Georgeson D23/252
D681,166 S * 4/2013 Romero D23/238
D724,184 S * 3/2015 Cahill D23/255
D735,562 S * 8/2015 Cahill D8/363
D773,615 S * 12/2016 Potter D23/242

* cited by examiner

Primary Examiner — Robert Delehanty

(74) *Attorney, Agent, or Firm* — Edgar A. Zarins; Nirav D. Parikh

(57) **CLAIM**

The ornamental design for a faucet, as shown and described.

DESCRIPTION

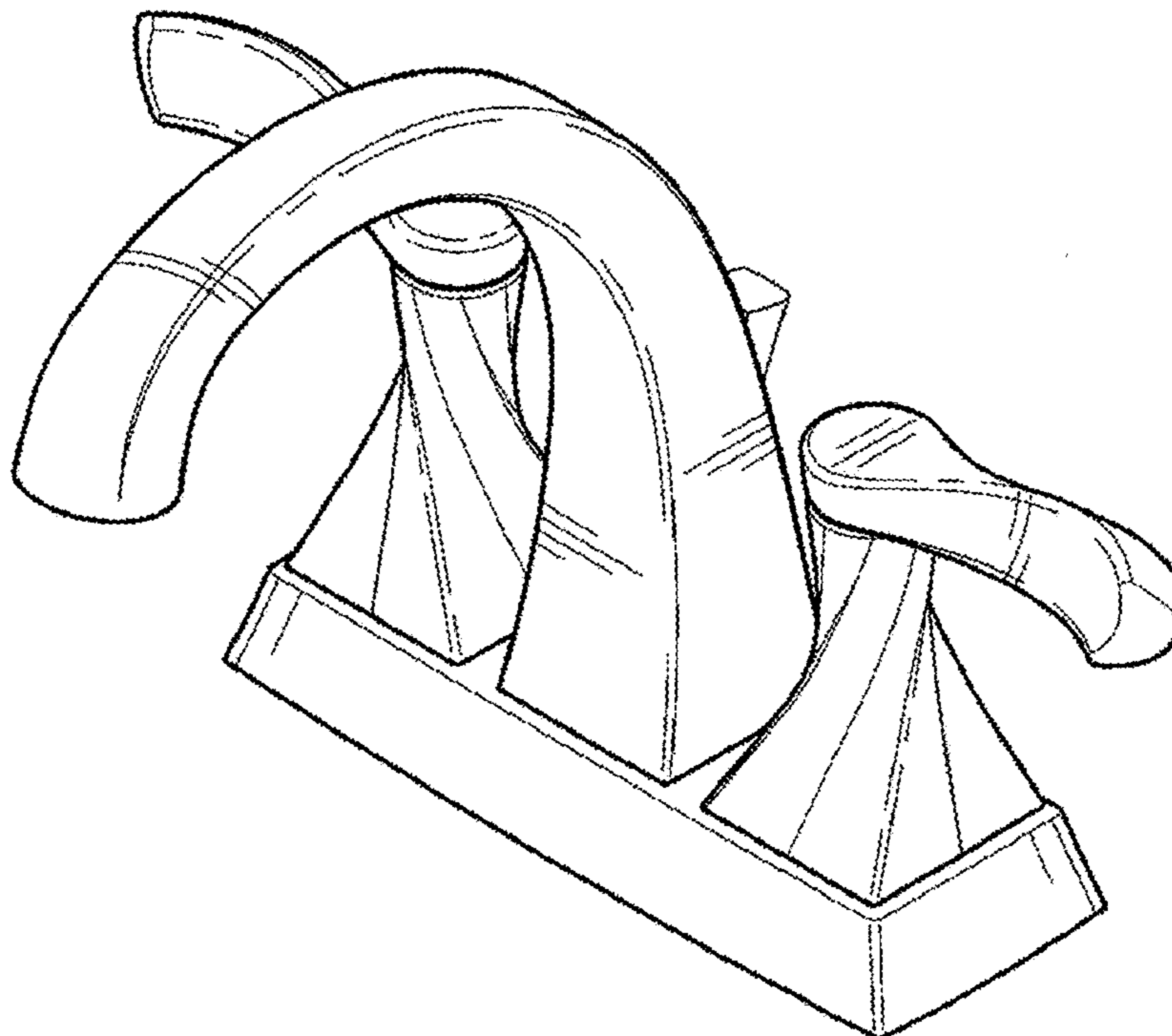
FIG. 1 is a perspective view of a faucet showing my new design;
FIG. 2 is a front elevational view thereof;
FIG. 3 is a right side view thereof, the opposite side being a mirror image of the side shown;
FIG. 4 is a rear view thereof;
FIG. 5 is a top plan view thereof; and,
FIG. 6 is a bottom view thereof.
The broken lines shown in FIG. 6 of the drawings are included for the purposes of illustrating a portion of the faucet that forms no part of the claimed design.

1 Claim, 3 Drawing Sheets

(56) **References Cited**

U.S. PATENT DOCUMENTS

D357,305 S * 4/1995 Fabian D23/252
D577,422 S * 9/2008 Williams D23/241



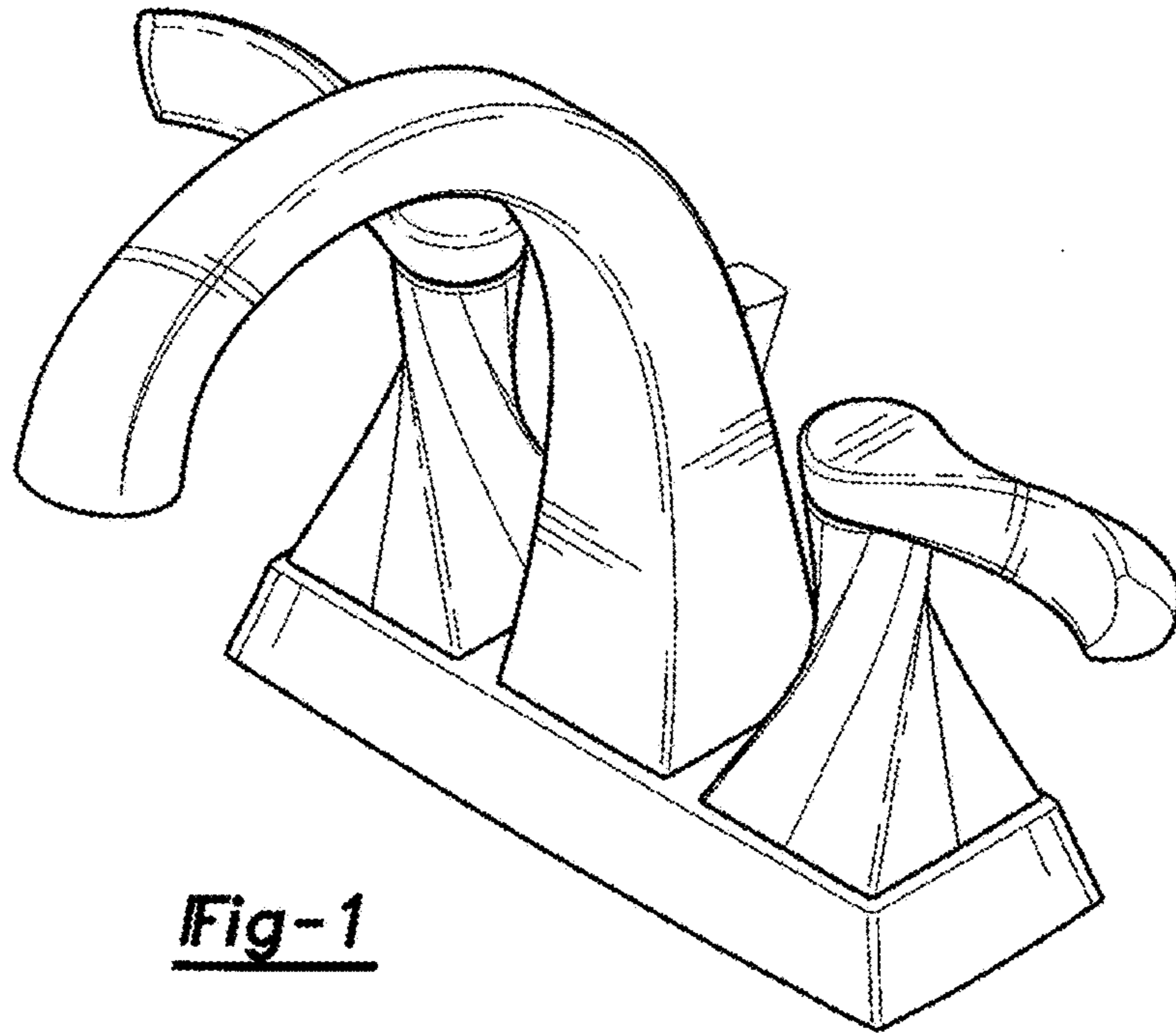


Fig-1

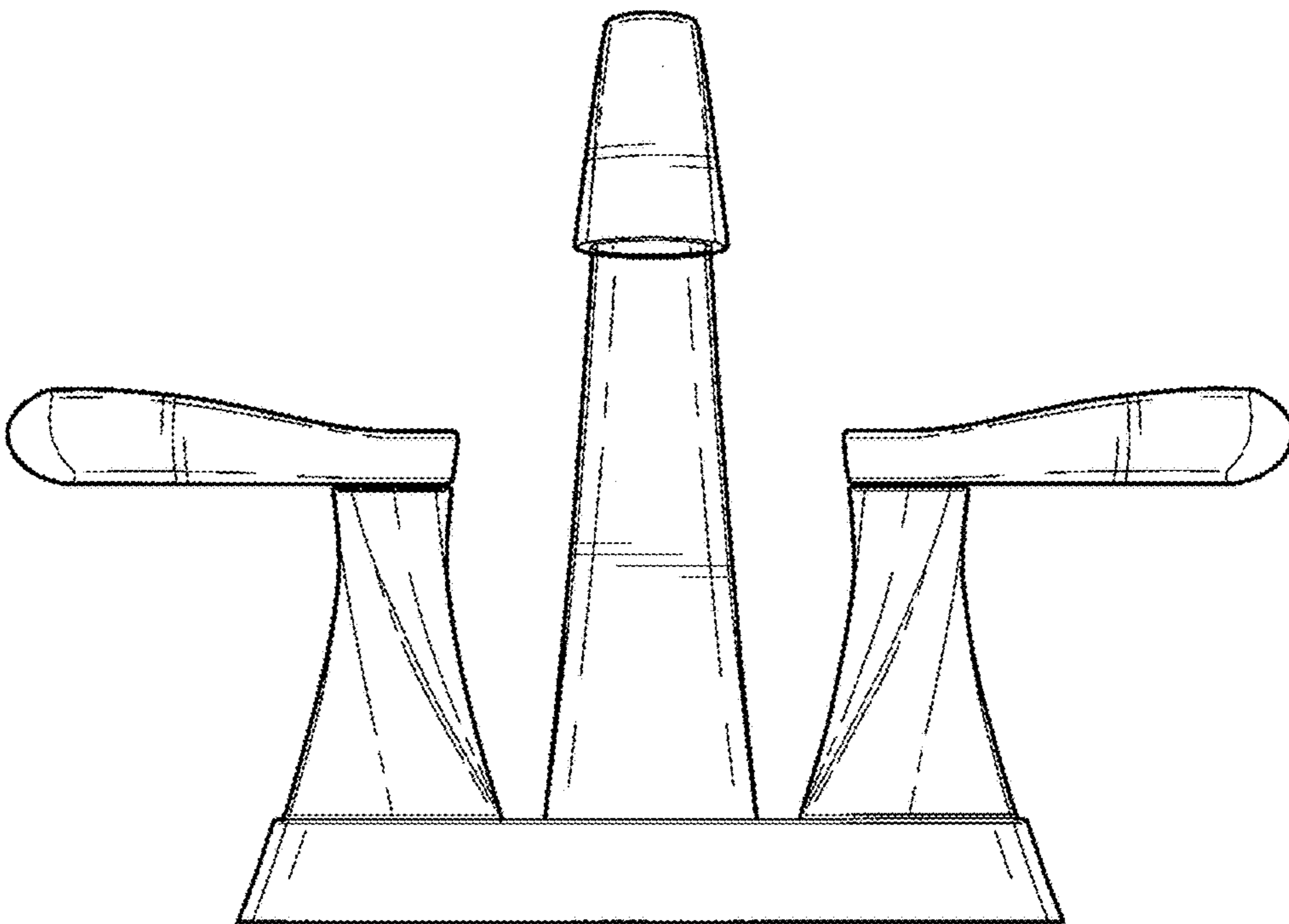


Fig-2

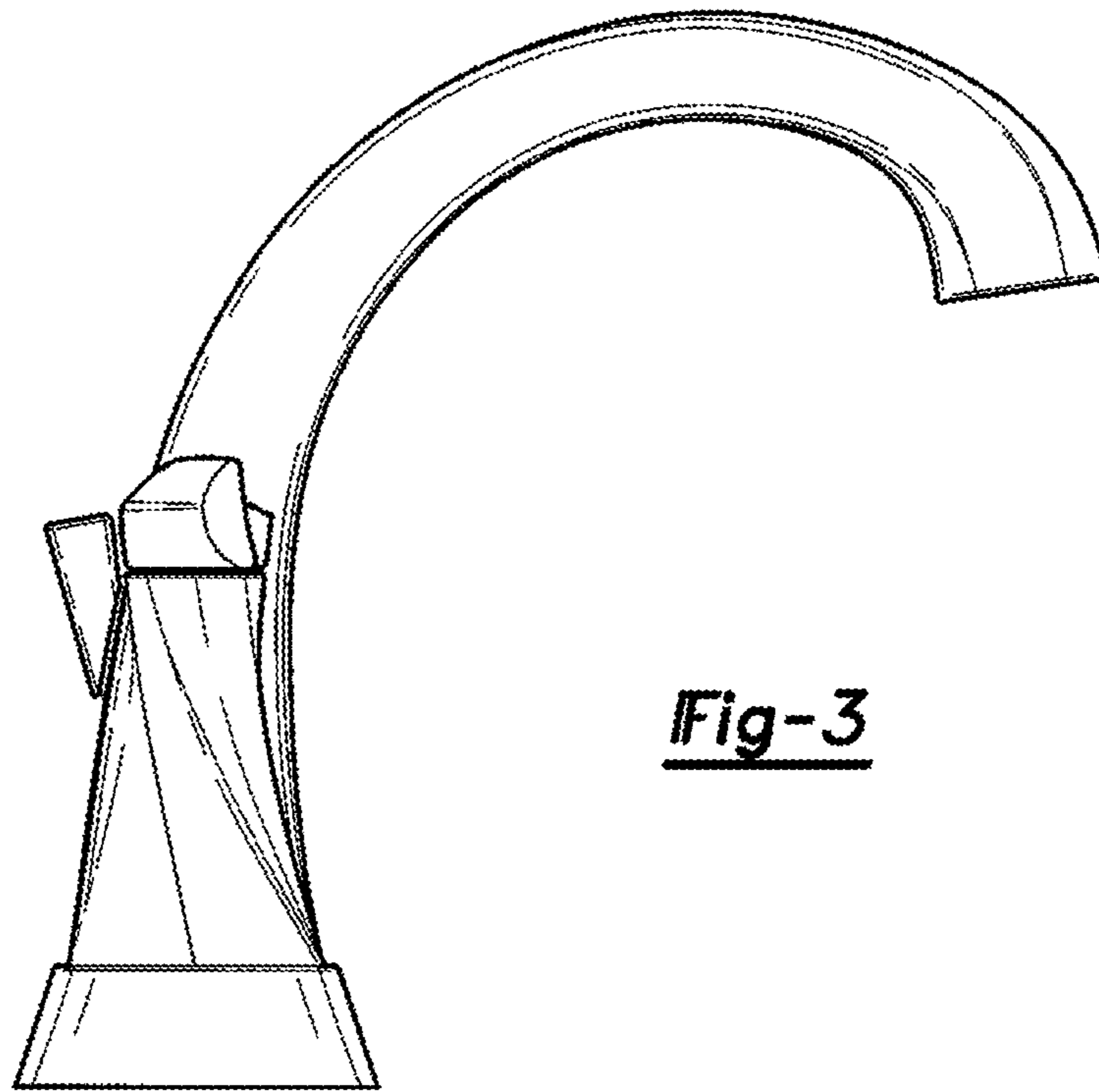


Fig-3

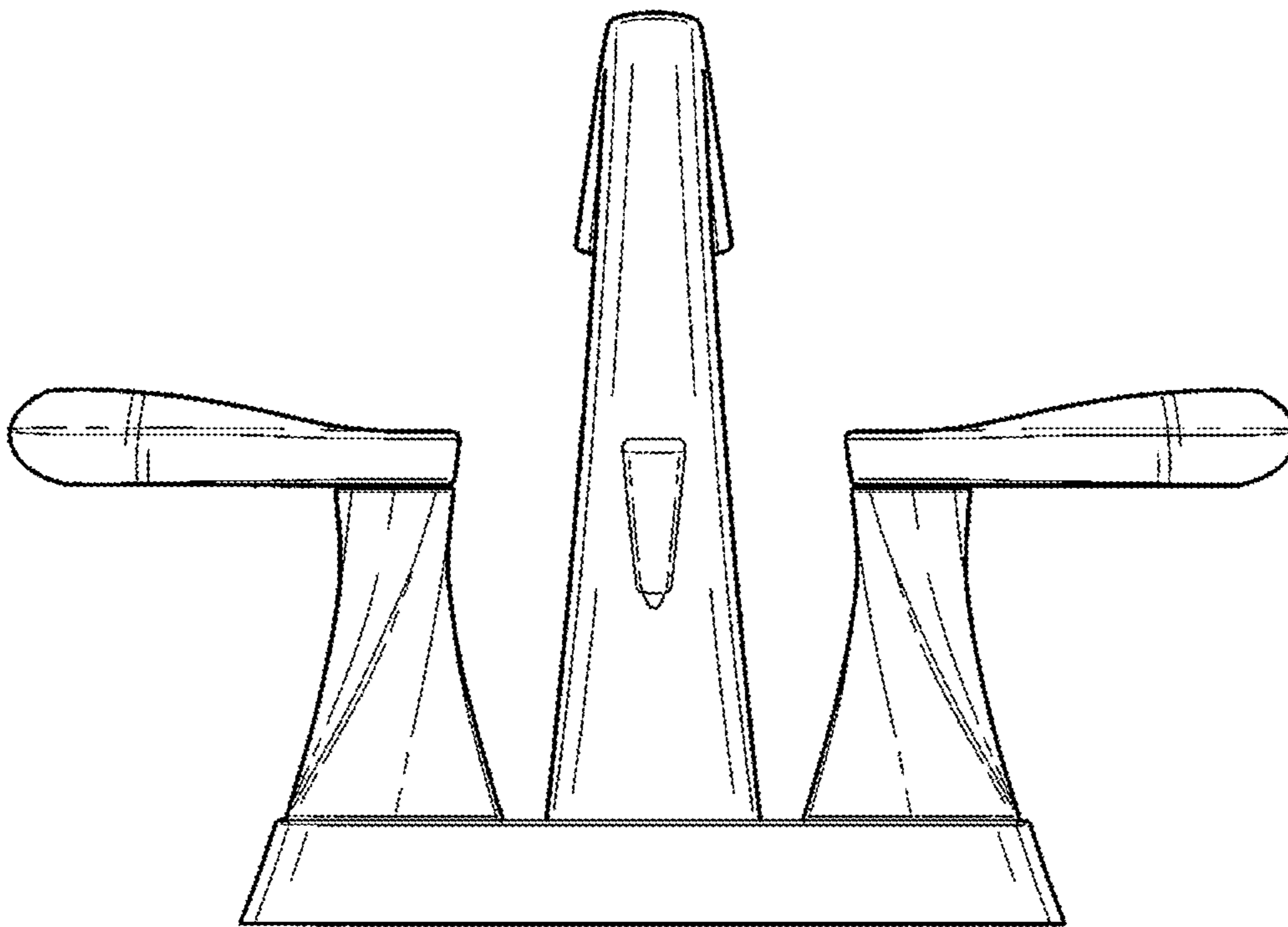


Fig-4

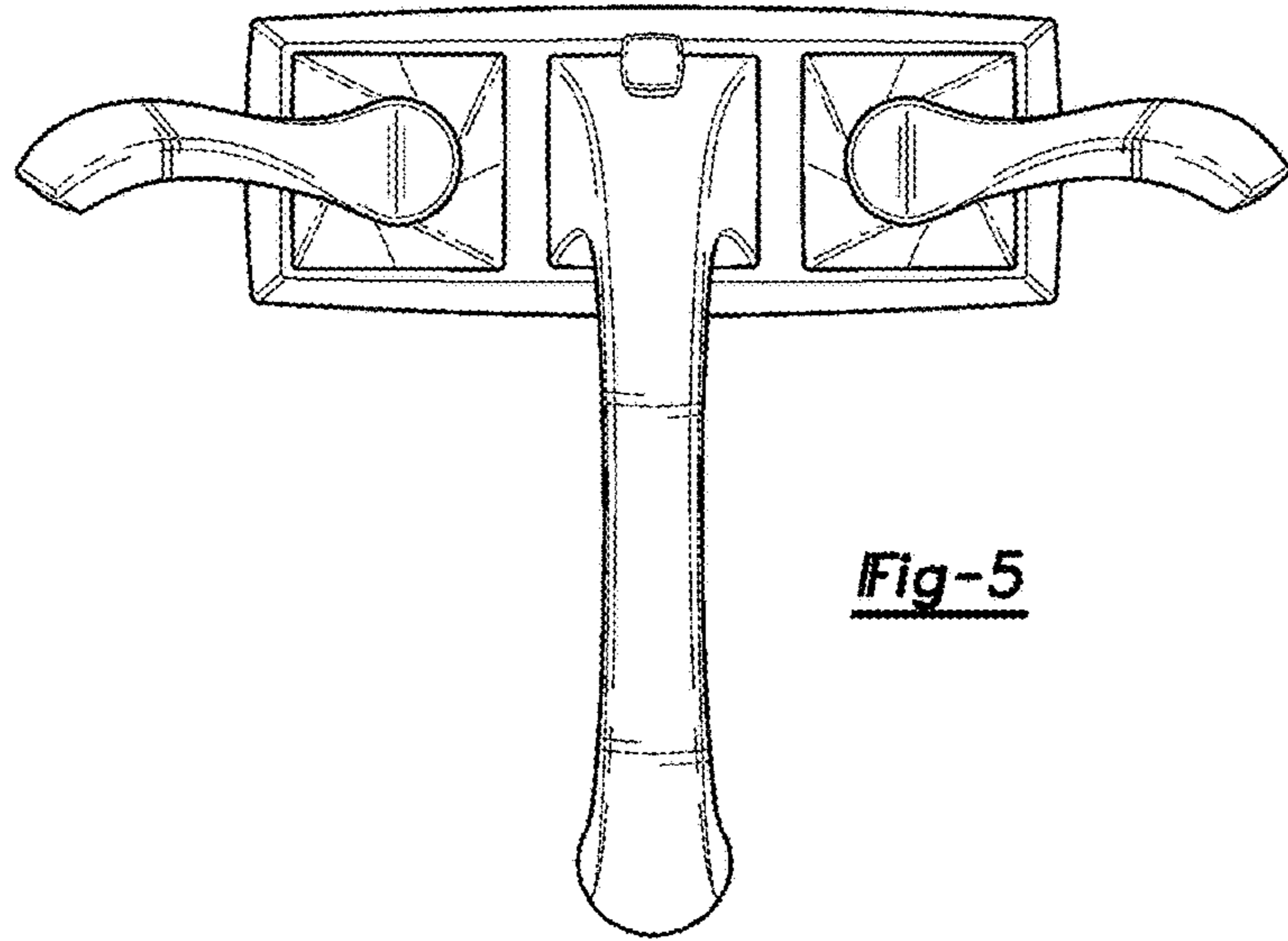


Fig-5

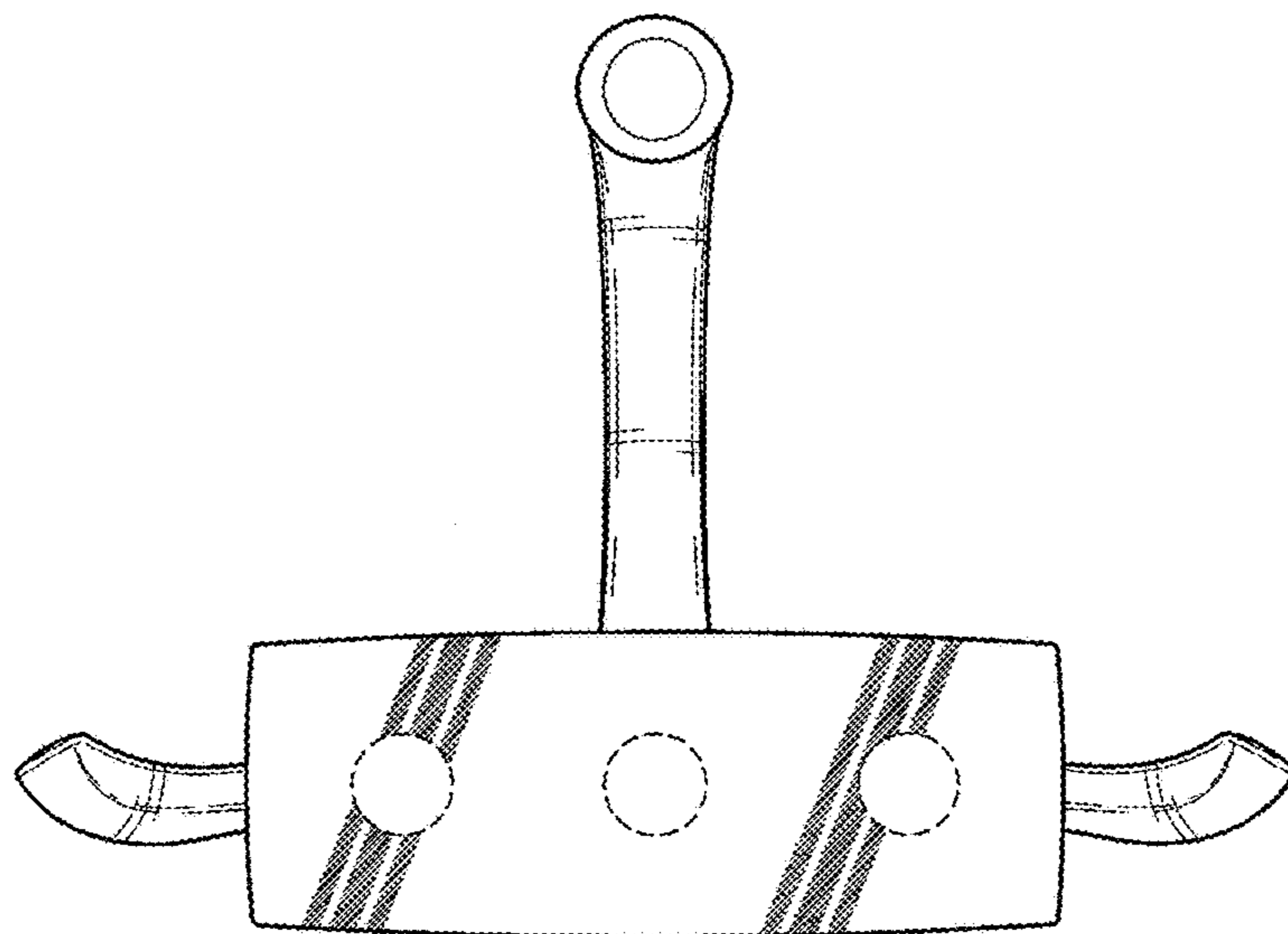


Fig-6