



US00D797891S

(12) **United States Design Patent** (10) **Patent No.:** **US D797,891 S**
Wang (45) **Date of Patent:** **** Sep. 19, 2017**

(54) **WATER SPRAY BASE FOR FIREFIGHTING**
 (71) Applicant: **Wen Chang Wang**, Tainan (TW)
 (72) Inventor: **Wen Chang Wang**, Tainan (TW)
 (**) Term: **15 Years**
 (21) Appl. No.: **29/562,565**
 (22) Filed: **Apr. 27, 2016**
 (51) **LOC (10) Cl.** **23-01**
 (52) **U.S. Cl.**
 USPC **D23/214; D23/221**
 (58) **Field of Classification Search**
 USPC D23/232, 223, 226, 228, 213, 214, 221,
 D23/224–225, 227, 229–230
 CPC B05B 7/02; B05B 7/2478; B05B 15/0258;
 B05B 15/005; B05B 9/01; A62C 31/28;
 A62C 33/04
 See application file for complete search history.

5,425,505 A * 6/1995 Jones A62C 31/28
 169/52
 6,003,163 A * 12/1999 Celeste E04H 4/1272
 4/490
 D567,903 S * 4/2008 Rigolio D23/226
 9,038,928 B2 * 5/2015 Ye B05B 9/01
 239/526
 2006/0237558 A1 * 10/2006 Lee B08B 3/026
 239/171
 2006/0273202 A1 * 12/2006 Su B05B 3/06
 239/394
 2007/0278787 A1 * 12/2007 Jones B05B 9/01
 285/45
 2010/0090025 A1 * 4/2010 Gerard A62C 31/28
 239/204
 2012/0153067 A1 * 6/2012 Motoji A62C 33/04
 242/415.1
 2013/0043326 A1 * 2/2013 Muff A01C 23/028
 239/159

* cited by examiner

Primary Examiner — Robin V Webster
Assistant Examiner — Rachel Voorhies
 (74) *Attorney, Agent, or Firm* — Alan D. Kamrath;
 Kamrath IP Lawfirm, P.A.

(56) **References Cited**

U.S. PATENT DOCUMENTS

388,788 A * 8/1888 Prescott A62C 31/28
 15/144.1
 1,674,493 A * 6/1928 Adams A62C 31/28
 248/168
 1,674,693 A * 6/1928 MacGregor A62C 31/28
 239/276
 1,721,449 A * 7/1929 Helmeke A62C 31/28
 239/532
 1,748,885 A * 2/1930 Lally A62C 31/28
 248/49
 1,806,074 A * 5/1931 MacGregor A62C 31/28
 248/170
 1,829,621 A * 10/1931 Whiteford A62C 31/28
 239/276
 2,848,012 A * 8/1958 Scott A62C 31/28
 137/342
 D257,878 S * 1/1981 Schwartz D23/232

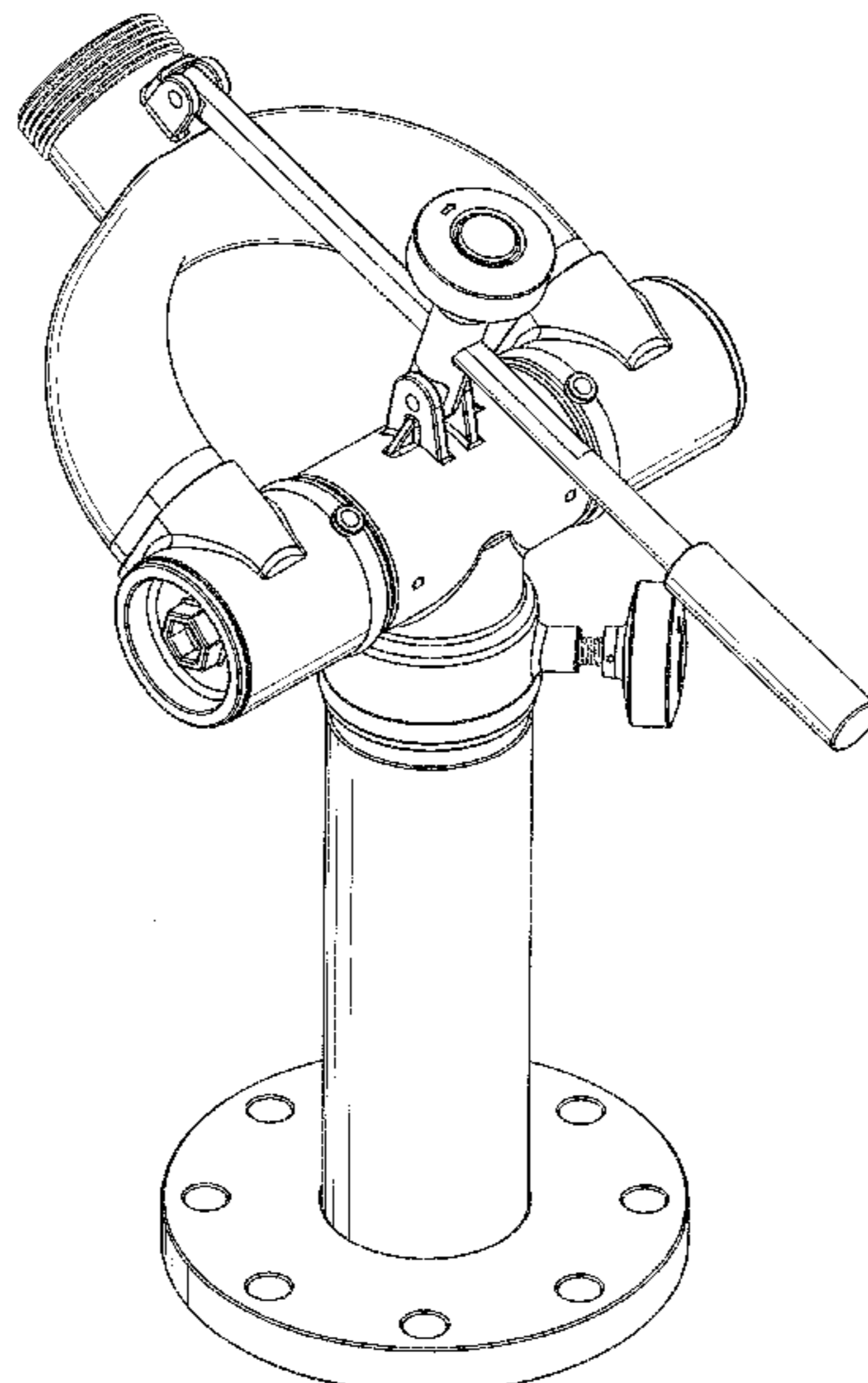
(57) **CLAIM**

The ornamental design for a water spray base for firefighting, as shown and described.

DESCRIPTION

FIG. 1 is a perspective view of the water spray base for firefighting showing my new design;
 FIG. 2 is a front elevational view thereof;
 FIG. 3 is a rear elevational view thereof;
 FIG. 4 is a left side elevational view thereof;
 FIG. 5 is a right side elevational view thereof;
 FIG. 6 is a top plan view thereof; and,
 FIG. 7 is a bottom plan view.

1 Claim, 7 Drawing Sheets



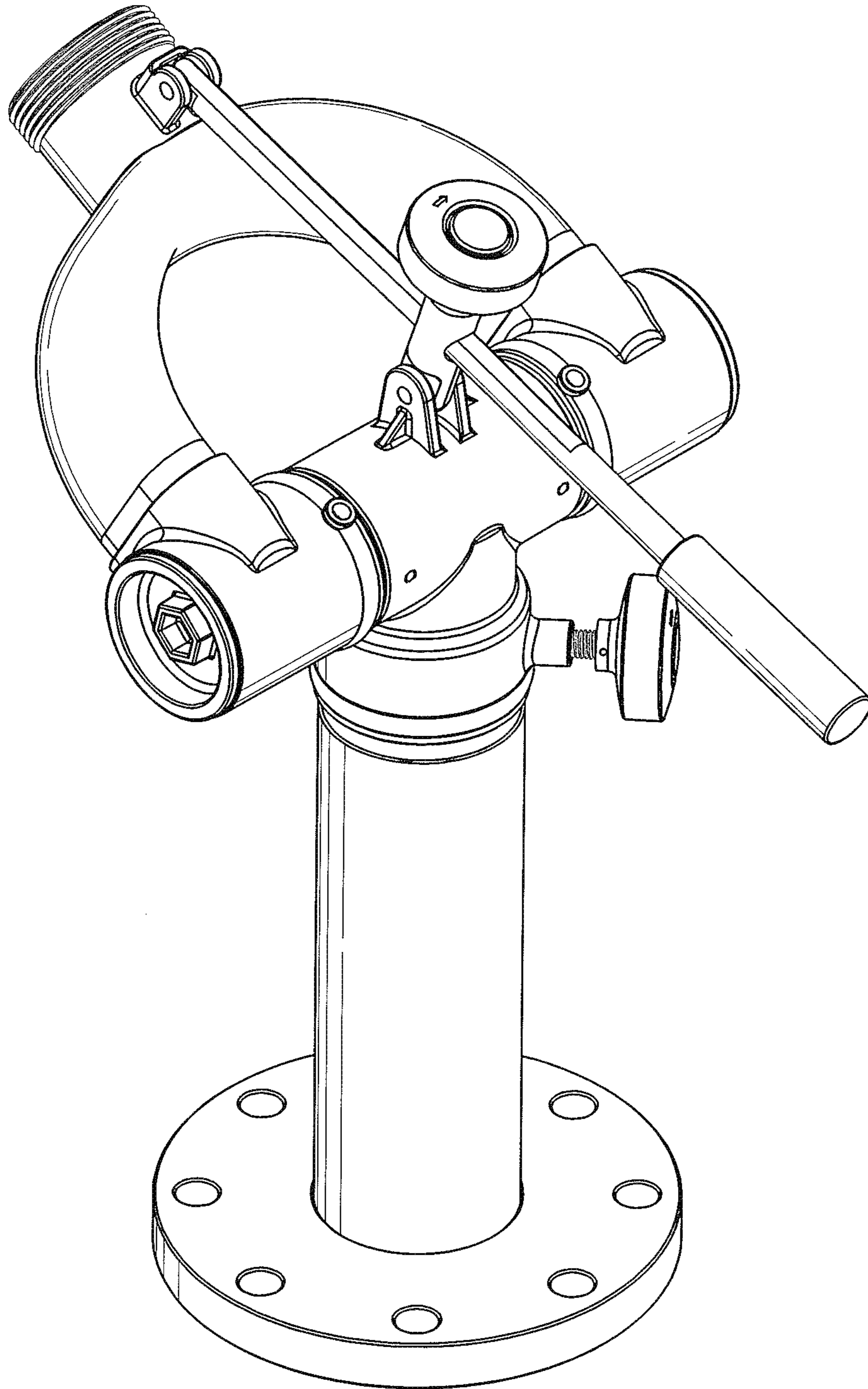


FIG. 1

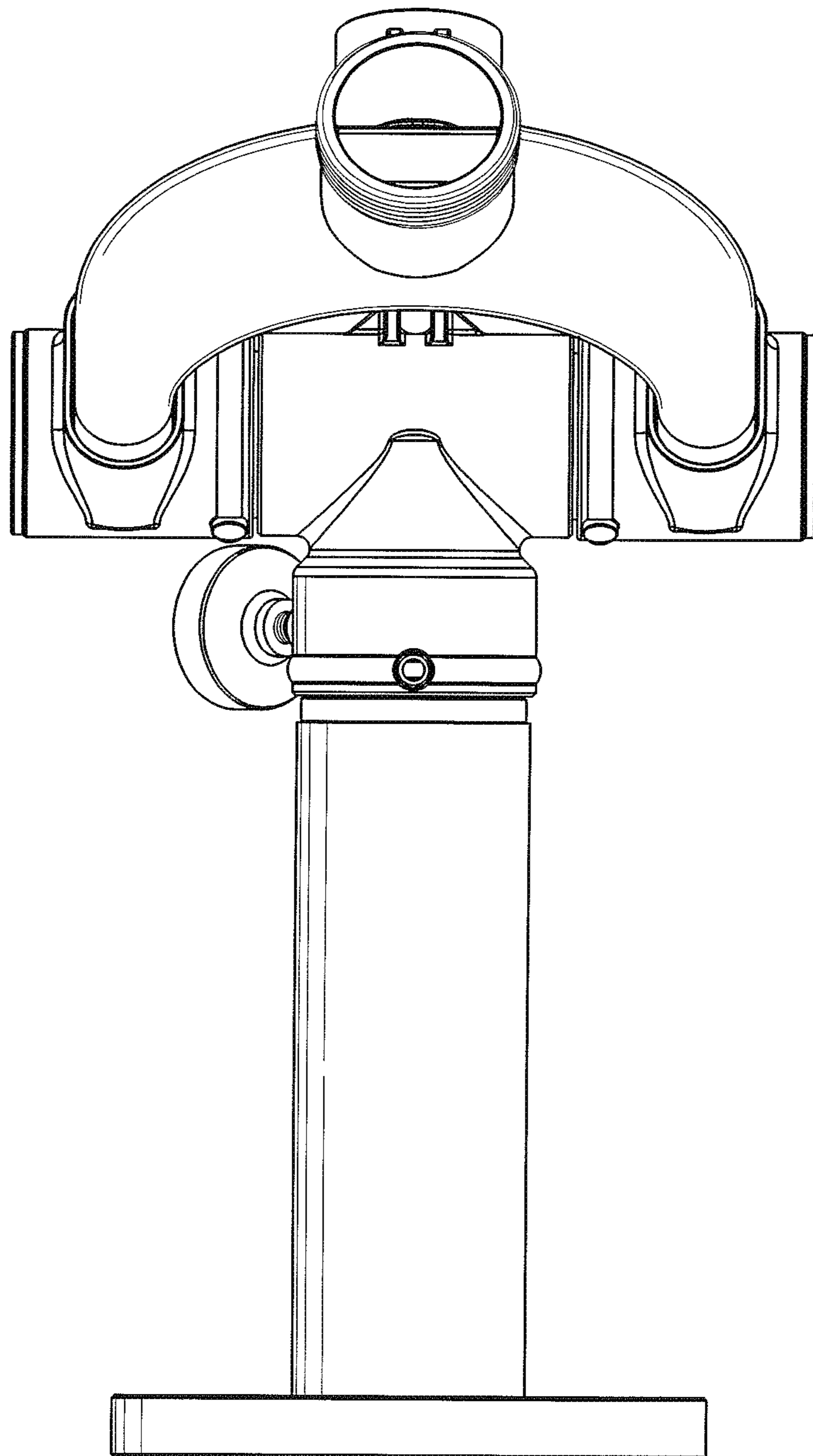


FIG. 2

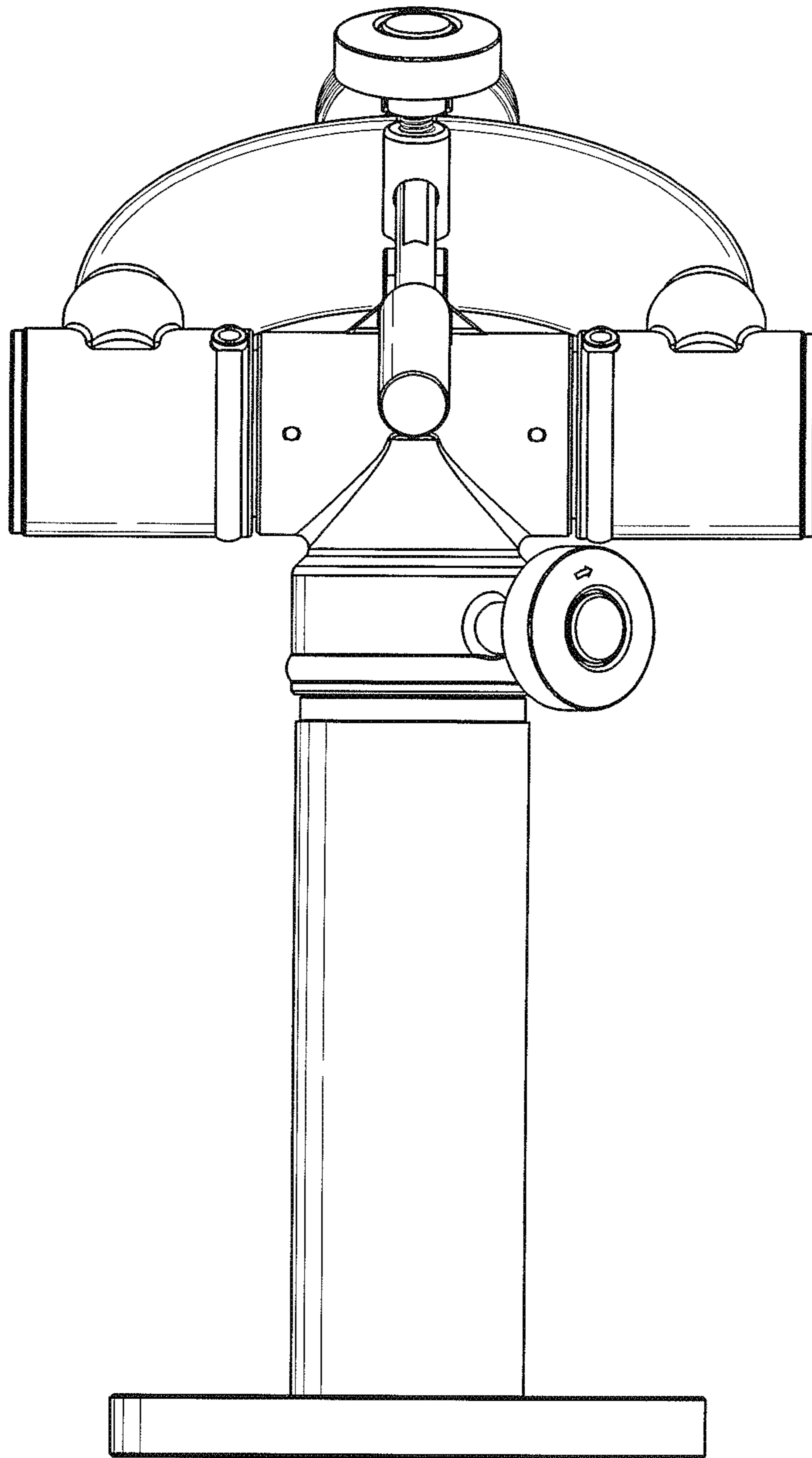


FIG. 3

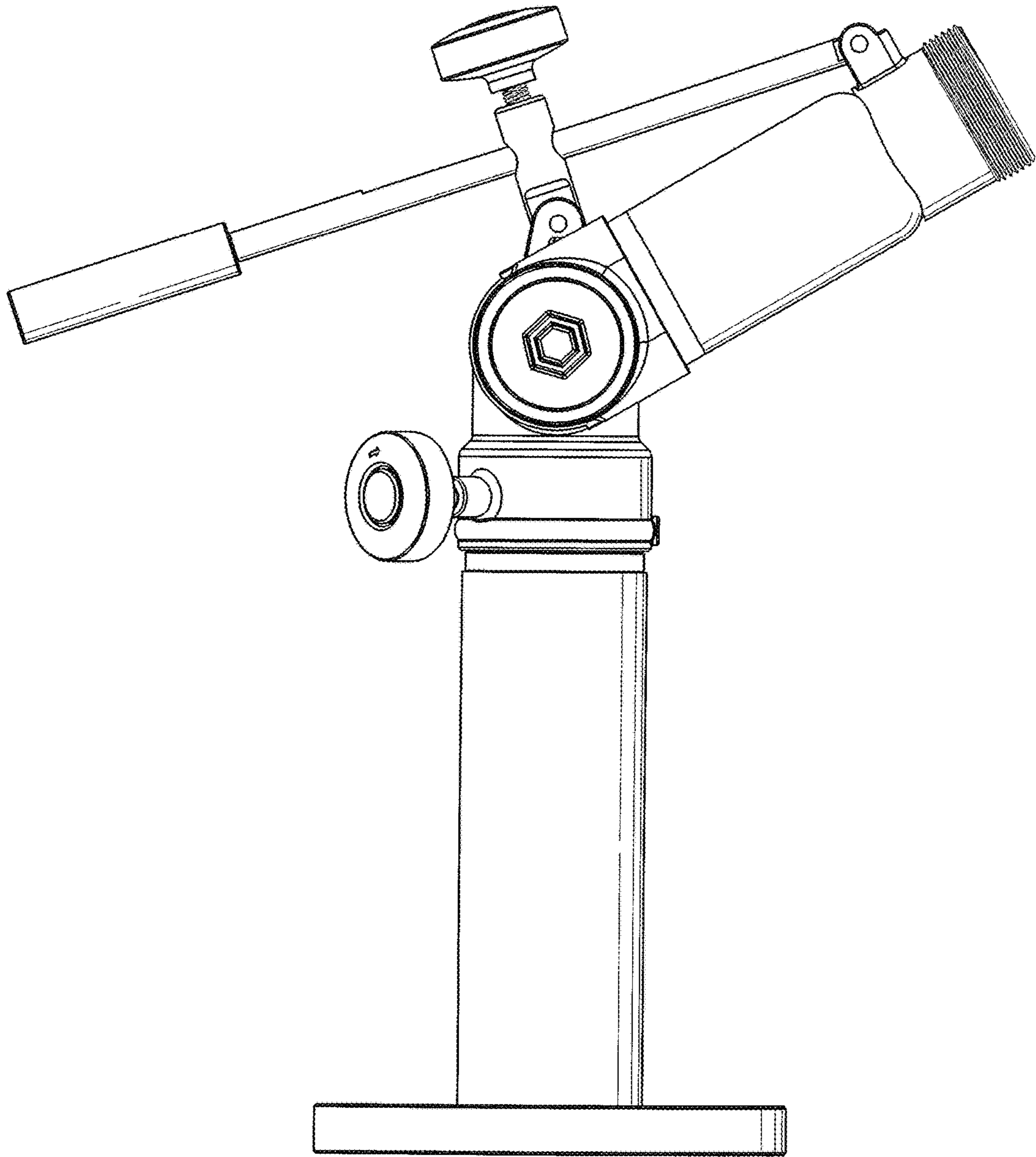


FIG. 4

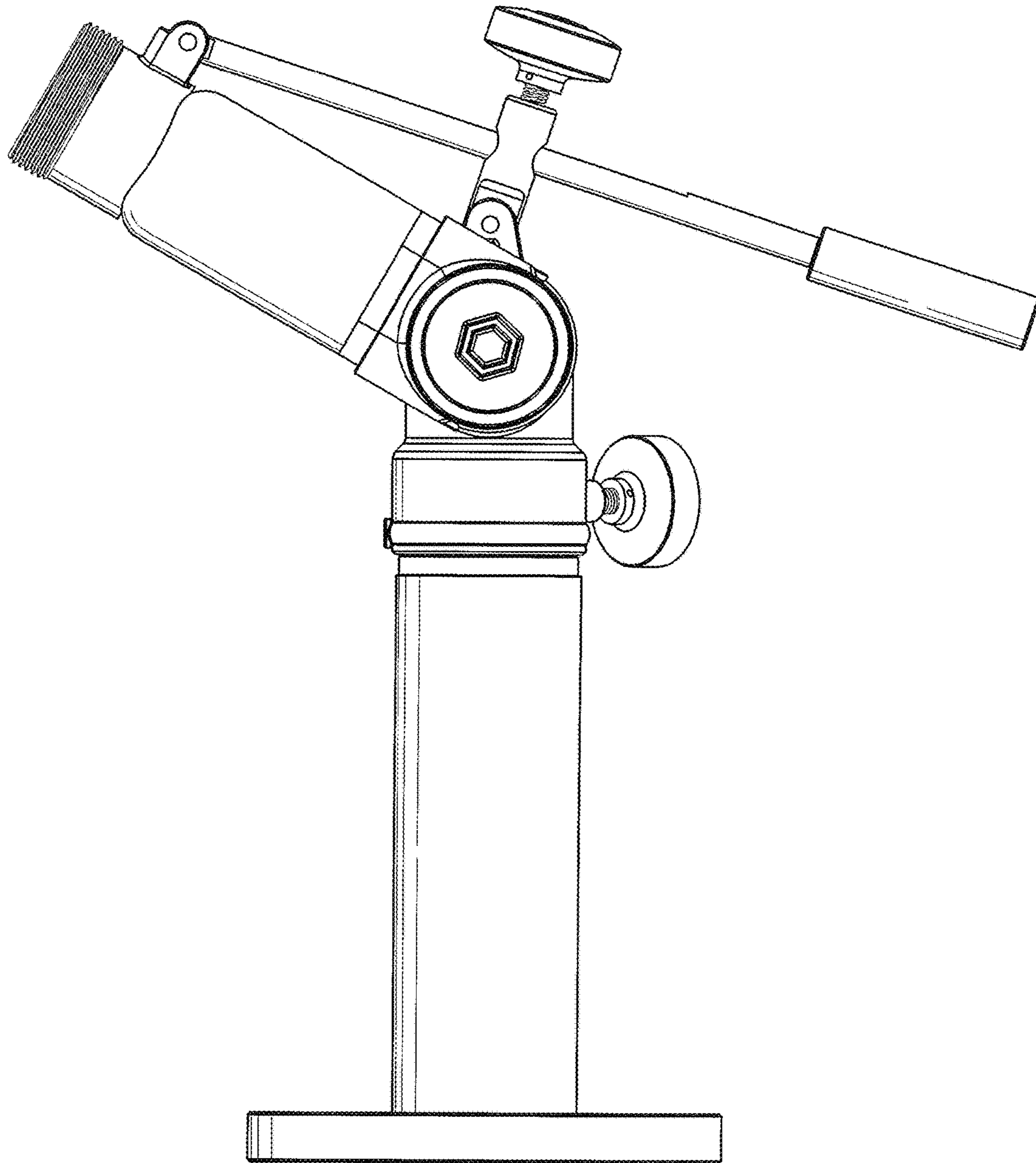


FIG. 5

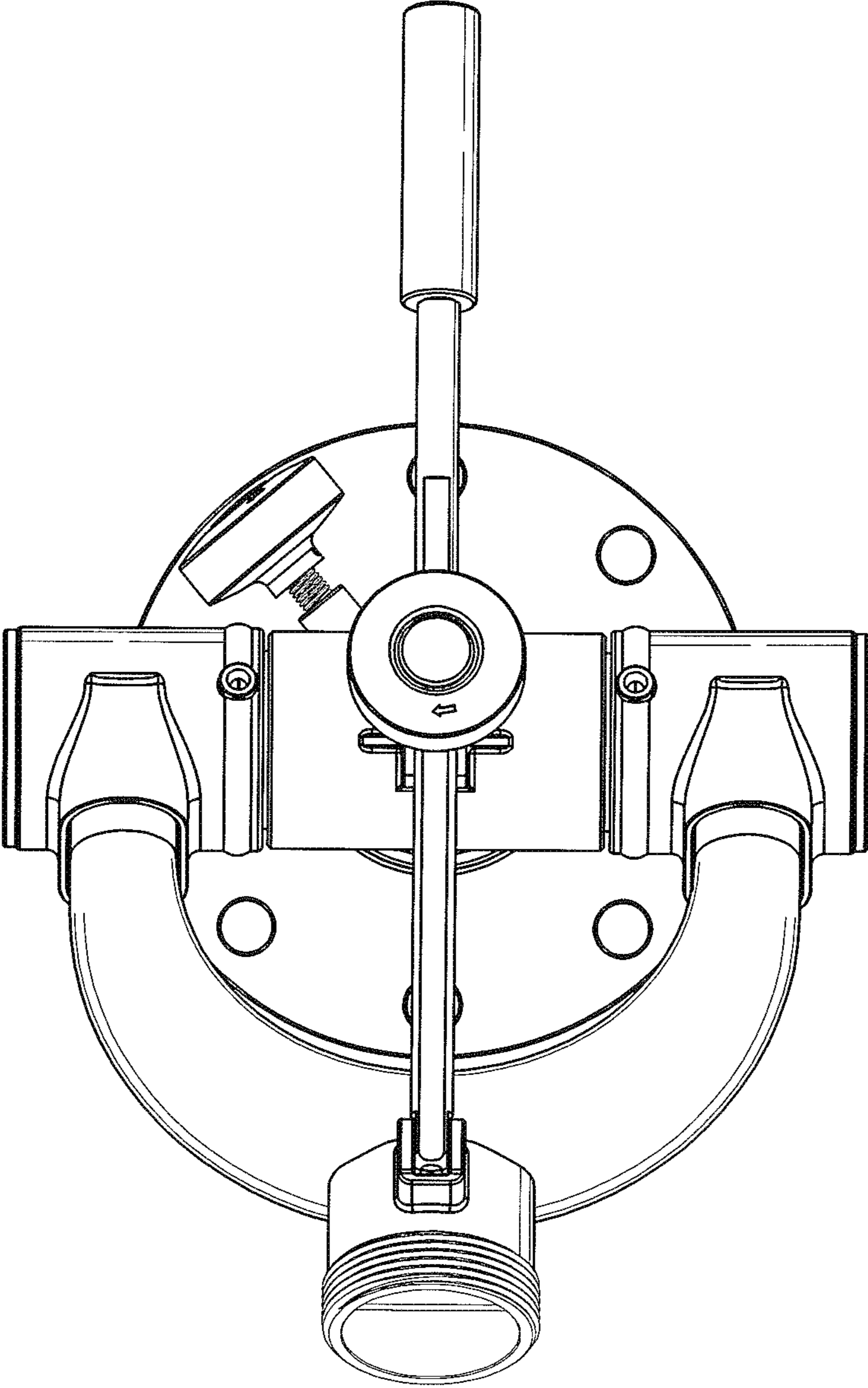


FIG. 6

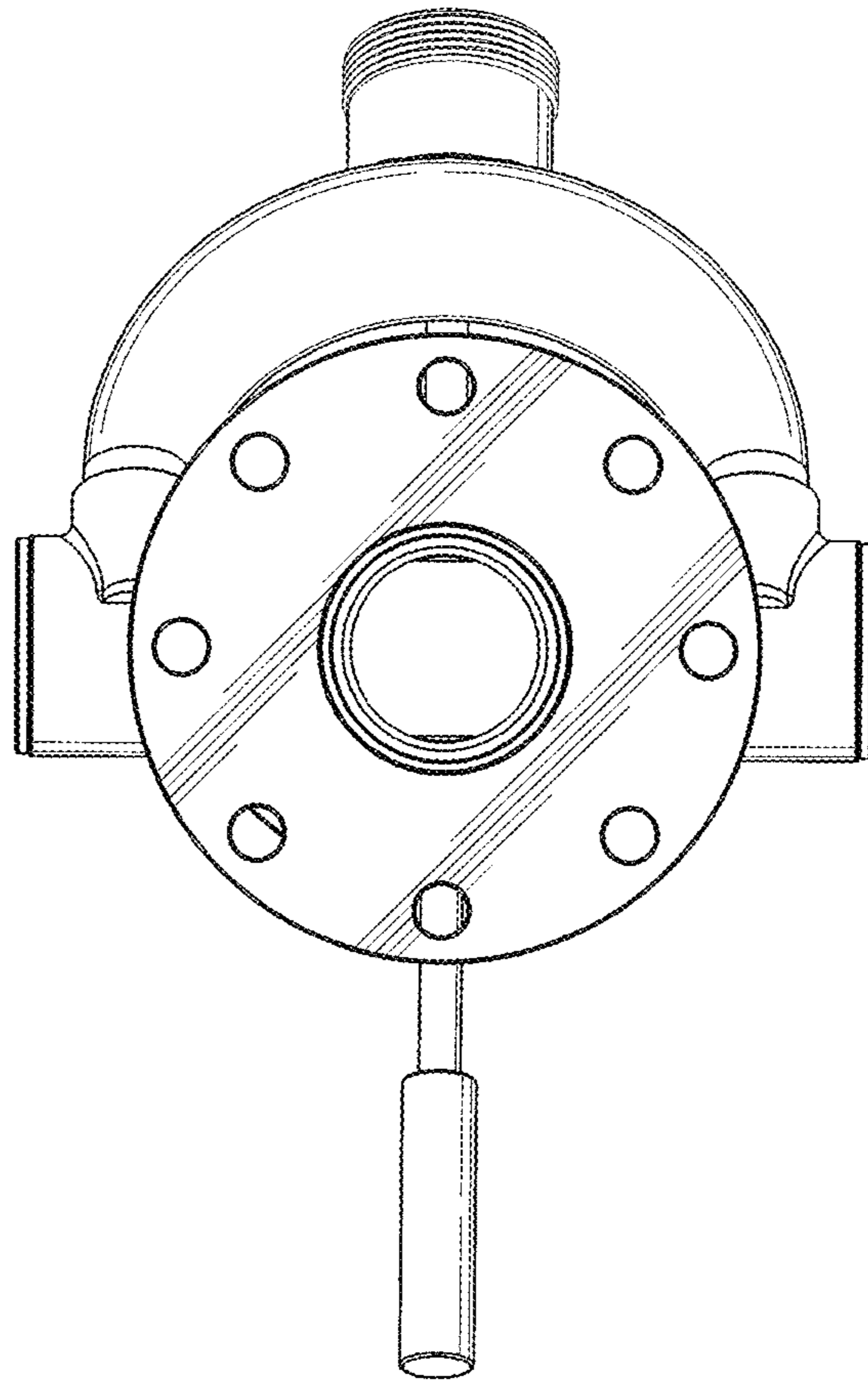


FIG. 7