

US00D797889S

(12) **United States Design Patent** (10) **Patent No.:** **US D797,889 S**  
**Peters** (45) **Date of Patent:** **\*\* Sep. 19, 2017**

(54) **SHOWER WATER COLLECTOR AND DISPENSER**

D266,690 S \* 10/1982 Levin ..... D23/212  
D279,311 S \* 6/1985 Schwartzburg ..... D23/212  
D671,193 S \* 11/2012 Thibault ..... D23/212  
D700,678 S \* 3/2014 Cunningham ..... D23/212

(71) Applicant: **ShowerPot USA, LLC**, Boca Raton, FL (US)

\* cited by examiner

(72) Inventor: **James Peters**, Boca Raton, FL (US)

*Primary Examiner* — Robin V Webster

(\*\*) Term: **14 Years**

(21) Appl. No.: **29/510,925**

(57) **CLAIM**

(22) Filed: **Dec. 4, 2014**

The ornamental design for a shower water collector and dispenser, as shown and described.

(51) **LOC (10) Cl.** ..... **23-01**

(52) **U.S. Cl.**  
USPC ..... **D23/212**

**DESCRIPTION**

(58) **Field of Classification Search**  
USPC ..... D23/212; 222/465.1; 239/375–378  
CPC ..... A01G 25/14  
See application file for complete search history.

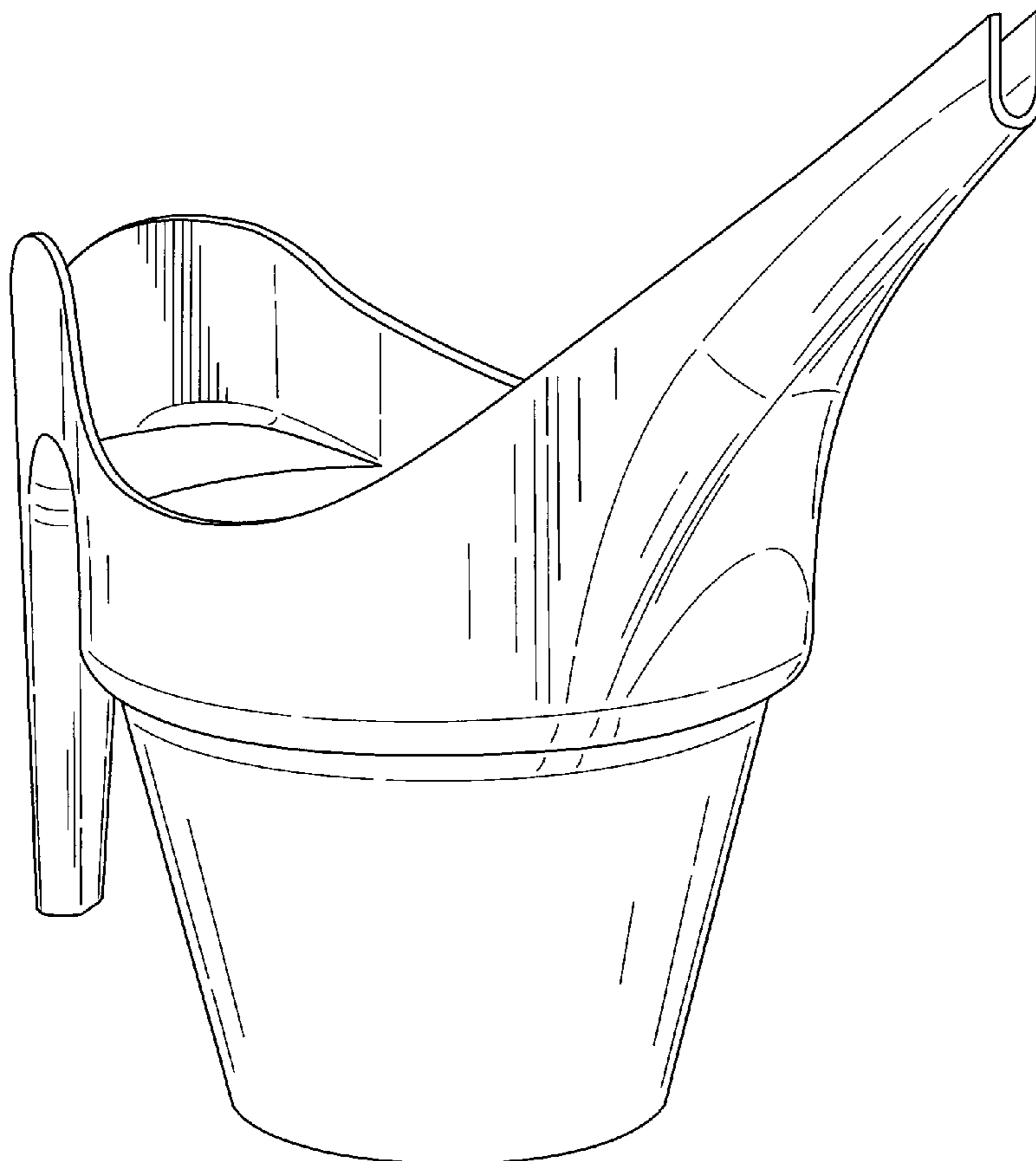
FIG. 1 is a frontal perspective view of the shower water collector and dispenser of the instant invention;  
FIG. 2 is a front view thereof;  
FIG. 3 is a back view thereof;  
FIG. 4 is a left side view thereof;  
FIG. 5 is a right side view thereof;  
FIG. 6 is a top view thereof; and,  
FIG. 7 is a bottom view thereof.

(56) **References Cited**

U.S. PATENT DOCUMENTS

D175,084 S \* 7/1955 Locke et al. .... D23/212  
D209,341 S \* 11/1967 Wayzata ..... D23/212

**1 Claim, 7 Drawing Sheets**



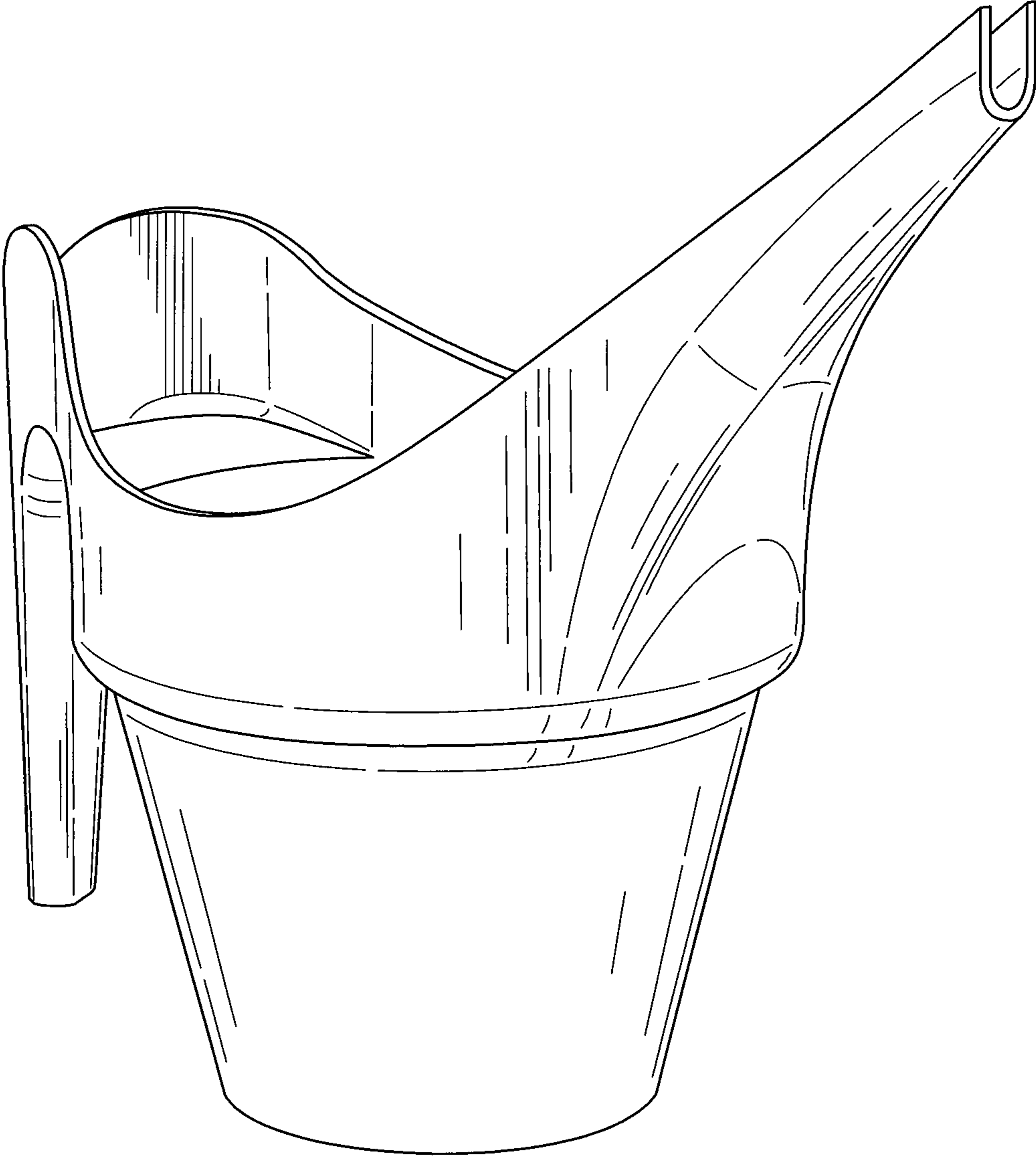
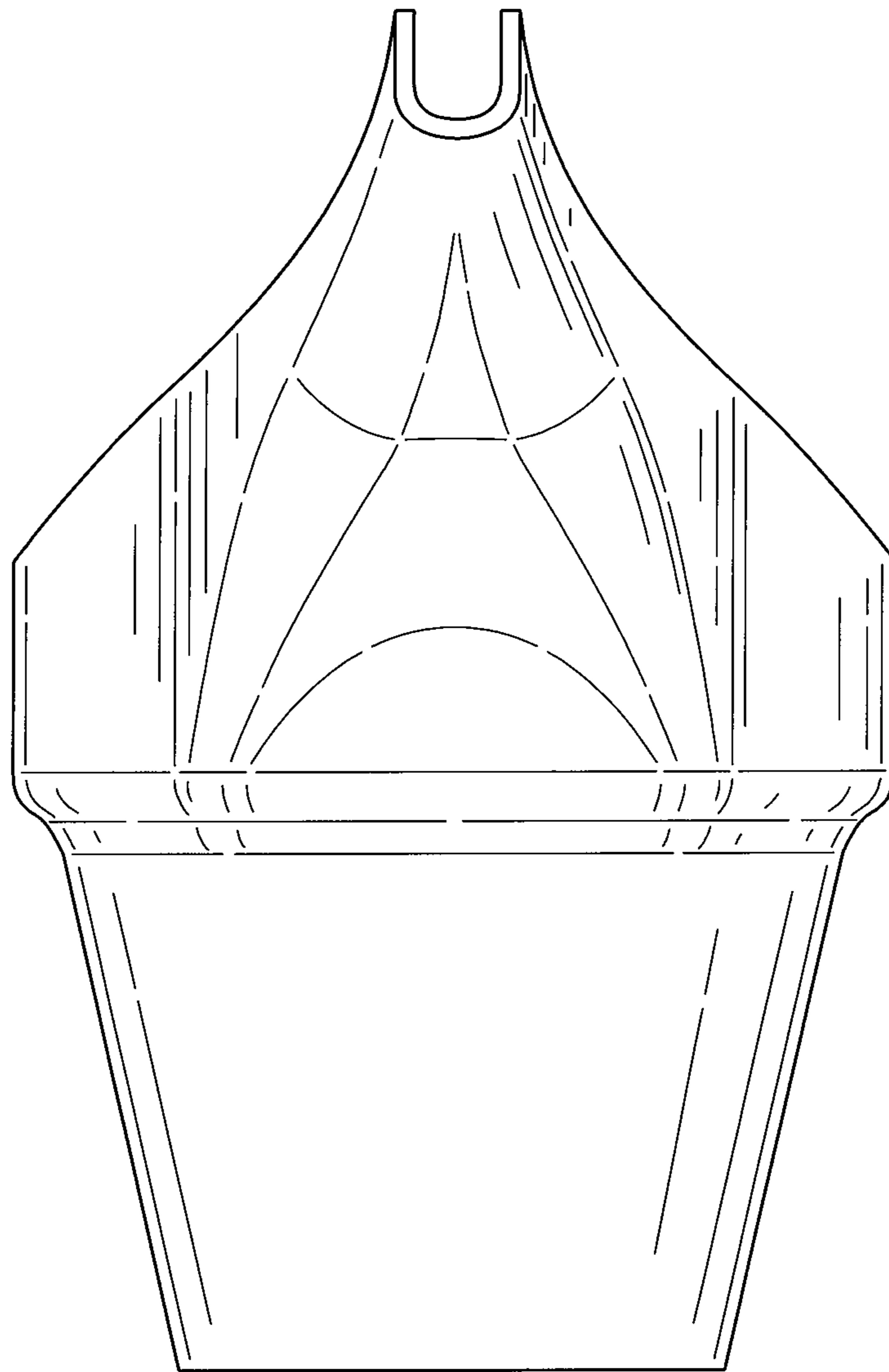
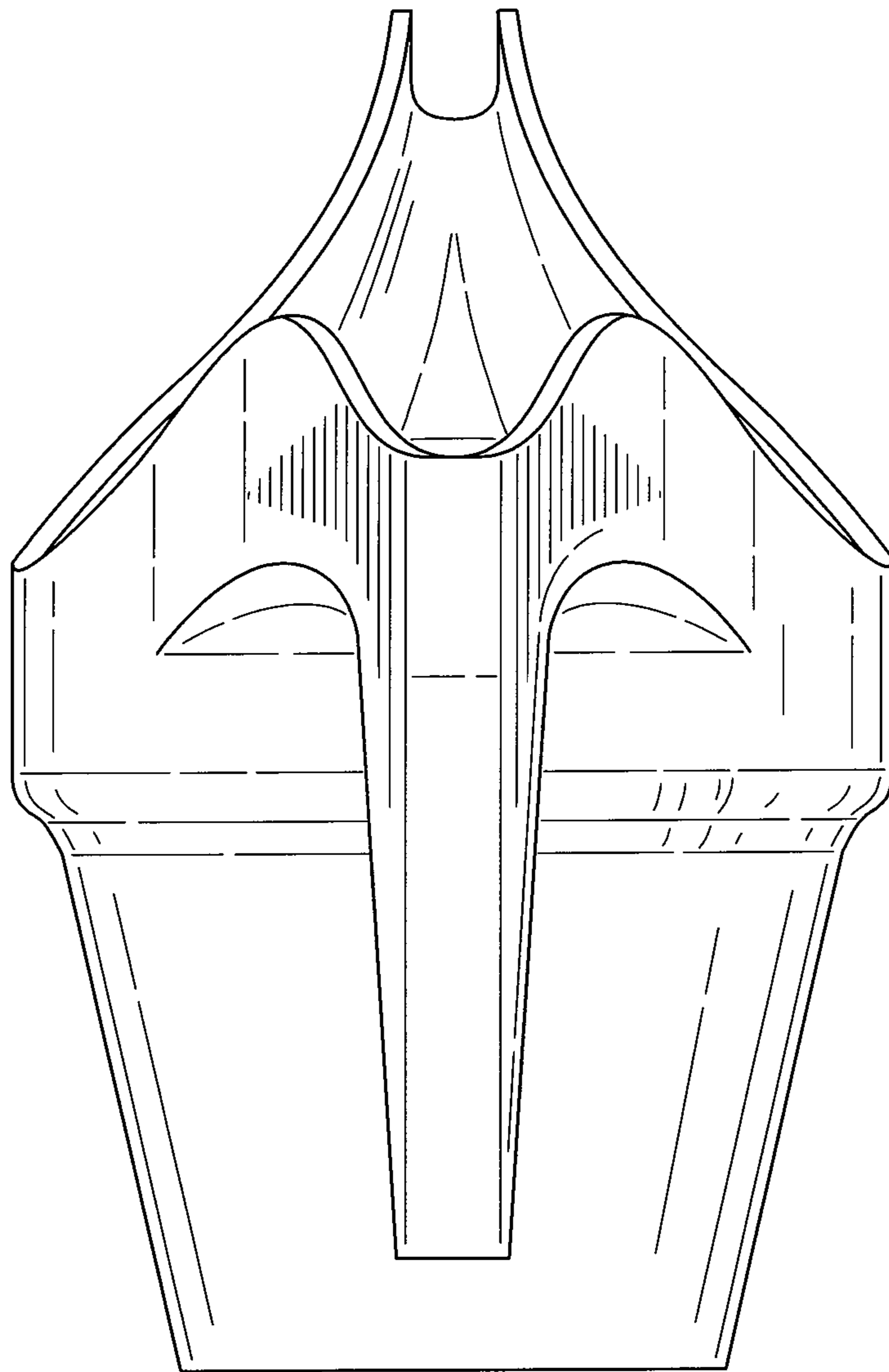


FIG. 1



**FIG. 2**



**FIG. 3**

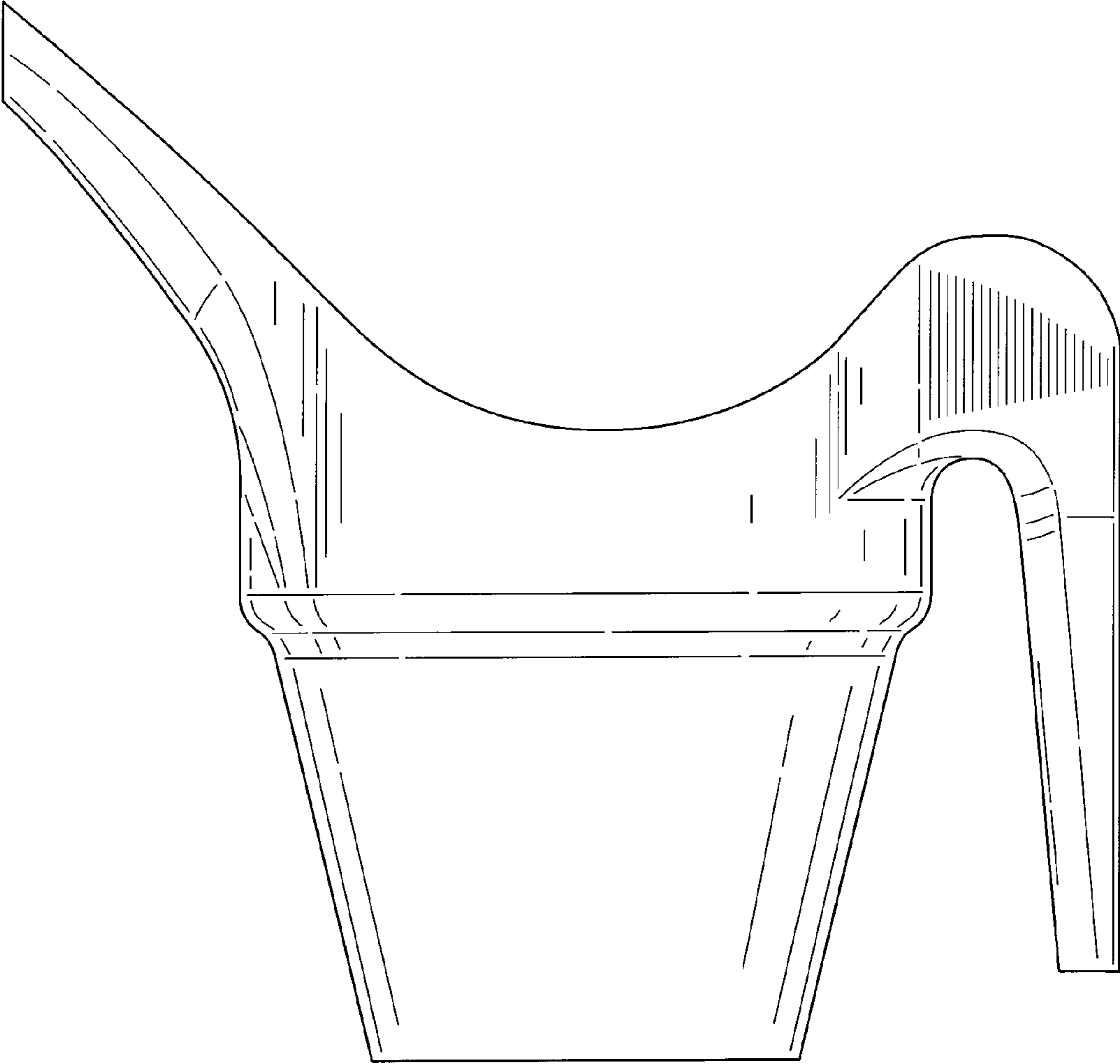


FIG. 4

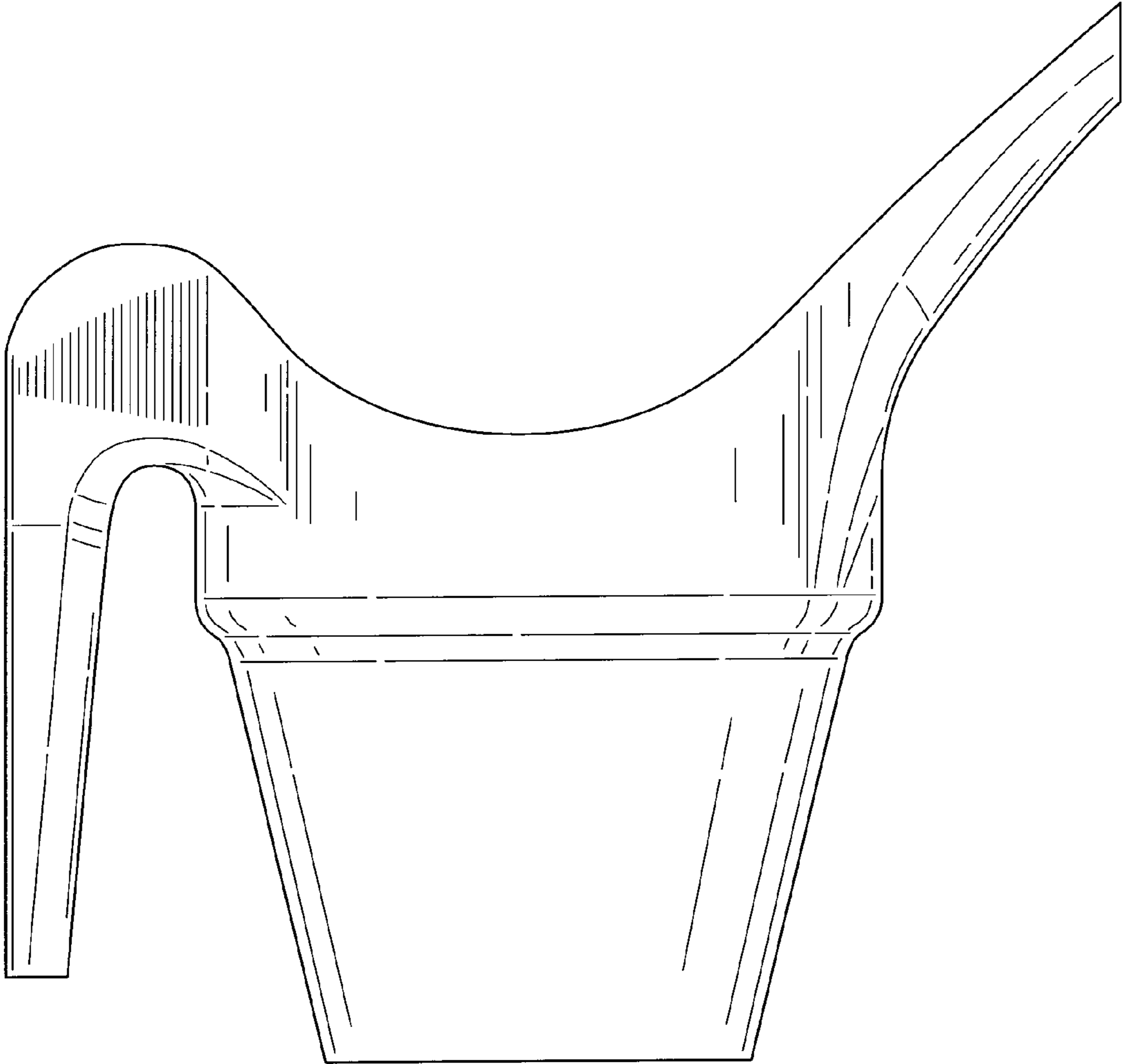
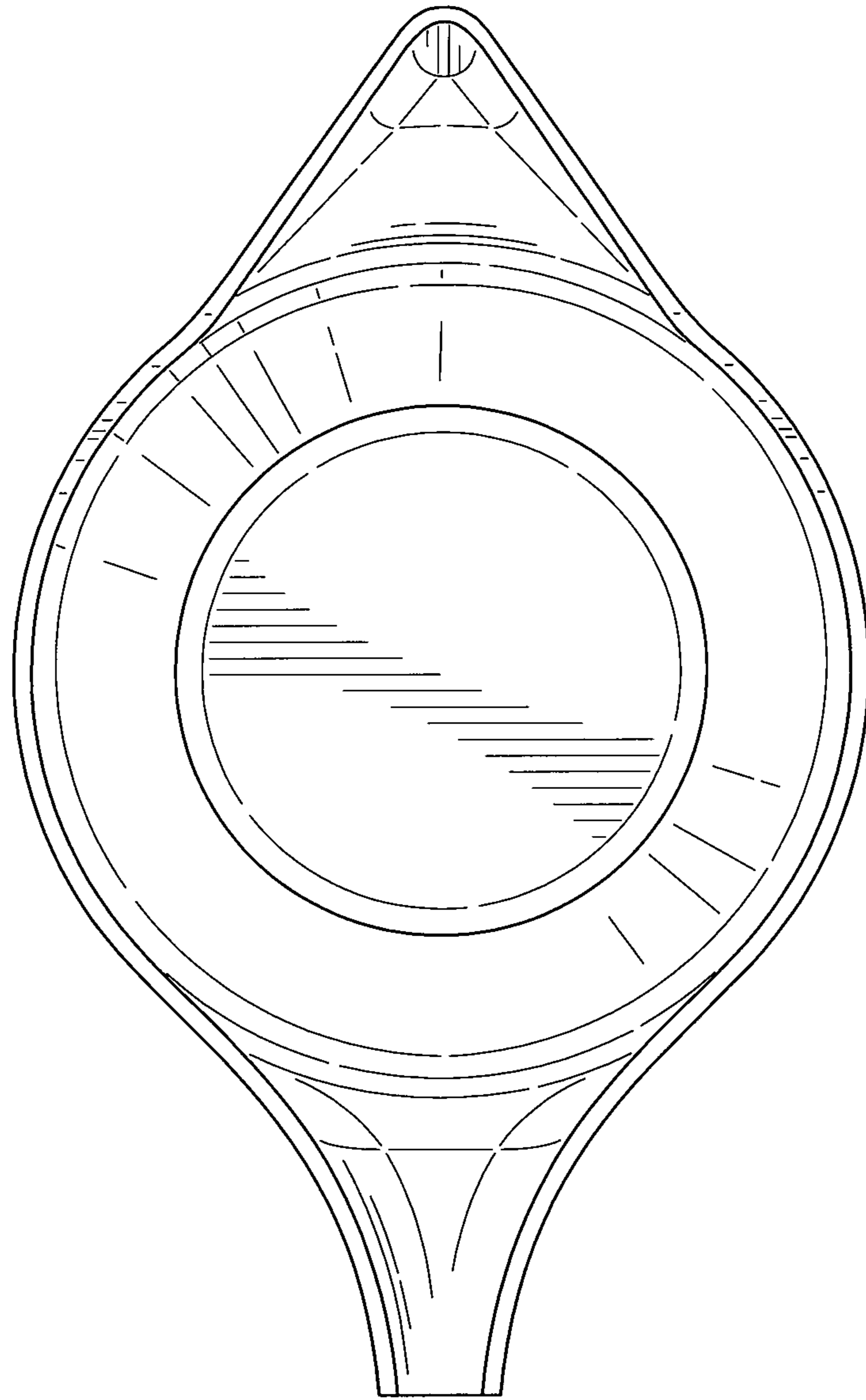
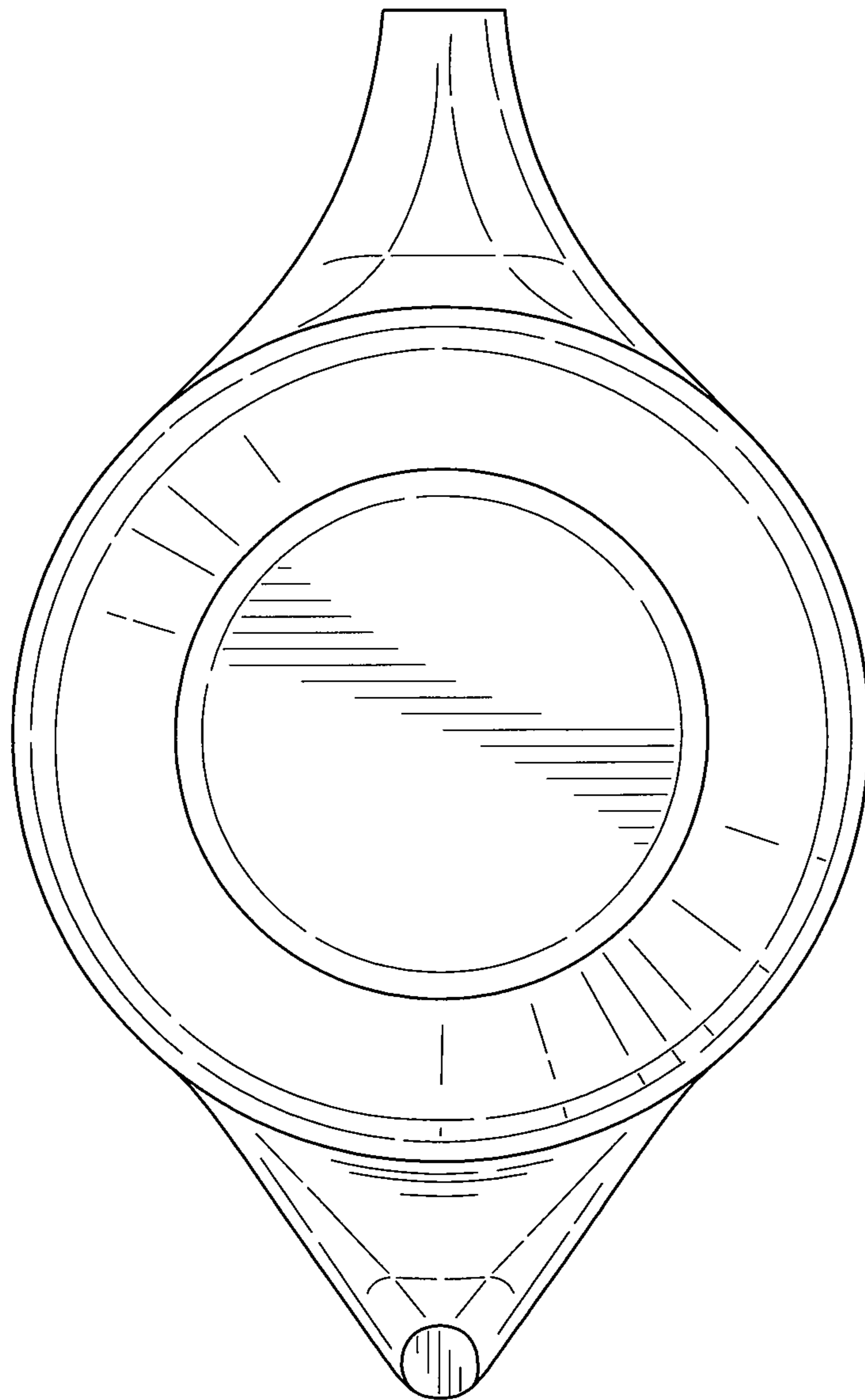


FIG. 5



**FIG. 6**



**FIG. 7**