



US00D797888S

(12) **United States Design Patent** (10) **Patent No.:** **US D797,888 S**  
**Schürmeyer** (45) **Date of Patent:** **\*\* Sep. 19, 2017**

(54) **WATER-PURIFYING APPARATUS**

(71) Applicant: **OASE GmbH**, Hörstel-Riesenbeck (DE)

(72) Inventor: **Stefan Schürmeyer**, Lienen (DE)

(73) Assignee: **OASE GmbH**, Hörstel-Riesenbeck (DE)

(\*\*) Term: **15 Years**

(21) Appl. No.: **29/565,868**

(22) Filed: **May 25, 2016**

(30) **Foreign Application Priority Data**

Dec. 2, 2015 (EM) ..... 002886671-0001

(51) **LOC (10) Cl.** ..... **23-01**

(52) **U.S. Cl.**  
USPC ..... **D23/207**

(58) **Field of Classification Search**  
USPC ..... D23/207-209; 239/146, 147; 210/241, 210/416.1, 416.3

CPC ..... E03F 7/10  
See application file for complete search history.

(56) **References Cited**

**U.S. PATENT DOCUMENTS**

3,473,662 A \* 10/1969 Kudlaty ..... B01D 35/06  
210/100  
D328,777 S \* 8/1992 Thalmann ..... D23/209  
D332,993 S \* 2/1993 Dea ..... D23/207

D357,303 S \* 4/1995 Karlsson ..... D23/209  
5,597,601 A \* 1/1997 Griffin ..... A47J 37/1223  
210/167.28  
D428,468 S \* 7/2000 Dea ..... D23/200  
6,207,051 B1 \* 3/2001 Anderson ..... B01D 46/2411  
210/237  
D477,049 S \* 7/2003 Steinfels ..... D23/207  
D480,447 S \* 10/2003 Cook ..... D23/200  
7,223,337 B1 \* 5/2007 Franzino ..... F28F 25/00  
210/241  
D577,415 S \* 9/2008 Reid ..... D23/202  
D663,008 S \* 7/2012 Varini ..... D23/207  
9,033,258 B2 \* 5/2015 Schwab ..... B08B 3/026  
239/146  
D748,221 S \* 1/2016 Kemper ..... D23/207  
D779,629 S \* 2/2017 Kemper ..... D23/207

\* cited by examiner

*Primary Examiner* — Robin V Webster

(74) *Attorney, Agent, or Firm* — Gudrun E. Huckett

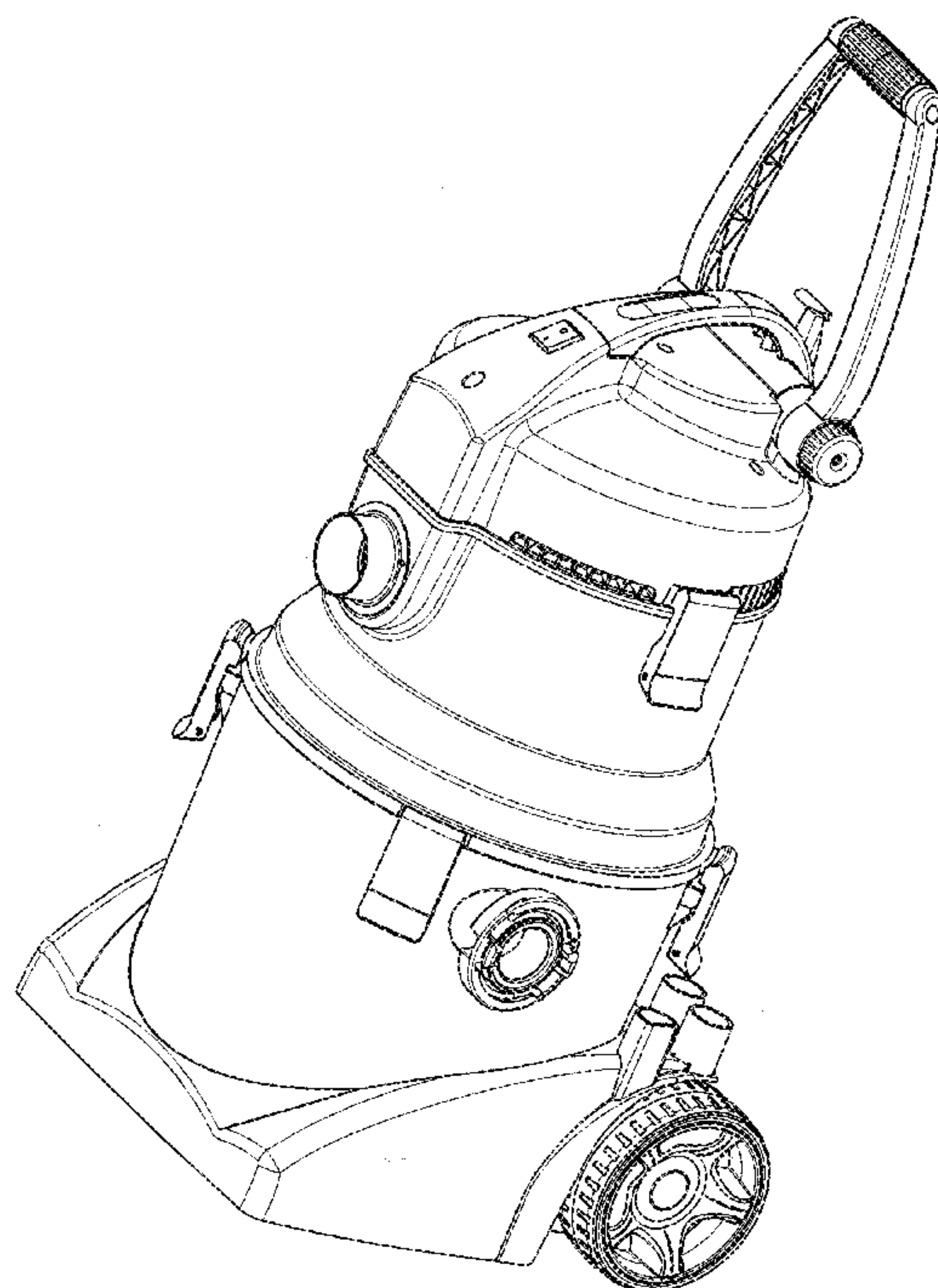
(57) **CLAIM**

The ornamental design for a water-purifying apparatus, as shown and described.

**DESCRIPTION**

FIG. 1 is a perspective front view of a water-purifying apparatus showing my new design;  
FIG. 2 is a top plan view thereof;  
FIG. 3 is a bottom plan view thereof;  
FIG. 4 is a front elevational view thereof;  
FIG. 5 is a rear elevational view thereof;  
FIG. 6 is a left elevational view thereof; and,  
FIG. 7 is a right elevational view thereof.

**1 Claim, 7 Drawing Sheets**



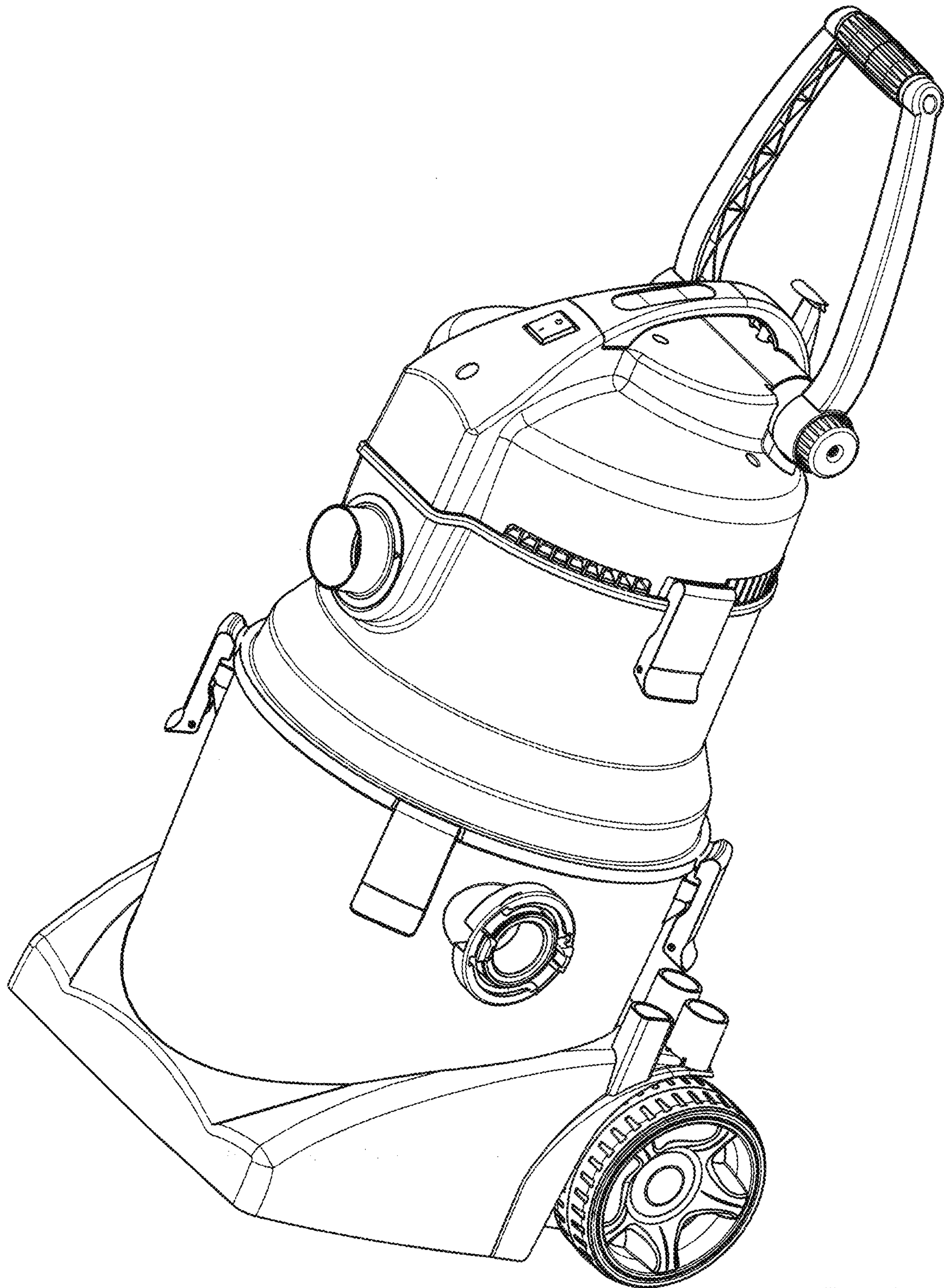


Fig. 1



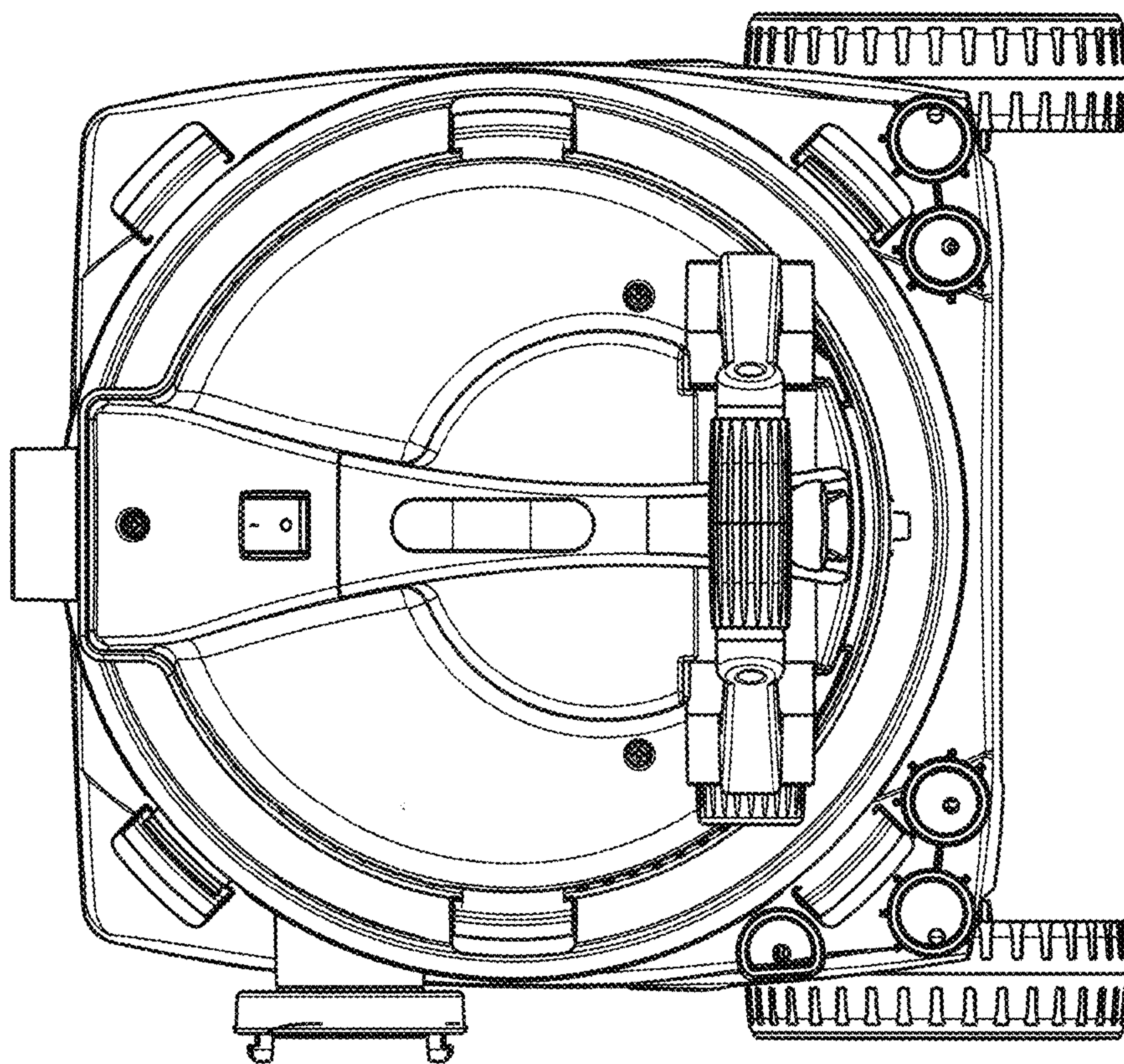


Fig. 2

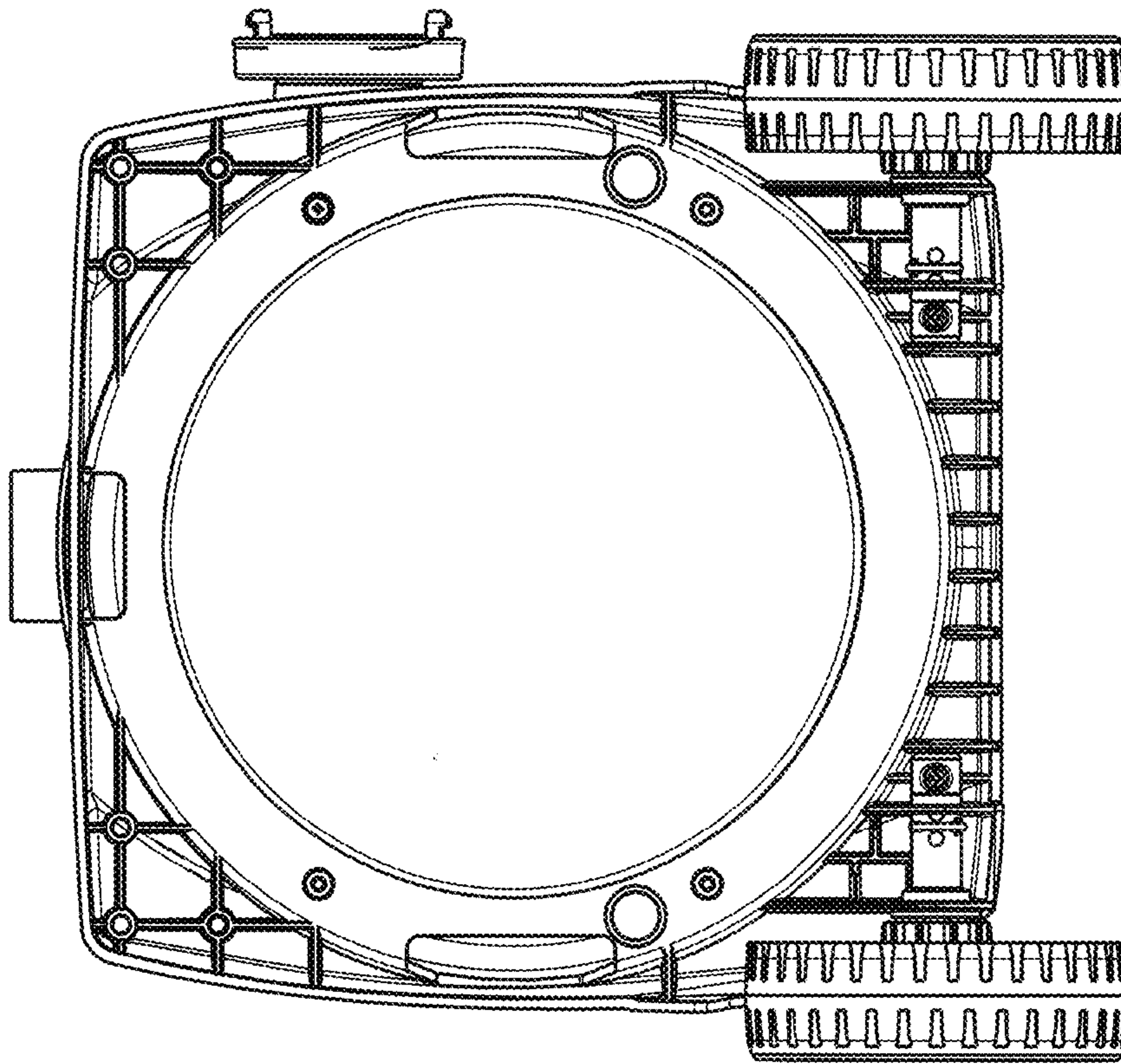


Fig. 3

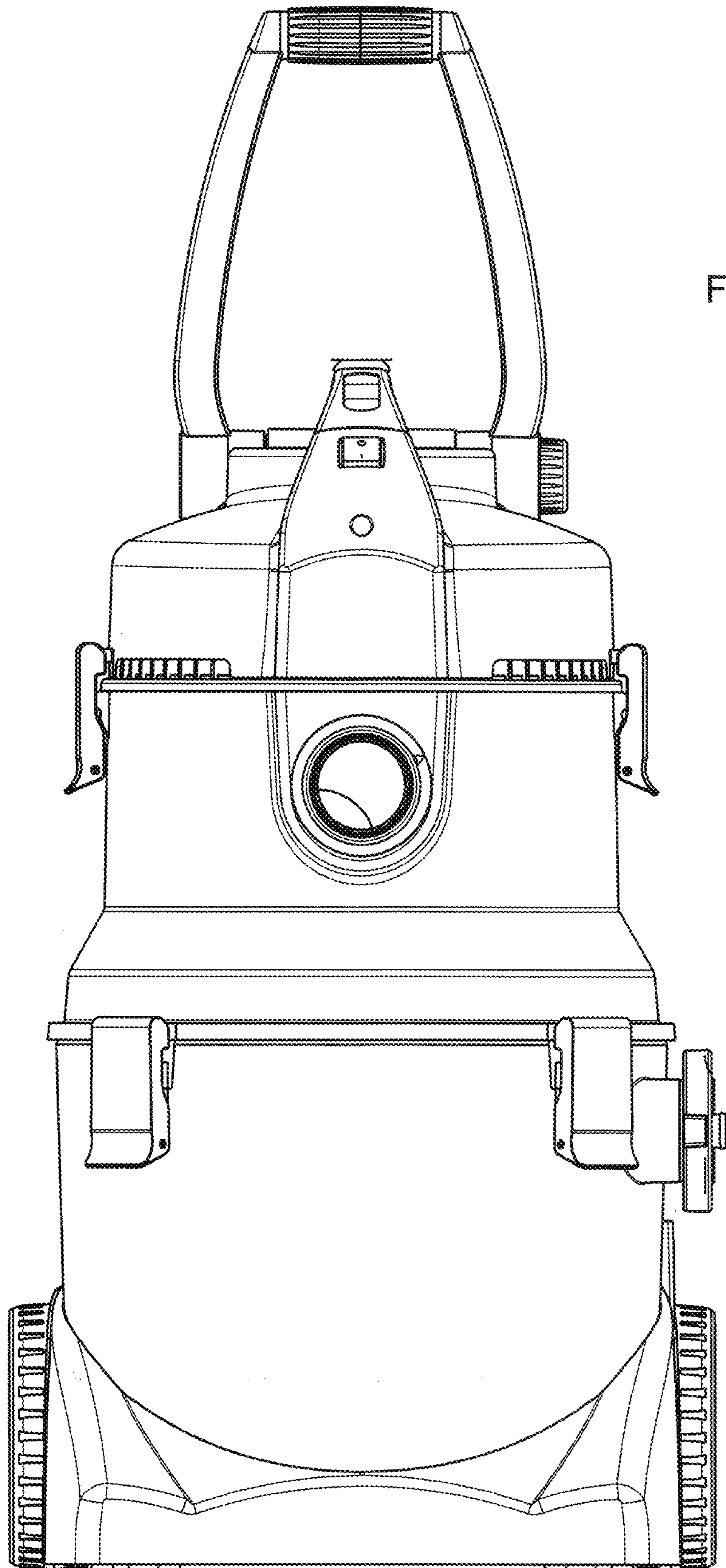


Fig. 4



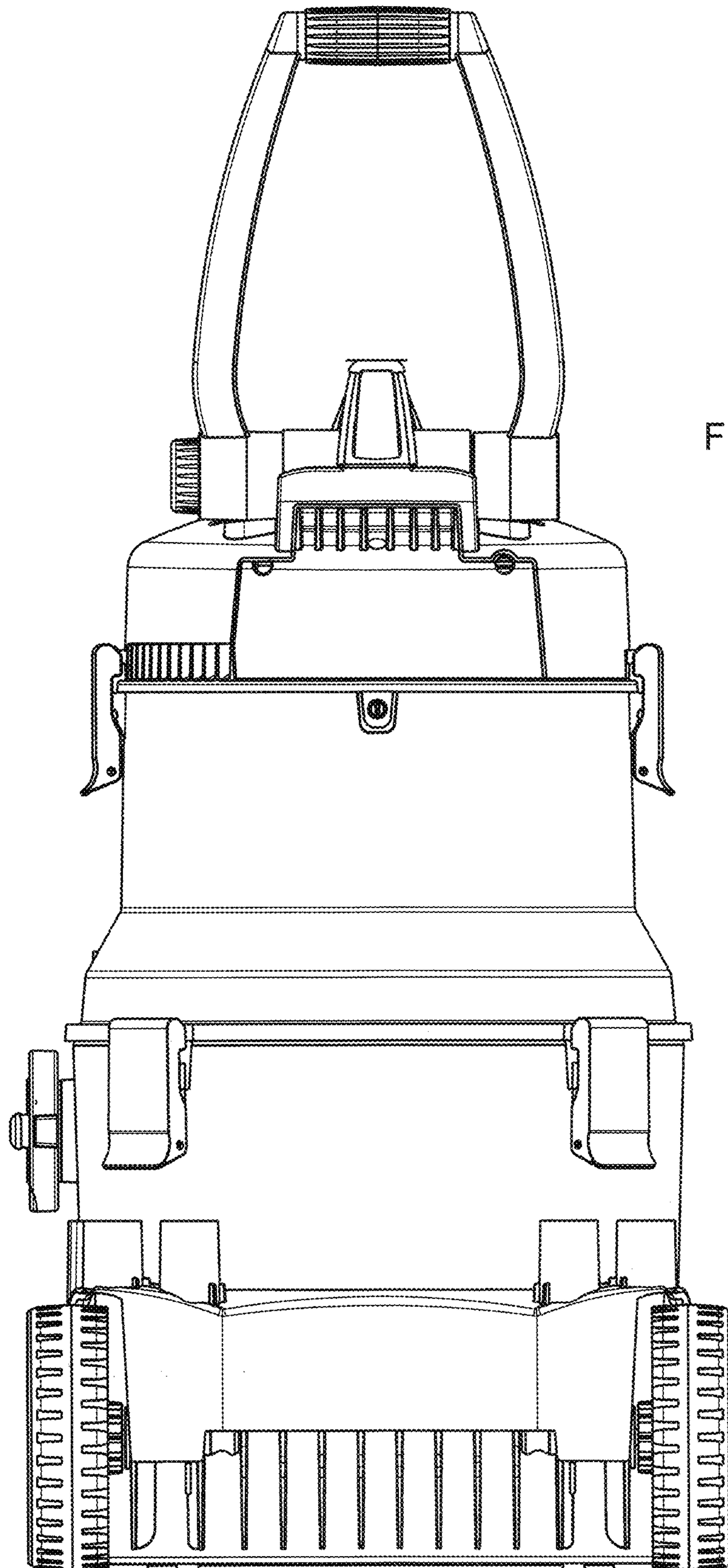


Fig. 5

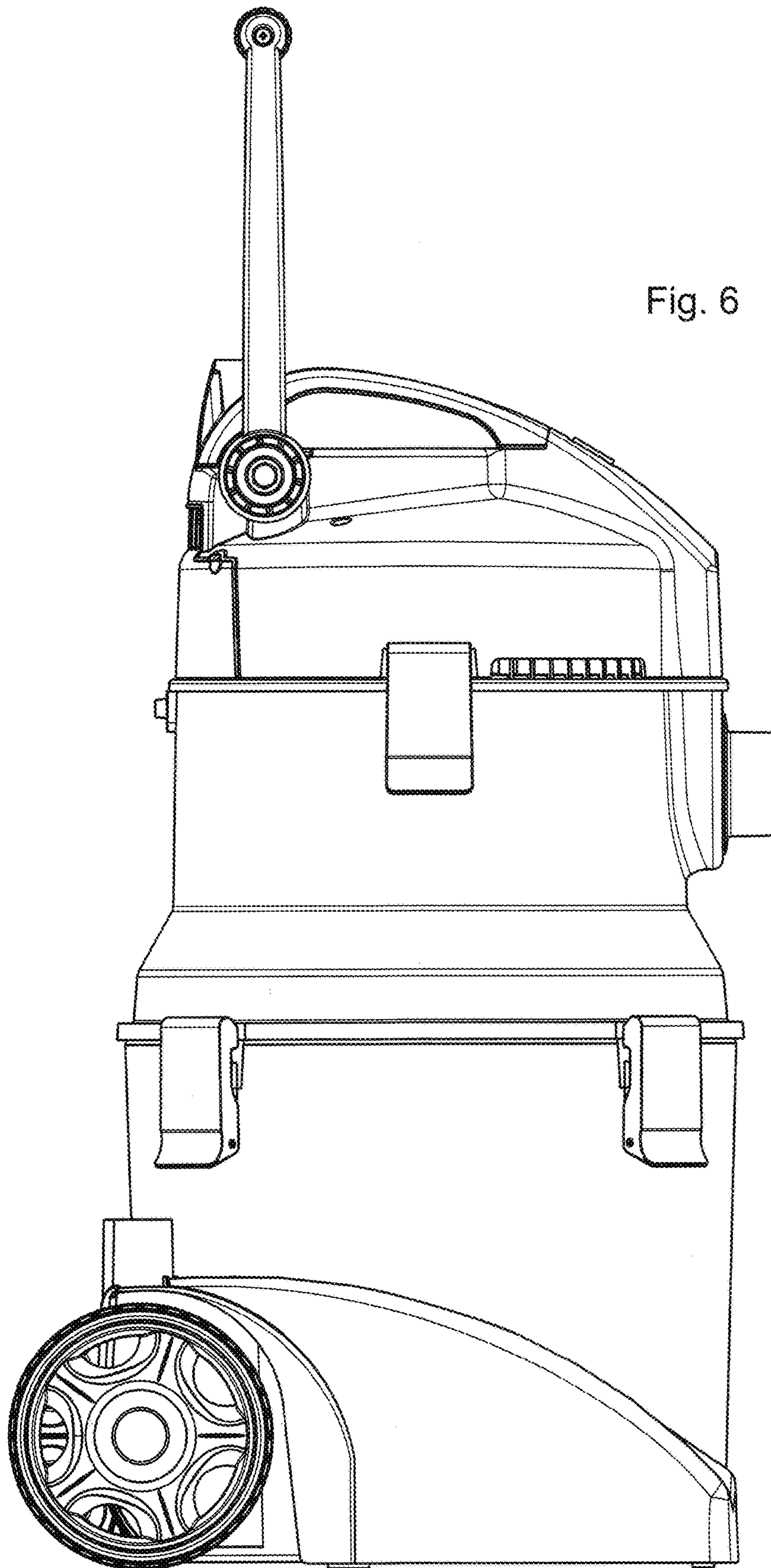


Fig. 7

