



US00D797887S

(12) **United States Design Patent** (10) **Patent No.:** **US D797,887 S**
Lipkens et al. (45) **Date of Patent:** **** Sep. 19, 2017**

(54) **ACOUSTIC SEPARATION DEVICE**

(56) **References Cited**

(71) Applicant: **FloDesign Sonics, Inc.**, Wilbraham, MA (US)

(72) Inventors: **Bart Lipkens**, Hampden, MA (US); **Walter M. Presz, Jr.**, Wilbraham, MA (US); **Jason Barnes**, Westfield, MA (US); **Dane Mealey**, Springfield, MA (US); **Jeffrey King**, Coventry, CT (US); **Brian McCarthy**, East Longmeadow, MA (US); **Jack Saloio**, Wilbraham, MA (US); **Kedar Chitale**, West Hartford, CT (US); **Benjamin Ross-Johnsrud**, Wilbraham, MA (US)

U.S. PATENT DOCUMENTS

8,691,145 B2 * 4/2014 Dionne A61L 2/025
 422/20
 D718,835 S * 12/2014 Lipkens D23/207
 D722,674 S * 2/2015 Lipkens D23/207
 9,340,435 B2 * 5/2016 Lipkens B01D 43/00

* cited by examiner

Primary Examiner — Robin V Webster
 (74) *Attorney, Agent, or Firm* — Rick Klein, Esq.; Fay Sharpe, LLP

(73) Assignee: **FloDesign Sonics, Inc.**, Wilbraham, MA (US)

(57) **CLAIM**

The ornamental design for an acoustic separation device, as shown and described.

(**) Term: **15 Years**

DESCRIPTION

(21) Appl. No.: **29/562,478**

FIG. 1 is a front right perspective view.
 FIG. 2 is a top view.
 FIG. 3 is a front view.
 FIG. 4 is a right side view.
 FIG. 5 is a left side view.
 FIG. 6 is a rear view; and,
 FIG. 7 is a bottom view.

(22) Filed: **Apr. 26, 2016**

(51) **LOC (10) Cl.** **23-01**

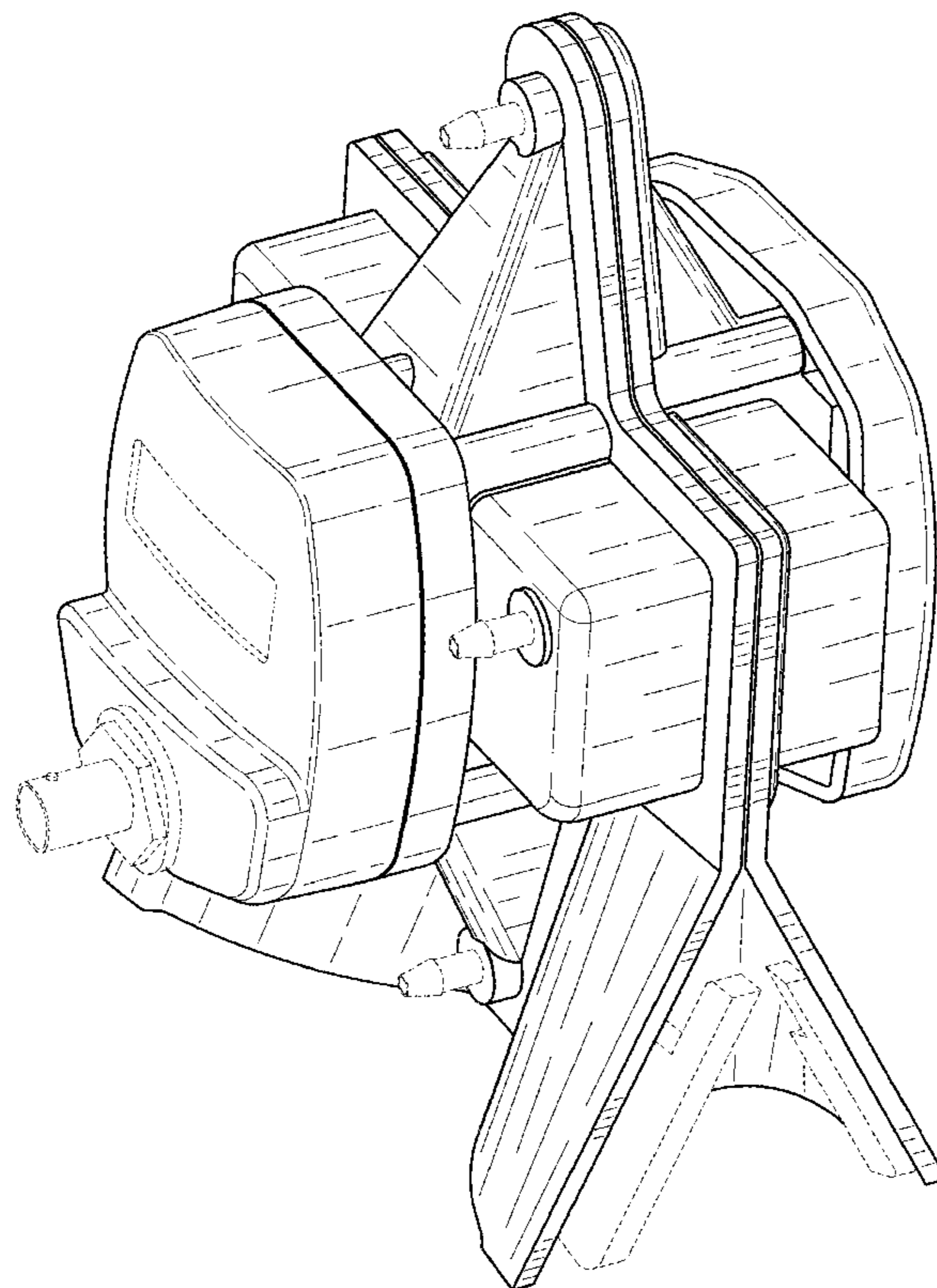
(52) **U.S. Cl.**
USPC **D23/207**

(58) **Field of Classification Search**
USPC D23/207, 209; 210/748.01, 748.02,
210/748.05

CPC C02F 1/36; B01J 19/10
See application file for complete search history.

The broken lines of FIGS. 1-7 illustrate portions of the article and form no part of the claimed design.

1 Claim, 7 Drawing Sheets



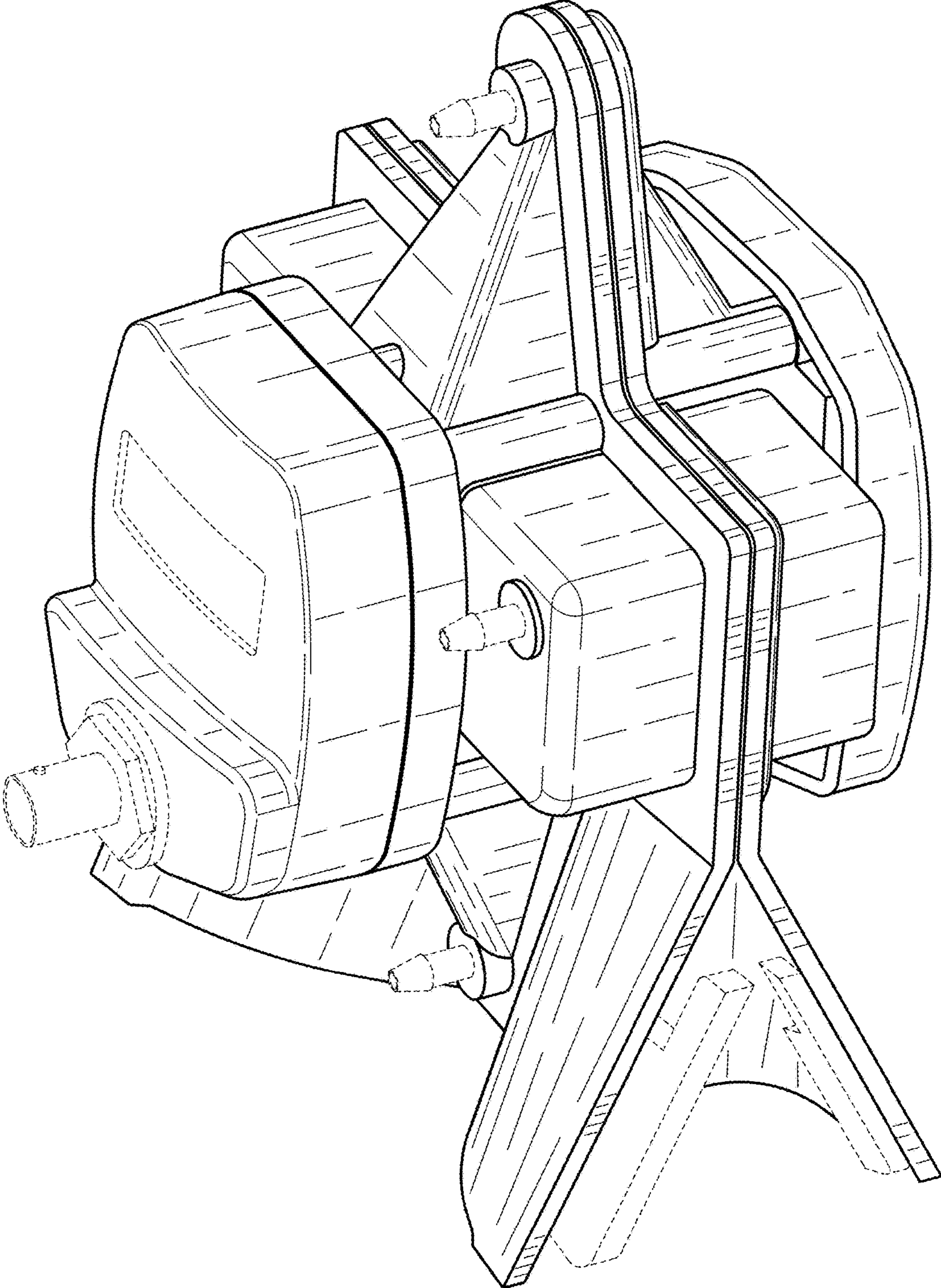


Fig. 1

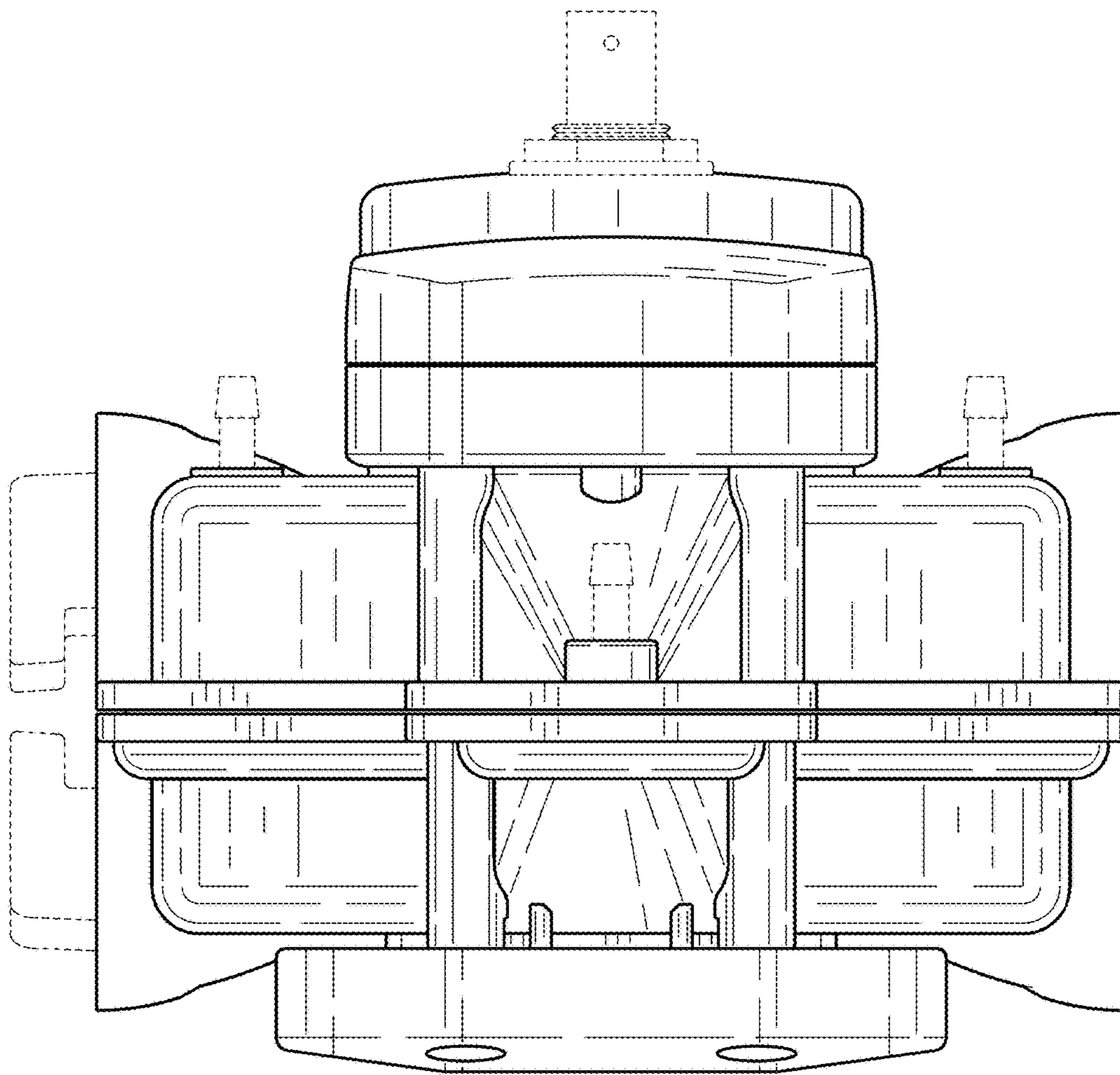


Fig. 2

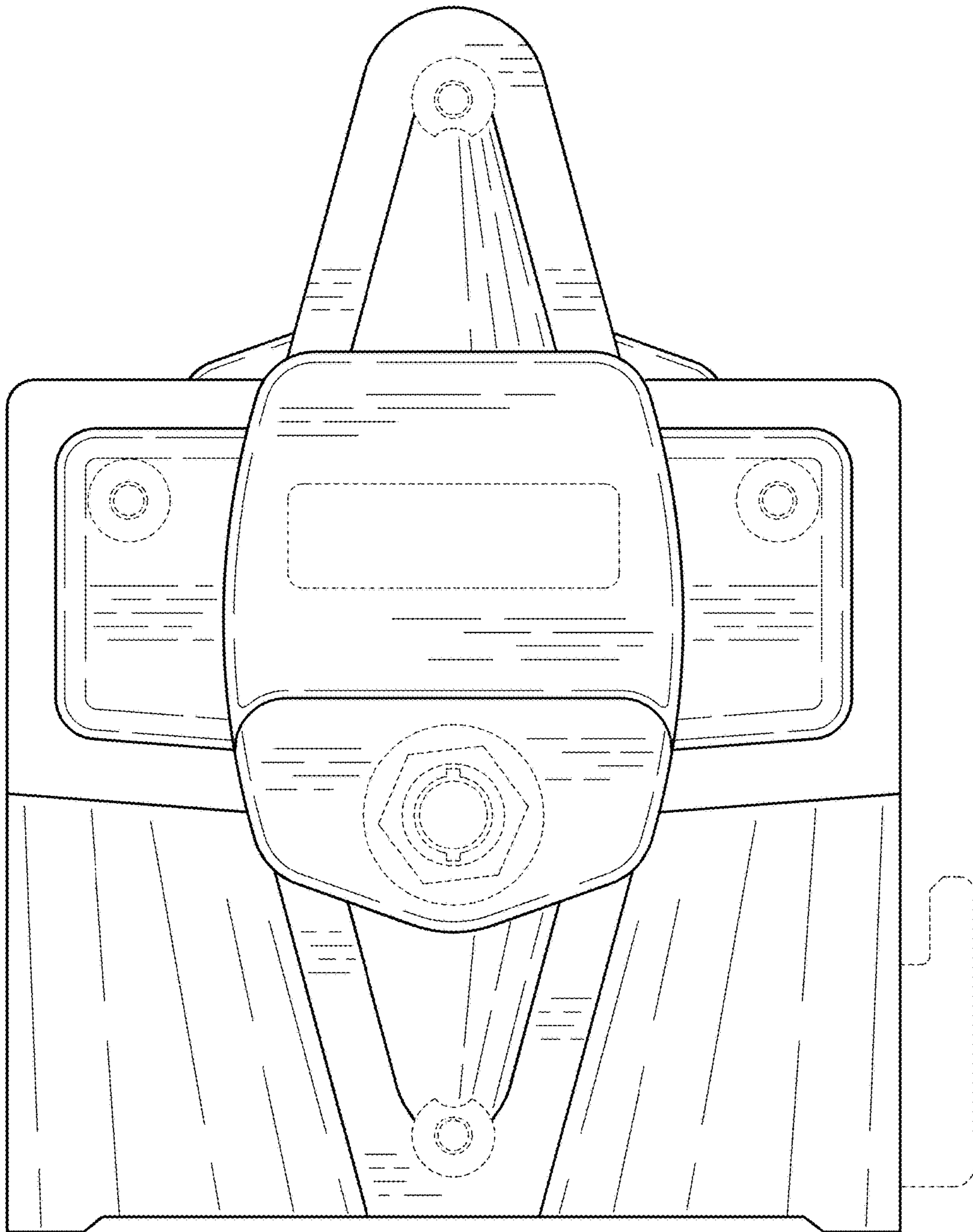


Fig. 3

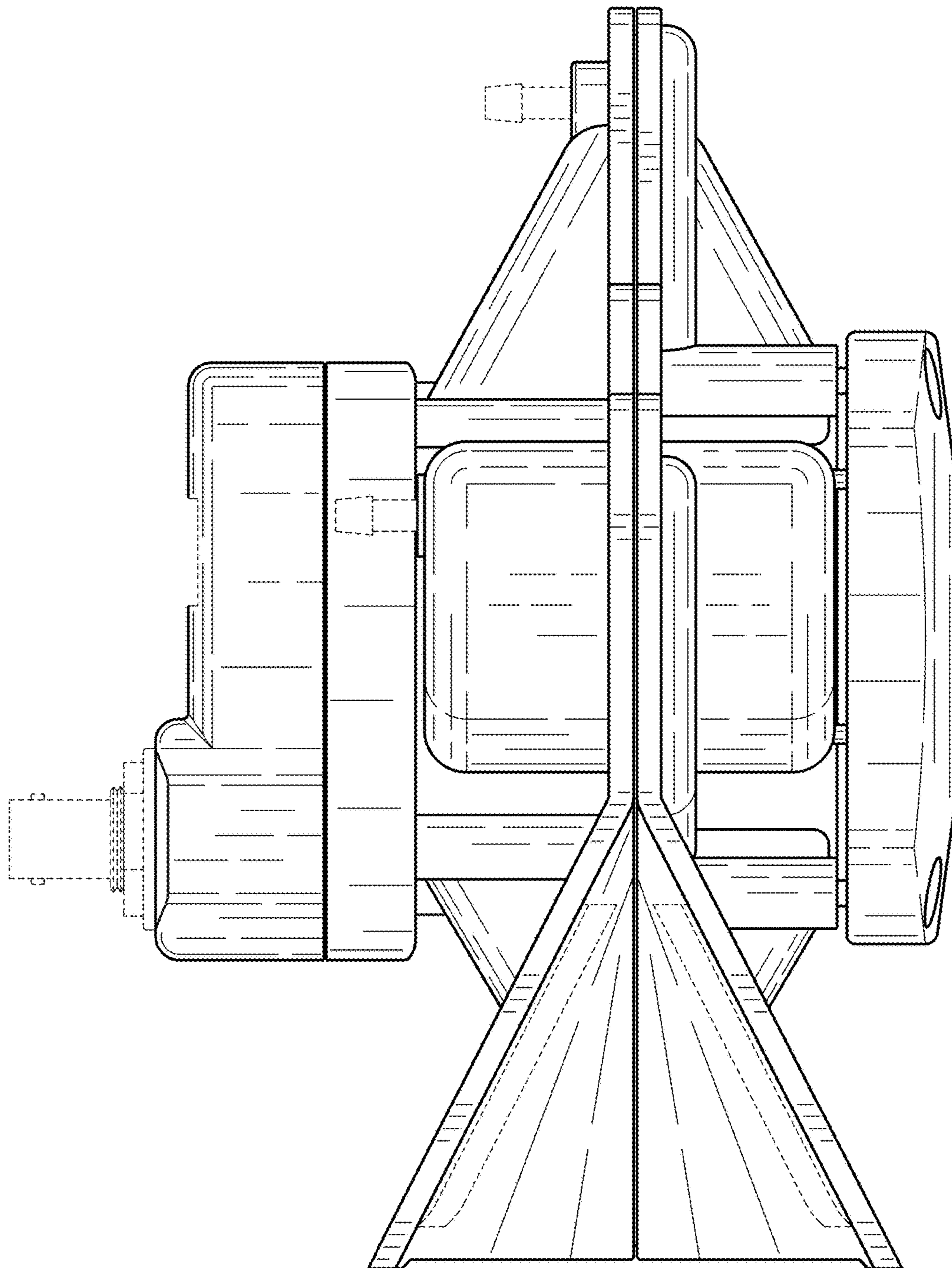


Fig. 4

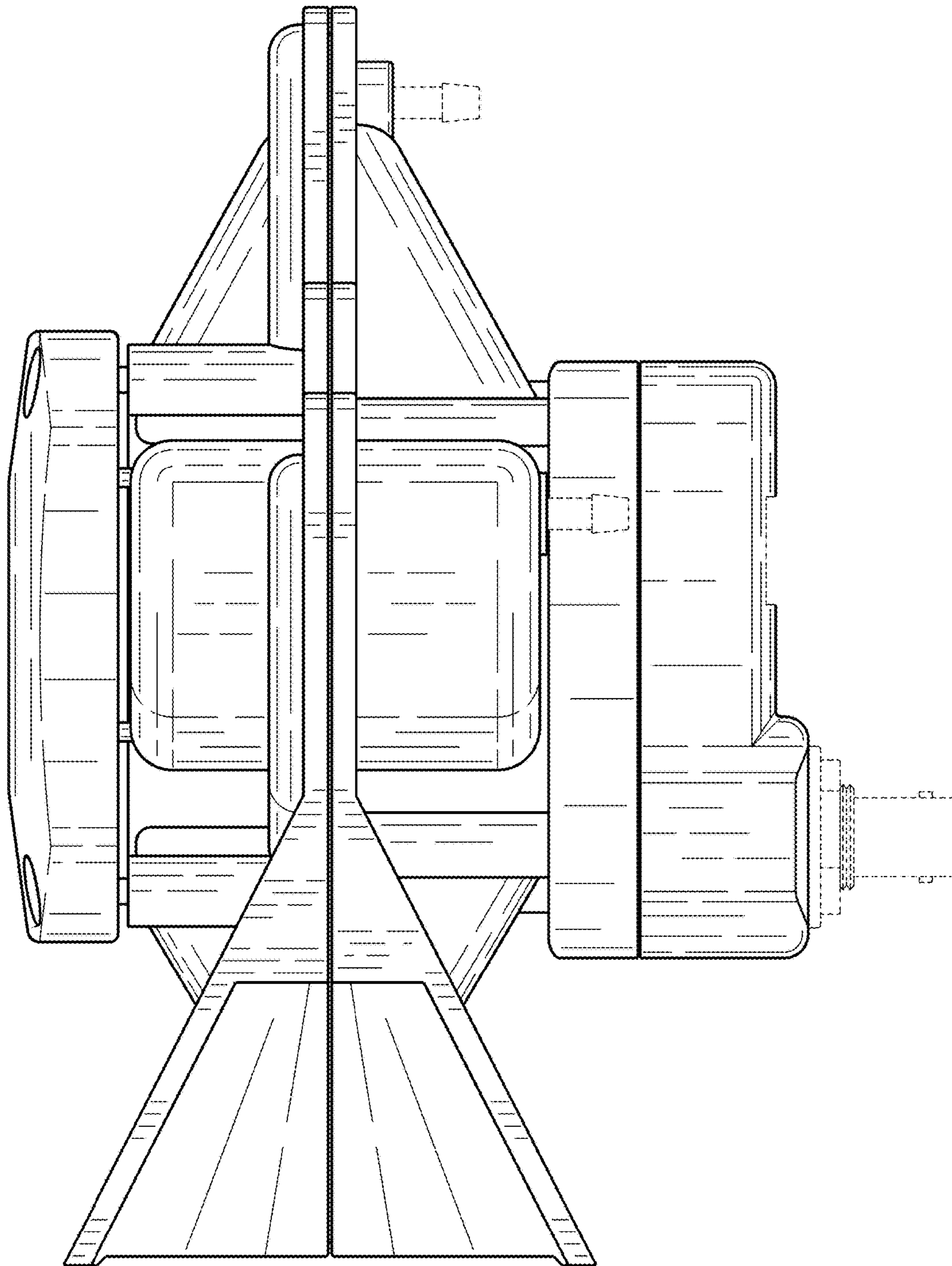


Fig. 5

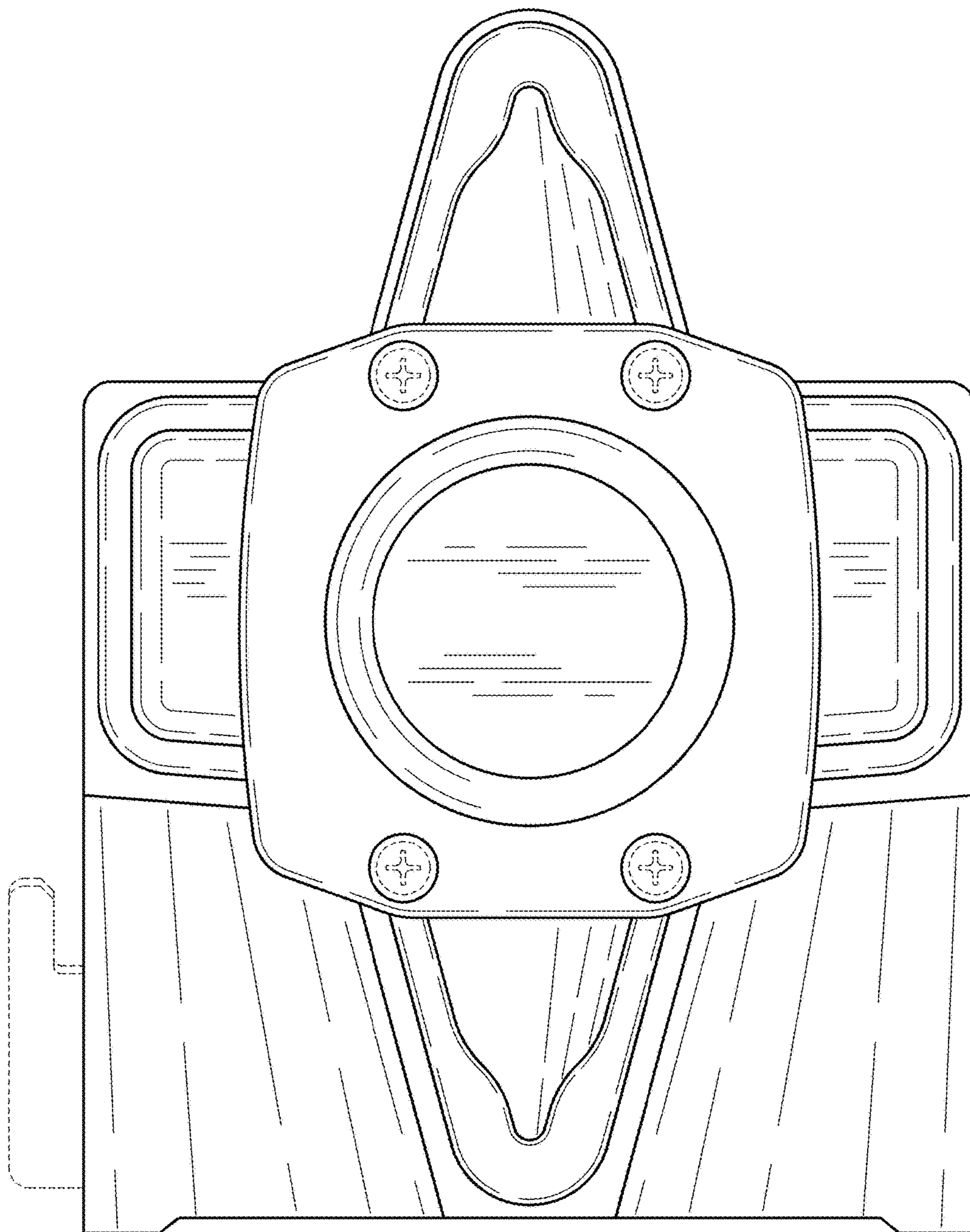


Fig. 6

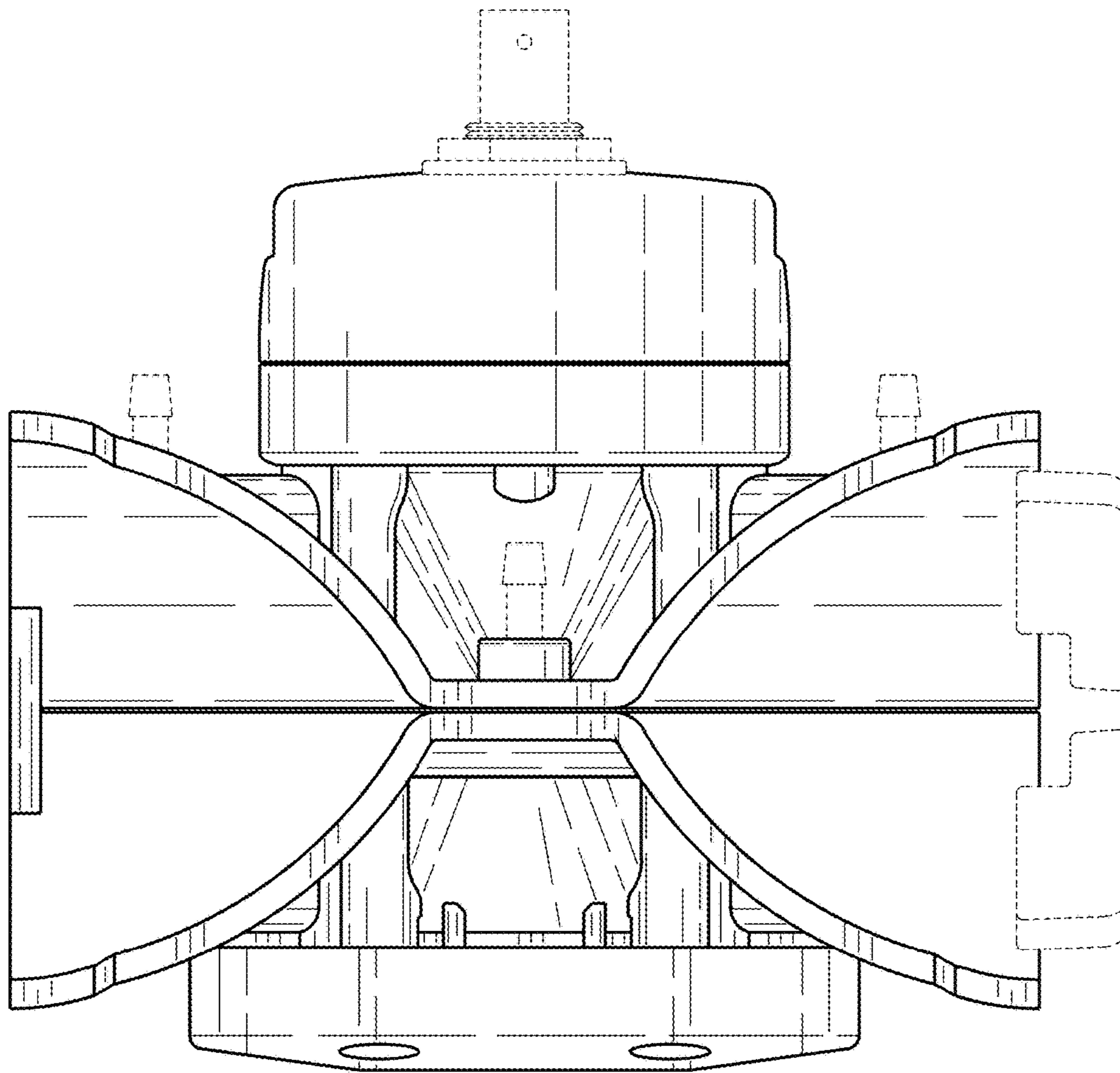


Fig. 7