



US00D797885S

(12) **United States Design Patent**
Hernandez

(10) **Patent No.:** **US D797,885 S**

(45) **Date of Patent:** **** Sep. 19, 2017**

(54) **FISHING ROD HOLDER**

(71) Applicant: **Erick Hernandez**, Ninnekah, OK (US)

(72) Inventor: **Erick Hernandez**, Ninnekah, OK (US)

(**) Term: **15 Years**

(21) Appl. No.: **29/572,141**

(22) Filed: **Jul. 25, 2016**

(51) **LOC (10) Cl.** **22-05**

(52) **U.S. Cl.**

USPC **D22/147**

(58) **Field of Classification Search**

USPC D6/317, 558, 566, 629, 630, 675.2,
D6/676.5, 677.5; D7/600.1-600.4, 601,
D7/602, 678, 690, 693, 704; D19/75, 86,
D19/90, 91, 100; D32/55; D22/147, 148
CPC A47B 43/00; A47B 45/00; A47B 47/03;
A47B 55/02; A47B 73/00; A47B 96/02;
A47B 97/00; A47F 5/0876; A47F 7/28;
A47G 19/08; A47G 29/00; B65D 75/00;
G02B 21/34

See application file for complete search history.

(56) **References Cited**

U.S. PATENT DOCUMENTS

1,091,491 A	3/1914	Ebur	
D100,600 S	7/1936	Luff	
2,059,921 A	11/1936	Weiss	
D157,716 S	3/1950	Wortman	
2,861,761 A	11/1958	Nordell	
D187,276 S *	2/1960	Poglein	248/530
3,058,250 A	10/1962	Thomas	

D194,611 S	2/1963	Faulkner	
3,411,231 A	11/1968	Philbrick	
D315,012 S *	2/1991	Koga	D22/147
D337,911 S *	8/1993	Gibson	D6/566
D481,264 S *	10/2003	Morgan	D7/601
D489,118 S *	4/2004	Preiss	D22/147
D525,675 S *	7/2006	Munn	D22/147
D589,588 S *	3/2009	Begaye	D22/147
7,878,339 B2 *	2/2011	Steffens	A47F 7/0021 211/70.8
D715,103 S *	10/2014	Chen	D7/600.1
D777,294 S *	1/2017	Bell	D22/147

FOREIGN PATENT DOCUMENTS

WO WO0059299 10/2000

* cited by examiner

Primary Examiner — Karen S Acker

Assistant Examiner — S. Bryan Reinholdt, Jr.

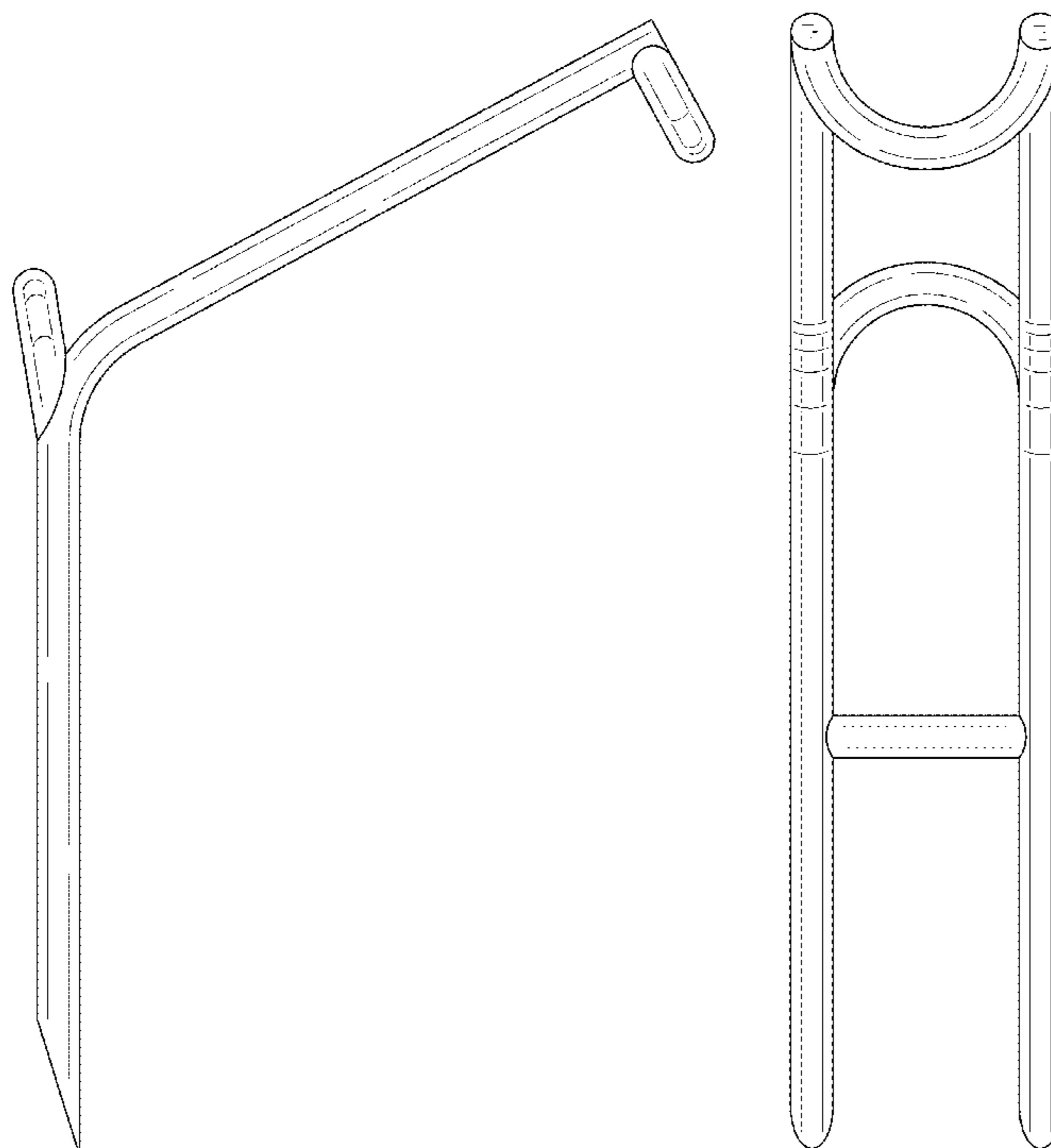
(57) **CLAIM**

The ornamental design for a fishing rod holder, as shown and described.

DESCRIPTION

FIG. 1 is a front view of a fishing rod holder showing my new design, a rear view being a mirror image thereof; FIG. 2 is a left side view of the fishing rod holder; FIG. 3 is a right side view of the fishing rod holder; FIG. 4 is a top view of the fishing rod holder; and, FIG. 5 is a bottom view of the fishing rod holder.

1 Claim, 3 Drawing Sheets



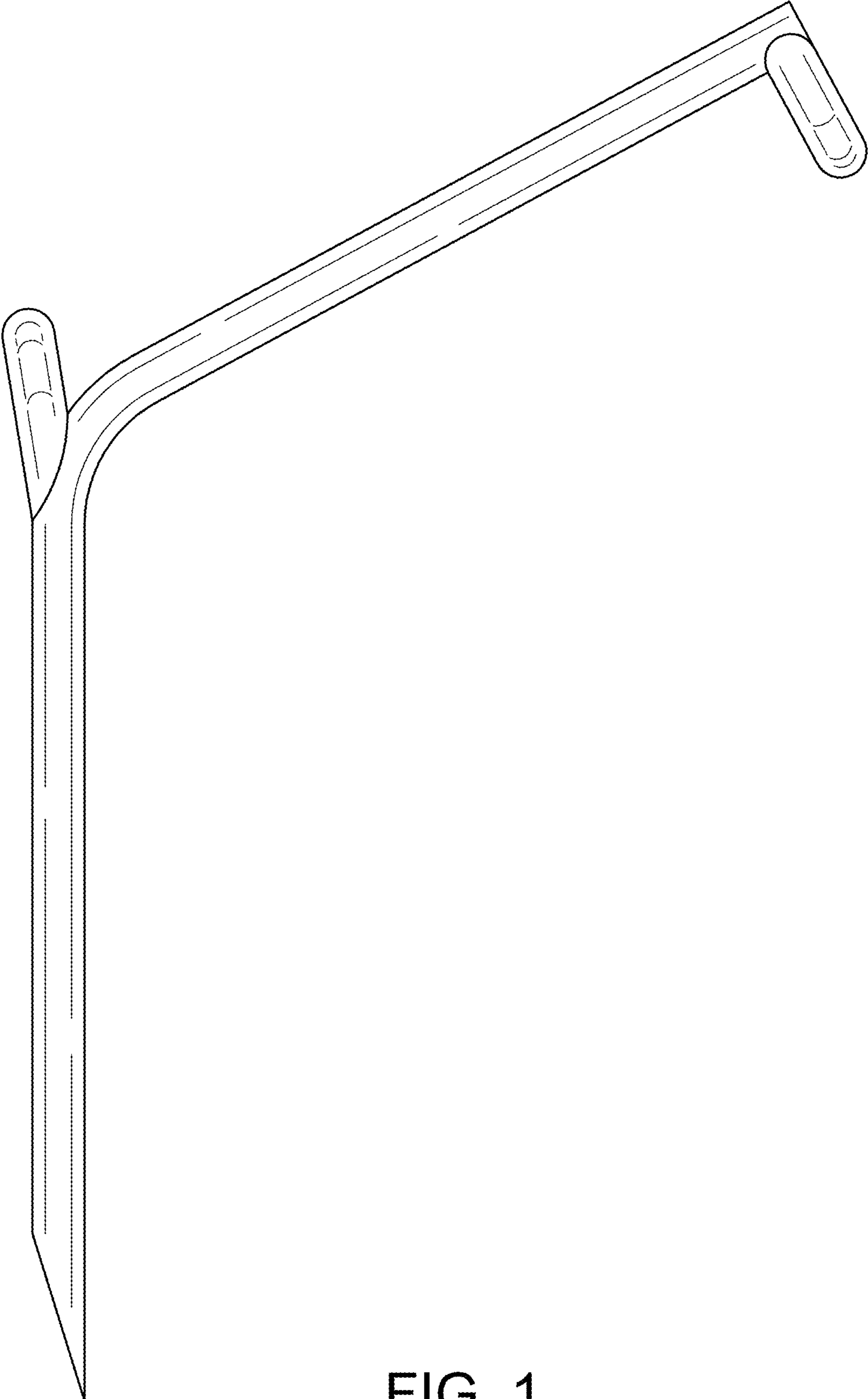


FIG. 1

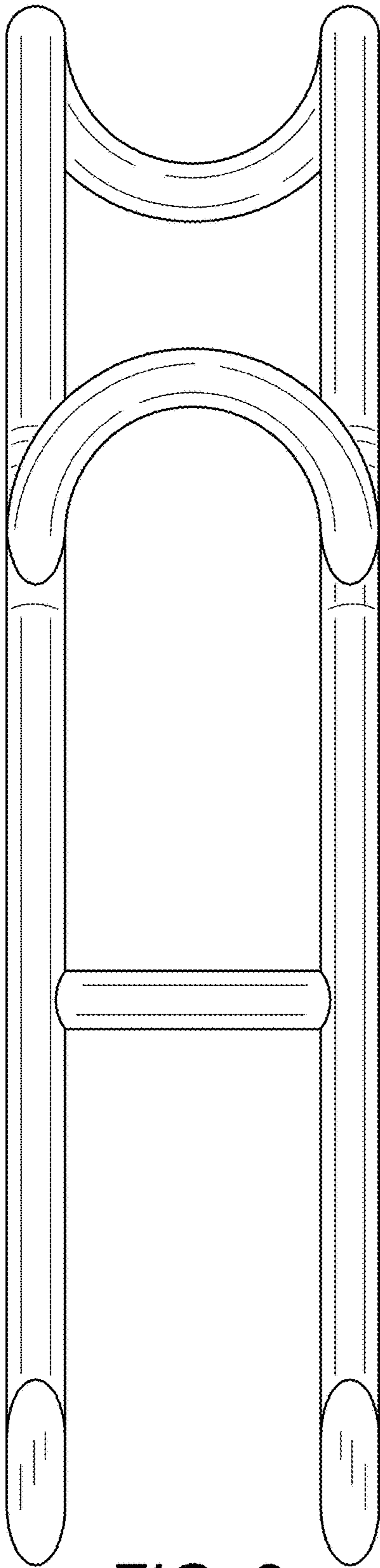


FIG. 2

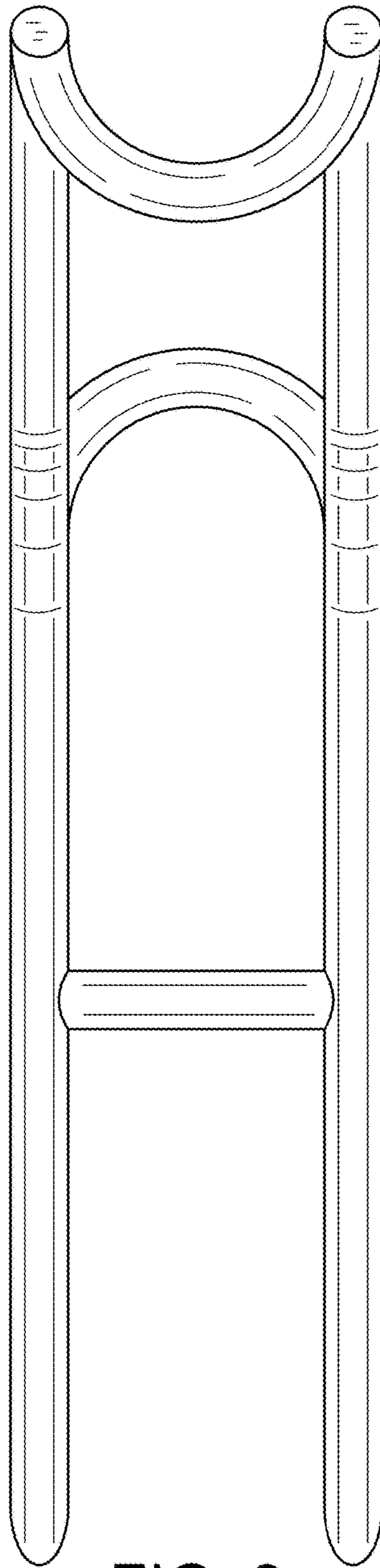


FIG. 3

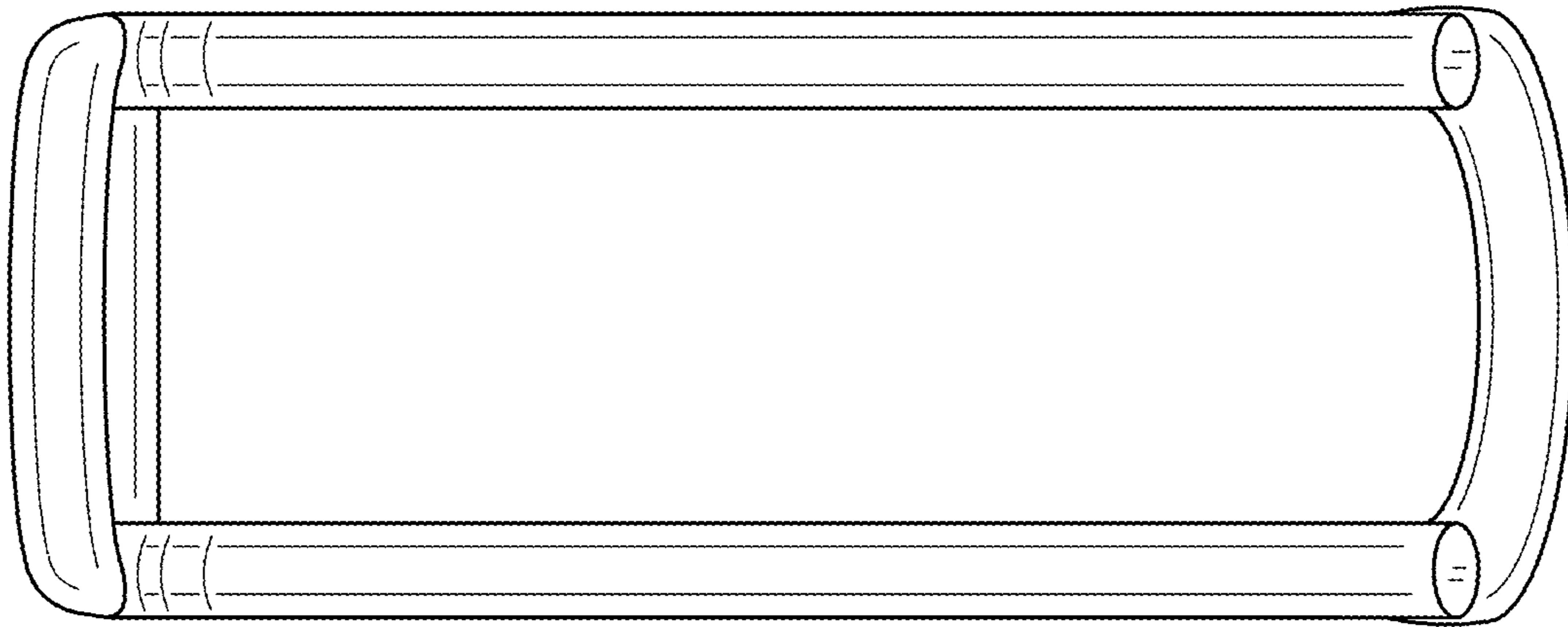


FIG. 4

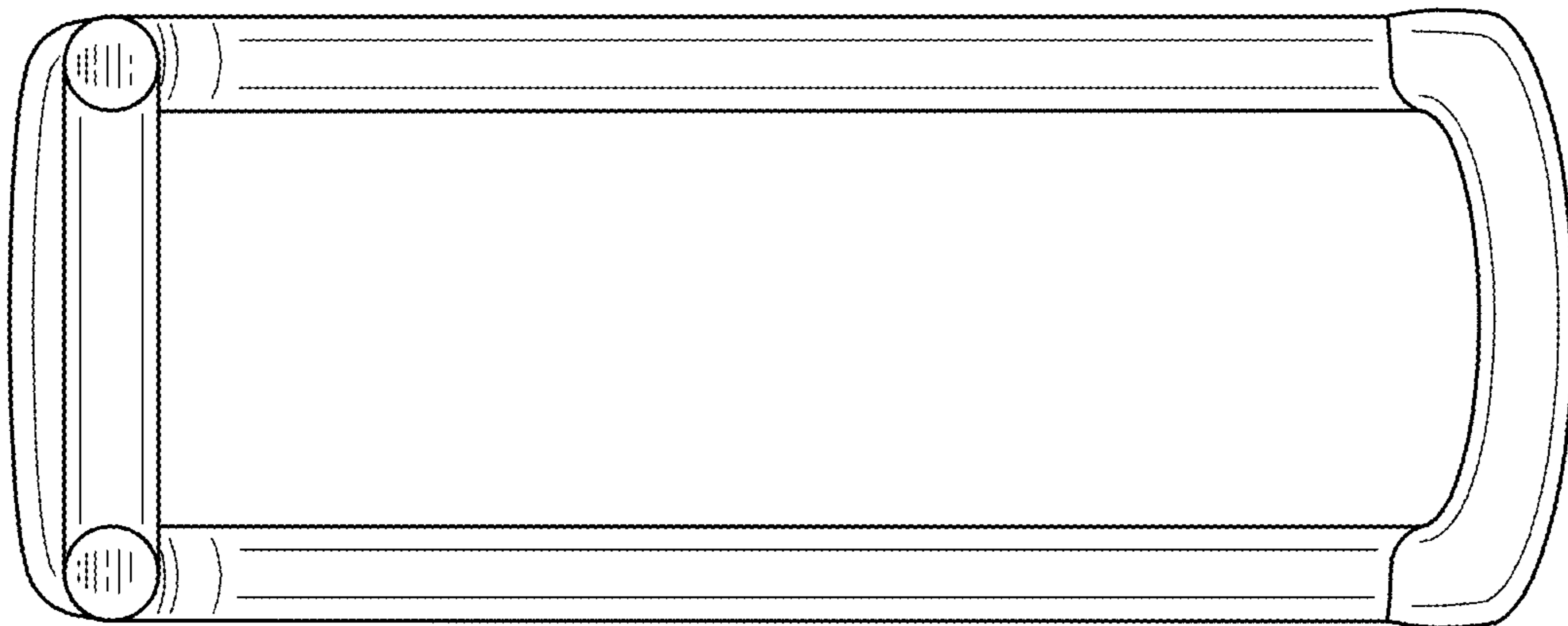


FIG. 5