



US00D797883S

(12) **United States Design Patent**
Dalmau Arnal et al.

(10) **Patent No.:** **US D797,883 S**
(45) **Date of Patent:** **** Sep. 19, 2017**

- (54) **INSECT BARRIER DEVICE**
- (71) Applicant: **Menelaus B.V.**, Nieuwegein (NL)
- (72) Inventors: **Frederic Dalmau Arnal**, Barcelona (ES); **Carles Marti Perez**, Barcelona (ES)
- (73) Assignee: **Menelaus B.V.**, Nieuwegein (NL)
- (**) Term: **15 Years**
- (21) Appl. No.: **29/534,199**
- (22) Filed: **Jul. 27, 2015**
- (30) **Foreign Application Priority Data**
Jan. 27, 2015 (EM) 002620708
- (51) **LOC (10) Cl.** **22-06**
- (52) **U.S. Cl.**
USPC **D22/122**
- (58) **Field of Classification Search**
USPC D22/119-124; D14/204, 216, 221;
D9/424, 428, 432; D13/137.1, 138.1
CPC A01M 1/00; A01M 1/02; A01M 1/06;
A01M 1/10; A01M 1/14; A01M 1/20103;
A01M 1/20; A01M 1/103; A01M 1/106;
A01M 1/165; A01M 1/2005;
A01M 1/2011; A01M 1/2016;
A01M 2200/01; A01M 2200/011; A01M
2200/012; A01M 29/00; A01M 29/12;
A01M 29/16; A01M 29/28; A01M 29/34
See application file for complete search history.

- D551,333 S * 9/2007 Wu D23/366
- D581,479 S * 11/2008 Caserta D22/123
- D610,666 S * 2/2010 Furner D23/366
- 7,840,123 B2 * 11/2010 Belongia A01M 1/2072
362/643
- D707,339 S * 6/2014 Garbusi D23/366
- D736,341 S * 8/2015 Lieberwirth D22/122
- D742,994 S * 11/2015 Mackay D22/122
- 2003/0175171 A1 * 9/2003 Yamamoto A01M 1/2033
422/124
- 2011/0036922 A1 * 2/2011 Bulsink A61L 9/127
239/47
- 2015/0352241 A1 * 12/2015 Furner A61L 9/122
422/105

* cited by examiner

Primary Examiner — Jeffrey D Asch
Assistant Examiner — Rebekah A Caruso
(74) *Attorney, Agent, or Firm* — Thorpe North & Western, LLP

(57) **CLAIM**

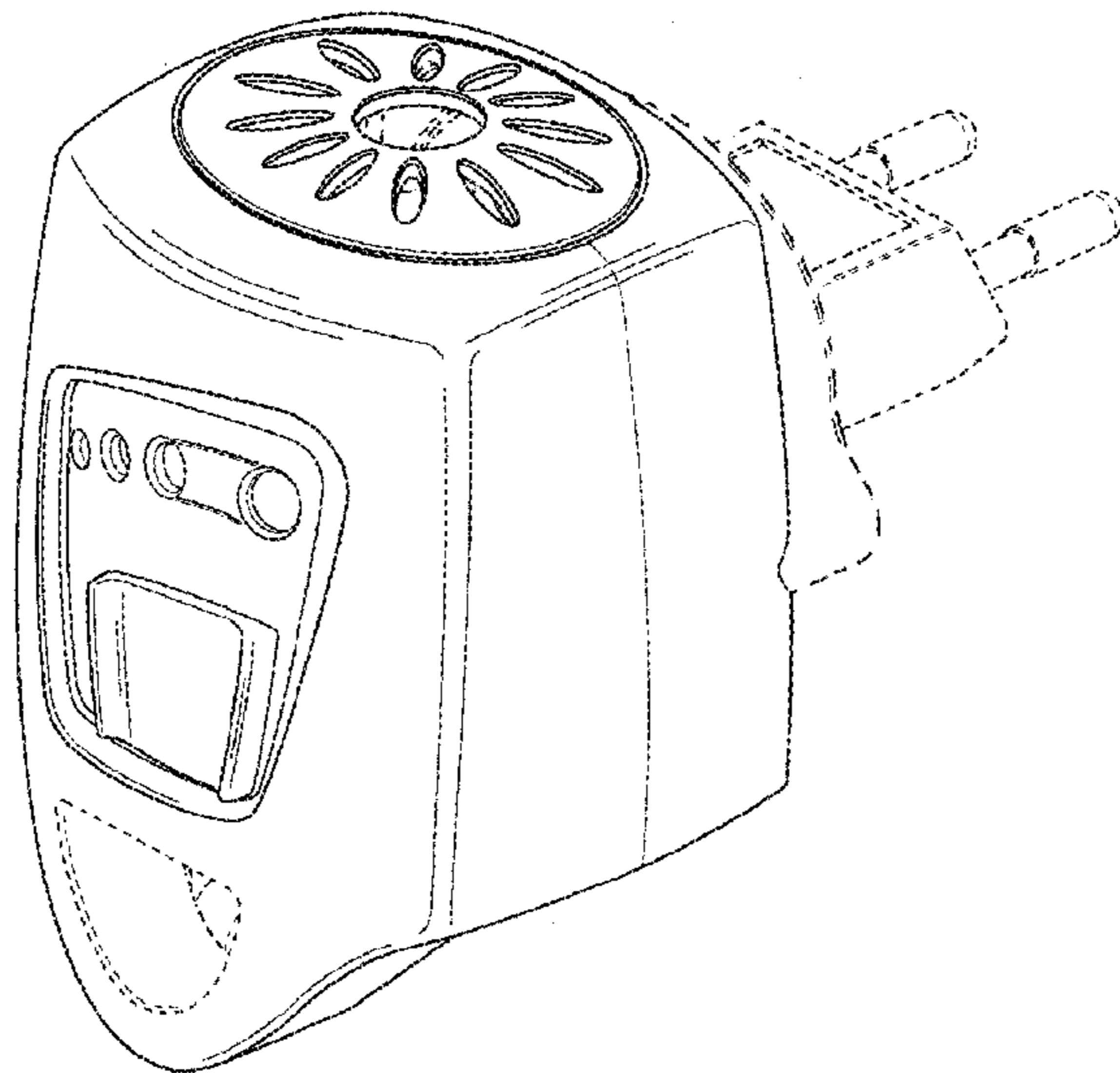
The ornamental design for an insect barrier device, as shown and described.

DESCRIPTION

FIG. 1 is a front perspective view of an insect barrier device embodying our new design;
FIG. 2 is a front elevation view thereof;
FIG. 3 is a rear elevation view thereof;
FIG. 4 is a left side elevation view thereof;
FIG. 5 is a right side elevation view thereof;
FIG. 6 is a top plan view thereof; and,
FIG. 7 is a bottom plan view thereof.
The broken lines shown in the figures that are immediately adjacent to the shaded areas and define unshaded regions represent the bounds of the claim. All other broken lines, including the features within broken line boundaries, are directed to environment. The broken lines form no part of the claimed design.

1 Claim, 7 Drawing Sheets

- (56) **References Cited**
U.S. PATENT DOCUMENTS
D372,513 S * 8/1996 Schneidmiller D22/119
D404,459 S * 1/1999 Furner D22/119
D469,147 S * 1/2003 Levine D22/120



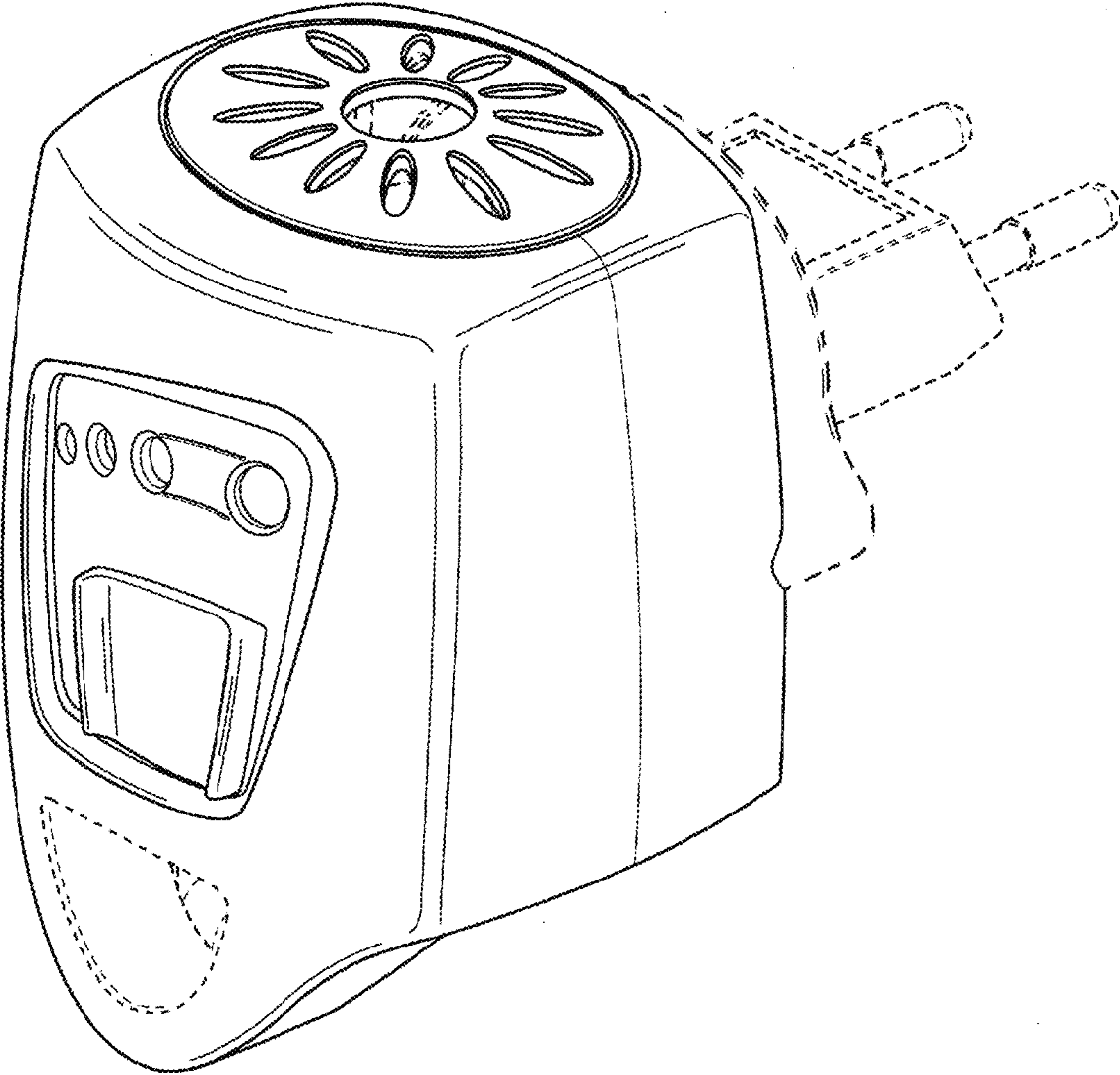


Fig. 1

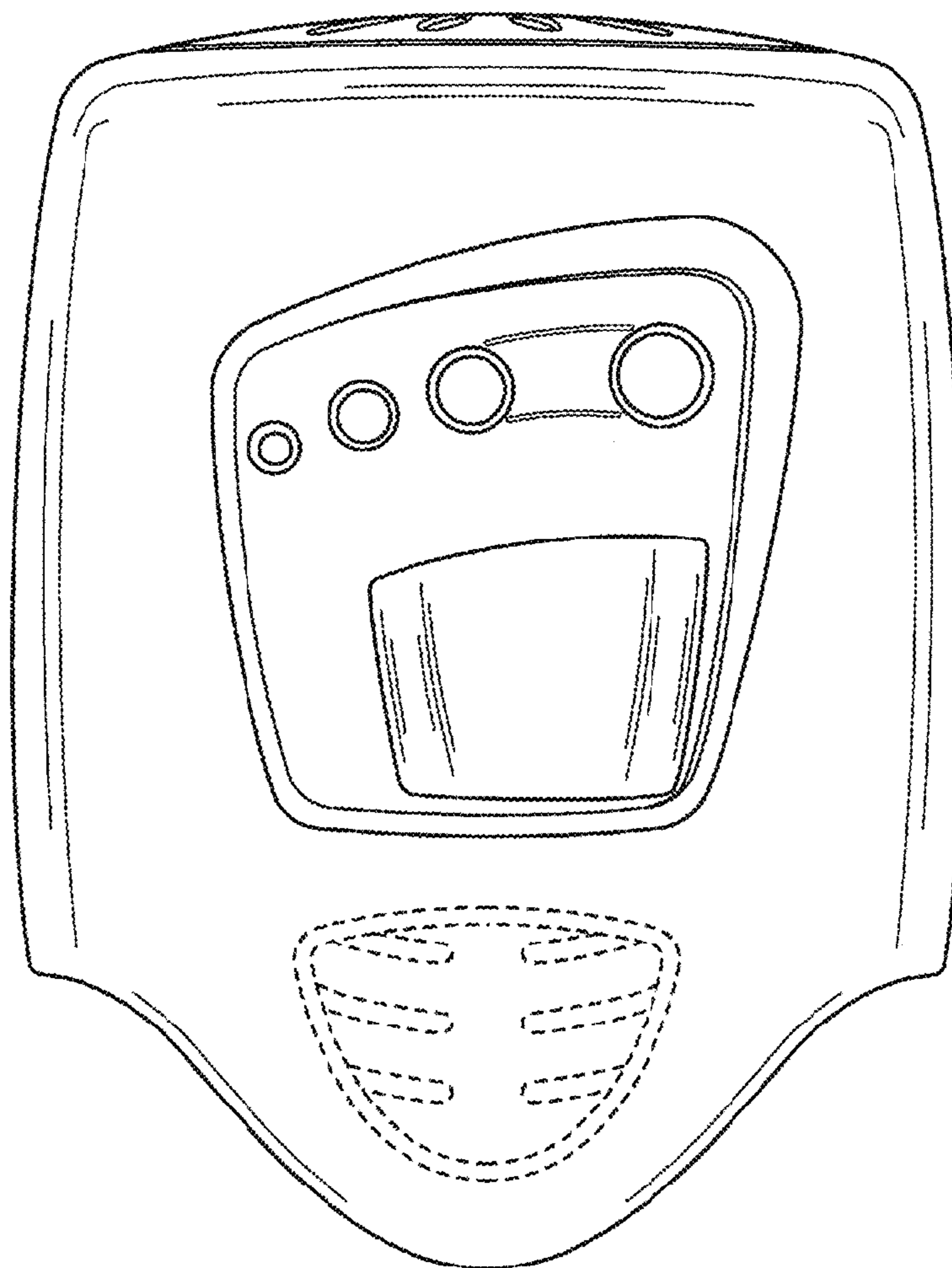


Fig. 2

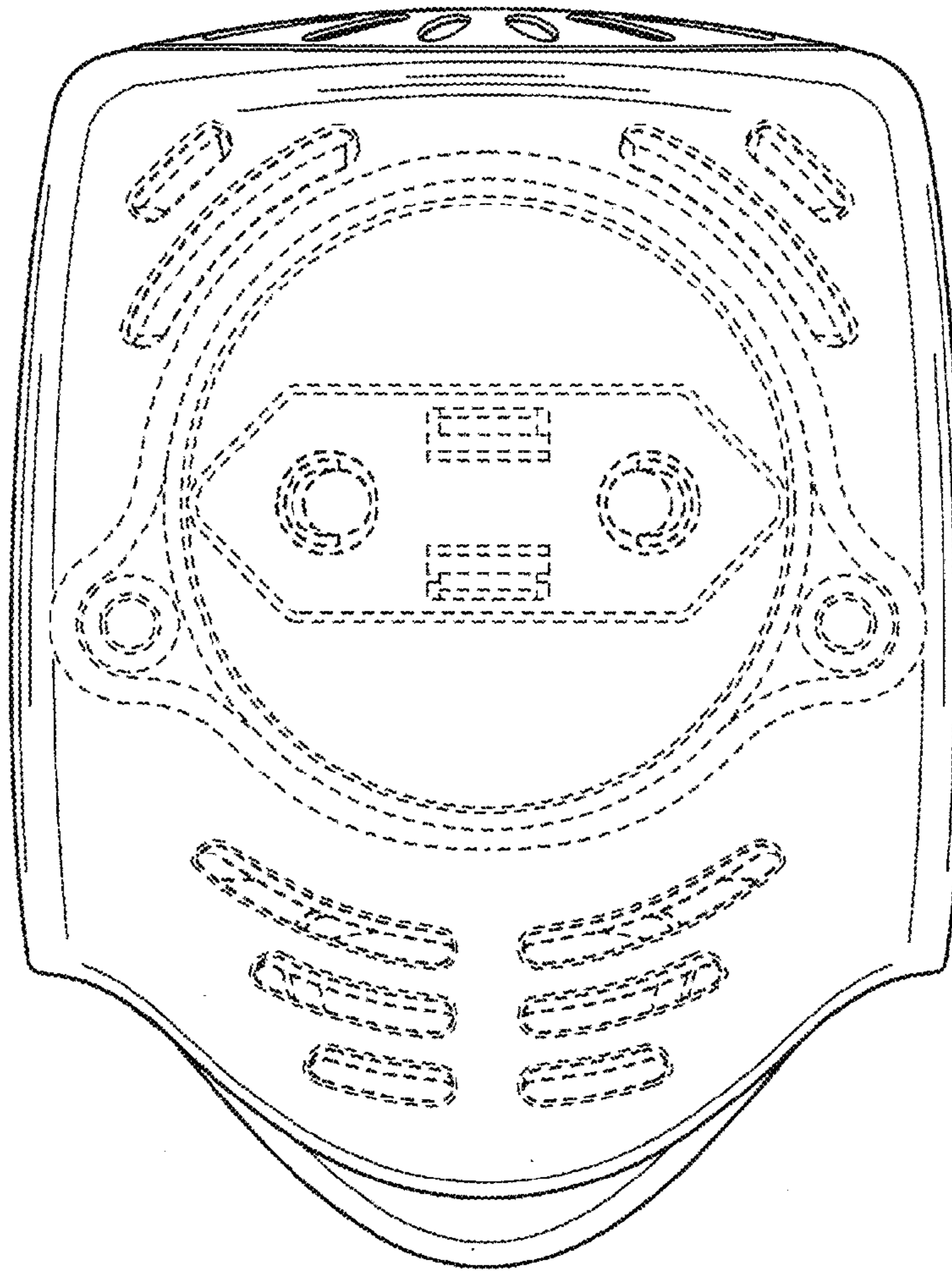


Fig. 3

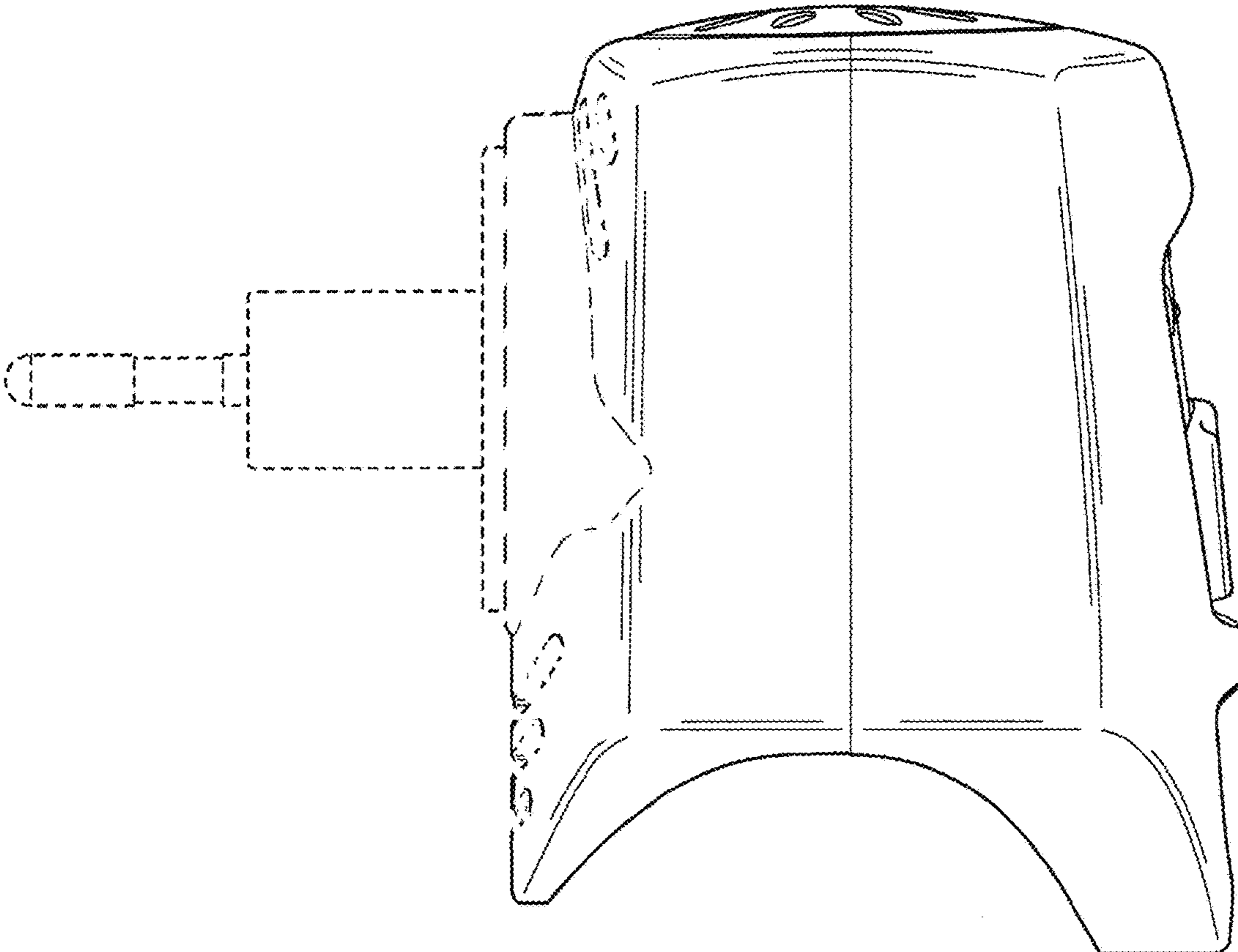


Fig. 4

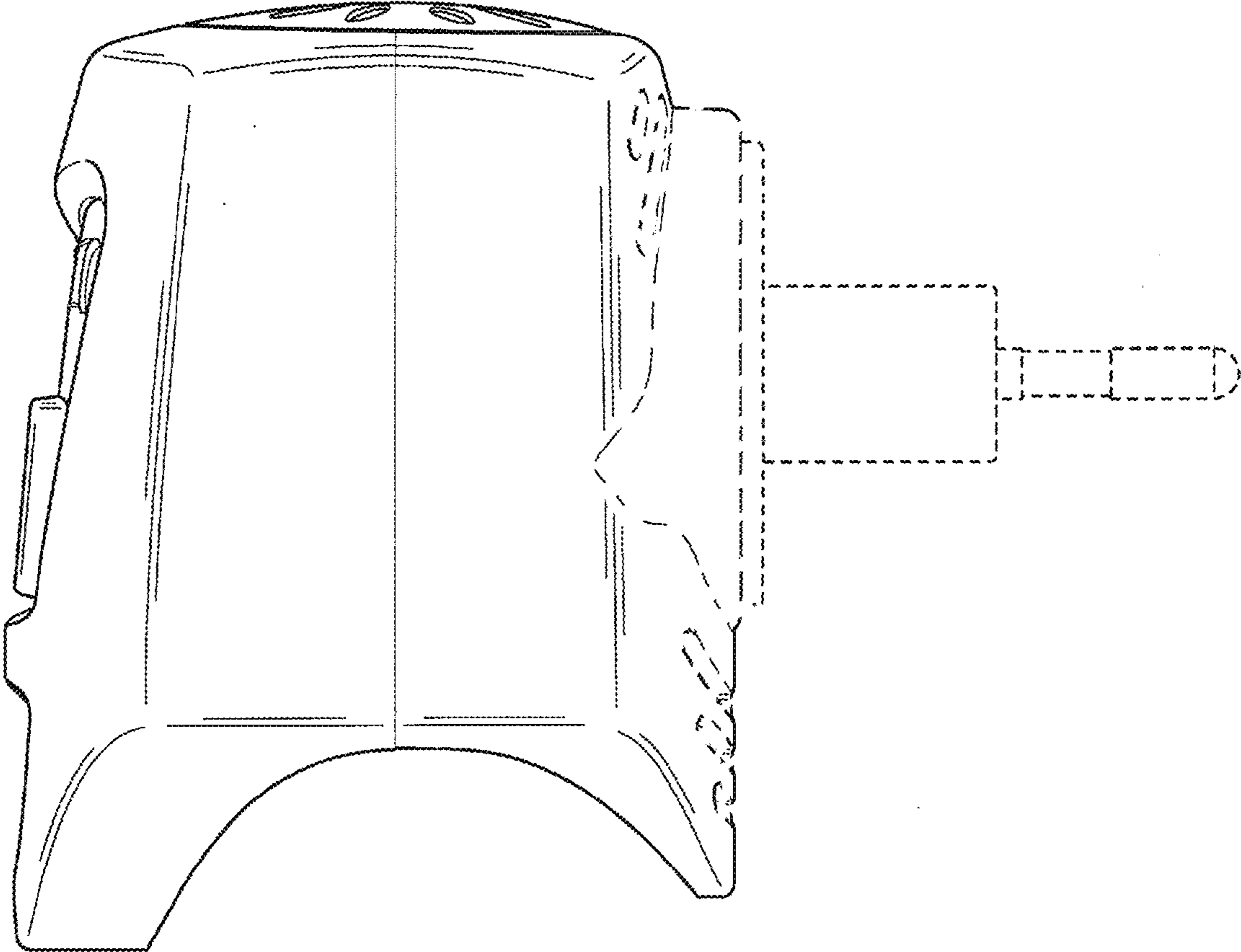


Fig. 5

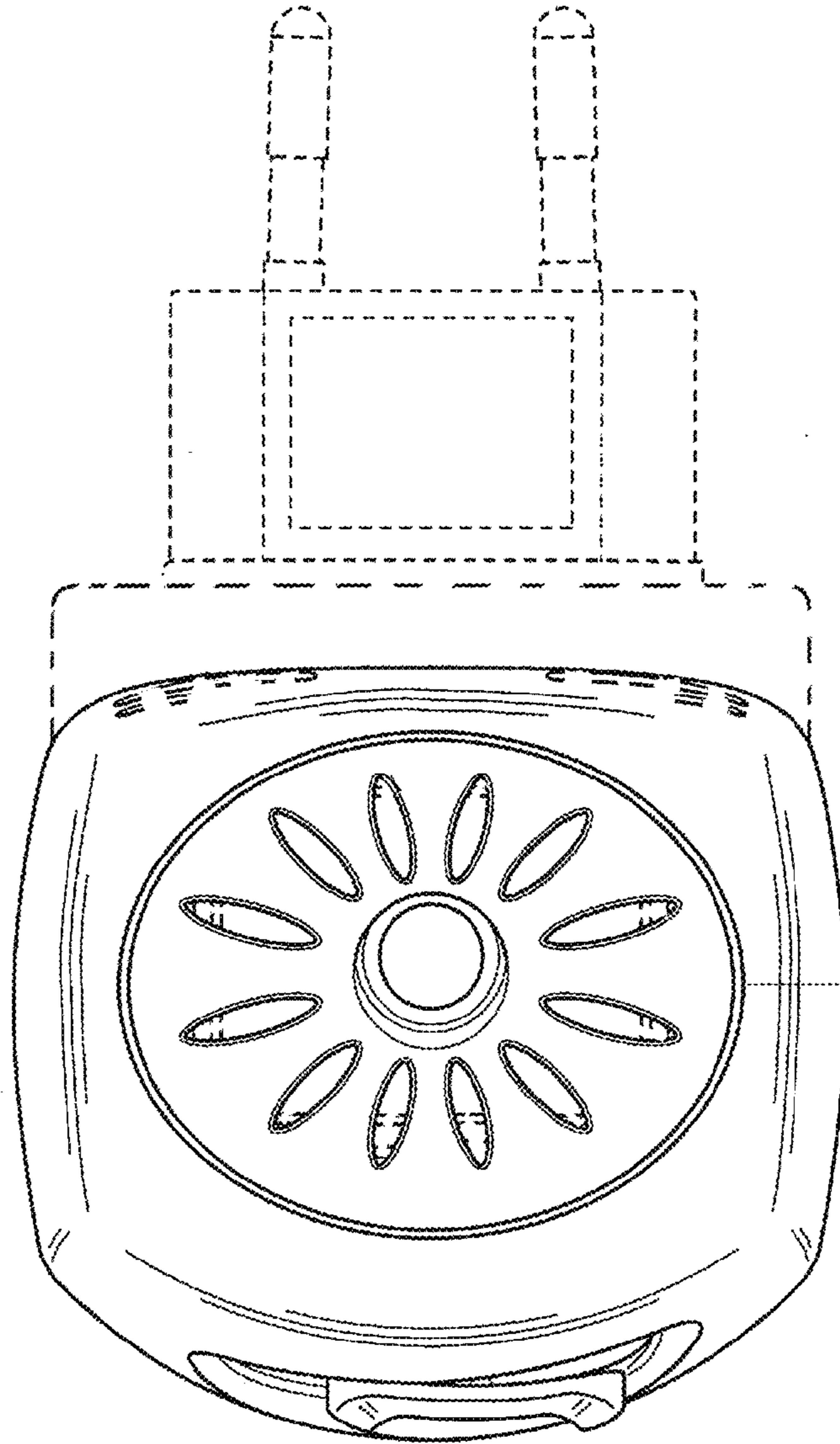


Fig. 6

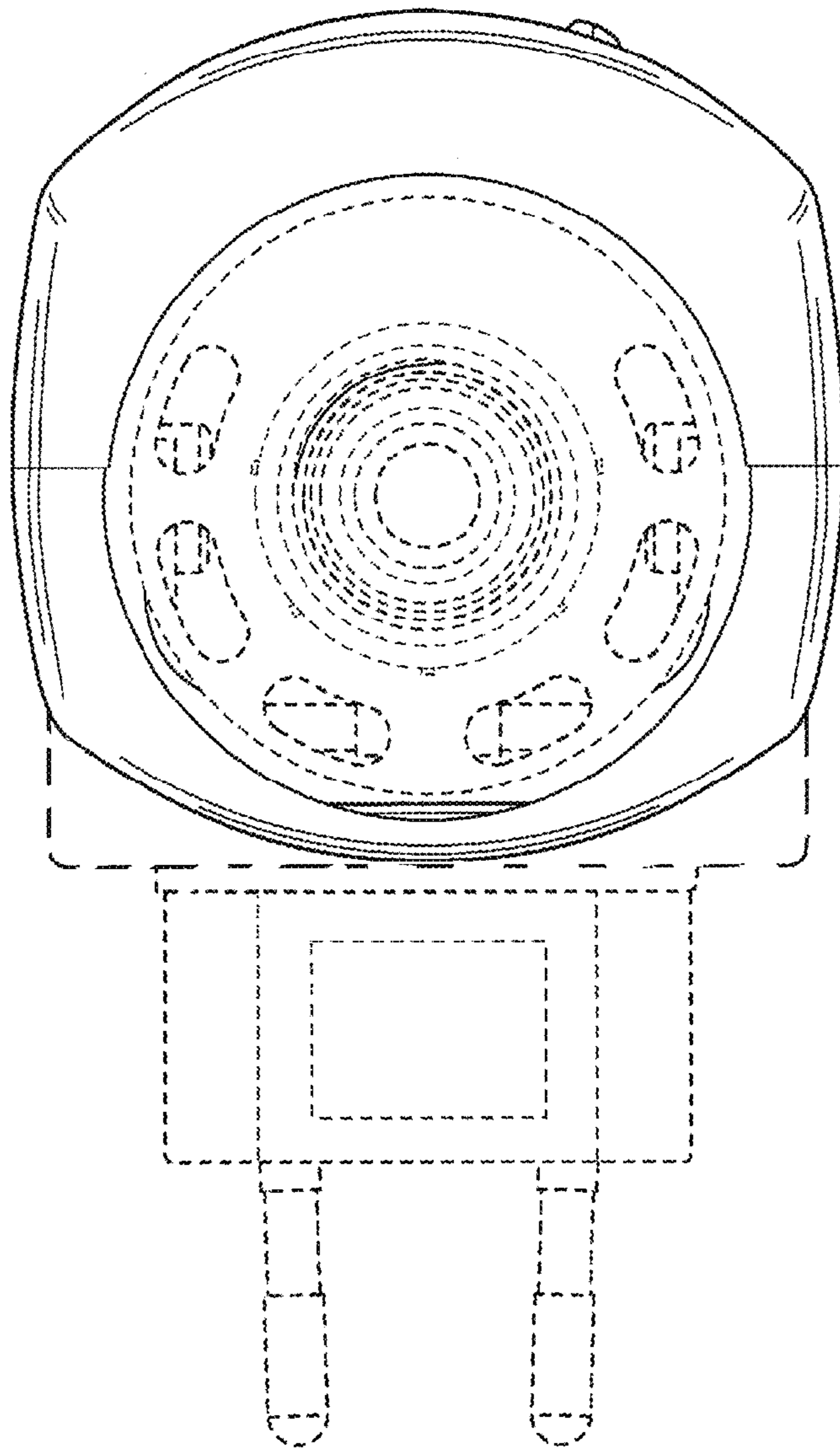


Fig. 7