



US00D797879S

(12) **United States Design Patent** (10) **Patent No.:** **US D797,879 S**
Thomas et al. (45) **Date of Patent:** **** Sep. 19, 2017**

(54) **RIFLE SCOPE**
(71) Applicant: **KRUGER OPTICAL, INC.**, Tiggard, OR (US)
(72) Inventors: **Mark A. Thomas**, Sisters, OR (US); **Mitchell Thomas**, Sisters, OR (US); **Neil Mai**, Beaverton, OR (US)
(73) Assignee: **KRUGER OPTICAL, INC.**, Tigard, OR (US)
(**) Term: **15 Years**
(21) Appl. No.: **29/527,772**
(22) Filed: **May 21, 2015**
(51) **LOC (10) Cl.** **22-01**
(52) **U.S. Cl.**
USPC **D22/109**
(58) **Field of Classification Search**
USPC D22/108-111; D16/132; 42/85, 111, 42/114, 118, 119, 133, 144, 145, 146; D26/49
See application file for complete search history.

D629,545 S * 12/2010 Deguglimo D26/49
D630,783 S * 1/2011 Baker D26/49
D635,702 S * 4/2011 Hesse et al.
D637,747 S * 5/2011 Hesse D26/49
8,116,015 B2 * 2/2012 Hamilton G02B 23/16
359/818
D715,392 S * 10/2014 Cheng D22/109
D721,780 S * 1/2015 Cheng D22/109
D725,218 S * 3/2015 Iosilevsky D22/108
D728,062 S * 4/2015 Hamilton D22/109
9,324,218 B2 * 4/2016 Stewart G08B 7/00
D767,706 S * 9/2016 Shults D22/108
D767,805 S * 9/2016 Son D26/49
D770,071 S * 10/2016 Windom D26/49
D773,001 S * 11/2016 Sweney D22/108
D774,230 S * 12/2016 Prieto D26/49
D779,622 S * 2/2017 Thomas D22/109
D786,384 S * 5/2017 Saadon D22/108

(Continued)

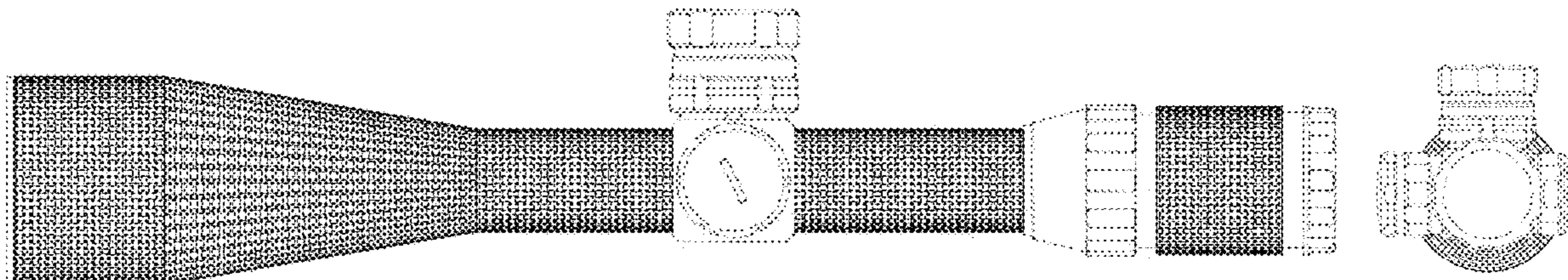
Primary Examiner — Kevin Rudzinski
Assistant Examiner — Kathleen Jones
(74) *Attorney, Agent, or Firm* — Timothy E. Siegel Patent Law, PLLC; Timothy E. Siegel

(57) **CLAIM**
The ornamental design for a rifle scope, as shown and described.

(56) **References Cited**
U.S. PATENT DOCUMENTS
D165,231 S * 11/1951 Kieffer, III et al. D16/132
D272,916 S * 3/1984 Tomatsuri D16/132
D287,136 S * 12/1986 Murray, Jr. D16/132
D288,210 S * 2/1987 Mise D16/132
D330,036 S * 10/1992 Owens D16/132
D476,714 S * 7/2003 Meinzer D22/109
D486,935 S * 2/2004 Shiu D26/49
D511,586 S * 11/2005 Yeh D26/37
D560,986 S * 2/2008 Adkins D8/29
D561,366 S * 2/2008 Wang D26/37
D594,494 S * 6/2009 Chujo D16/132
D603,436 S * 11/2009 Hamilton D16/132

DESCRIPTION
FIG. 1 is a left side view of a rifle scope in accordance with the present invention.
FIG. 2 is a front view of the rifle scope of FIG. 1.
FIG. 3 is a rear view of the rifle scope of FIG. 1.
FIG. 4 is a right side view of the rifle scope of FIG. 1.
FIG. 5 is a top view of the rifle scope of FIG. 1; and, FIG. 6 is a bottom view of the rifle scope of FIG. 1.
The broken lines in the figures are included for the purpose of illustrating portions of the rifle scope and form no part of the claimed design.

1 Claim, 2 Drawing Sheets



(56)

References Cited

U.S. PATENT DOCUMENTS

2006/0262391 A1* 11/2006 Thomas F41G 1/38
359/422
2007/0068058 A1* 3/2007 Remo F41G 11/003
42/122
2009/0000176 A1* 1/2009 Robitaille F41H 3/00
42/119
2013/0212922 A1* 8/2013 Thomas F41G 1/065
42/119
2015/0124243 A1* 5/2015 Stockdill F41G 1/38
356/16
2016/0313083 A1* 10/2016 Troy, Jr. F41A 35/02
2016/0327364 A1* 11/2016 Walker F41G 1/38
2017/0102213 A1* 4/2017 Bartoszewicz F41G 11/003

* cited by examiner

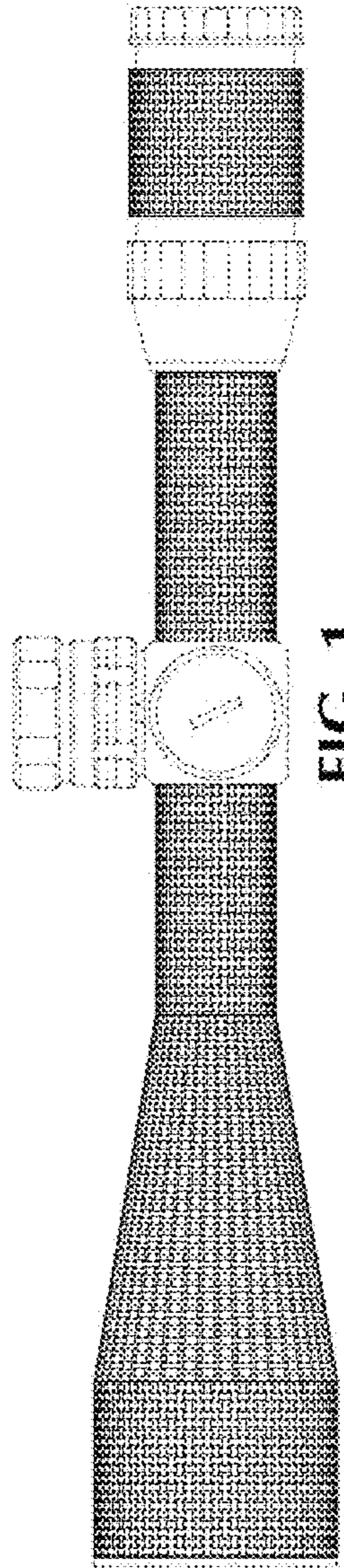


FIG. 1

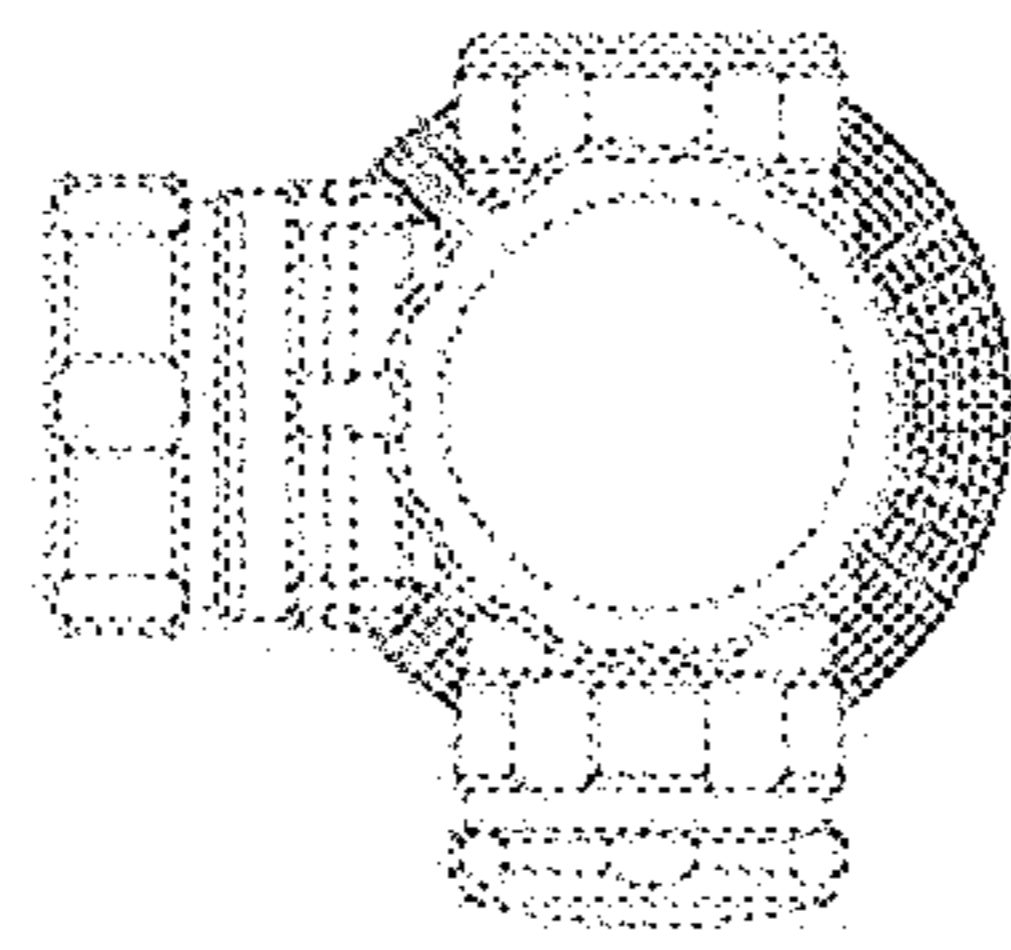


FIG. 2

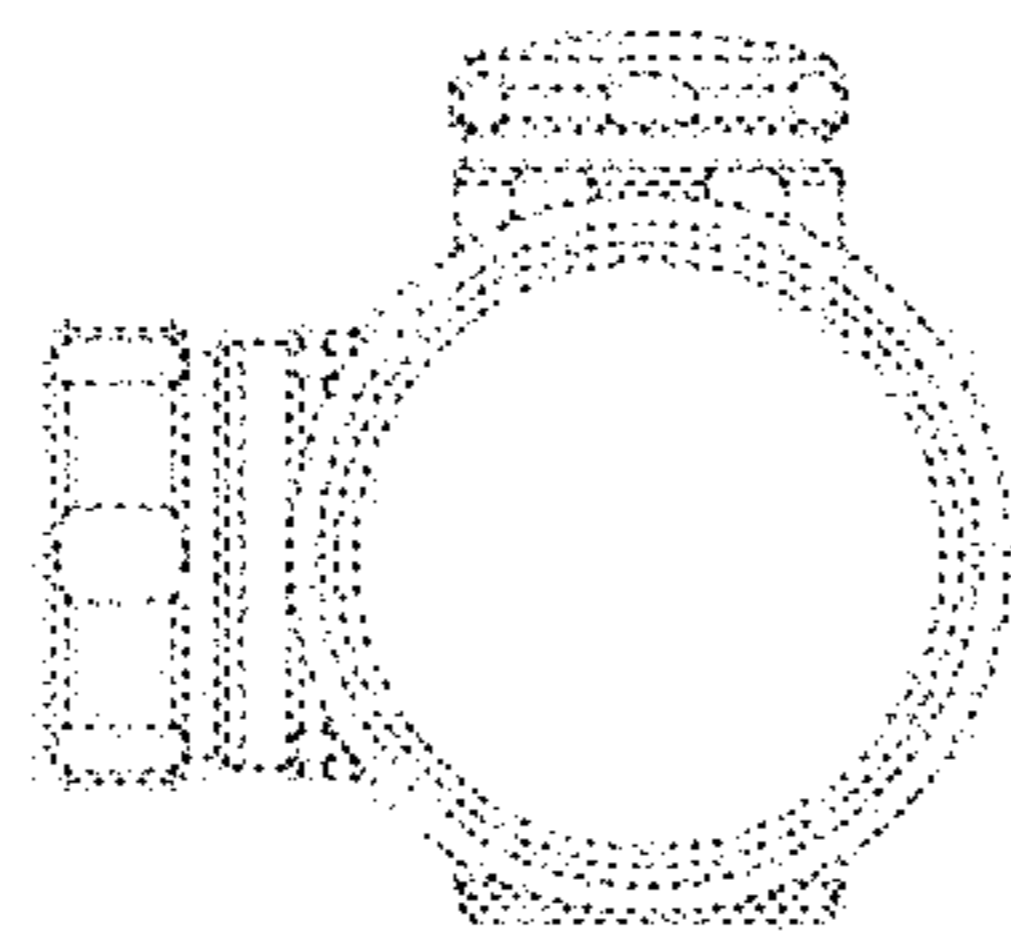


FIG. 3

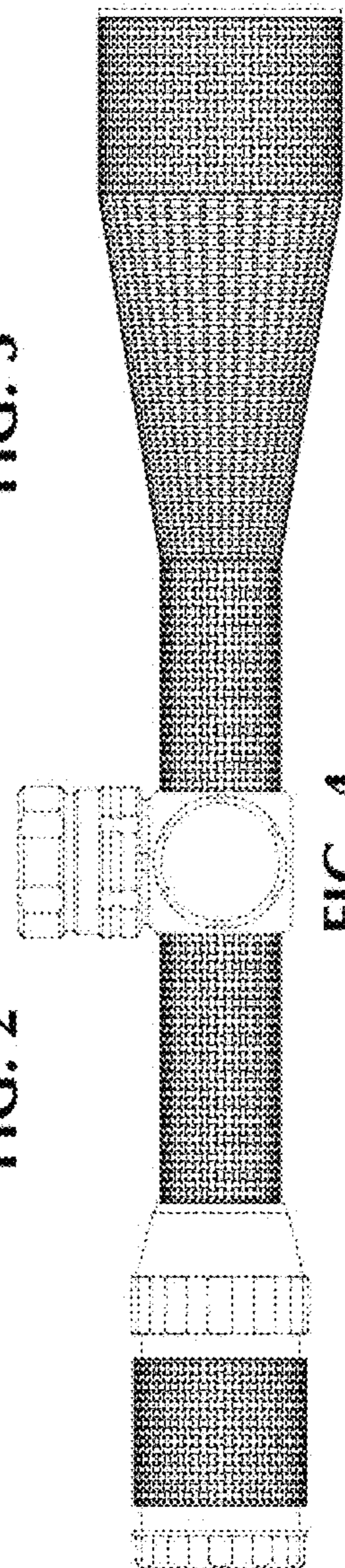


FIG. 4

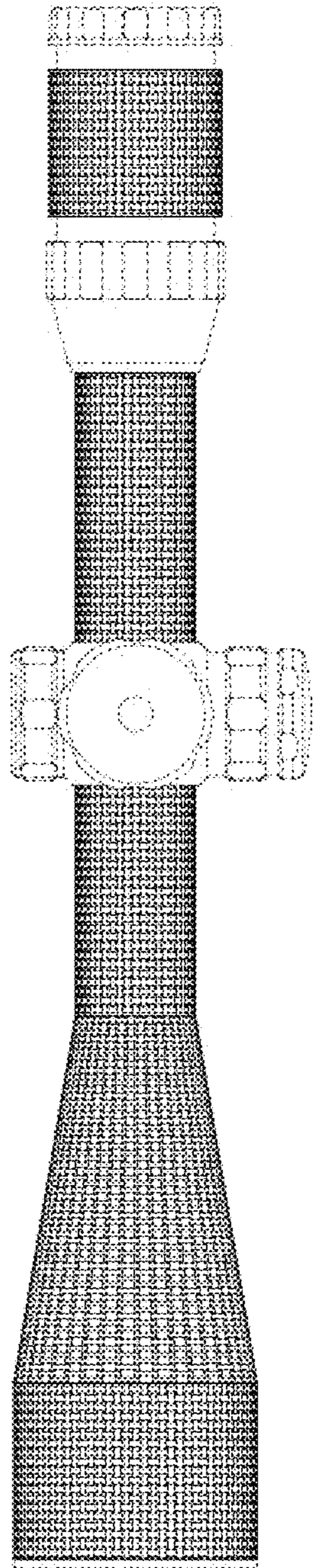


FIG. 5

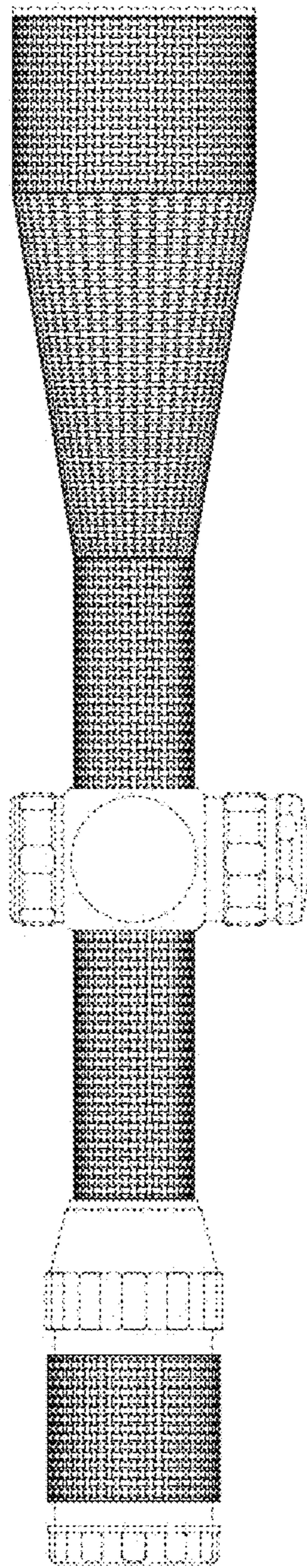


FIG. 6