

US00D797878S

(12) **United States Design Patent**
Wang

(10) **Patent No.:** **US D797,878 S**

(45) **Date of Patent:** **** Sep. 19, 2017**

(54) **DIMPLED BOLT CATCH**

(71) Applicant: **Roger Wang**, Pacific Palisades, CA
(US)

(72) Inventor: **Roger Wang**, Pacific Palisades, CA
(US)

(**) Term: **15 Years**

(21) Appl. No.: **29/564,515**

(22) Filed: **May 13, 2016**

Related U.S. Application Data

(63) Continuation-in-part of application No. 29/516,942,
filed on Feb. 7, 2015, now Pat. No. Des. 760,862.

(51) **LOC (10) Cl.** **22-01**

(52) **U.S. Cl.**
USPC **D22/108**

(58) **Field of Classification Search**

USPC D22/103, 108; D21/572-575
CPC F41C 23/00; F41C 27/00; F41C 27/06;
F41C 23/10; F41C 23/14; F41C 23/16;
F41C 23/18; F41A 5/18; F41A 5/24;
F41A 21/28

See application file for complete search history.

(56) **References Cited**

U.S. PATENT DOCUMENTS

- D652,468 S * 1/2012 Burt D22/108
- 8,261,652 B2 * 9/2012 Findlay F41A 17/36
42/70.02
- 8,327,749 B2 * 12/2012 Underwood F41A 9/59
42/18
- 8,359,966 B1 * 1/2013 Brotherton F41A 3/68
42/70.02
- 8,984,786 B2 * 3/2015 Underwood F41A 9/59
42/18
- 9,016,188 B2 * 4/2015 Larson F41A 5/28
89/193
- 9,429,375 B2 * 8/2016 DeSomma F41A 3/66

- D770,589 S * 11/2016 Underwood F41A 9/59
D22/108
 - 9,541,339 B2 * 1/2017 Orne, III F41A 3/72
 - 9,551,545 B1 * 1/2017 Rowe F41A 19/06
 - D784,478 S * 4/2017 Therrell D22/108
 - 9,651,328 B1 * 5/2017 Oglesby F41A 17/42
- (Continued)

OTHER PUBLICATIONS

www-santantactical.com_stt-1288.

Primary Examiner — Michael A. Pratt

(74) *Attorney, Agent, or Firm* — Shaddock Law Group,
PC

(57) **CLAIM**

The ornamental design for a dimpled bolt catch, as shown
and described.

DESCRIPTION

FIG. 1 is an upper, left, front, perspective view of an
exemplary embodiment of the dimpled bolt catch, showing
my new design;

FIG. 2 is an upper, right, front, perspective view thereof;

FIG. 3 is a lower, right, front, perspective view thereof;

FIG. 4 is a lower, right, front, perspective view thereof;

FIG. 5 is an upper, left, rear, perspective view thereof;

FIG. 6 is an upper, right, rear, perspective view thereof;

FIG. 7 is a lower, left, rear, perspective view thereof;

FIG. 8 is a lower, right, rear, perspective view thereof;

FIG. 9 is a front view thereof;

FIG. 10 is a rear view thereof;

FIG. 11 is a right side view thereof;

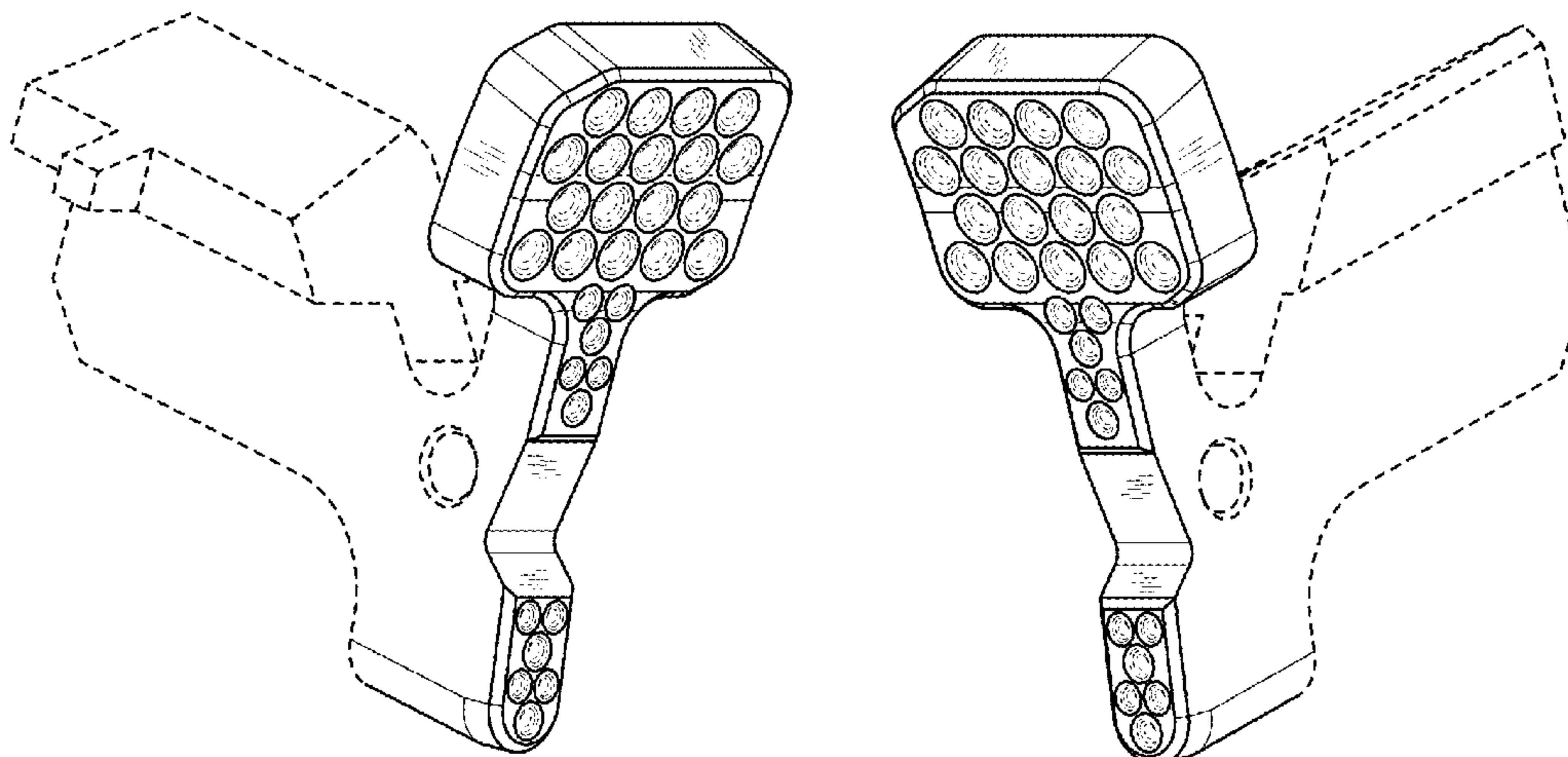
FIG. 12 is a left side view thereof;

FIG. 13 is a top view thereof; and,

FIG. 14 is a bottom view thereof.

The broken lines shown throughout the various figures
depict additional structures that form no part of the claimed
design.

1 Claim, 7 Drawing Sheets



(56)

References Cited

U.S. PATENT DOCUMENTS

2003/0208940 A1* 11/2003 Johnson F41A 3/12
42/18
2006/0123683 A1* 6/2006 Garrett F41A 17/38
42/6
2014/0237878 A1* 8/2014 Lambert F41A 3/66
42/75.01

* cited by examiner

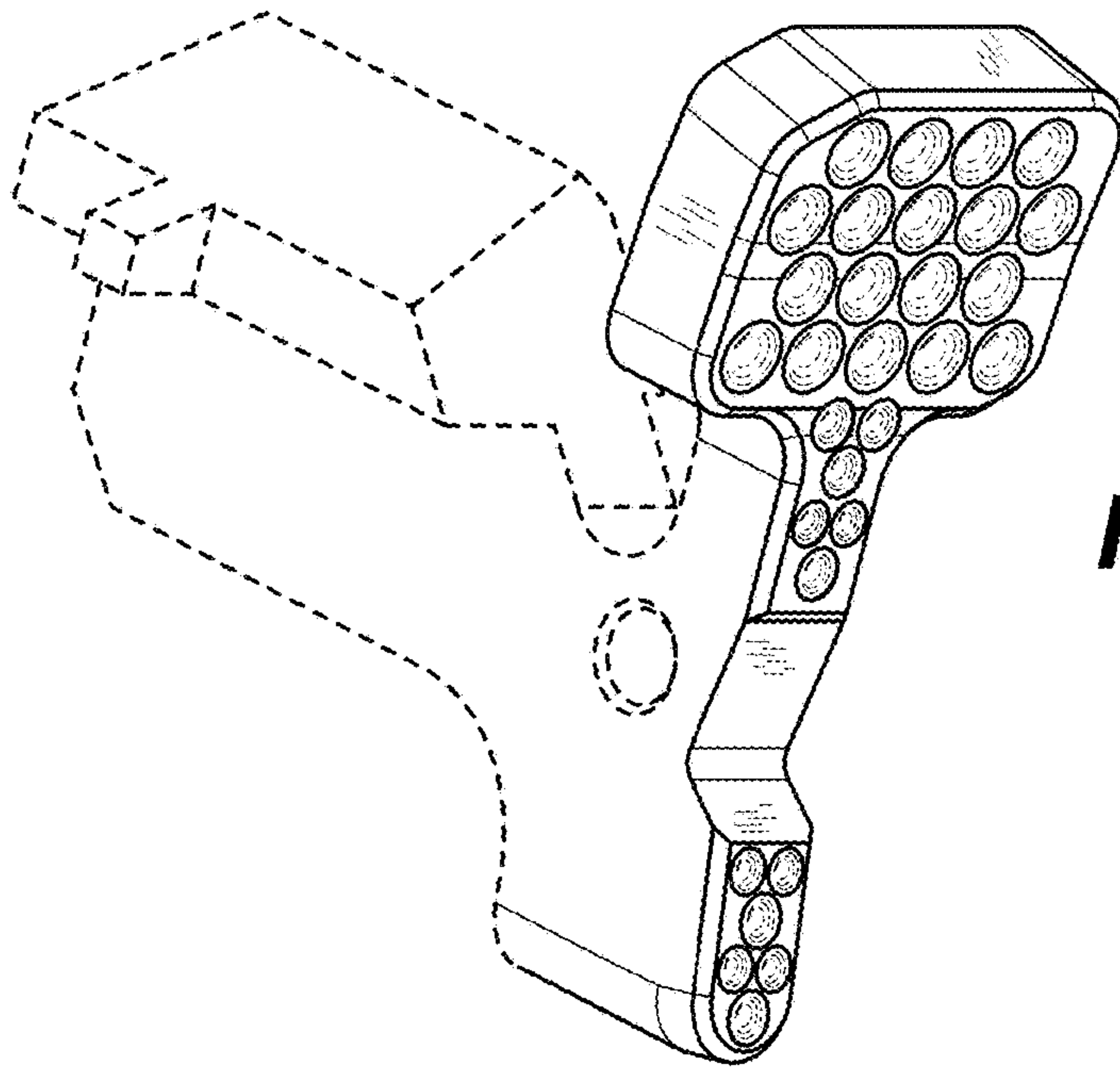


FIG. 1

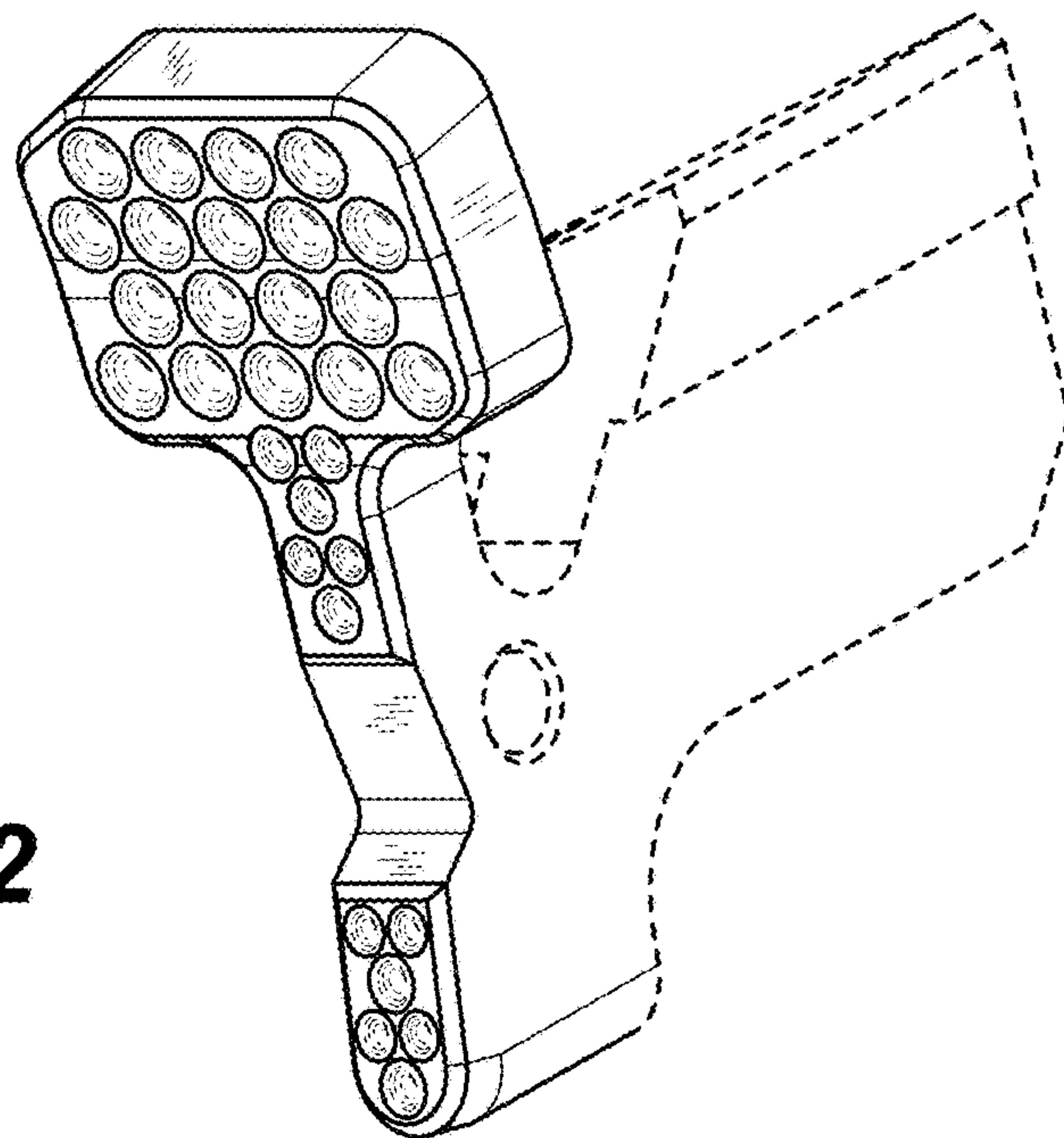


FIG. 2

FIG. 3

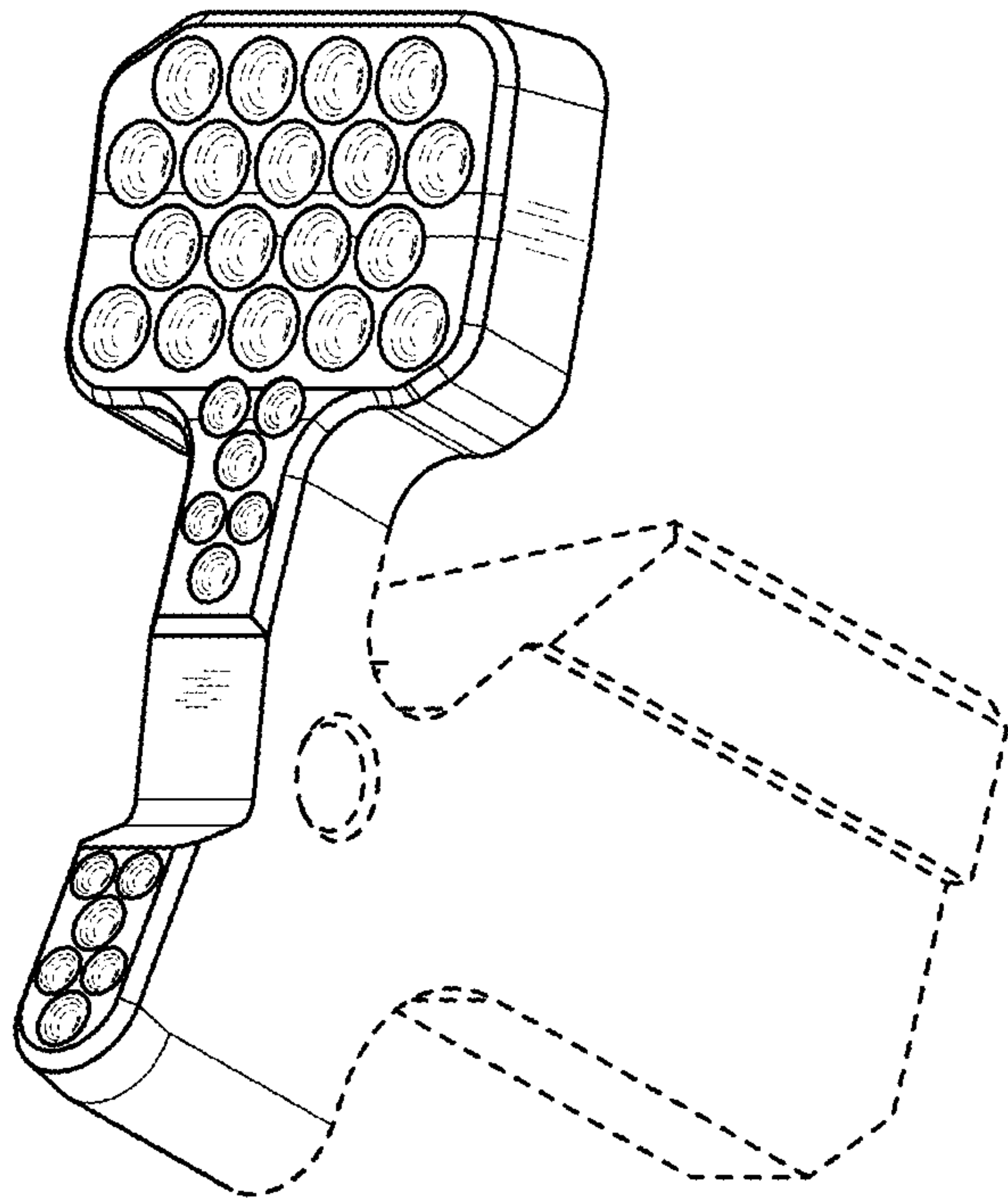
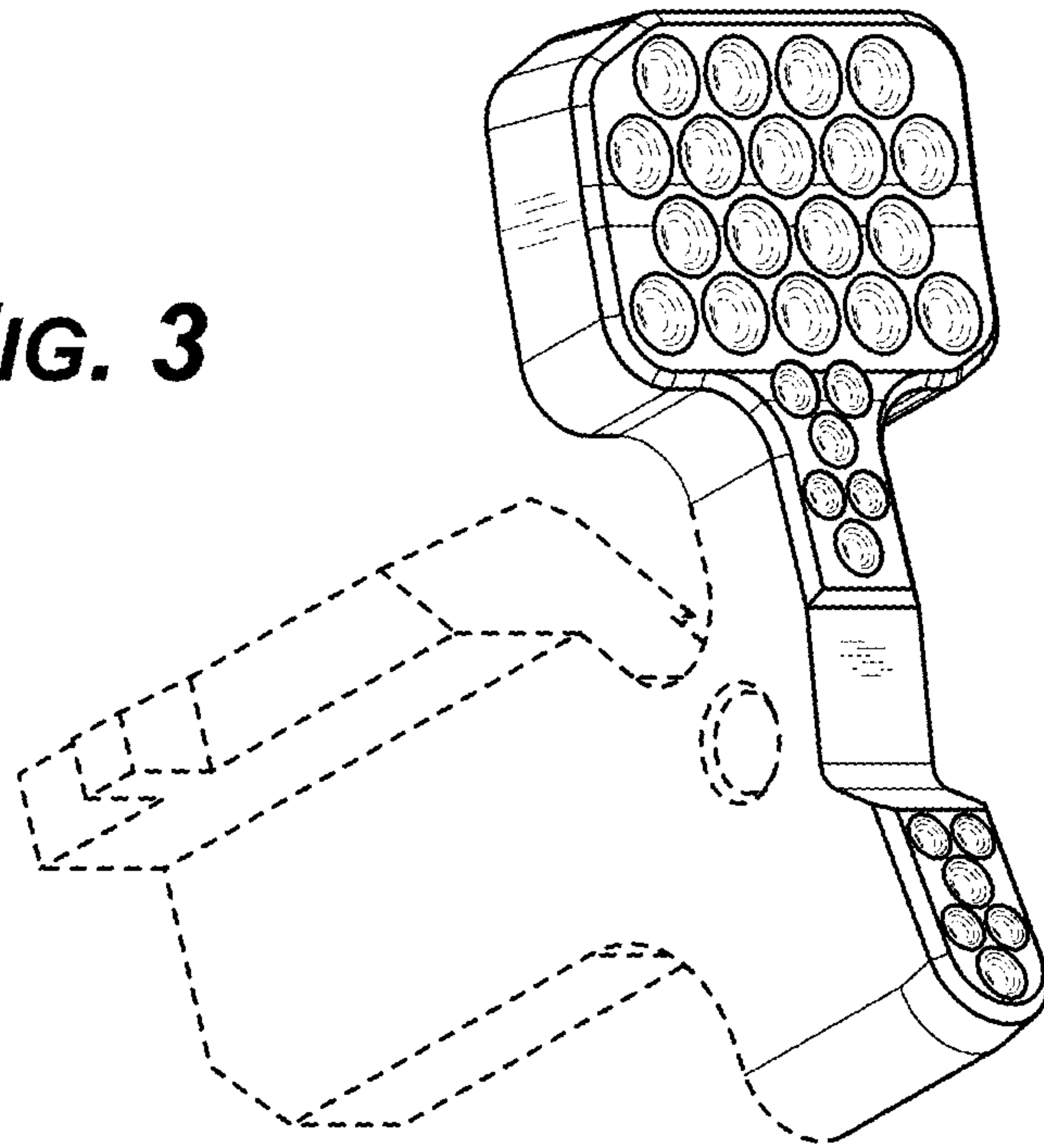


FIG. 4

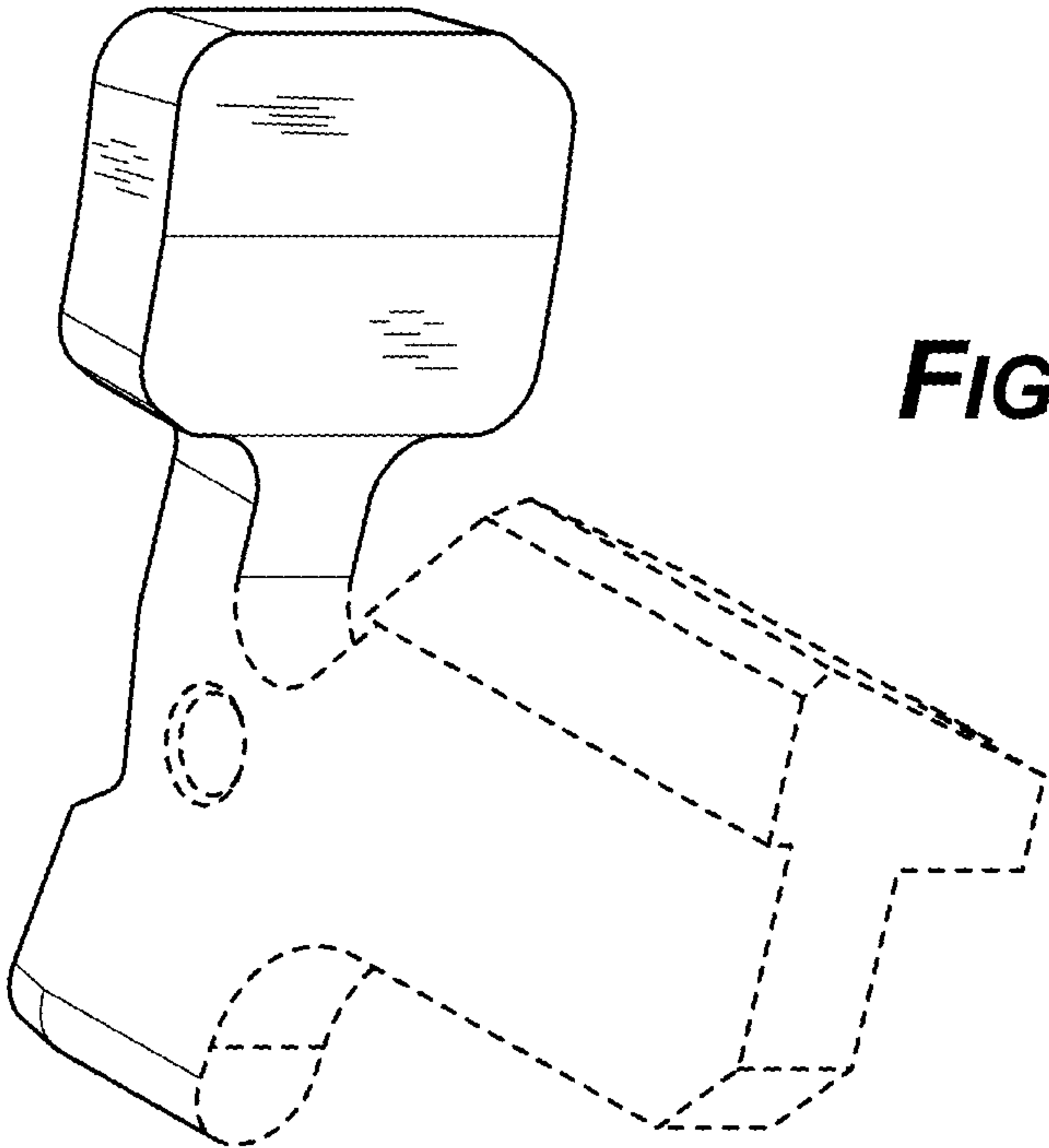


FIG. 5

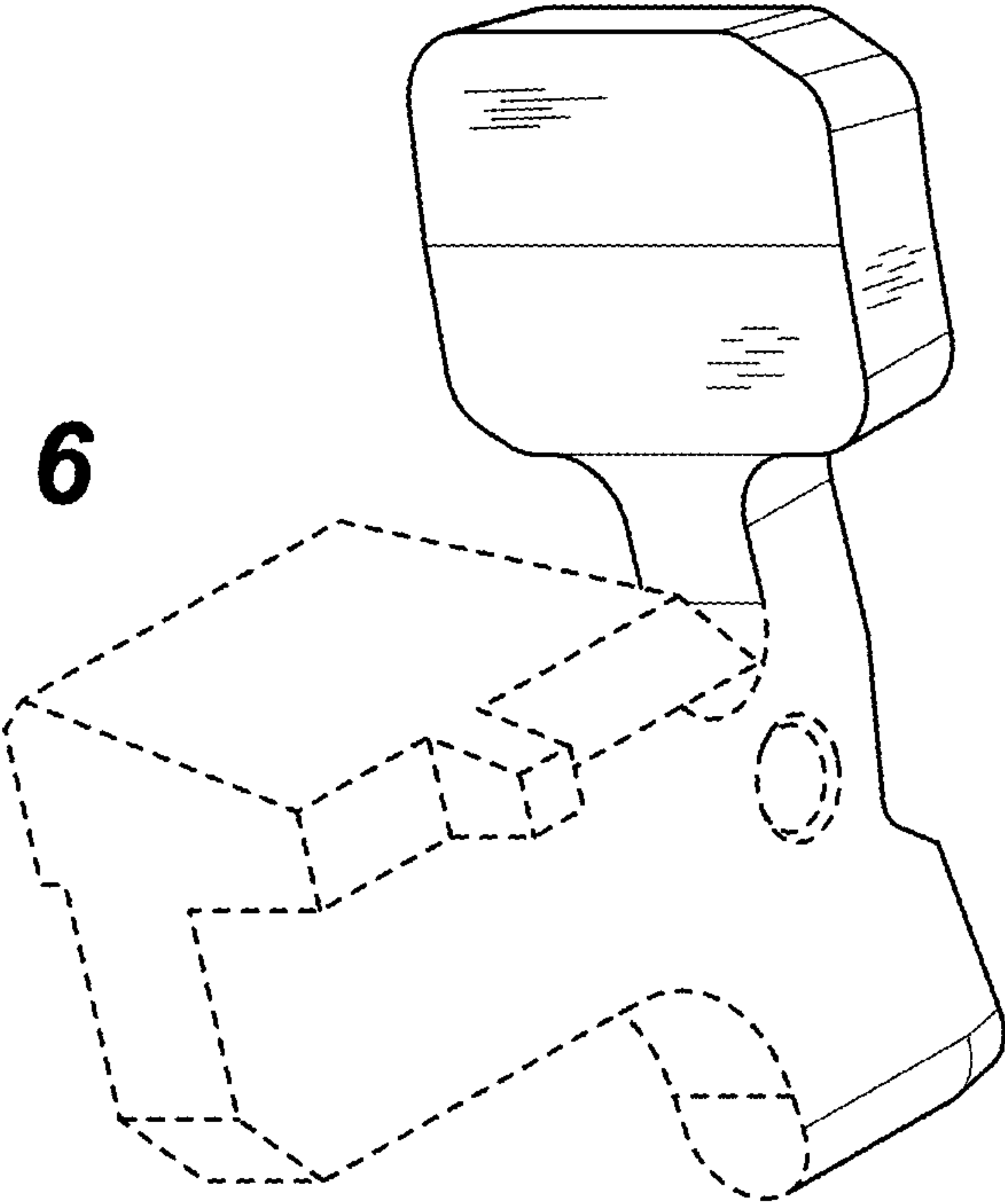


FIG. 6

FIG. 7

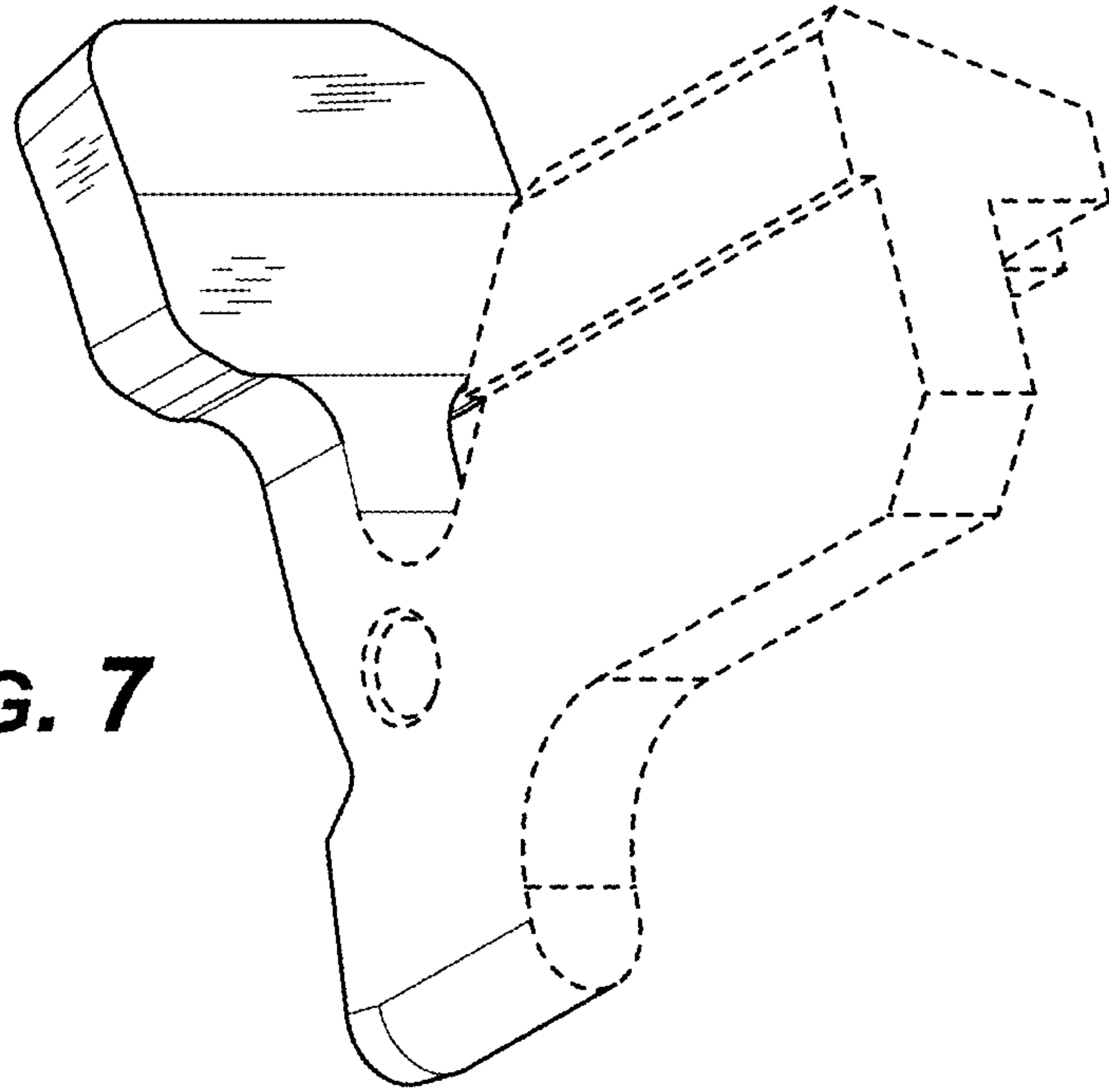
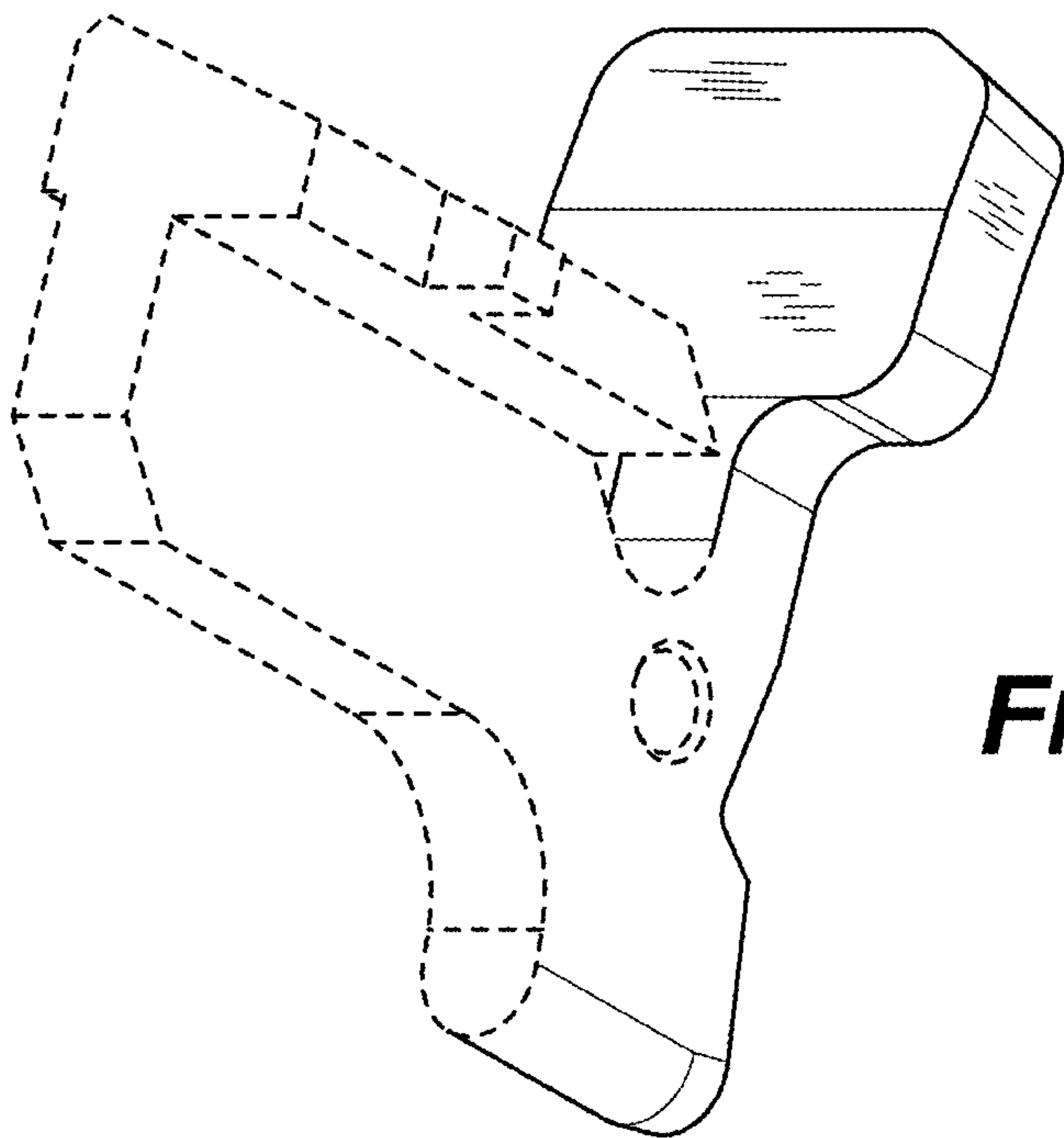


FIG. 8



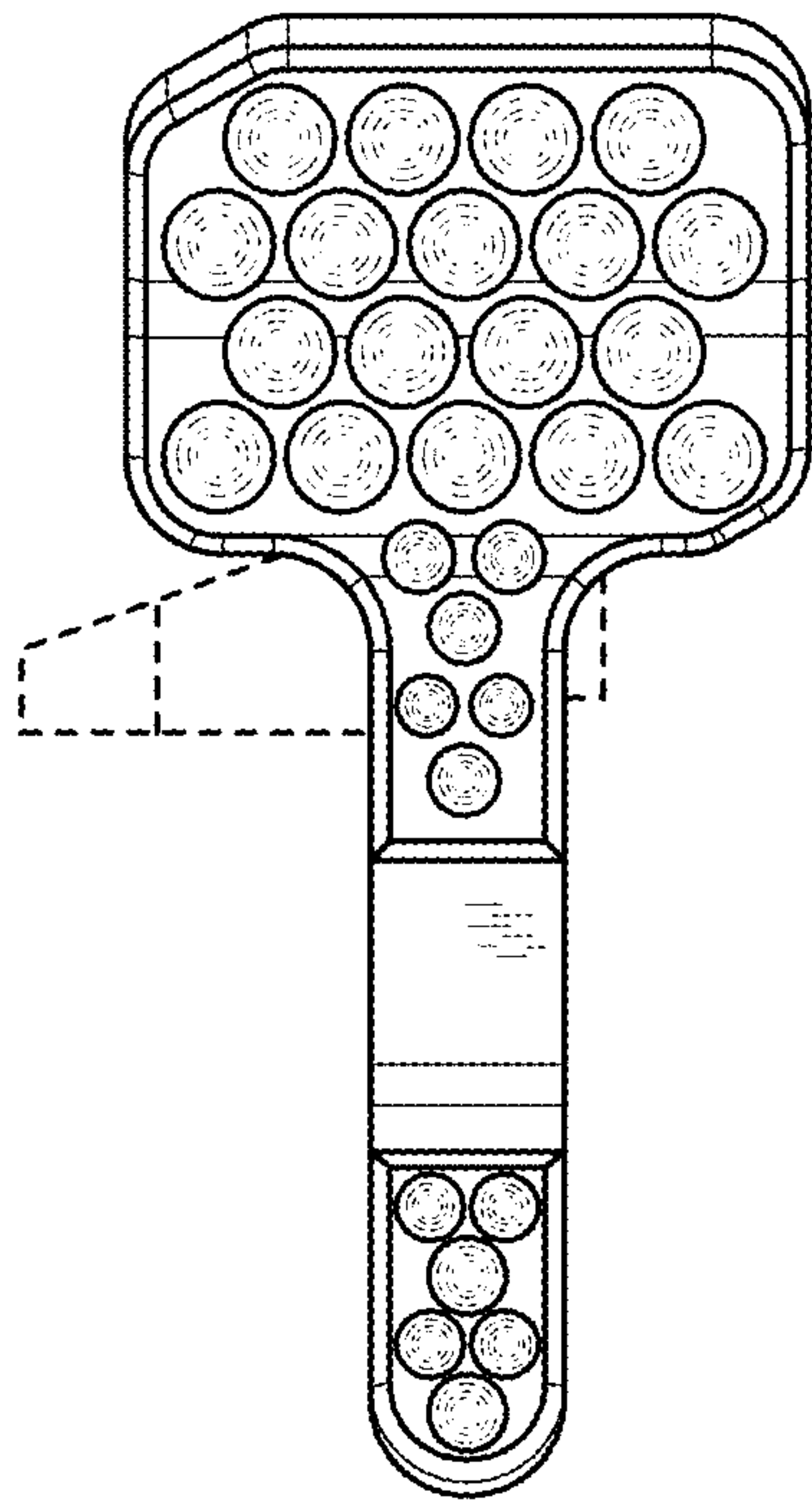


FIG. 9

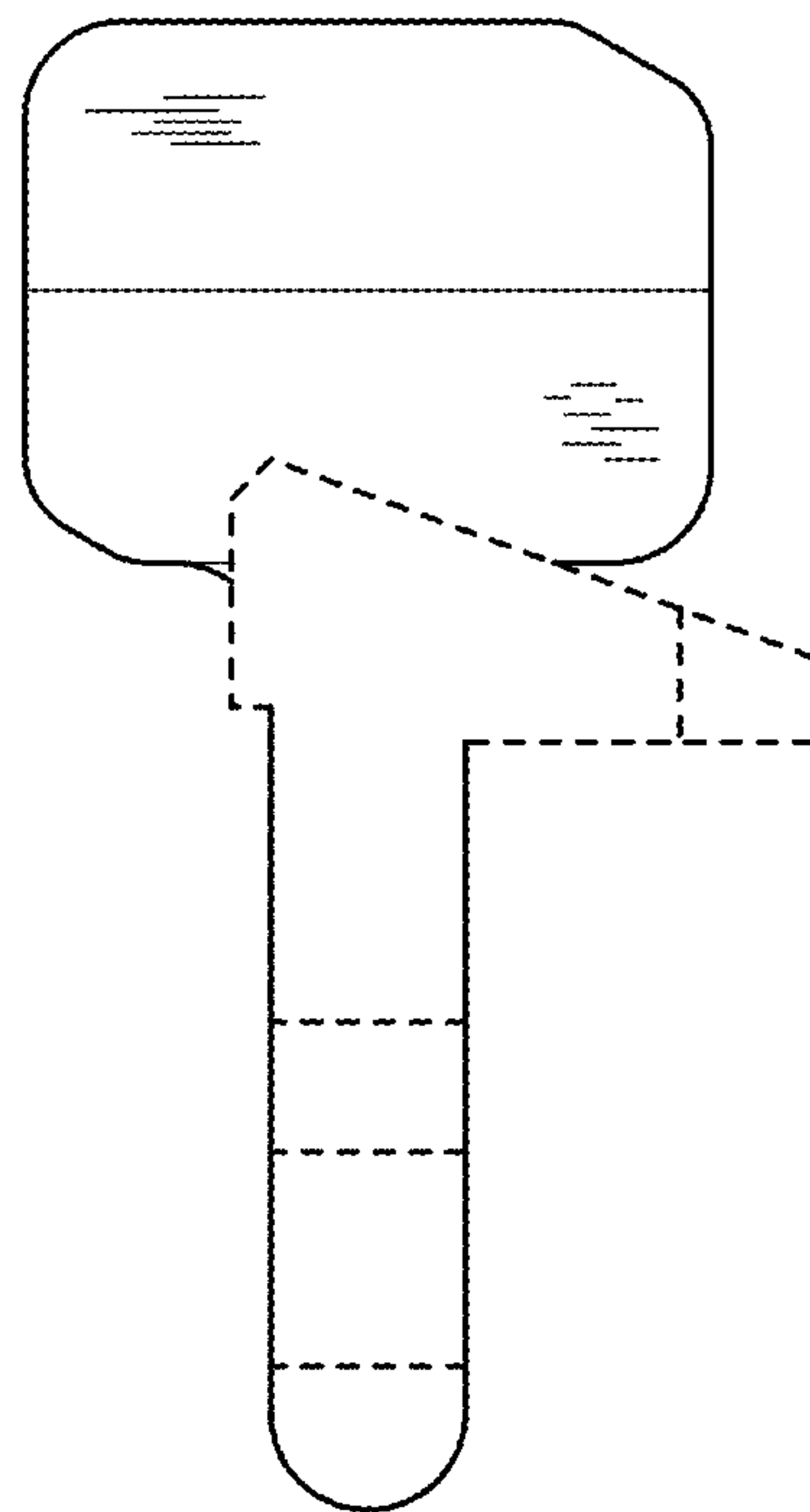


FIG. 10

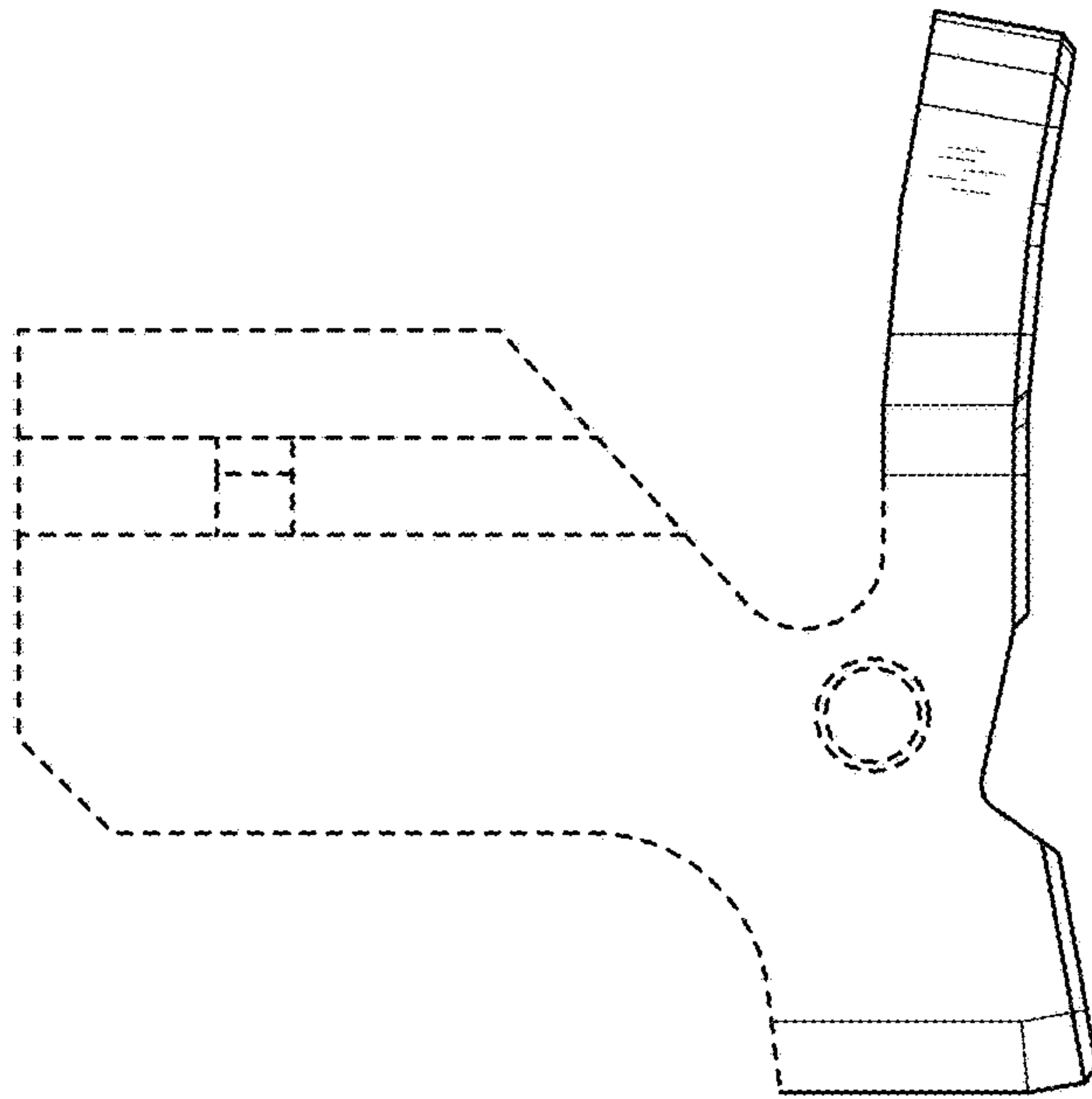


FIG. 11

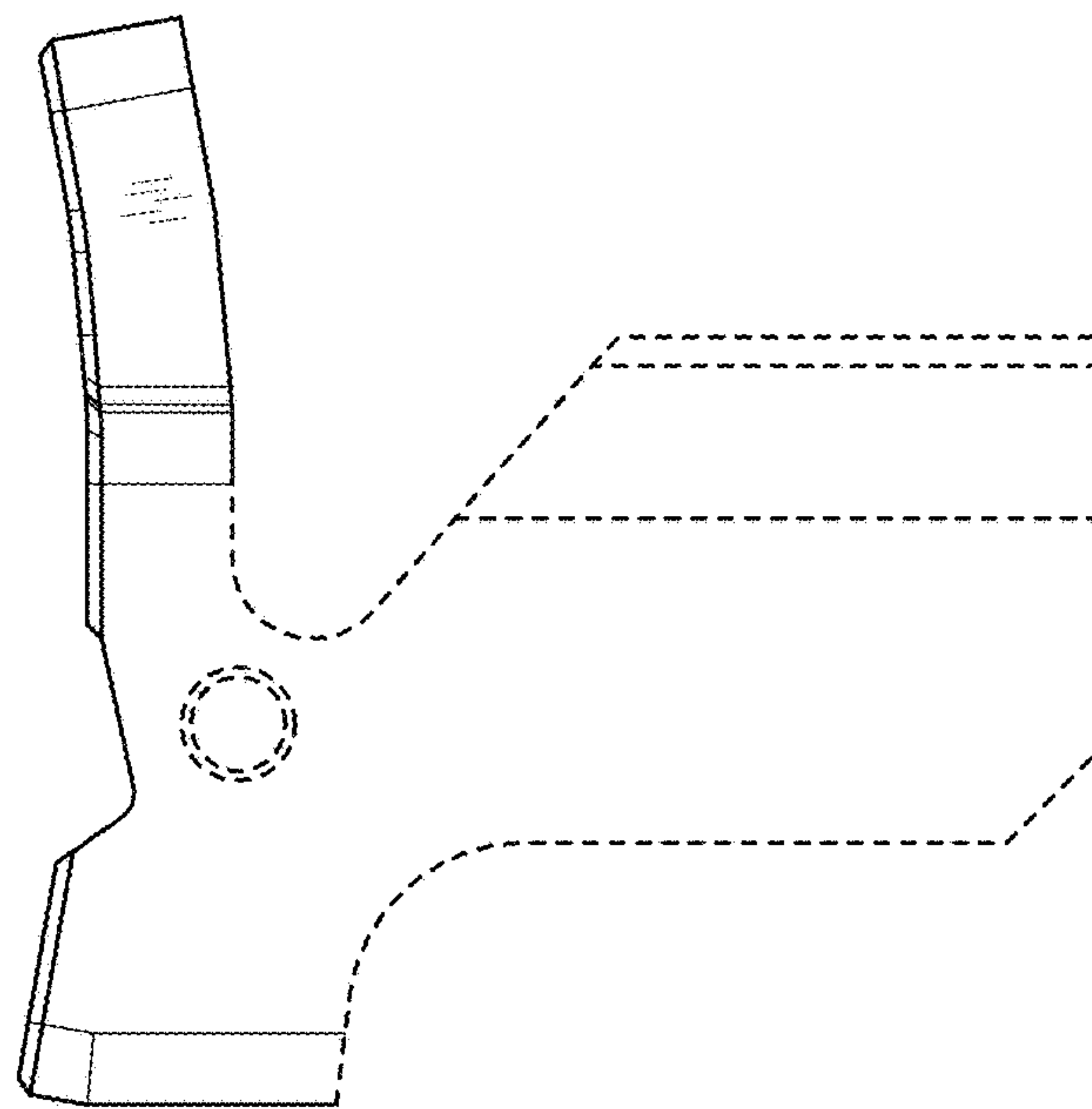


FIG. 12

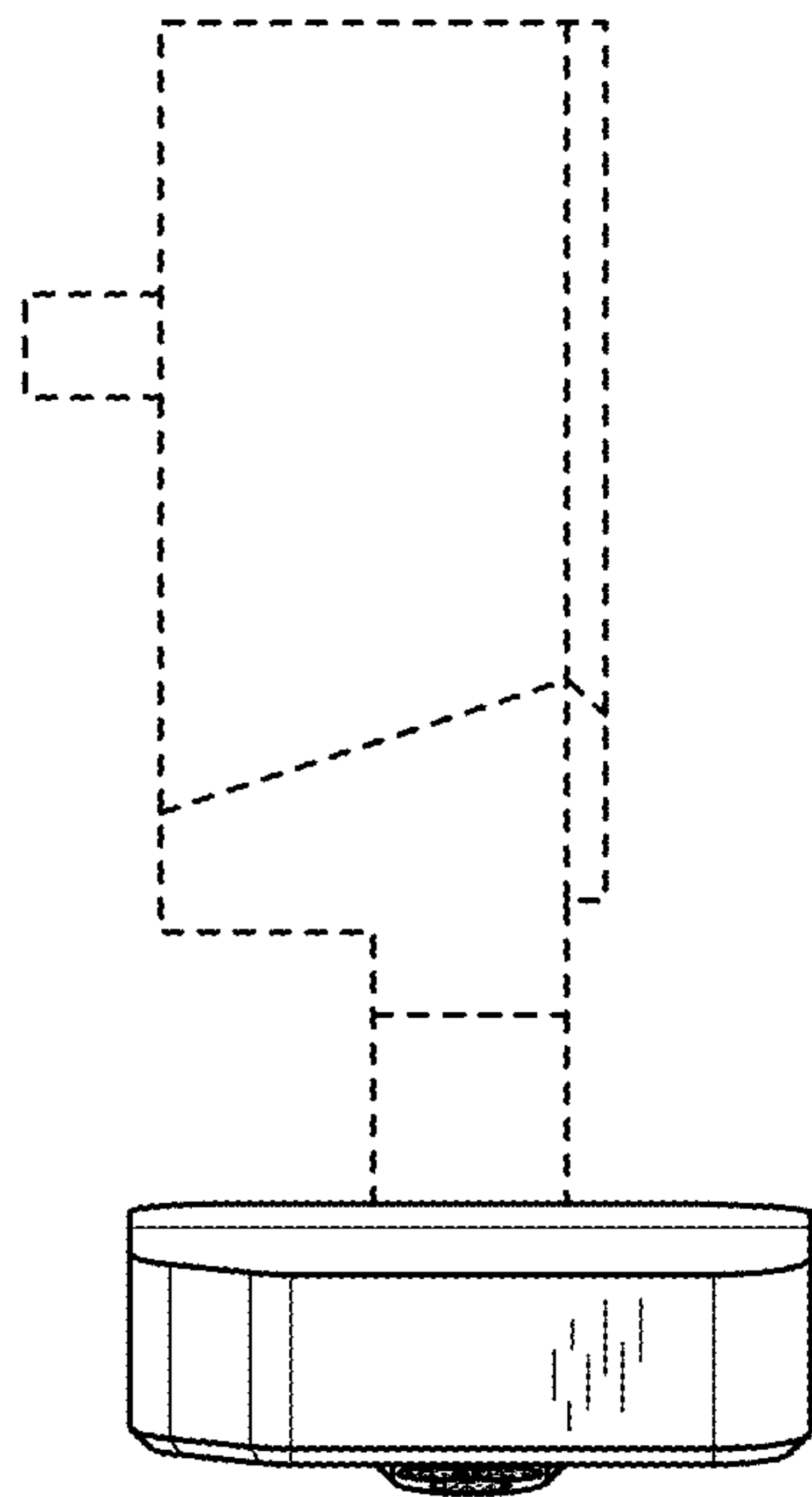


FIG. 13

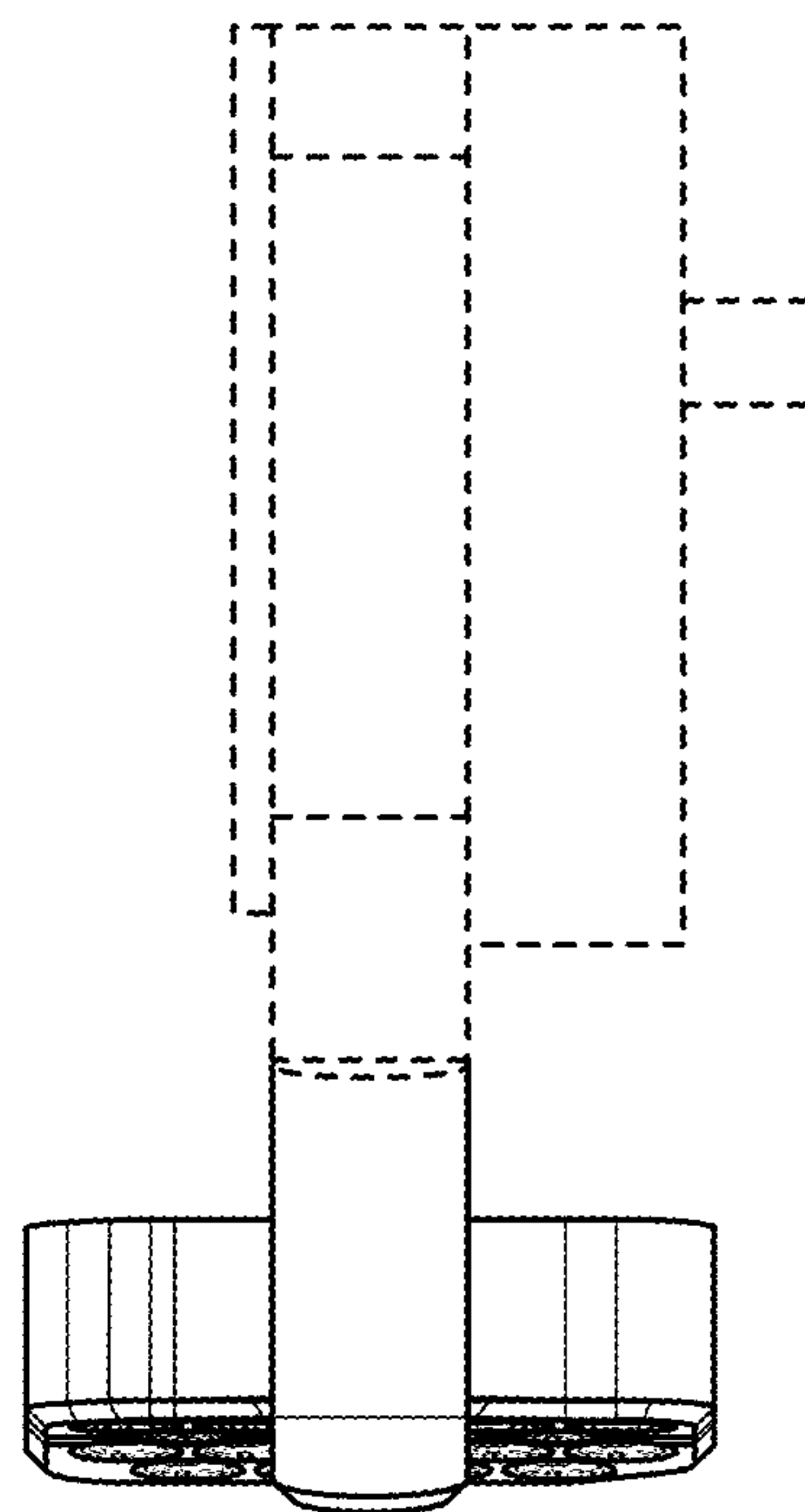


FIG. 14