



US00D797877S

(12) **United States Design Patent**
Ho et al.

(10) **Patent No.:** **US D797,877 S**
(45) **Date of Patent:** **** Sep. 19, 2017**

- (54) **TRAMPOLINE EXERCISER**
- (71) Applicants: **Wei-Teh Ho**, Taipei (TW); **Willy Ho**, Taipei (TW)
- (72) Inventors: **Wei-Teh Ho**, Taipei (TW); **Willy Ho**, Taipei (TW)
- (**) Term: **15 Years**
- (21) Appl. No.: **29/529,407**
- (22) Filed: **Jun. 5, 2015**
- (51) **LOC (10) Cl.** **21-02**
- (52) **U.S. Cl.**
USPC **D21/797**
- (58) **Field of Classification Search**
USPC D21/797, 668, 669, 834, 826, 671, 672;
D6/716; 482/27, 35, 29, 112, 33, 110,
482/148, 28, 77, 147, 51; 297/452.18;
135/96, 117; D30/112; D25/1, 16, 22,
D25/56; 446/220; 473/469; 182/139,
182/224; 273/395, 402
CPC A63B 5/11; A63B 21/023; A63B 2208/12;
A63B 71/022; A63B 2210/50
See application file for complete search history.

- 3,312,471 A * 4/1967 Nissen A63B 5/11
182/139
- 3,339,925 A * 9/1967 Nissen A63B 5/11
182/137
- 3,561,564 A * 2/1971 Russell A63B 5/11
182/139
- 4,477,070 A * 10/1984 Appelbaum A63B 69/0035
482/28
- 4,730,826 A * 3/1988 Sudmeier A63B 5/11
482/28
- 4,824,100 A * 4/1989 Hall A63B 5/11
482/28
- D304,850 S * 11/1989 Chambers D21/669
- 4,900,011 A * 2/1990 Nolet A47D 13/063
482/29

(Continued)

OTHER PUBLICATIONS

Proform by HSNty dated Feb. 20, 2016. Found online [Dec. 17, 2016] <https://www.youtube.com/watch?v=xK3KNtMGJAQ>.*

Primary Examiner — Robert M Spear
Assistant Examiner — Ryan Harvey
(74) *Attorney, Agent, or Firm* — Blakely, Sokoloff, Taylor & Zafman LLP

(57) **CLAIM**

The ornamental design for a trampoline exerciser, as shown and described.

DESCRIPTION

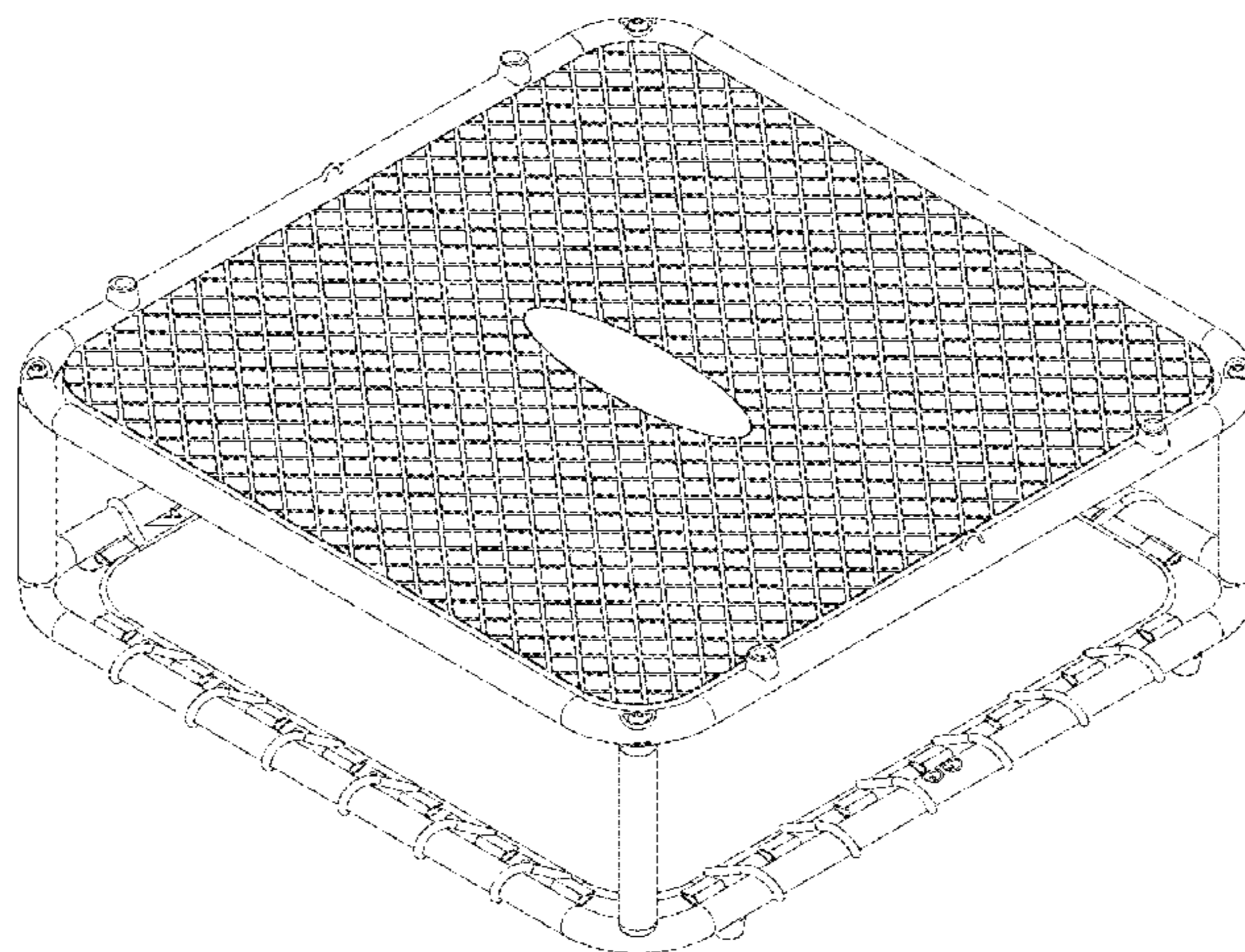
FIG. 1 is a top perspective view showing a new design for a trampoline exerciser;
FIG. 2 is a front view thereof;
FIG. 3 is a rear view thereof;
FIG. 4 is a right view thereof;
FIG. 5 is a left view thereof;
FIG. 6 is a top view thereof;
FIG. 7 is a bottom view thereof; and,
FIG. 8 is a bottom perspective view thereof.

1 Claim, 8 Drawing Sheets

(56) **References Cited**

U.S. PATENT DOCUMENTS

- 2,430,714 A * 11/1947 Geer A62B 1/22
160/351
- 2,770,812 A * 11/1956 Whiteside A47C 1/14
160/378
- 2,858,551 A * 11/1958 Sidlinger A63B 5/11
108/158.11
- 3,004,623 A * 10/1961 Nissen A63B 5/11
182/139
- 3,201,126 A * 8/1965 Nissen A63B 5/11
182/139
- 3,256,021 A * 6/1966 Nissen A63B 5/11
182/139



(56)

References Cited

U.S. PATENT DOCUMENTS

5,674,157 A * 10/1997 Wilkinson A63B 5/11
482/27
5,772,537 A * 6/1998 Anderson A63B 69/0097
273/396
5,857,679 A * 1/1999 Ringe A63B 69/0097
273/395
D496,422 S * 9/2004 Rota D21/780
7,264,245 B2 * 9/2007 Cho A63B 69/0097
273/396
D712,185 S * 9/2014 Akkad D6/716
D742,467 S * 11/2015 Giorgi D21/797
9,227,126 B2 * 1/2016 Christgau A63B 69/0097
9,302,135 B1 * 4/2016 Dallmann A63B 5/11
2003/0236139 A1 * 12/2003 Jensen A63B 69/0002
473/434
2006/0116243 A1 * 6/2006 Wyman A63B 5/11
482/27
2006/0172861 A1 * 8/2006 Wang A63B 5/11
482/27
2006/0223676 A1 * 10/2006 Rote A63B 5/11
482/27
2013/0303312 A1 * 11/2013 DeBolt A63B 69/00
473/446
2016/0303422 A1 * 10/2016 Douglass A63B 21/4033
2016/0303423 A1 * 10/2016 Douglass A63B 5/11

* cited by examiner

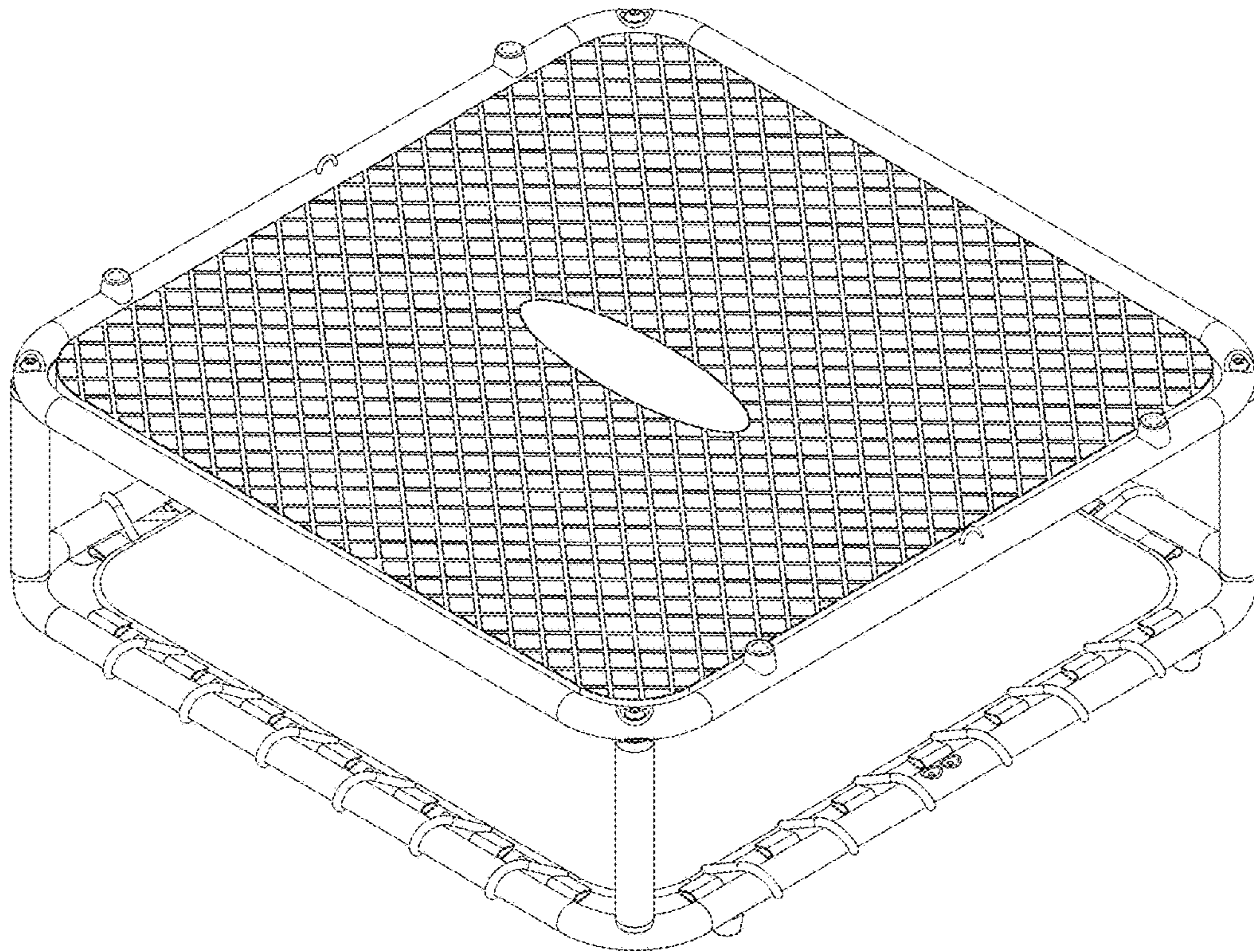


Fig. 1

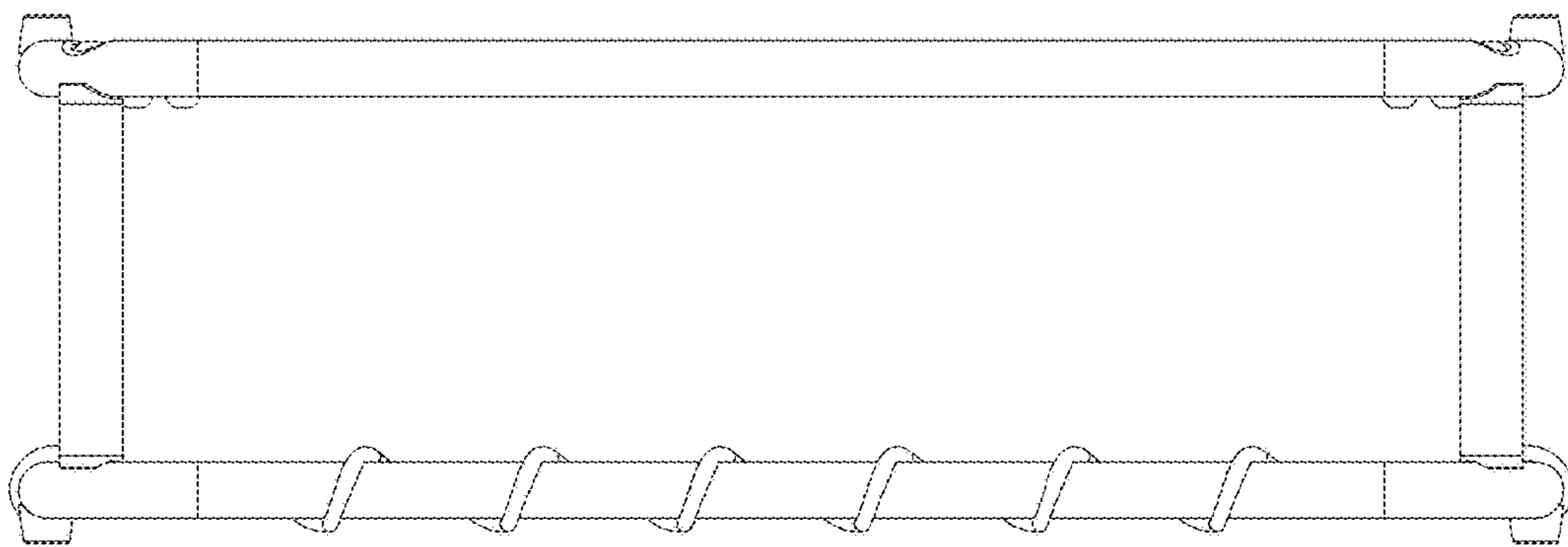


Fig. 2

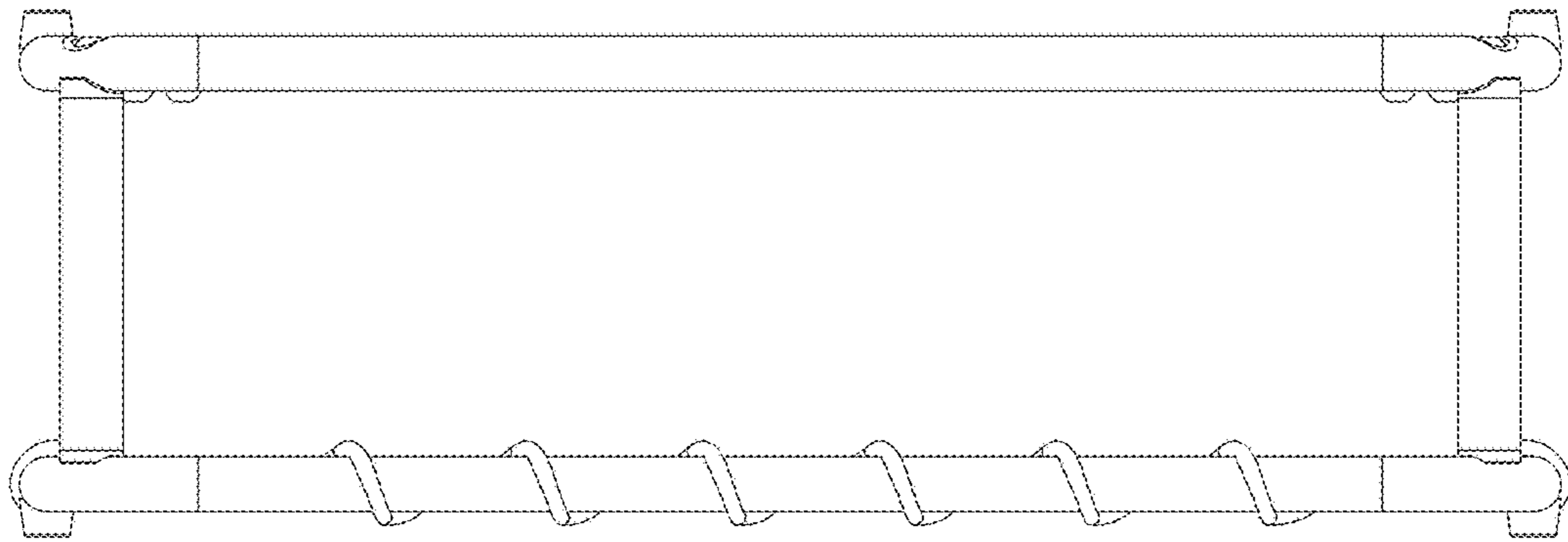


Fig. 3

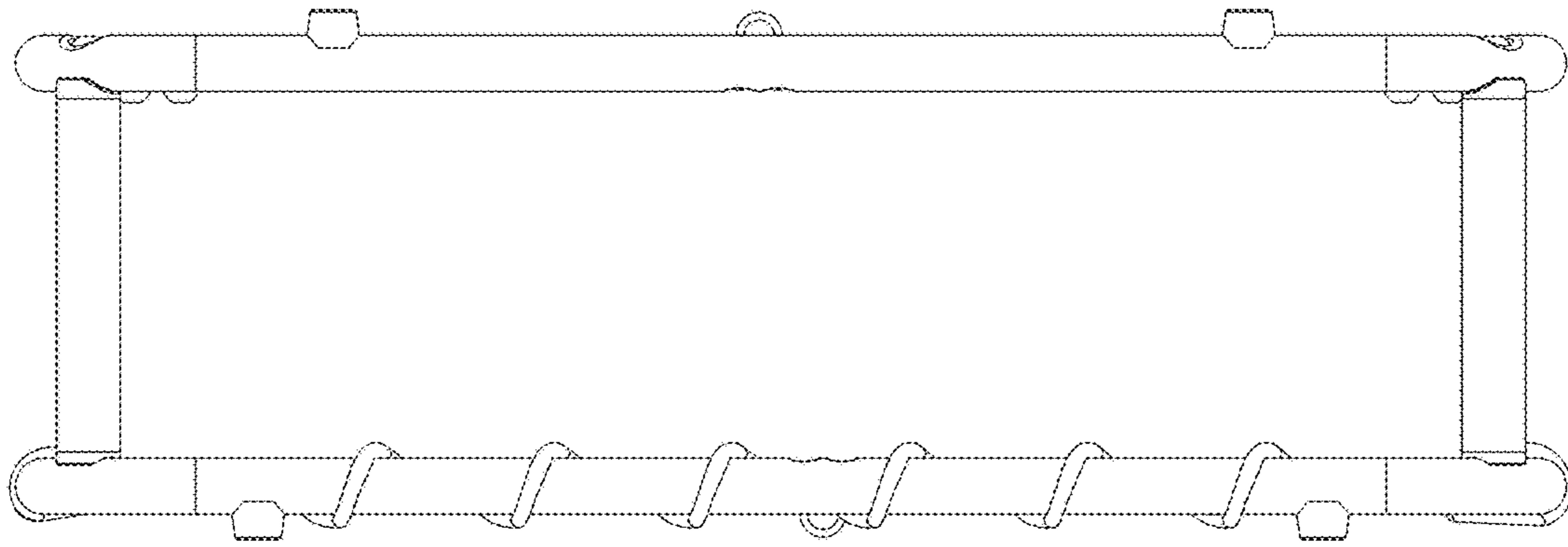


Fig. 4

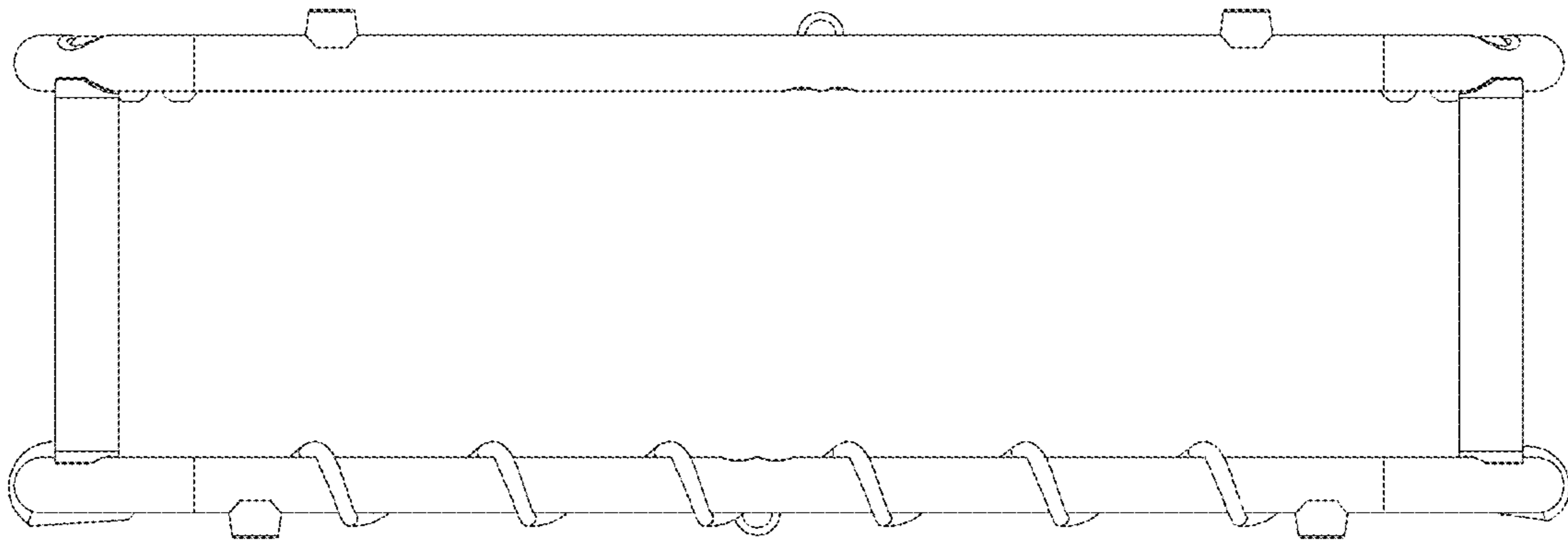


Fig. 5

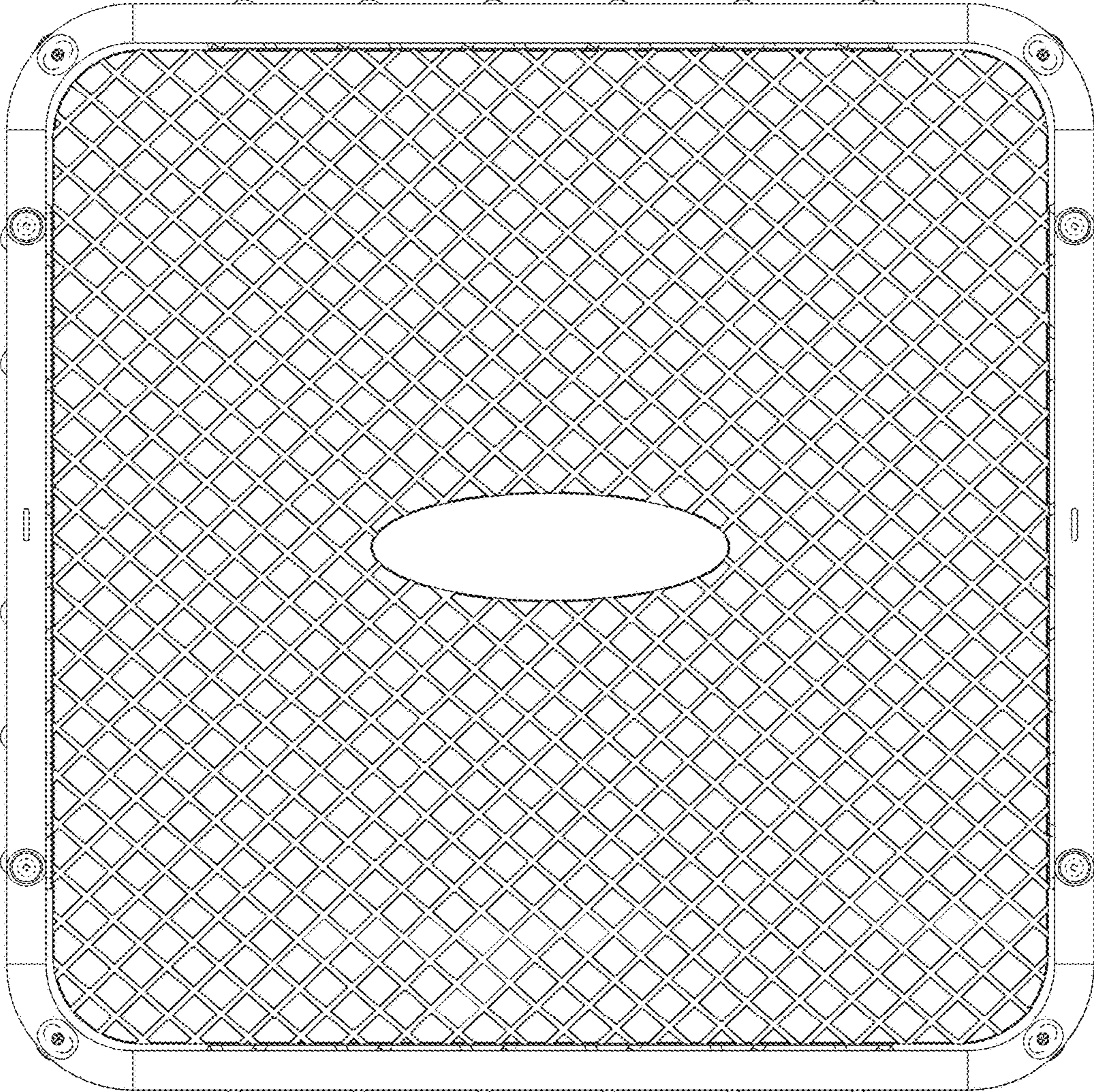


Fig. 6

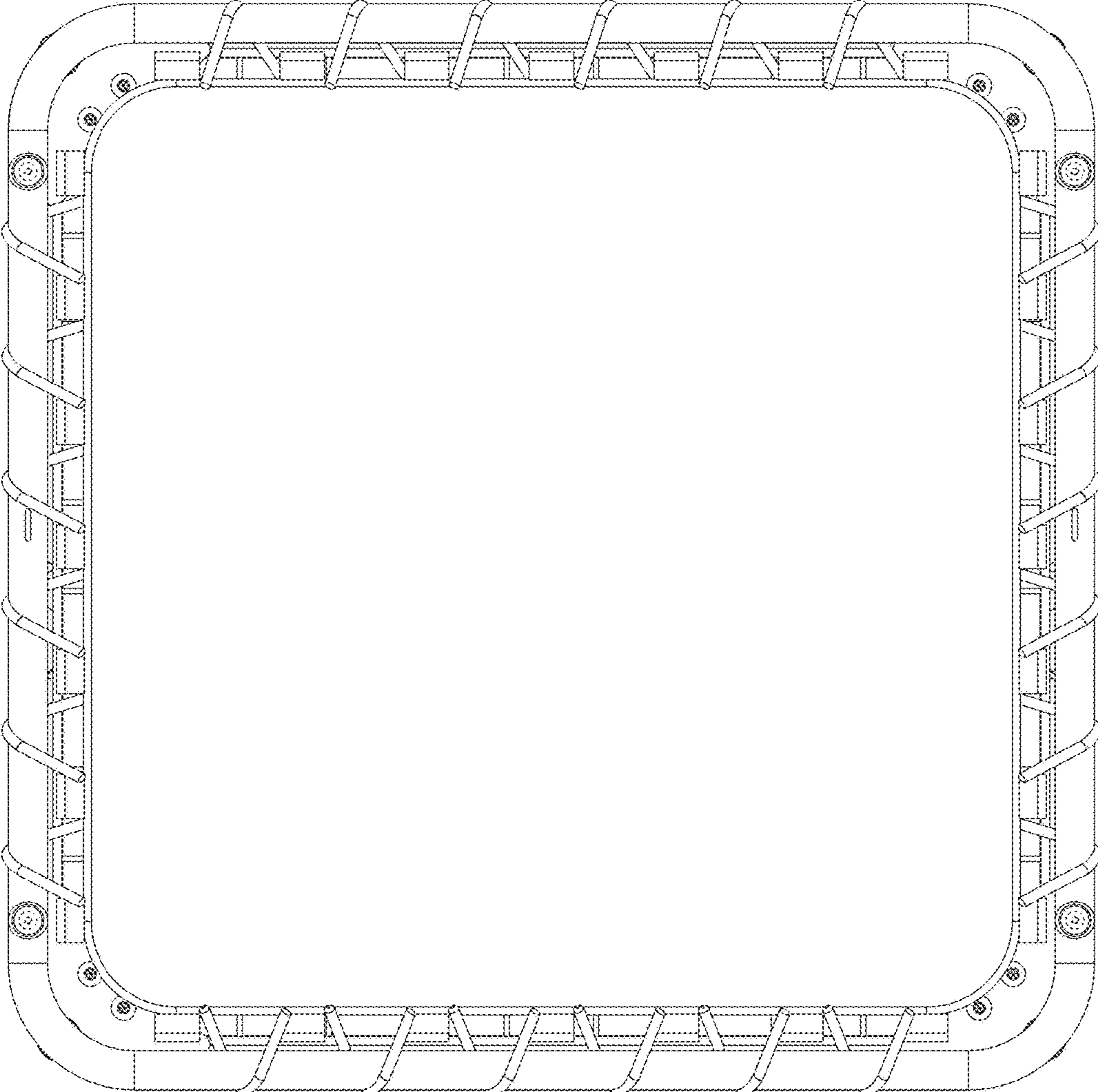


Fig. 7

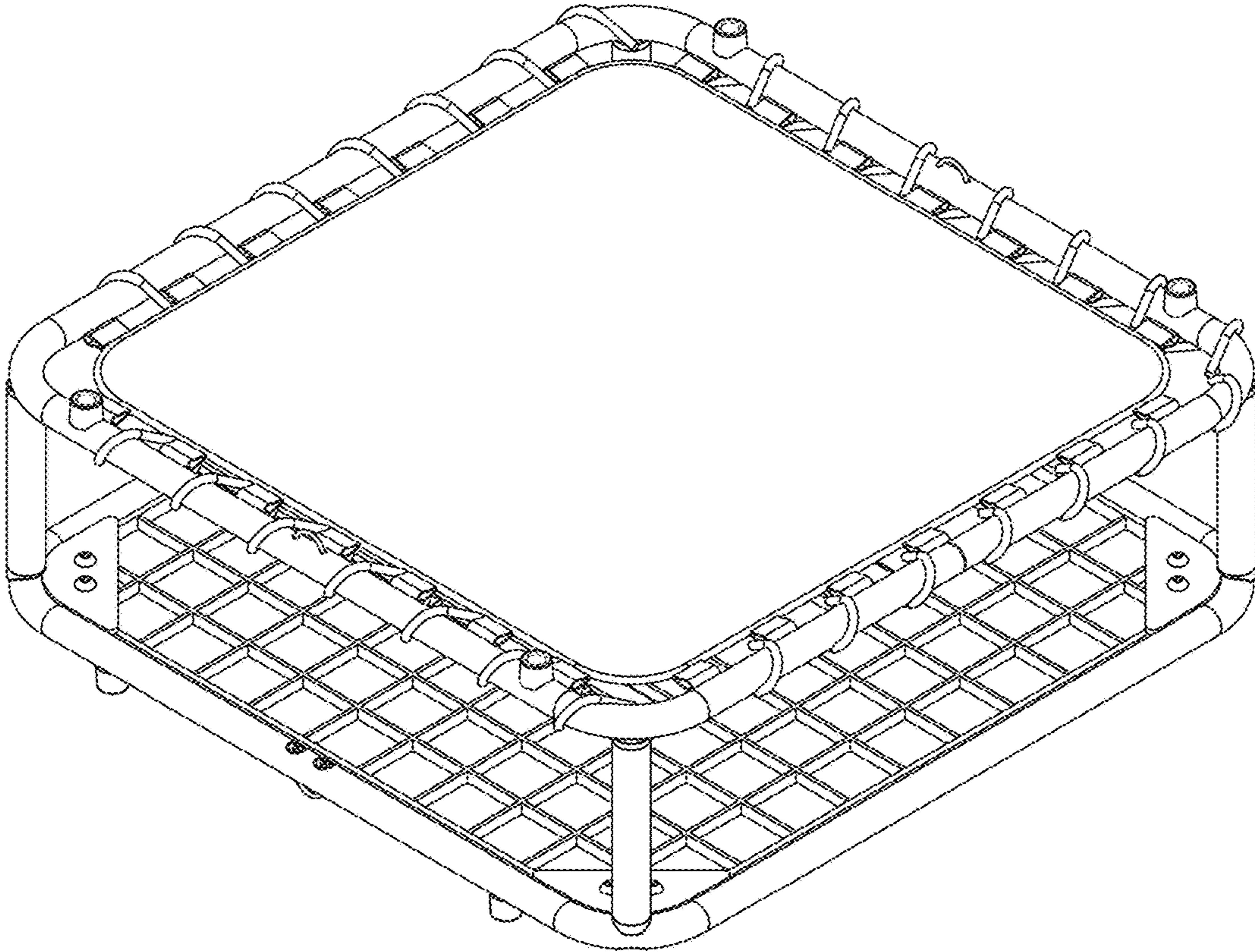


Fig. 8