



US00D797876S

(12) **United States Design Patent** (10) **Patent No.:** **US D797,876 S**
Walkey et al. (45) **Date of Patent:** **** *Sep. 19, 2017**

(54) **GOLF TRAINING AID APPARATUS**
(71) Applicant: **Power Package Golf Partners**, Palm Desert, CA (US)
(72) Inventors: **Christopher Clarke Walkey**, Palm Desert, CA (US); **Tu Nguyen**, Escondido, CA (US)
(73) Assignee: **Power Package Golf Partners**, Palm Desert, CA (US)

Primary Examiner — Mitchell Siegel
(74) *Attorney, Agent, or Firm* — Knobbe Martens Olson & Bear LLP

(*) Notice: This patent is subject to a terminal disclaimer.

(**) Term: **15 Years**

(21) Appl. No.: **29/540,672**

(22) Filed: **Sep. 25, 2015**

(51) **LOC (10) Cl.** **21-02**

(52) **U.S. Cl.**
USPC **D21/791**

(58) **Field of Classification Search**
USPC D21/789, 791

(Continued)

(56) **References Cited**

U.S. PATENT DOCUMENTS

2,273,416 A * 2/1942 Norwood A63B 69/0059
2/170
3,951,416 A * 4/1976 Koch A63B 69/0059
473/212

(Continued)

FOREIGN PATENT DOCUMENTS

WO WO 99/43396 9/1999

OTHER PUBLICATIONS

Golf Training Aid (2011) retrieved from <http://www.swingyde.com/home>.

(Continued)

(57) **CLAIM**

The ornamental design for a golf training aid apparatus, as shown and described.

DESCRIPTION

FIG. 1 is a front, top, right side perspective view of a golf training aid apparatus of the present invention.

FIG. 2 is a front side plan view of the golf training aid shown in FIG. 1.

FIG. 3 is a rear side plan view of the golf training aid shown in FIG. 1.

FIG. 4 is a left side plan view of the golf training aid shown in FIG. 1.

FIG. 5 is a right side plan view of the golf training aid shown in FIG. 1.

FIG. 6 is a top plan view of the golf training aid shown in FIG. 1.

FIG. 7 is a bottom plan view of the golf training aid shown in FIG. 1.

FIG. 8 is a front, top, right side perspective view of the longer arm of the golf training aid apparatus of FIG. 1, shown for clarity of illustration.

FIG. 9 is a front side plan view of the left or long arm shown in FIG. 8.

FIG. 10 is a rear side plan view of the left or long arm shown in FIG. 8.

FIG. 11 is a left side plan view of the left or long arm shown in FIG. 8.

FIG. 12 is a right side plan view of the left or long arm shown in FIG. 8.

FIG. 13 is a top plan view of the left or long arm shown in FIG. 8.

FIG. 14 is a bottom plan view of the left or long arm shown in FIG. 8.

FIG. 15 is a front, top, right side perspective view of the shorter arm of the golf training aid apparatus of FIG. 1, shown for clarity of illustration.

(Continued)

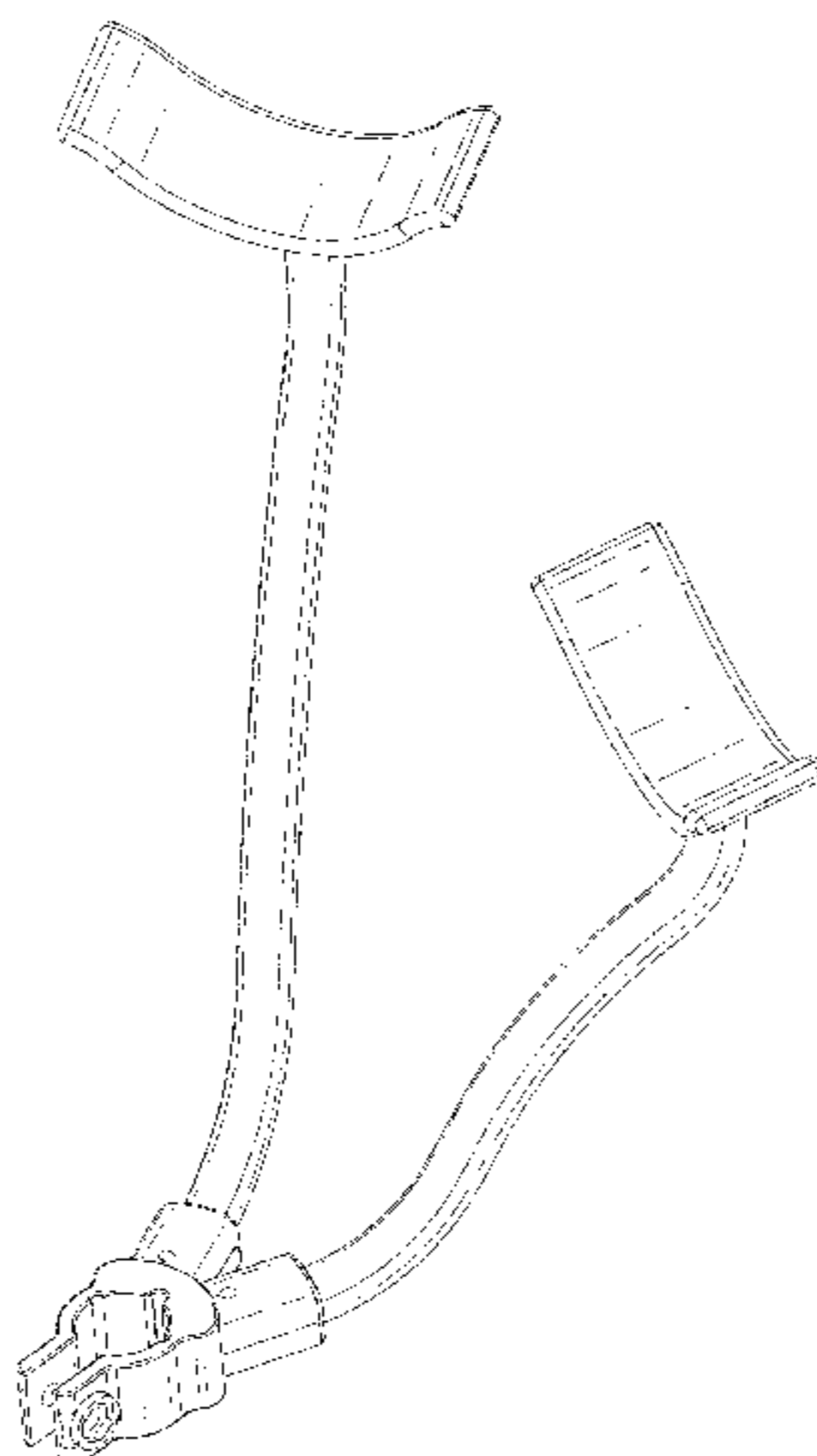


FIG. 16 is a front side plan view of the right or short arm shown in FIG. 15.

FIG. 17 is a rear side plan view of the right or short arm shown in FIG. 15.

FIG. 18 is a left side plan view of the right or short arm shown in FIG. 15.

FIG. 19 is a right side plan view of the right or short arm shown in FIG. 15.

FIG. 20 is a top plan view of the right or short arm shown in FIG. 15.

FIG. 21 is a bottom plan view of the right or short arm shown in FIG. 15.

FIG. 22 is a front, top, right side perspective view of the connector element of the golf training aid apparatus of FIG. 1, shown for clarity of illustration.

FIG. 23 is a front side plan view of the connector shown in FIG. 22.

FIG. 24 is a rear side plan view of the connector shown in FIG. 22.

FIG. 25 is a left side plan view of the connector shown in FIG. 22.

FIG. 26 is a right side plan view of the connector shown in FIG. 22.

FIG. 27 is a top plan view of the connector shown in FIG. 22; and,

FIG. 28 is a bottom plan view of the connector shown in FIG. 22.

In the drawings, the shading shows contours and form no part of the claimed design.

1 Claim, 15 Drawing Sheets

(58) Field of Classification Search

CPC . A63B 69/00; A63B 69/0059; A63B 69/3608;
A63B 69/3685; A63B 69/3632

See application file for complete search history.

(56) References Cited

U.S. PATENT DOCUMENTS

4,023,812 A * 5/1977 Lorang A63B 69/3632
473/227
4,145,054 A 3/1979 Stewart
4,781,382 A * 11/1988 Hargraves A63B 69/3685
473/227
4,944,516 A * 7/1990 Bickler A63B 69/3685
473/227
5,145,179 A * 9/1992 Breed A63B 69/0059
473/212
5,174,575 A * 12/1992 Leith A63B 69/0059
473/213

5,203,568 A * 4/1993 Vasquez A63B 69/0059
473/212
5,470,073 A * 11/1995 Vasquez A63B 69/0059
473/206
5,501,464 A * 3/1996 Dalbo A63B 69/0059
473/212
D372,064 S * 7/1996 del Barrio D21/791
5,846,143 A * 12/1998 Brock A63B 69/3632
473/227
5,865,685 A * 2/1999 Thomas A63B 69/3608
473/213
5,904,624 A * 5/1999 Martinez A63B 69/3685
473/212
5,976,024 A * 11/1999 Marshall, Jr. A63B 69/0059
473/227
6,004,221 A 12/1999 Thornhill
6,656,056 B1 * 12/2003 Leonard A63B 57/00
473/212
6,805,640 B2 * 10/2004 Kim A63B 69/0059
473/226
6,939,243 B1 9/2005 Mitchell et al.
7,033,282 B1 * 4/2006 Flood A63B 69/0059
473/219
7,033,284 B2 * 4/2006 Yoshimura A63B 69/3608
473/212
7,156,748 B2 * 1/2007 Burke A63B 69/0059
473/207
7,244,187 B2 * 7/2007 Brooks A63B 69/0057
473/226
8,177,655 B2 5/2012 Hanley
8,221,255 B1 * 7/2012 Wang A63B 69/0059
473/213
8,251,833 B2 * 8/2012 Georgescu A63B 69/3608
473/206
8,460,121 B2 6/2013 Pinns
8,556,741 B2 * 10/2013 Ryan A63B 69/0057
473/212
8,663,024 B2 * 3/2014 Kardos A63B 69/0059
473/212
8,790,188 B2 * 7/2014 Hatton A63B 69/0057
473/212
8,845,446 B2 * 9/2014 Talbot A63B 69/0059
473/212
8,864,600 B2 * 10/2014 Dickie A63B 69/36
473/227
D719,629 S * 12/2014 Beukes D21/791
9,017,182 B1 * 4/2015 Freiler, Jr. A63B 69/3608
473/205

2002/0016211 A1 2/2002 Moran
2003/0148814 A1 8/2003 Kim et al.
2013/0331196 A1 12/2013 Hatton

OTHER PUBLICATIONS

International Search Report for application No. PCT/US16/64631,
dated Feb. 16, 2017, in 18 pages.

* cited by examiner

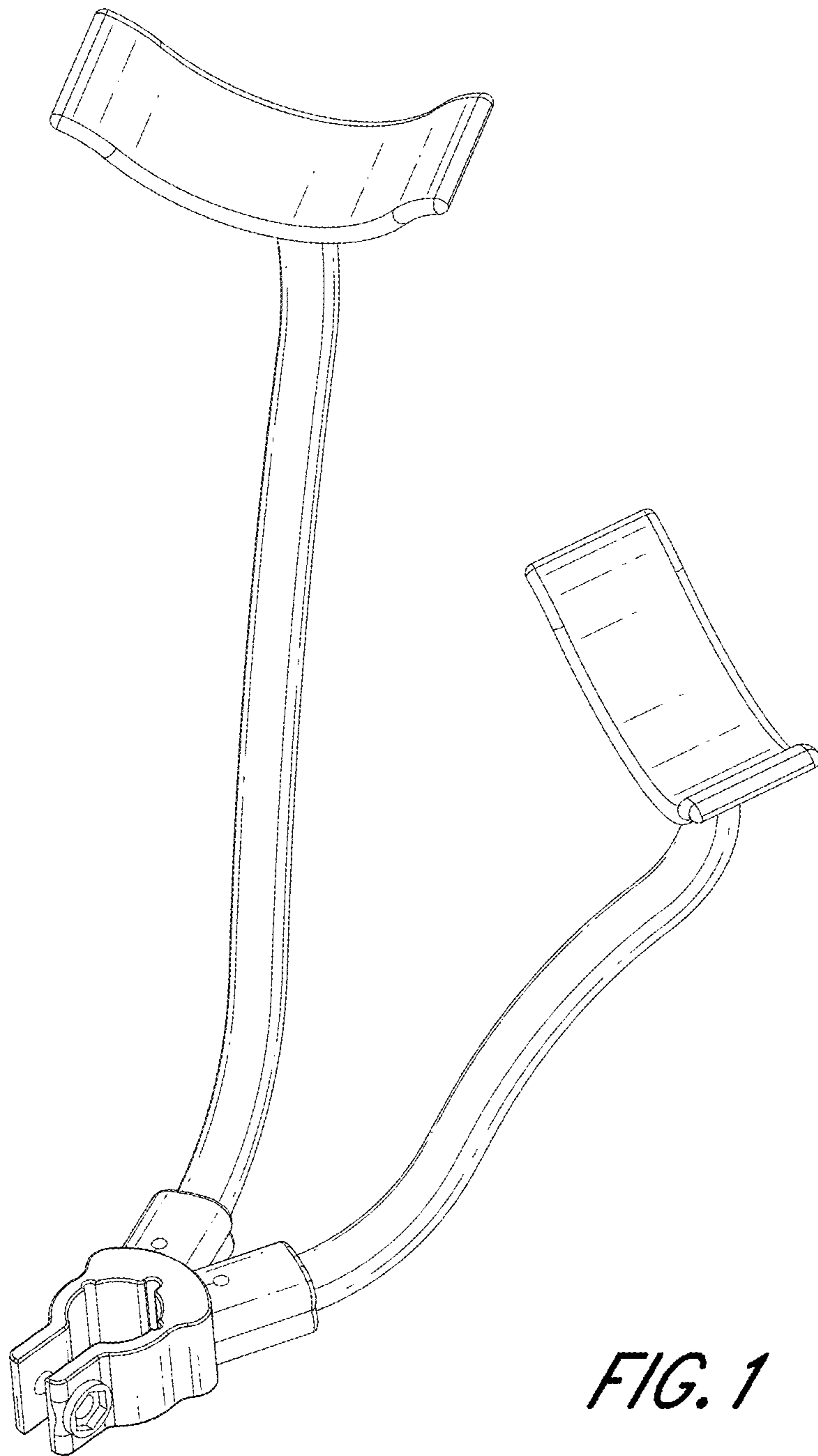


FIG. 1

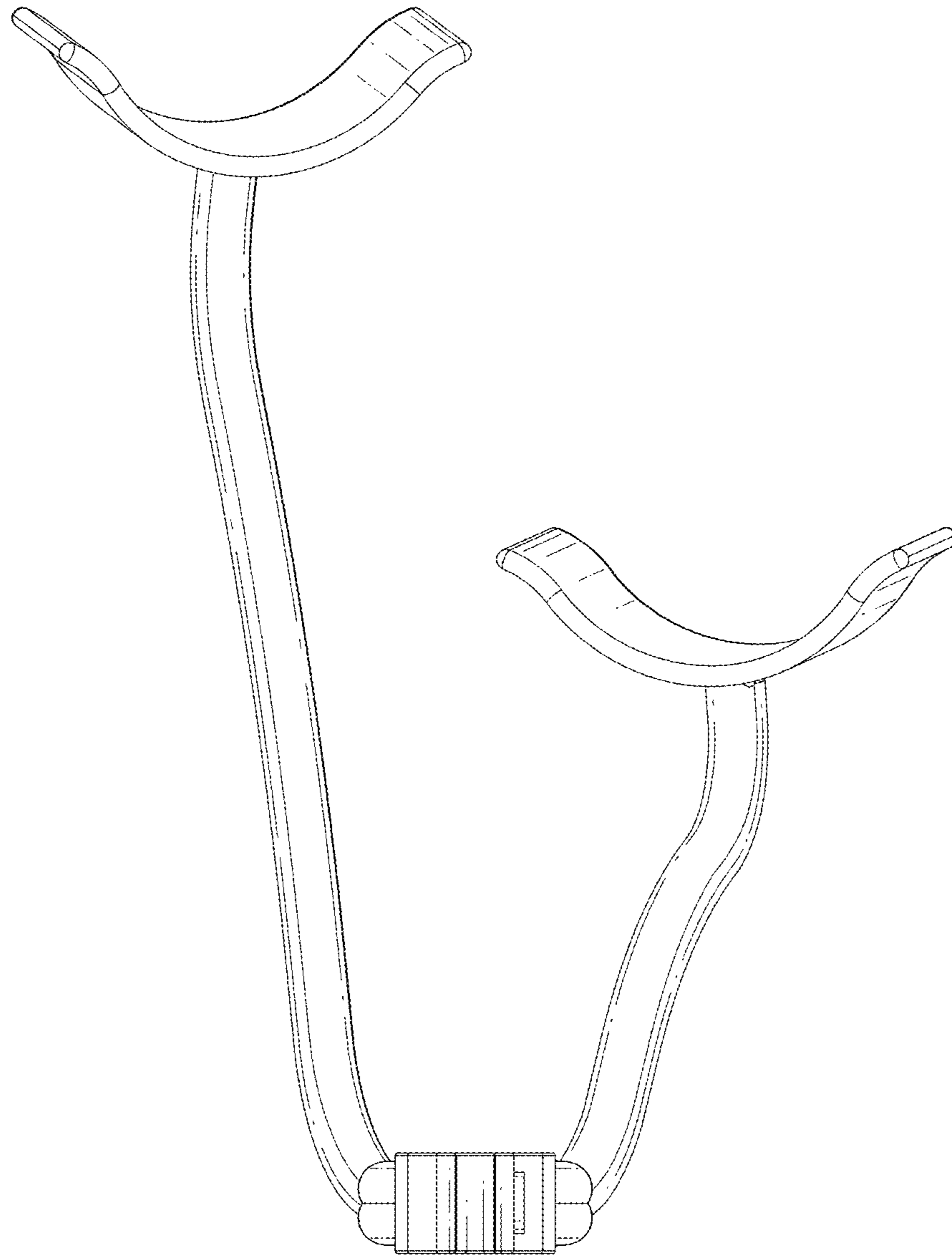


FIG. 2

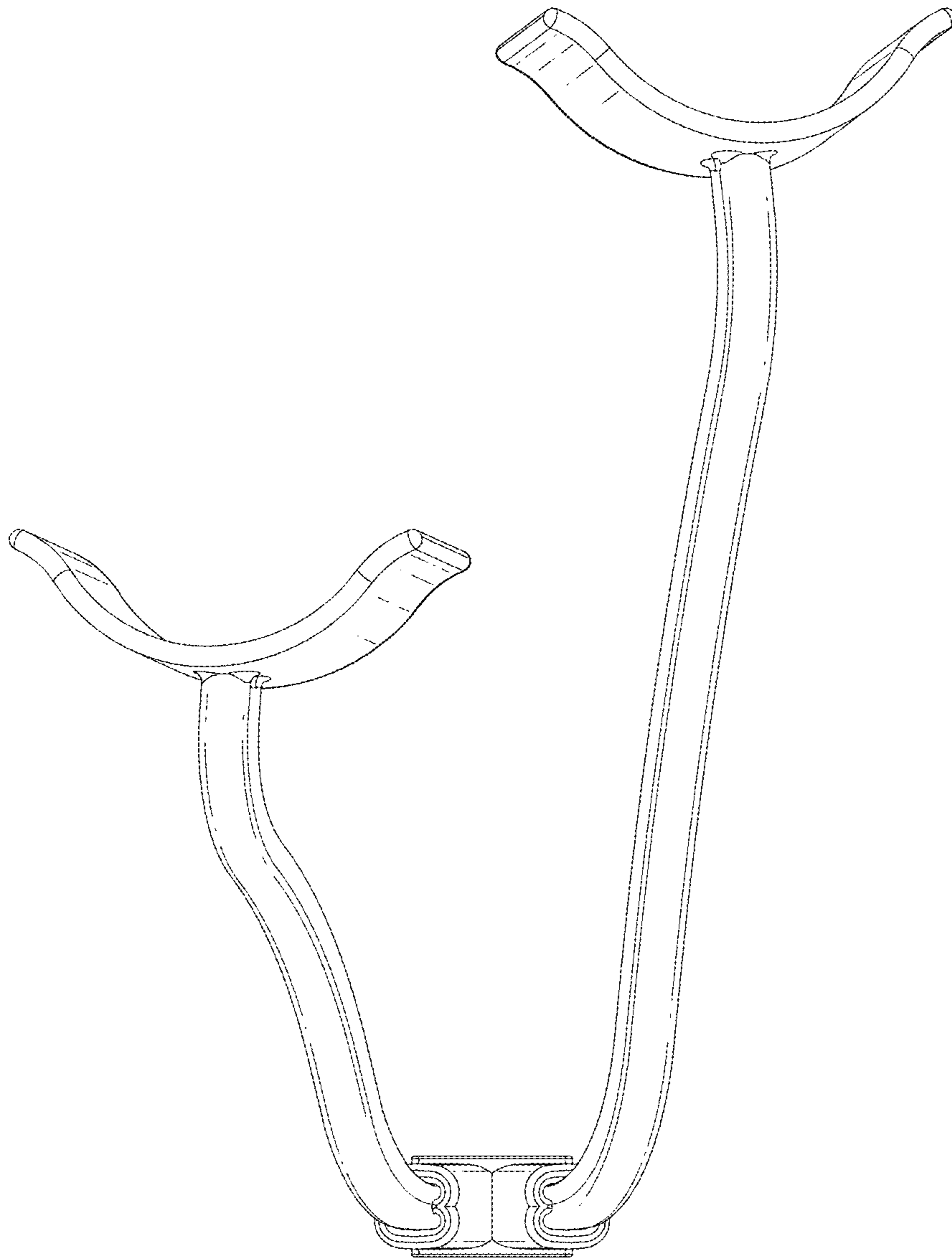


FIG. 3

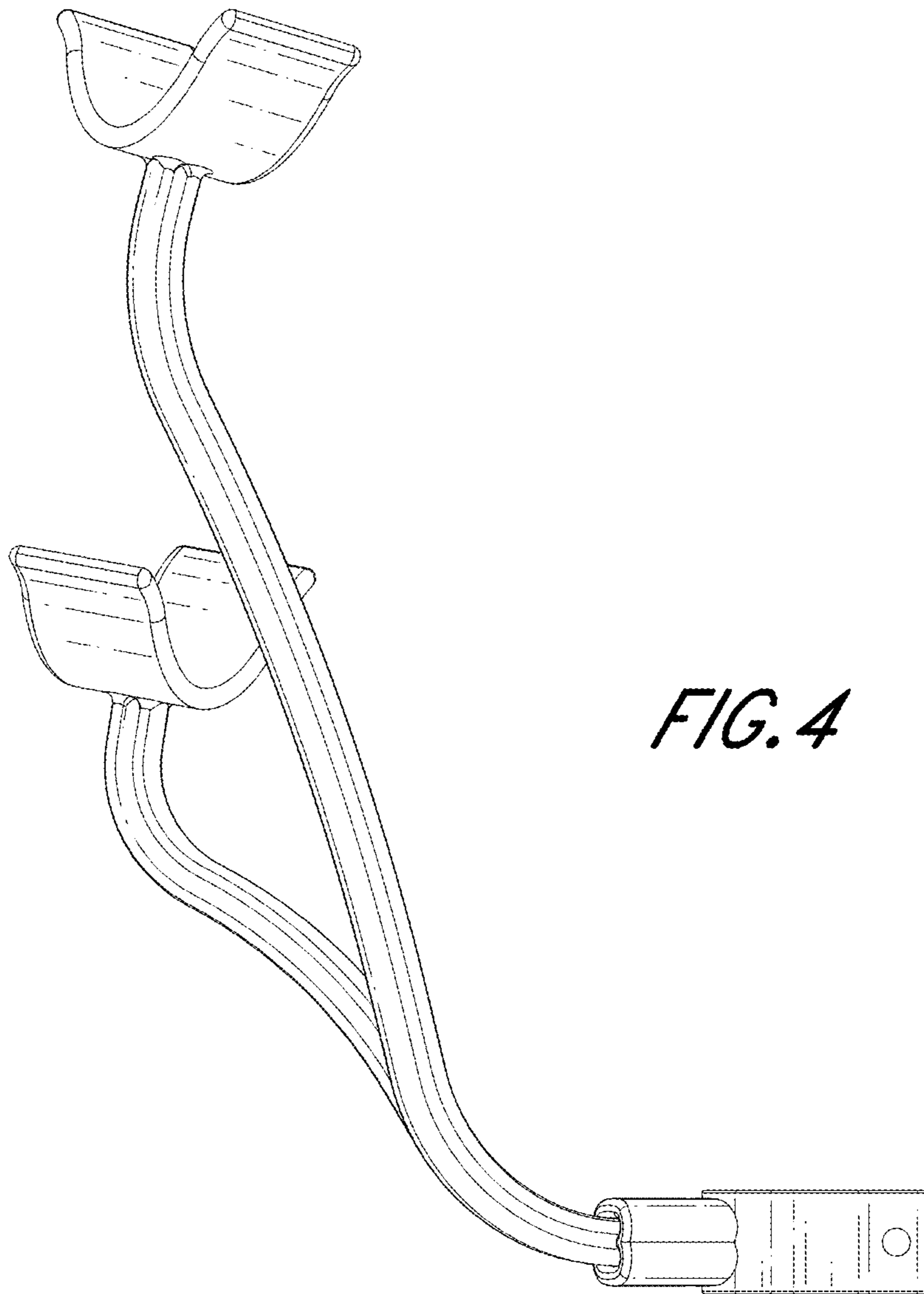


FIG. 4

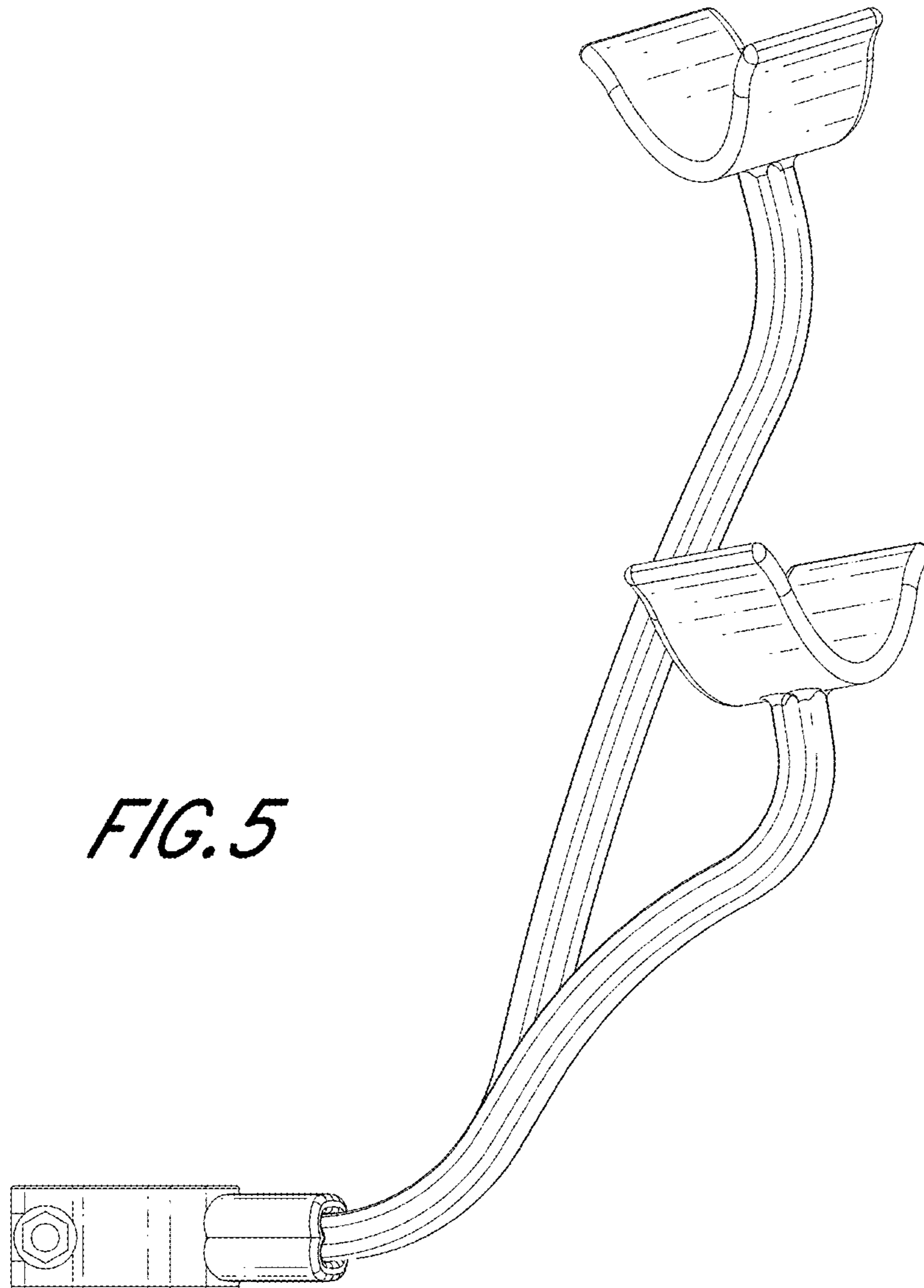


FIG. 5

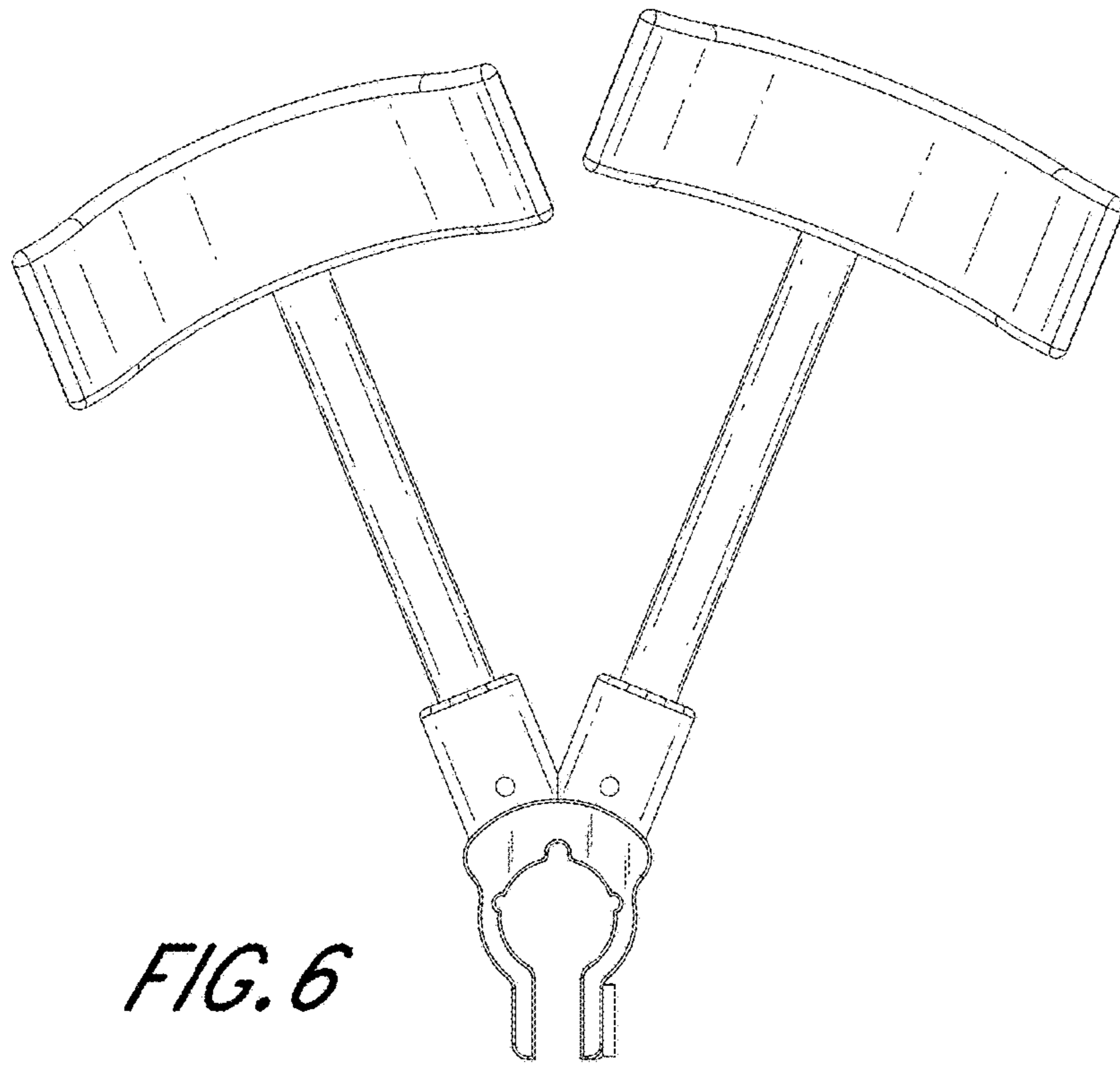


FIG. 6

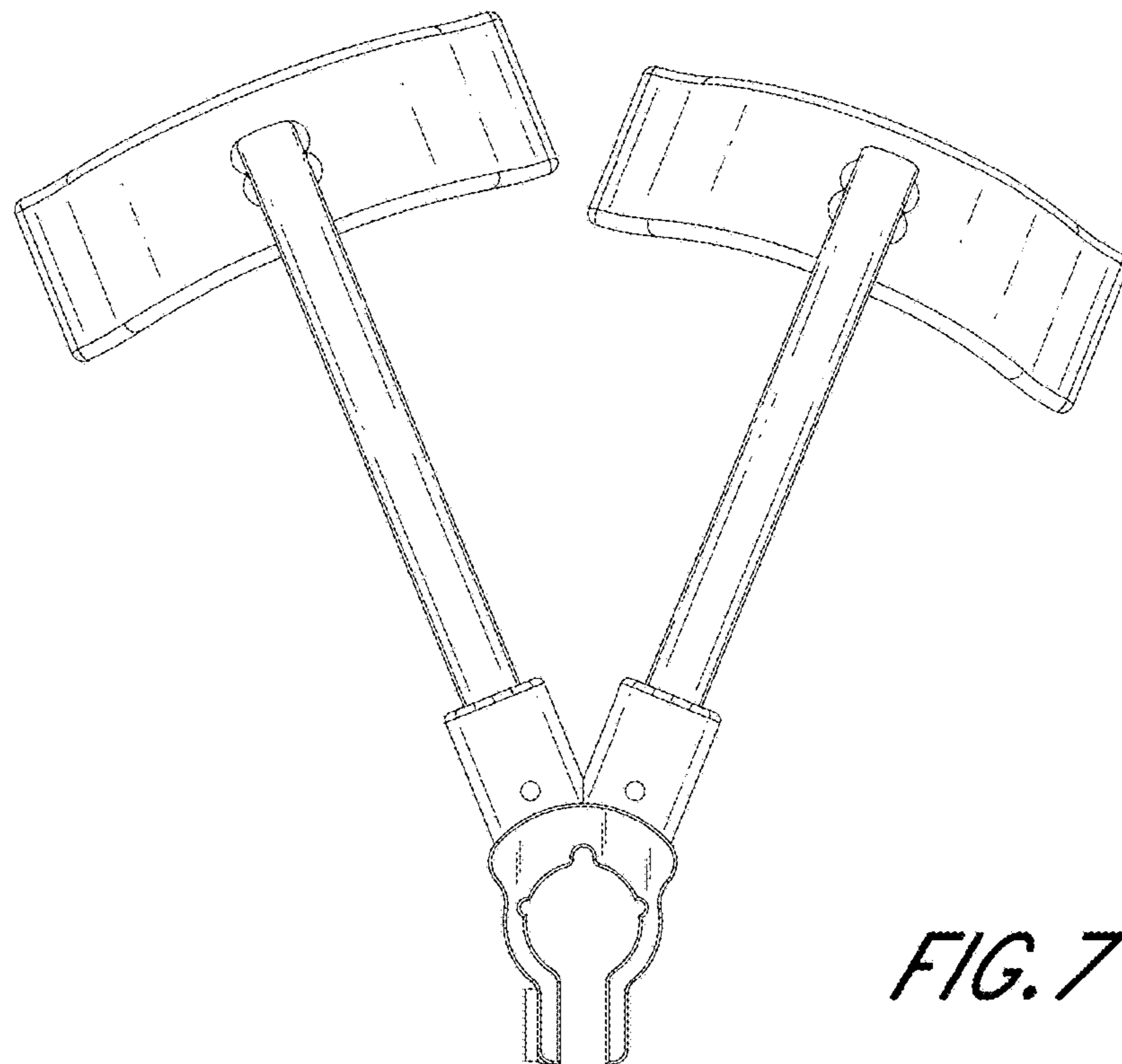


FIG. 7

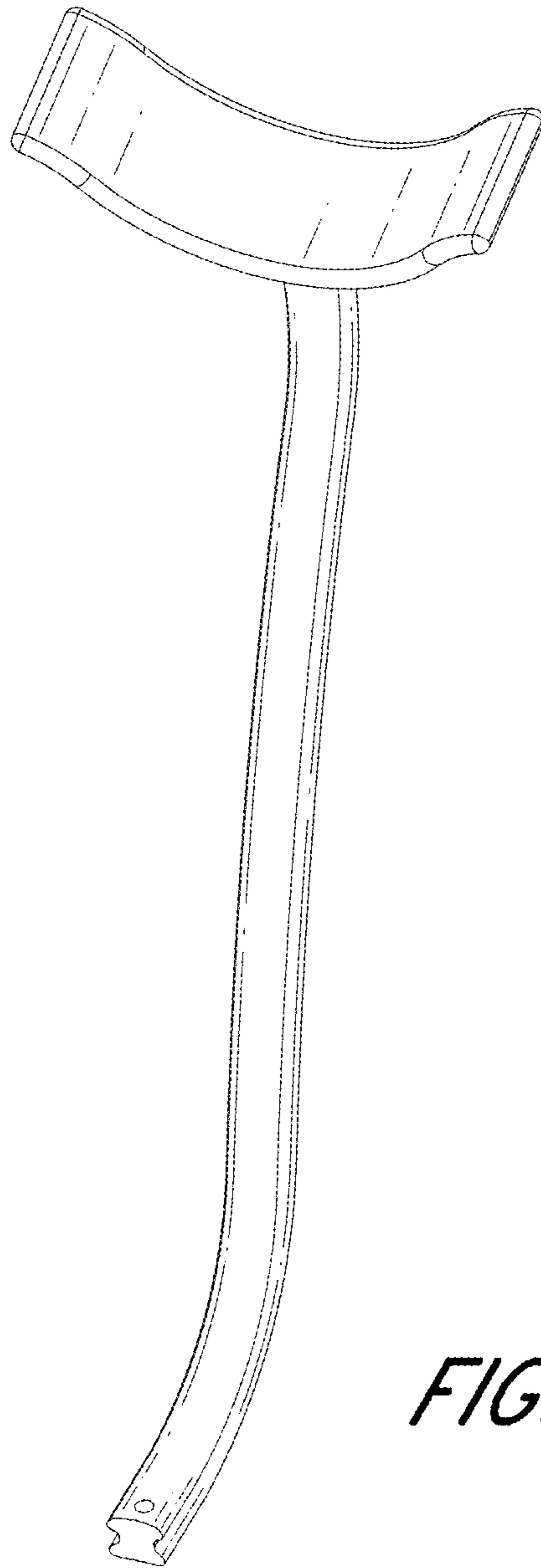


FIG. 8

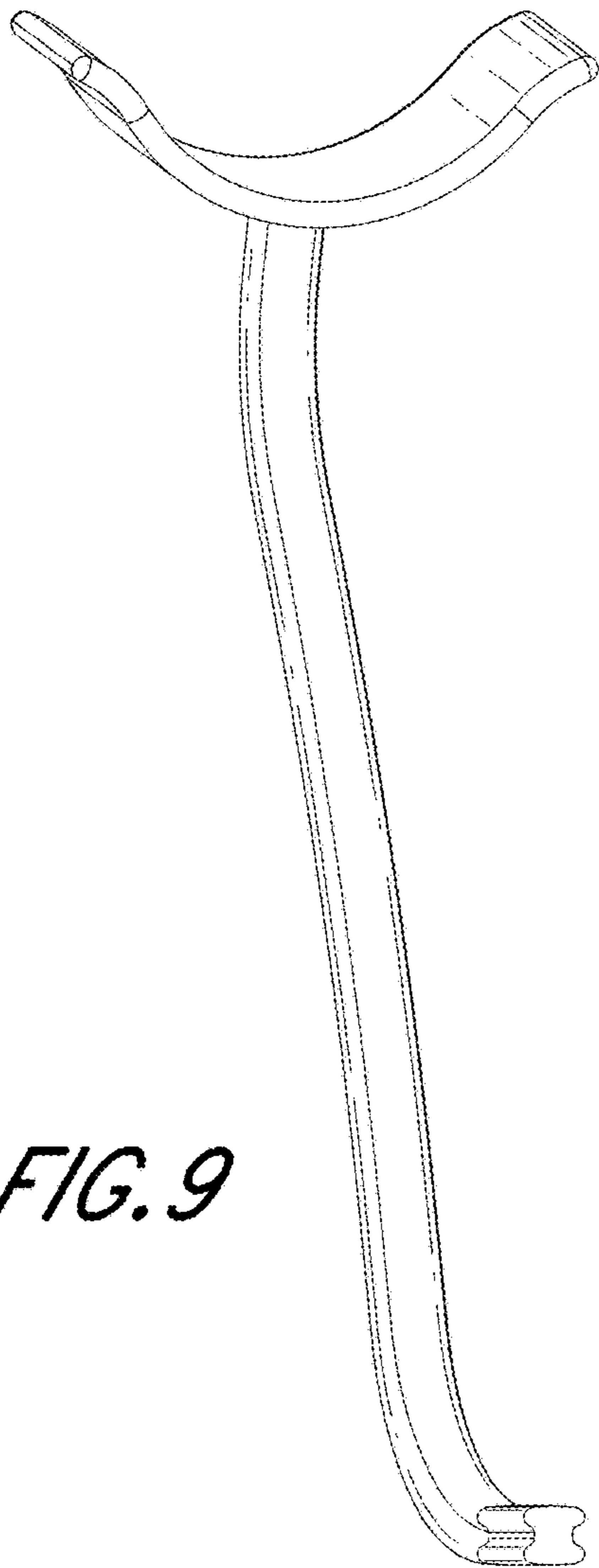


FIG. 9

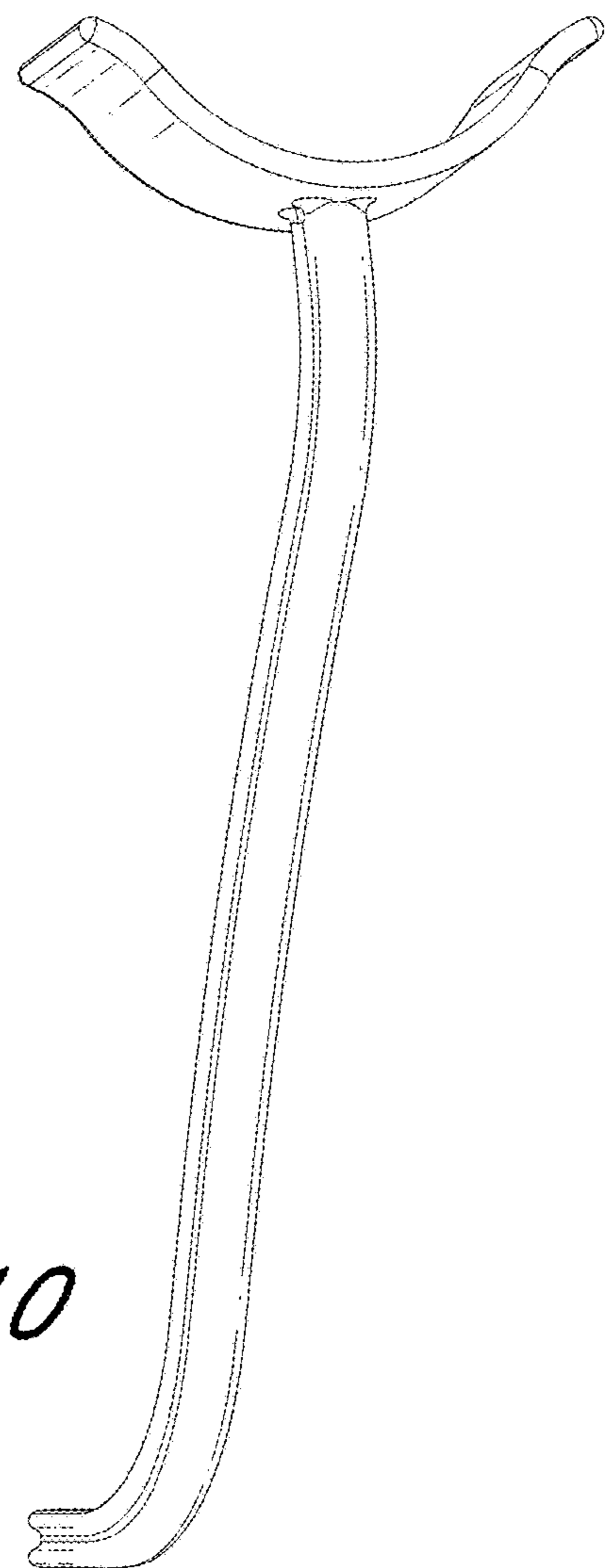


FIG. 10

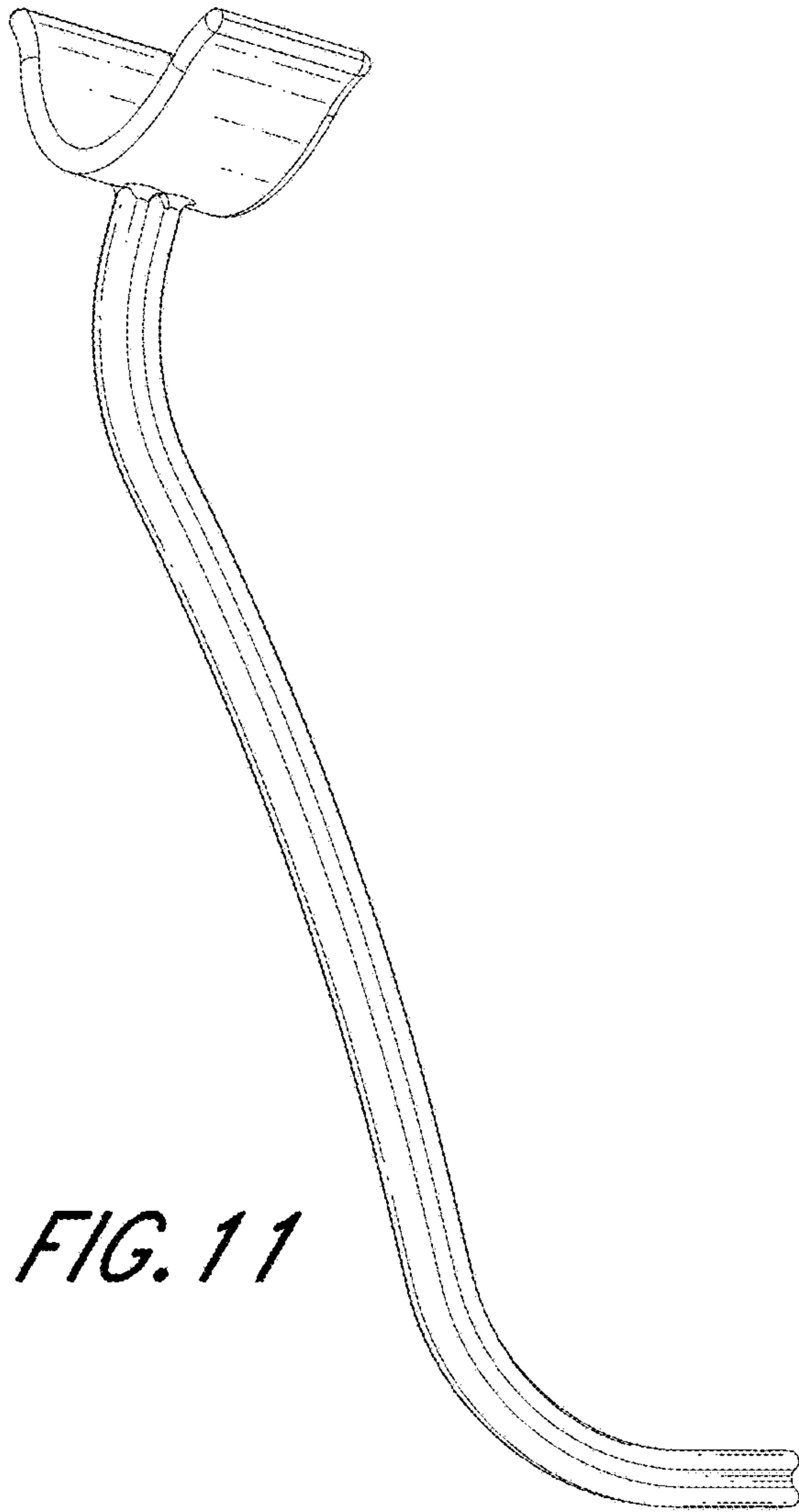


FIG. 11

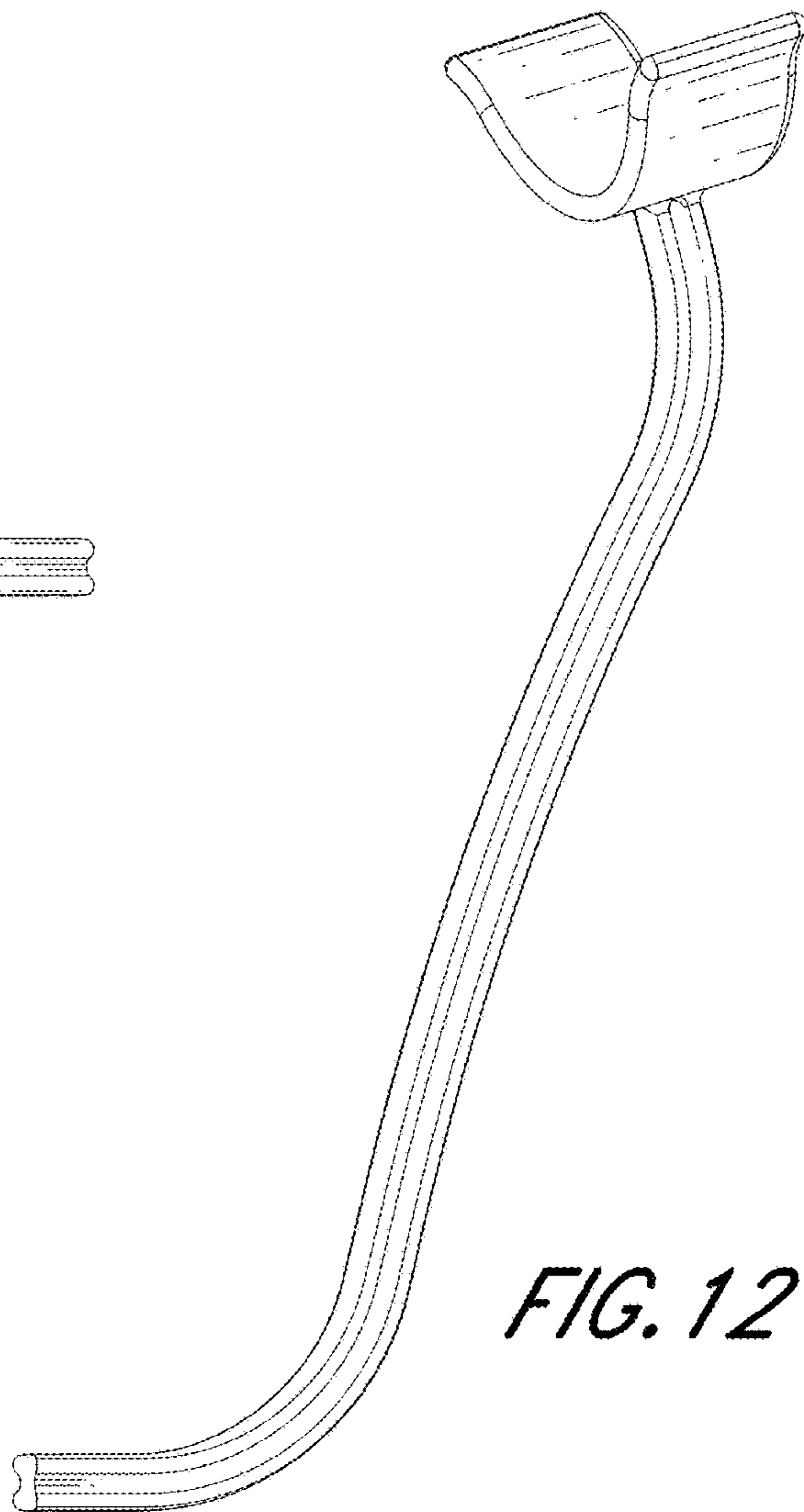


FIG. 12

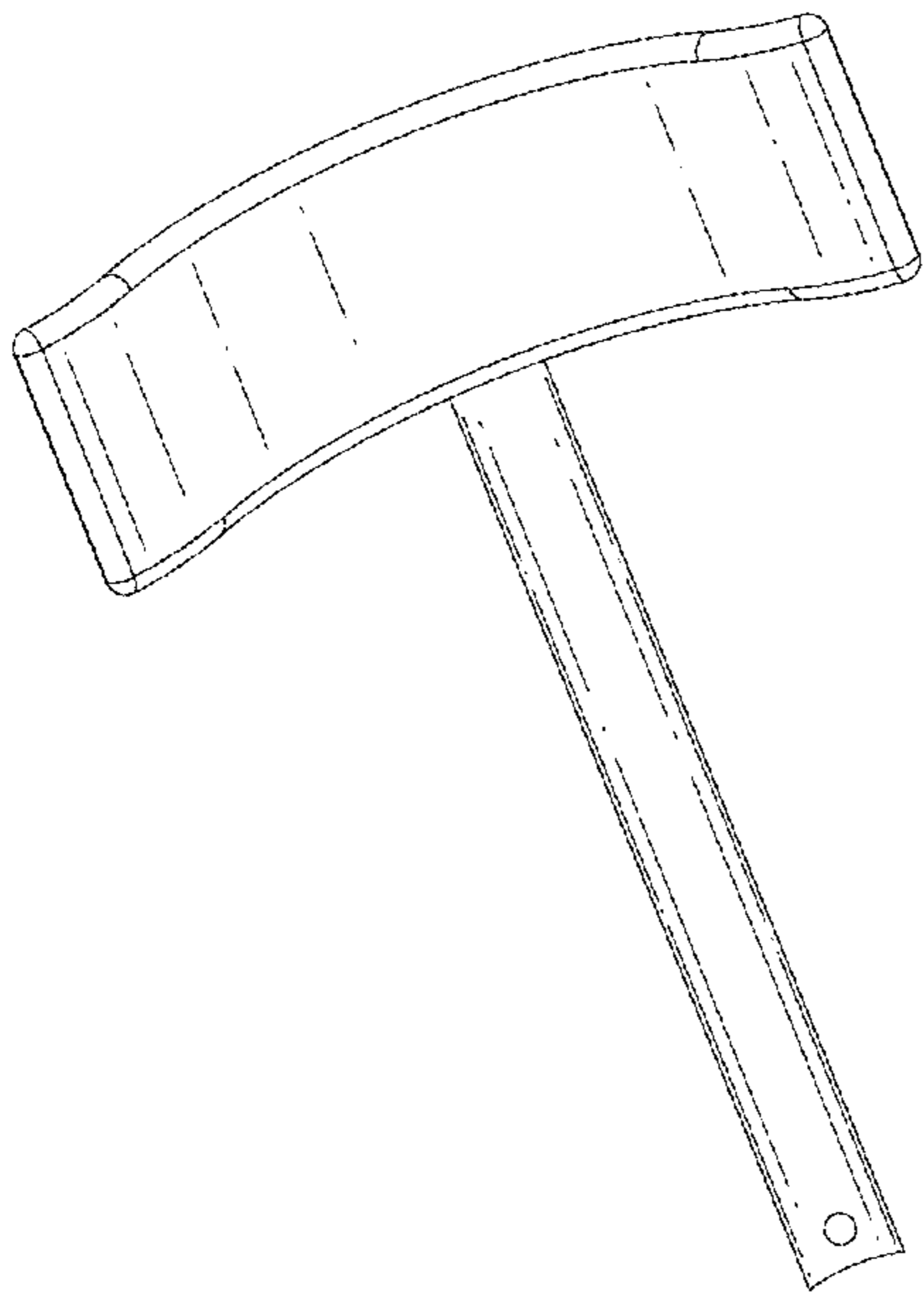


FIG. 13

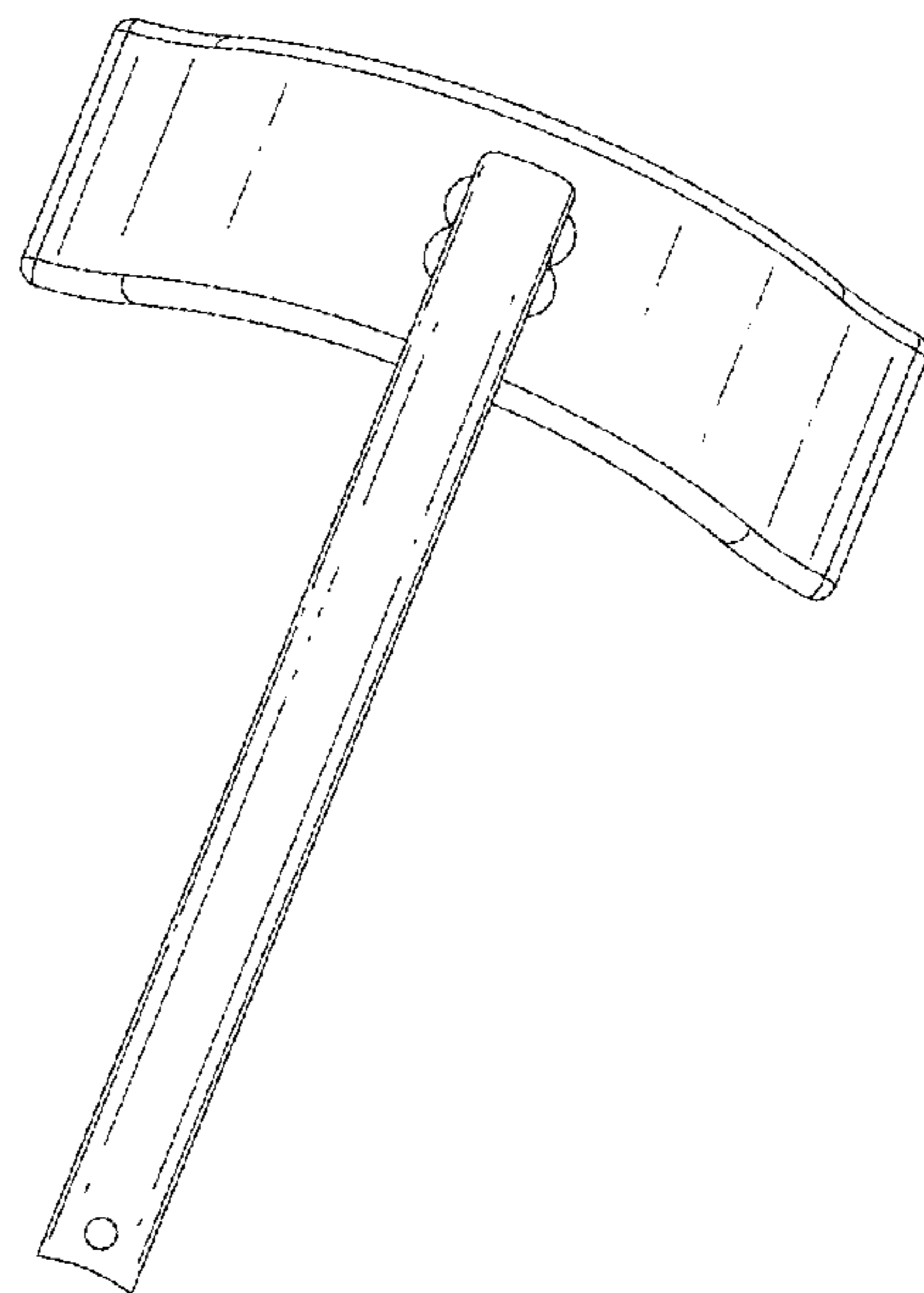


FIG. 14

FIG. 15

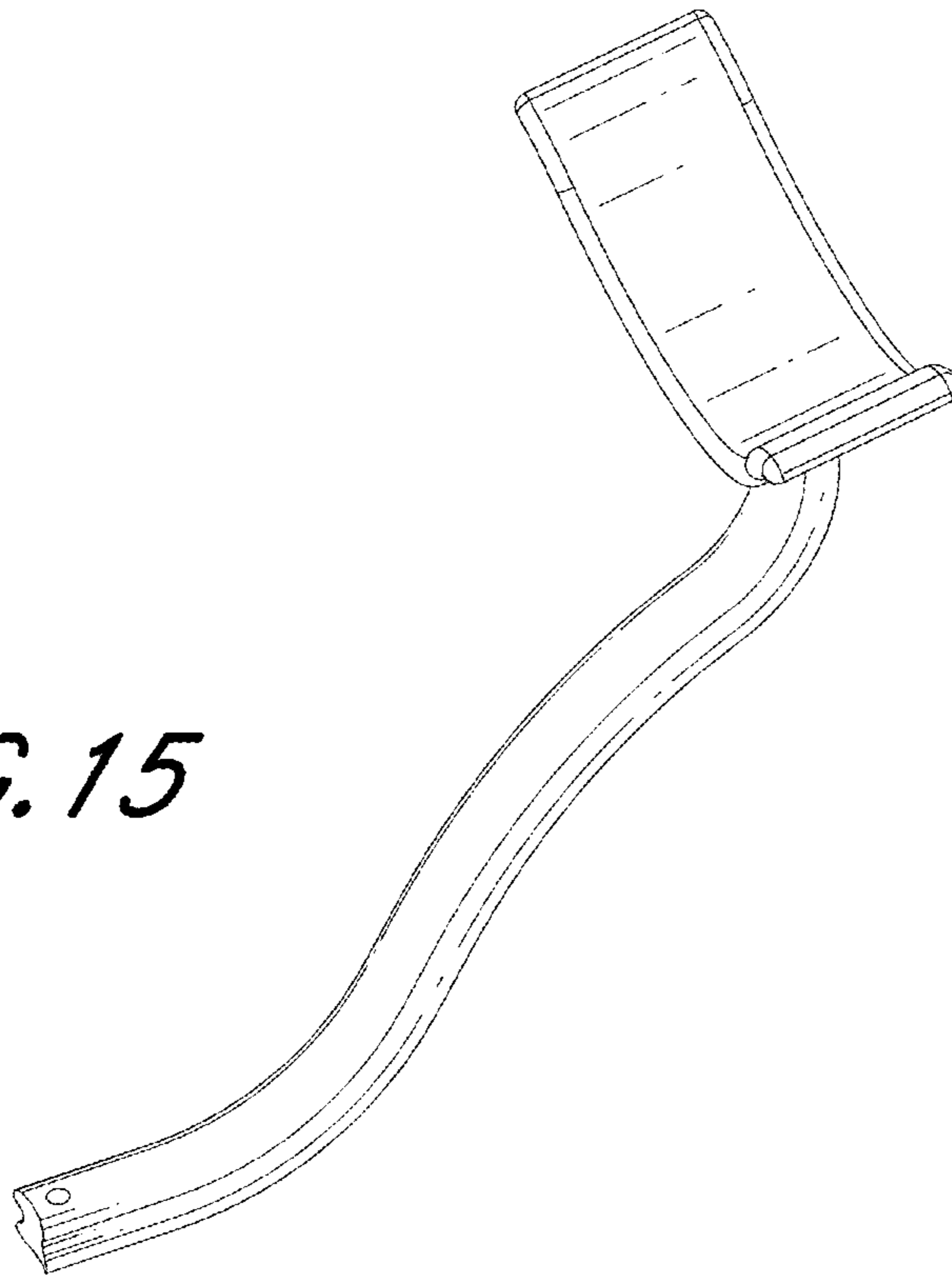


FIG. 16

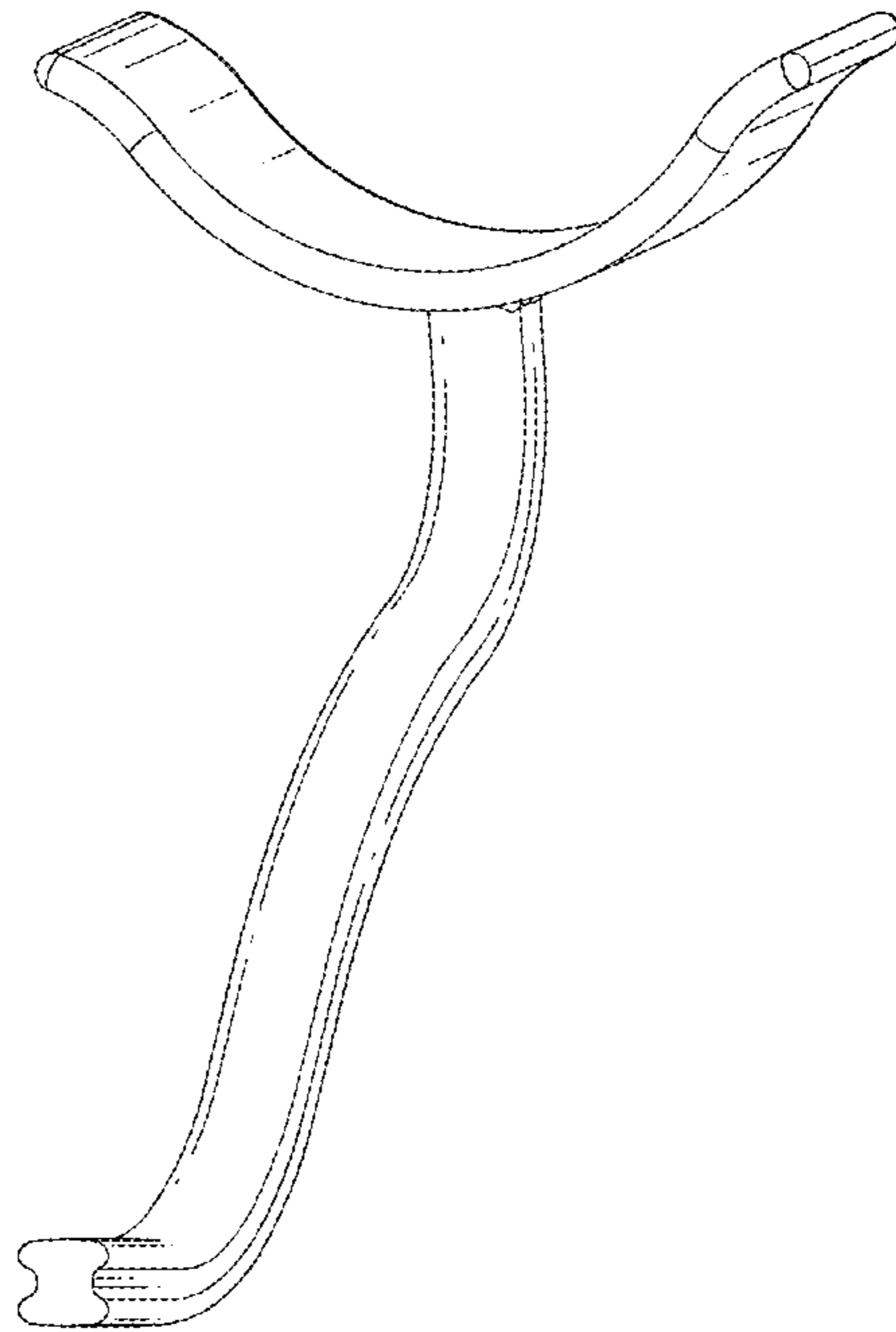
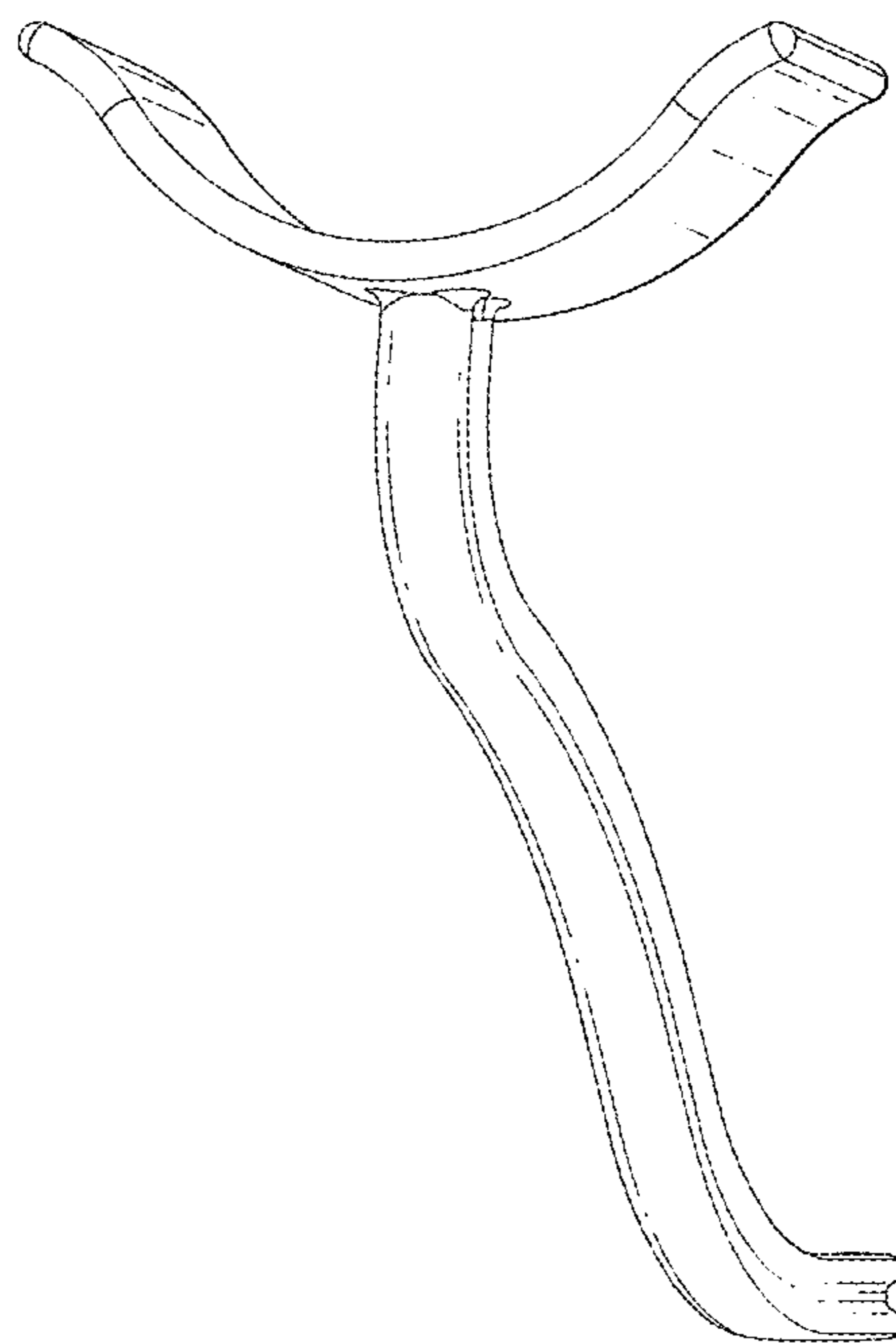


FIG. 17



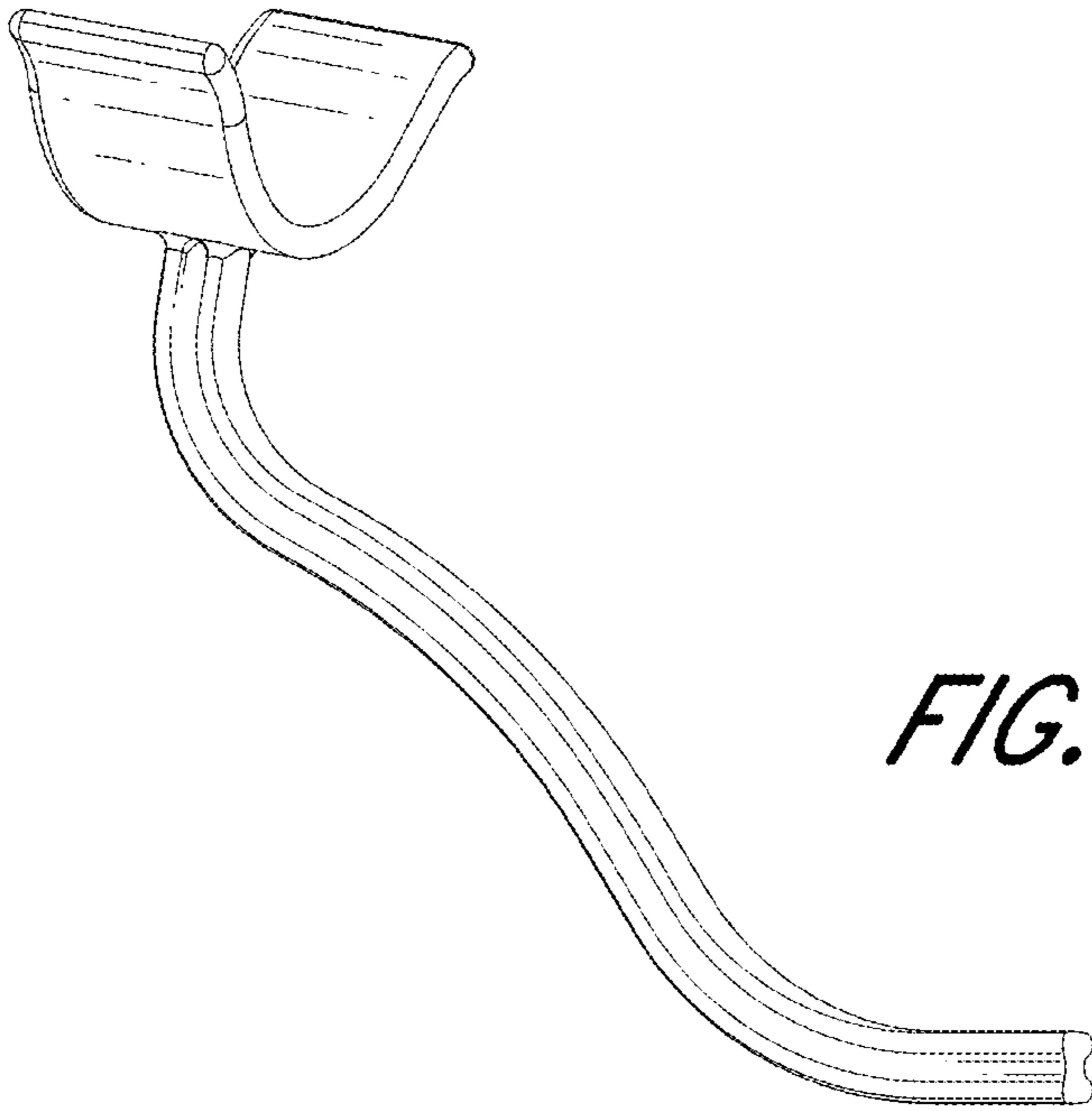


FIG. 18

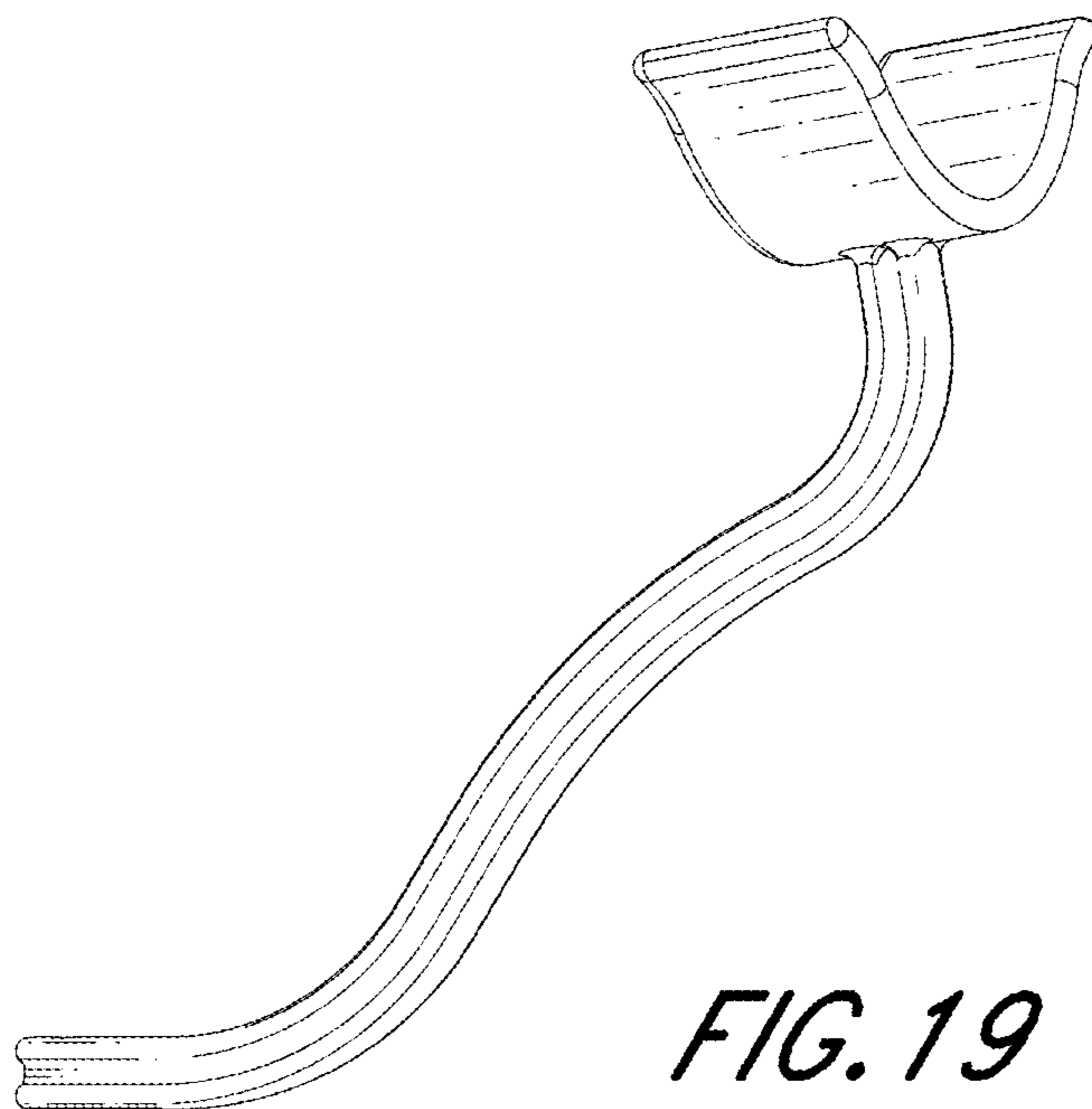


FIG. 19

FIG. 20

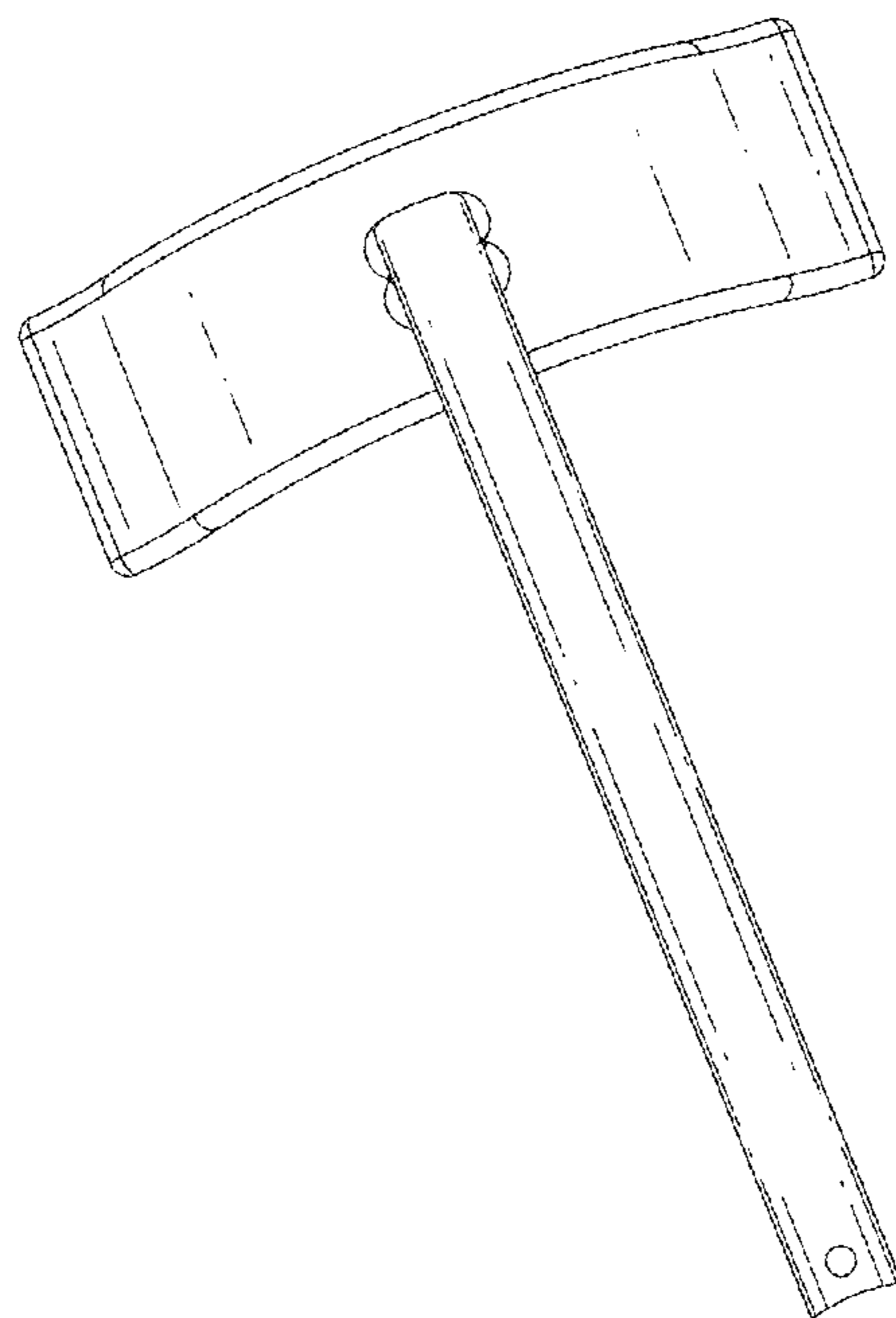
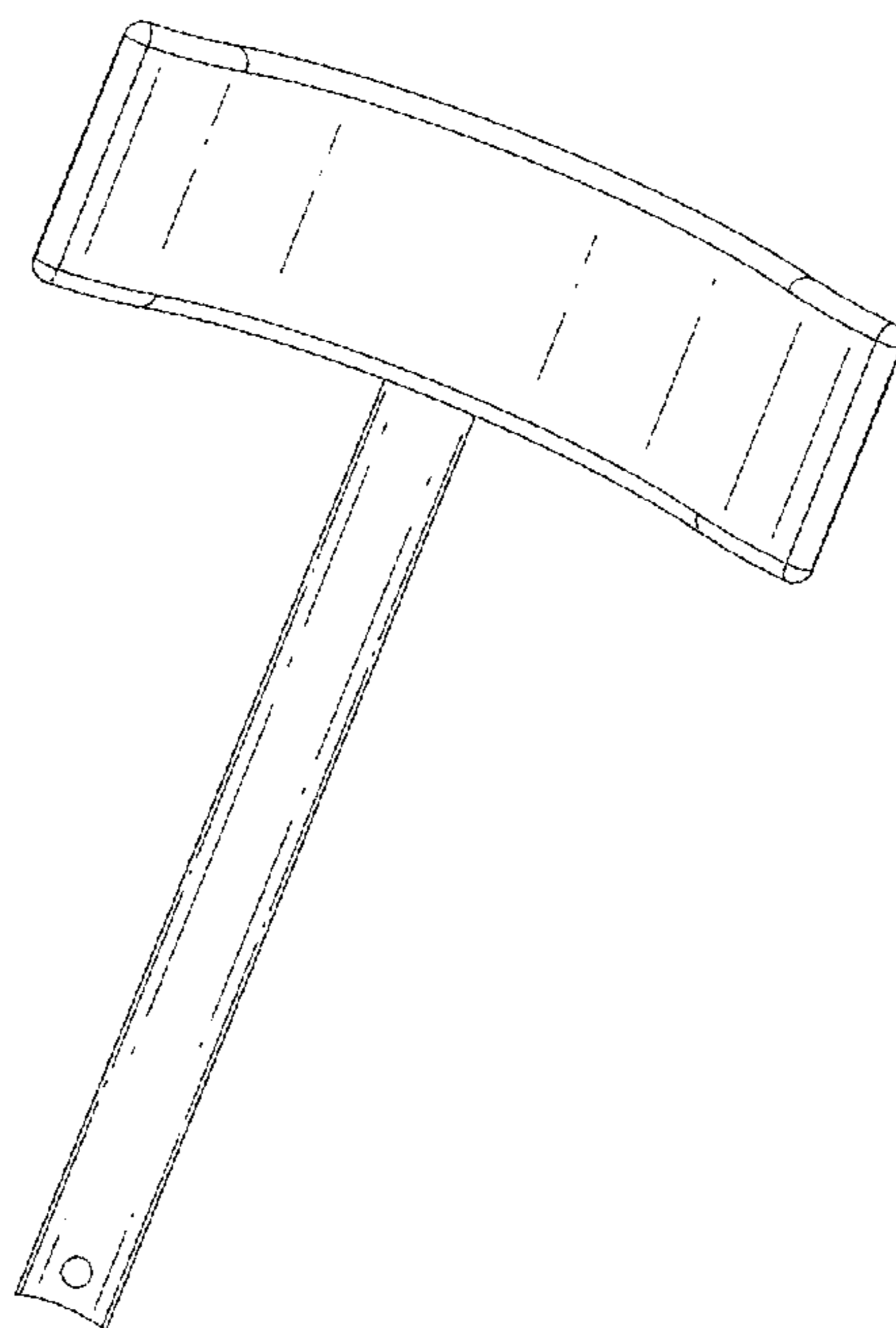


FIG. 21

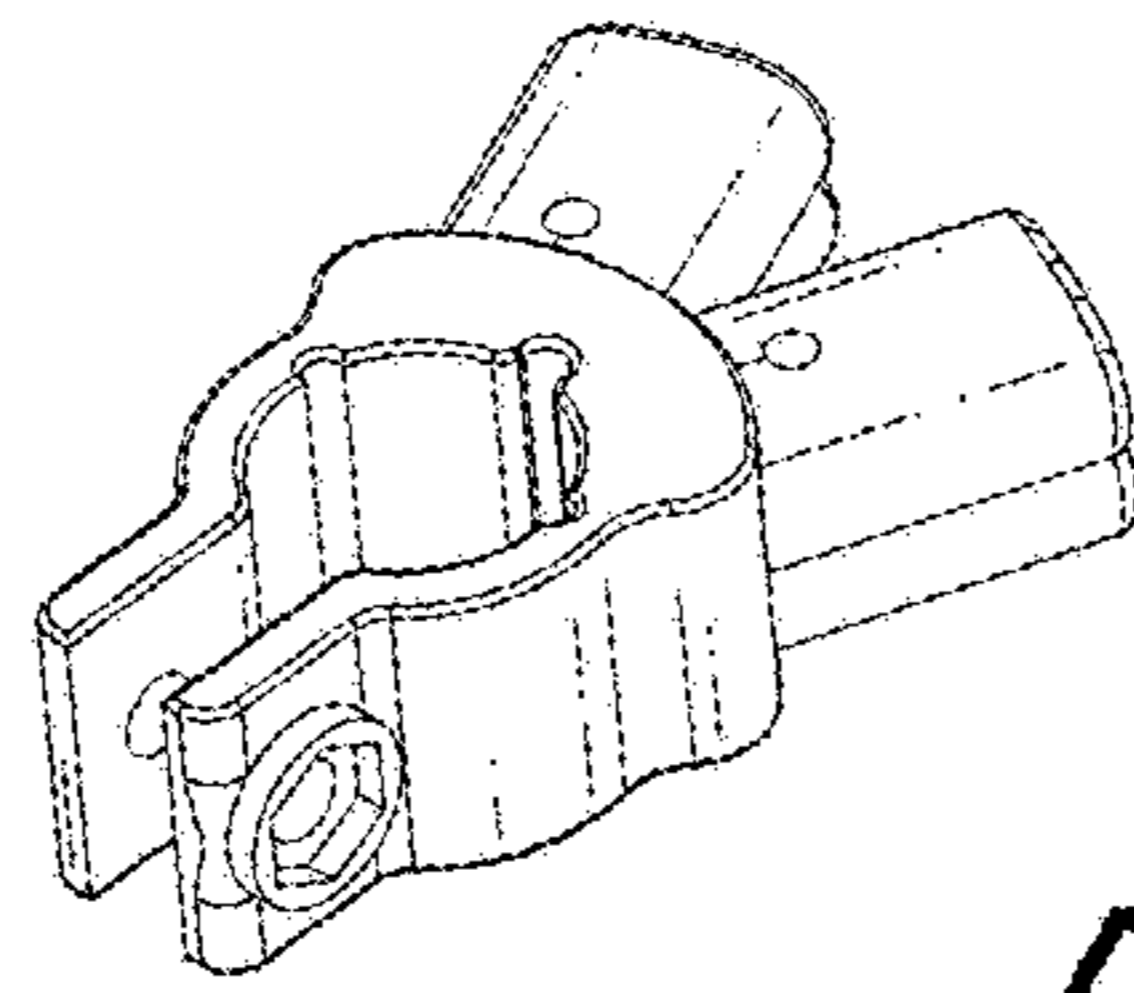


FIG. 22

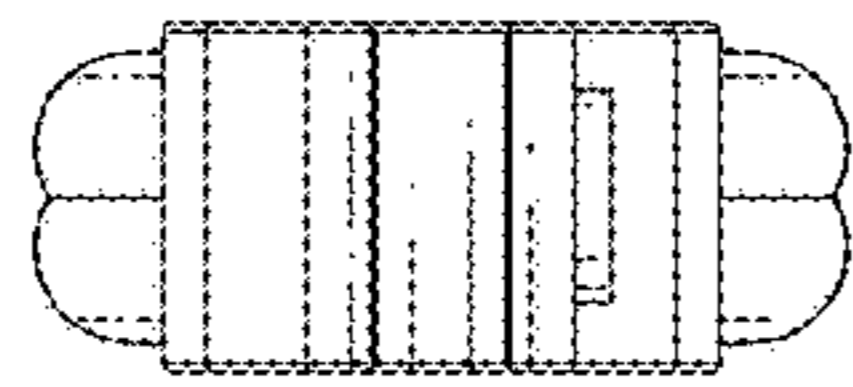


FIG. 23

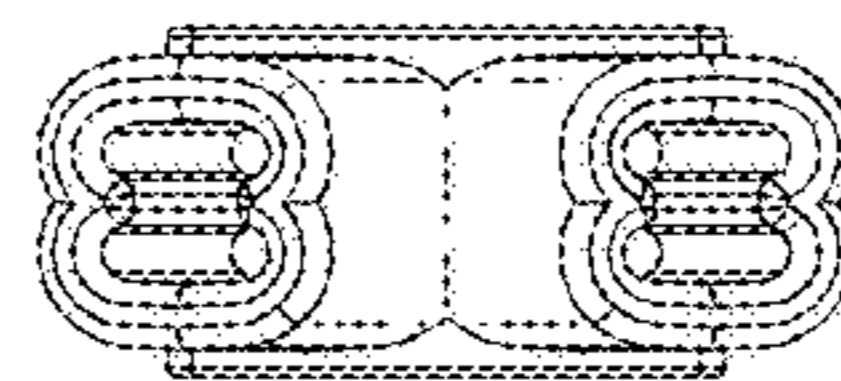


FIG. 24

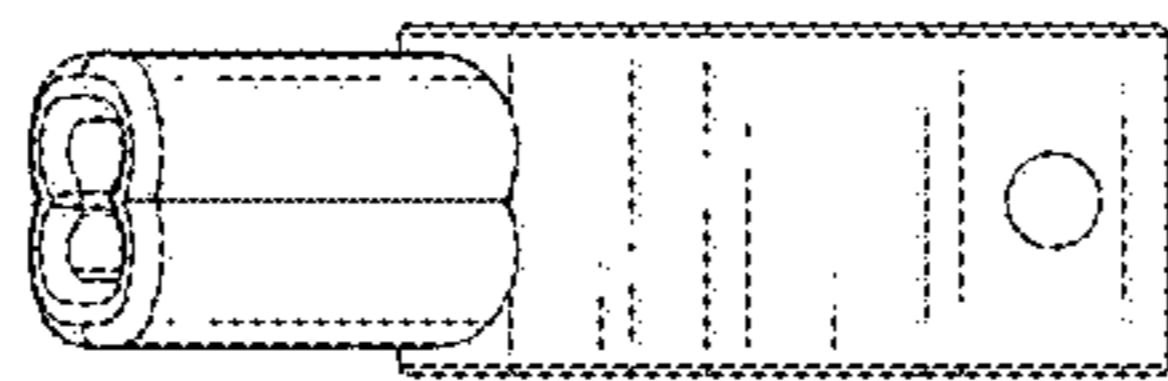


FIG. 25



FIG. 26

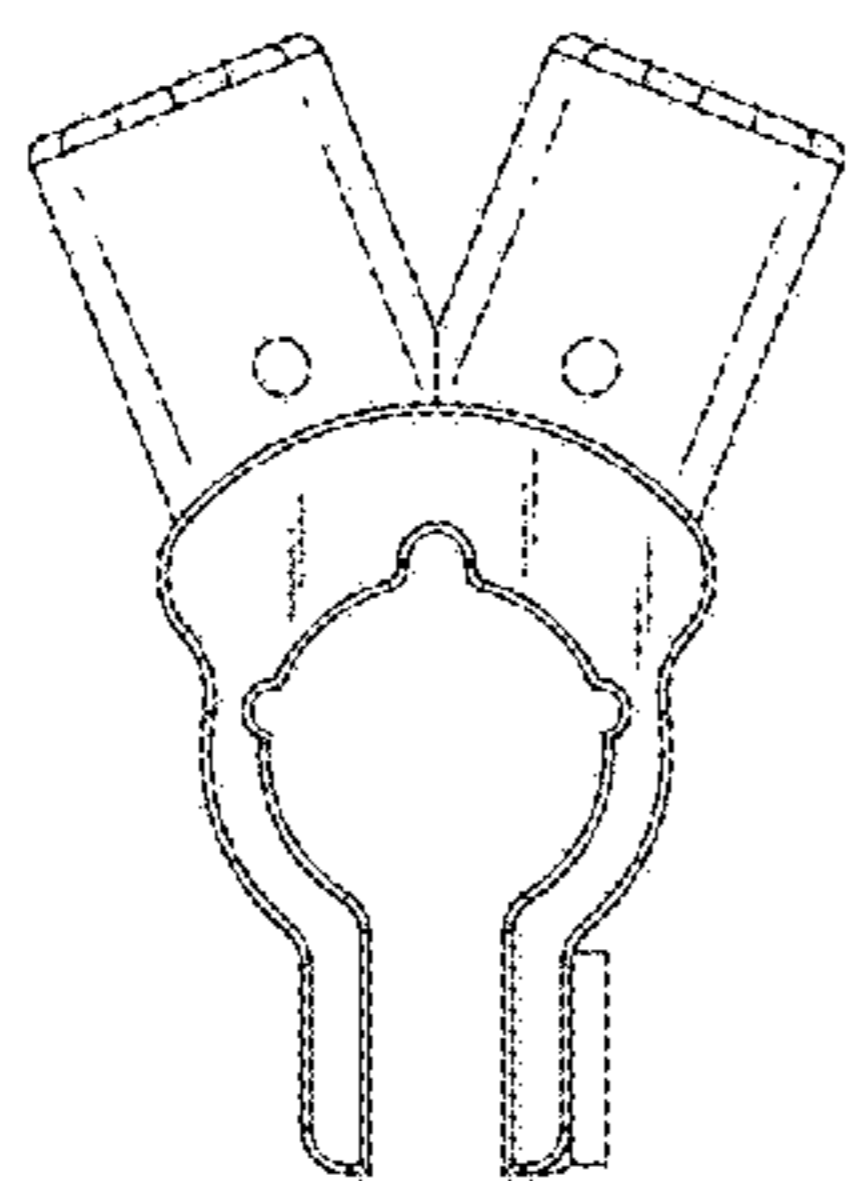


FIG. 27

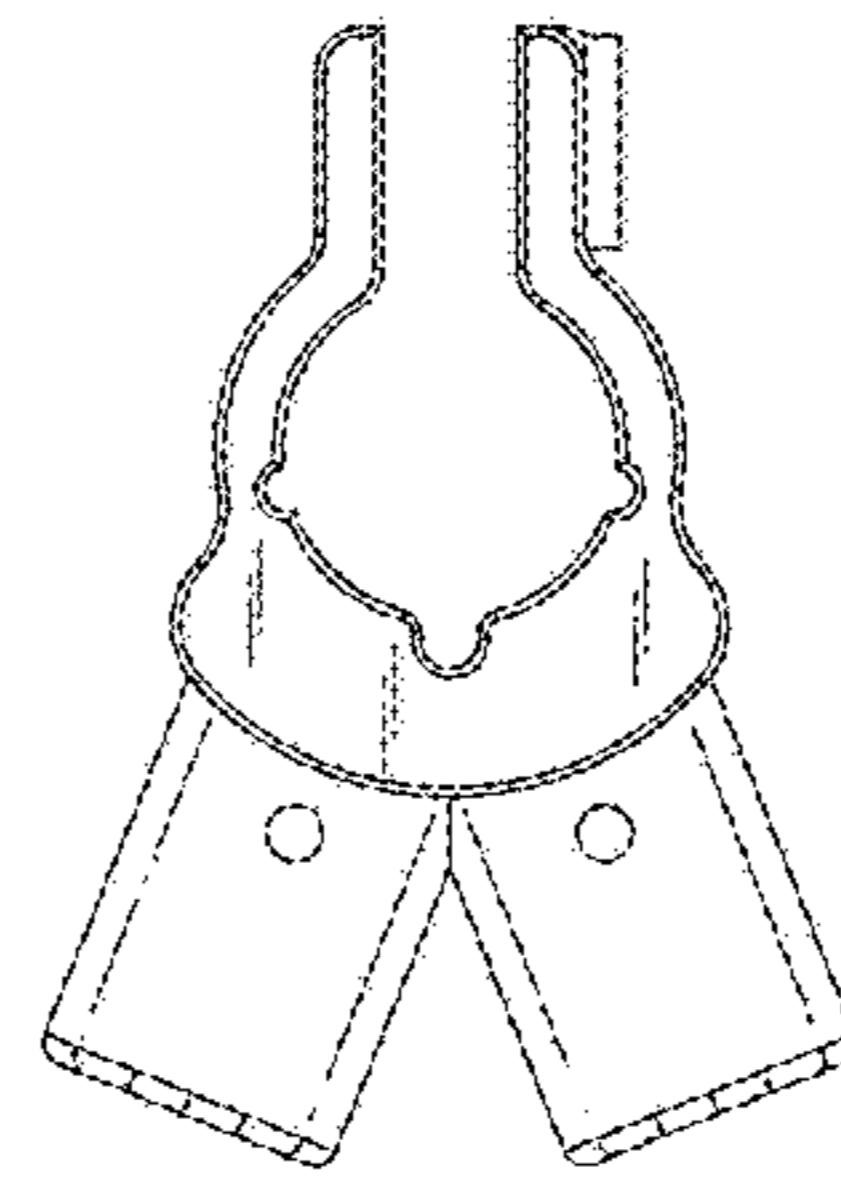


FIG. 28