



US00D797875S

(12) **United States Design Patent**
Ma

(10) **Patent No.:** **US D797,875 S**

(45) **Date of Patent:** **** Sep. 19, 2017**

(54) **SKATEBOARD**

(71) Applicant: **Koofy Development Limited**, West Avenue (CN)

(72) Inventor: **Ondy Song Qi Ma**, Hong Kong (CN)

(73) Assignee: **KOOFY DEVELOPMENT LIMITED**, Hong Kong (HK)

(**) Term: **15 Years**

(21) Appl. No.: **29/552,021**

(22) Filed: **Jan. 19, 2016**

(51) **LOC (10) Cl.** **21-02**

(52) **U.S. Cl.**
USPC **D21/765; D21/760**

(58) **Field of Classification Search**
USPC D21/419, 421, 423, 426, 662, 760, 765,
D21/766, 769, 771, 776, 803; D12/1;
(Continued)

(56) **References Cited**

U.S. PATENT DOCUMENTS

6,302,230 B1 10/2001 Kamen et al.
7,424,927 B2 9/2008 Hiramatsu
(Continued)

FOREIGN PATENT DOCUMENTS

CA 2492393 1/2004
CN 2673465 1/2005
(Continued)

OTHER PUBLICATIONS

Dingley, John, 'One Wheeled Motorbike, One Wheeled Skateboard, Two Wheeled Skateboard, all Self-Balancing' [online], publication

date unknown [retrieved on Jun. 28, 2016], retrieved from the Internet: [URL: <https://sites.google.com/site/onewheeledselfbalancing/>].

(Continued)

Primary Examiner — Cynthia M Chin

(74) *Attorney, Agent, or Firm* — Millman IP Inc.

(57) **CLAIM**

The ornamental design for a skateboard, as shown and described.

DESCRIPTION

FIG. 1 is a perspective view from above, to the front and to one side of a first embodiment of the new design for a skateboard;

FIG. 2 is a perspective view from above and to one side thereof;

FIG. 3 is a perspective view from below and to one side thereof;

FIG. 4 is a top plan view thereof;

FIG. 5 is a bottom plan view thereof;

FIG. 6 is a front side elevation view thereof;

FIG. 7 is a rear side elevation view thereof;

FIG. 8 is a left side elevation view thereof;

FIG. 9 is a right side elevation view thereof;

FIG. 10 is a perspective view from above, to the front and to one side of a second embodiment of the new design for a skateboard;

FIG. 11 is a perspective view from above and to one side thereof;

FIG. 12 is a perspective view from below and to one side thereof;

FIG. 13 is a top plan view thereof;

FIG. 14 is a bottom plan view thereof;

FIG. 15 is a front side elevation view thereof;

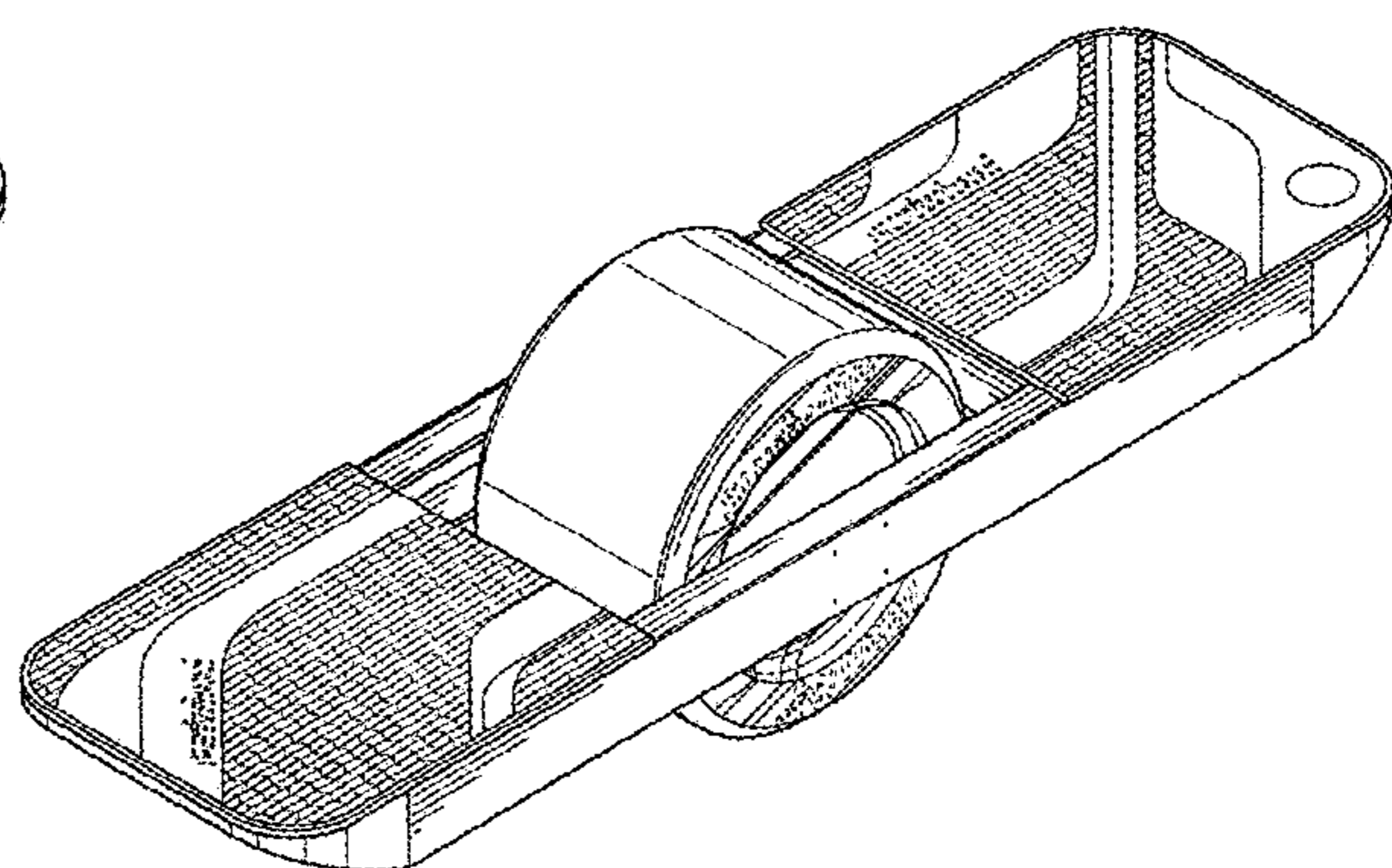
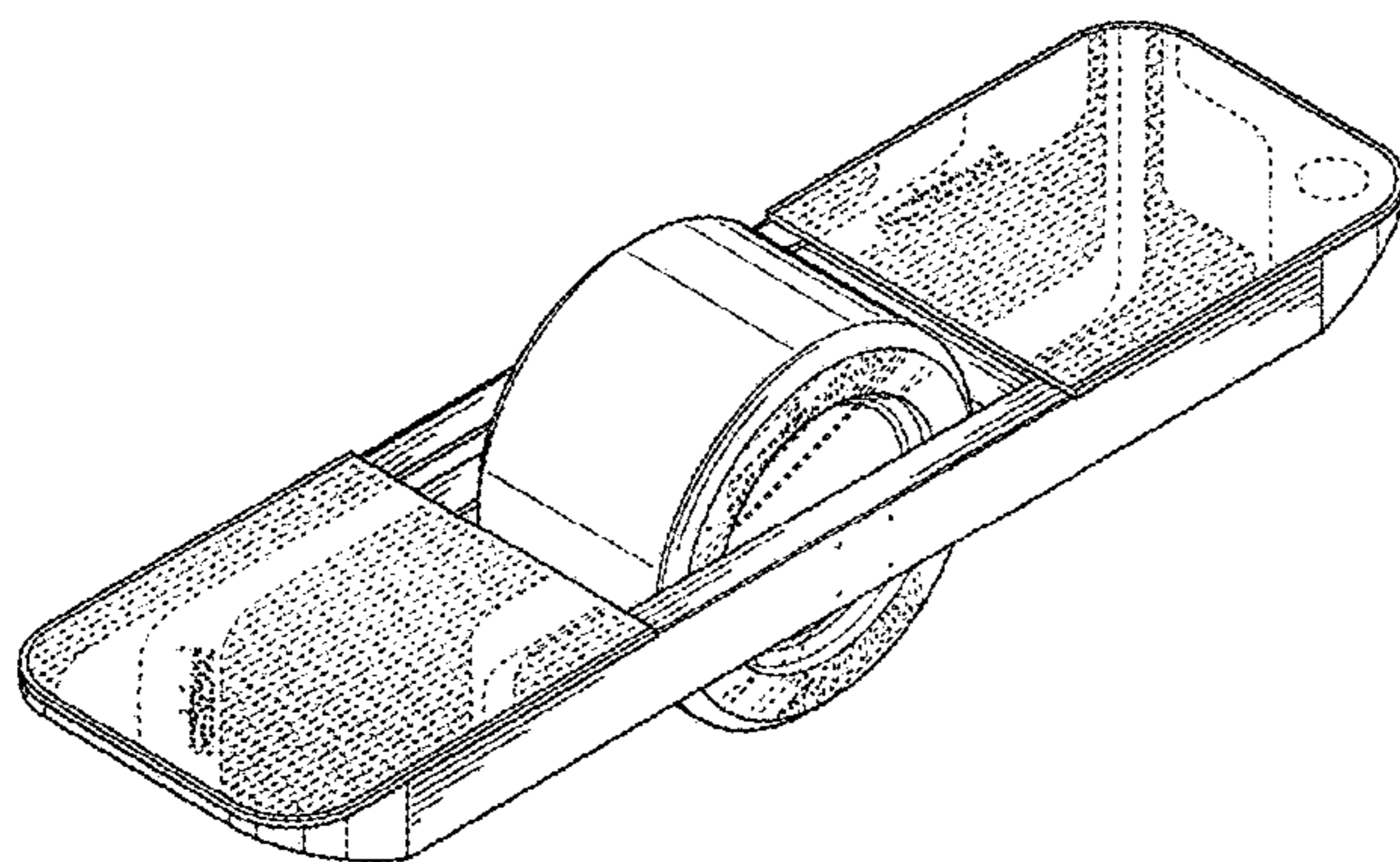
FIG. 16 is a rear side elevation view thereof;

FIG. 17 is a left side elevation view thereof; and,

FIG. 18 is a right side elevation view thereof.

The broken lines are for the purpose of illustrating portions of the skateboard that form no part of the claim.

1 Claim, 16 Drawing Sheets



(58) **Field of Classification Search**

USPC 280/7.14, 11.115, 11.19, 11.27, 11.28,
 280/14.21, 79.11, 79.2, 87.01, 87.021,
 280/87.03, 87.041, 87.042, 607, 608, 609,
 280/809; 180/180, 181; 434/247, 253,
 434/258; D34/23, 28
 CPC A63C 17/01; A63C 17/011; A63C 17/012;
 A63C 17/014; A63C 17/015; A63C
 17/02; A63C 17/26; A63C 5/003; B60Q
 1/326; B62K 3/001

See application file for complete search history.

FOREIGN PATENT DOCUMENTS

CN	102179039	9/2011
CN	202179842	4/2012
CN	202740750	2/2013
CN	103191558	7/2013
CN	203232269	10/2013
CN	203244742	10/2013
CN	203244743	10/2013
CN	204017335	12/2014
WO	0142077	6/2001
WO	2014182527	11/2014

(56) **References Cited**

U.S. PATENT DOCUMENTS

7,467,681	B2	12/2008	Hiramatsu	
7,811,217	B2 *	10/2010	Odien	A63B 21/0058 482/147
D704,786	S *	5/2014	Tang	D21/765
8,738,278	B2	5/2014	Chen	
9,101,817	B2 *	8/2015	Doerksen	A63C 17/12
9,211,470	B2 *	12/2015	Bigler	A63C 17/12
D746,928	S *	1/2016	Doerksen	D21/765
9,452,345	B2 *	9/2016	Doerksen	A63C 17/01
D768,252	S *	10/2016	Bigler	D21/760
D769,997	S *	10/2016	Doerksen	D21/765
2006/0012141	A1 *	1/2006	Bouvet	A63C 17/12 280/87.042
2007/0254789	A1	11/2007	Odien	
2008/0242515	A1	10/2008	Odien	
2010/0330876	A1 *	12/2010	Carlson	A63H 29/20 446/462
2011/0220427	A1	9/2011	Chen	
2014/0326525	A1	11/2014	Doerksen	
2015/0107922	A1 *	4/2015	Bigler	A63C 17/12 180/181
2015/0323935	A1	11/2015	Doerksen	
2016/0121198	A1 *	5/2016	Doerksen	A63C 17/01 701/22

OTHER PUBLICATIONS

The ZBoard Electric Skateboard Store' [online], ZBoard, publica-
 tion date unknown [retrieved on Jun. 28, 2016], retrieved from the
 Internet: [URL: <http://www.zboardshop.com/>].
 iCarbot—Newest Patent 4 Wheel Electric Scooter, Powered Walk
 Car' [online], Shenzhen Counterbalance Technology co., Ltd and
 Zhengzhou F-wheel Industrial Co., Ltd, 2012-2015 [retrieved on
 Jun. 28, 2016], retrieved from the Internet: [URL: <http://www.fwheel.cc/Product-Self-Balancing-Electric-Unicycle/iCarbot-walkcar-four-wheel-scooter.html>].
 Motion Controller' [online], Wikimedia Foundation, Jun. 26, 2016
 [retrieved Jun. 28, 2016], retrieved from the Internet: [URL: https://en.wikipedia.org/wiki/Motion_controller].
 Boosted—The Ultimate Electric Skateboard' [online], Boosted
 Boards, 2016 [retrieved Jun. 28, 2016], retrieved from the Internet:
 [URL: <https://boostedboards.com/>].
 Kelion, Leo, 'CES 2016: Hoverboard booth raided following patent
 complaint' [online], BBC News, The British Broadcasting Corpo-
 ration, Jan. 8, 2016 [retrieved Jun. 28, 2016], retrieved from the
 Internet: [URL: <http://www.bbc.com/news/technology-35259579>].

* cited by examiner

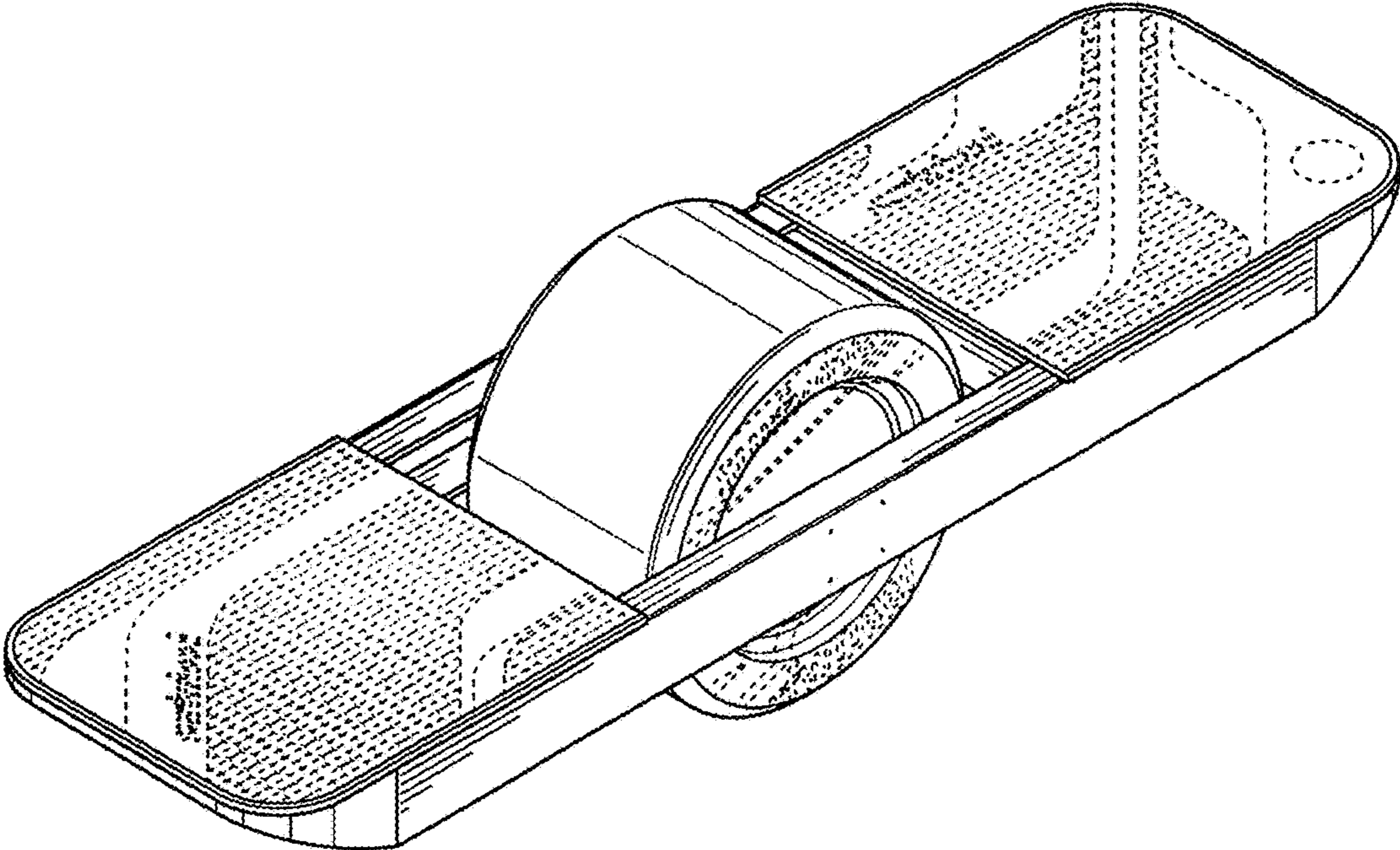


FIG. 1

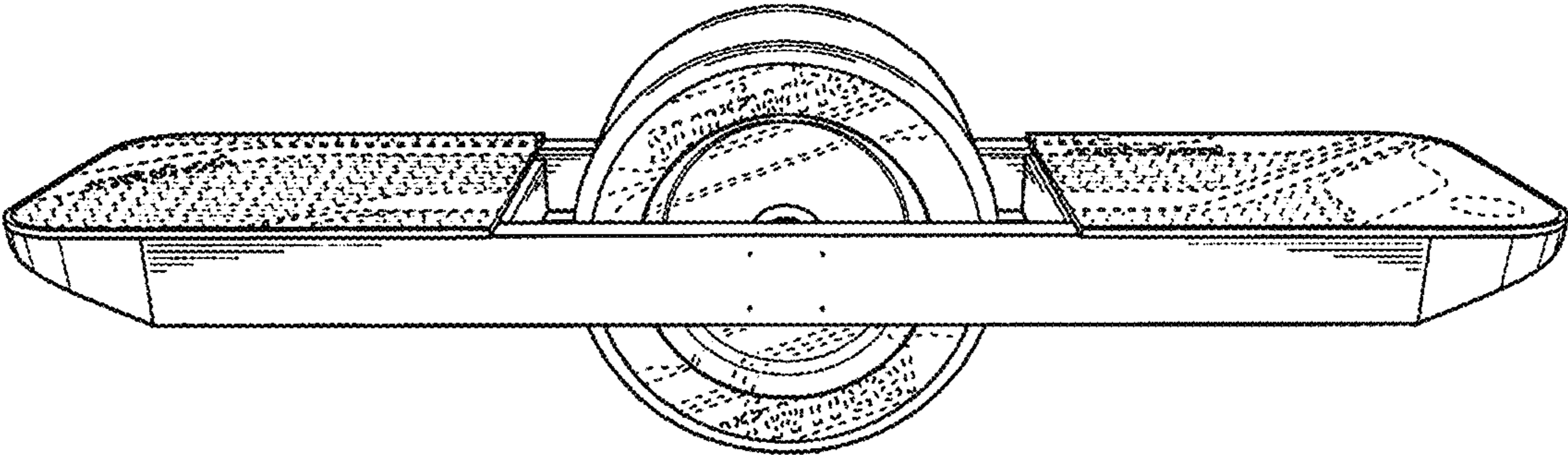


FIG. 2

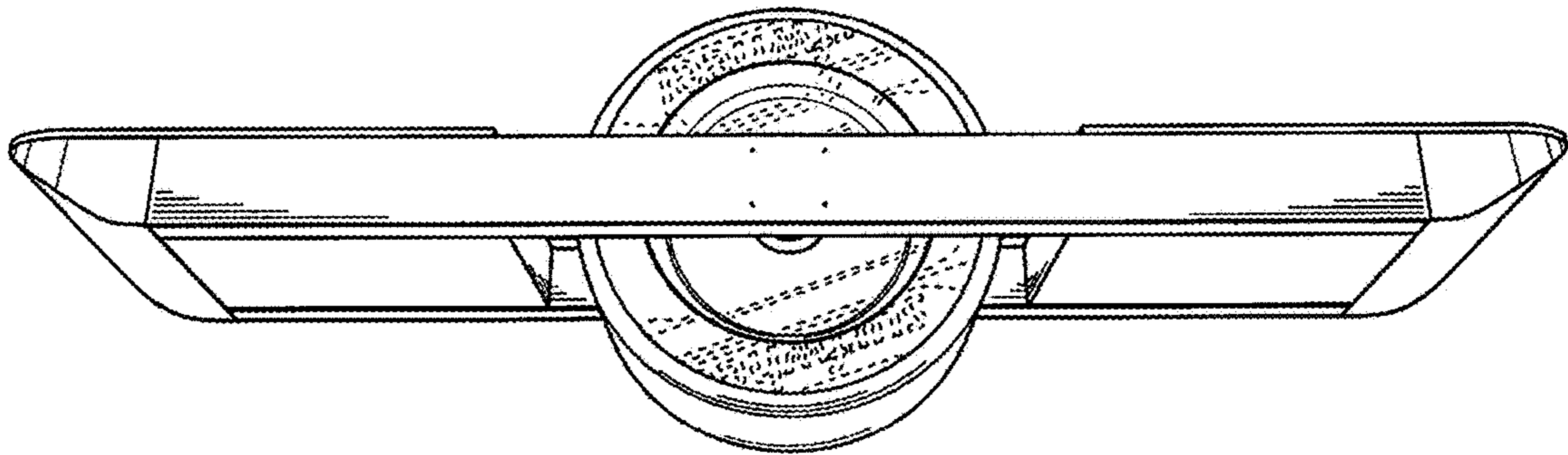


FIG. 3

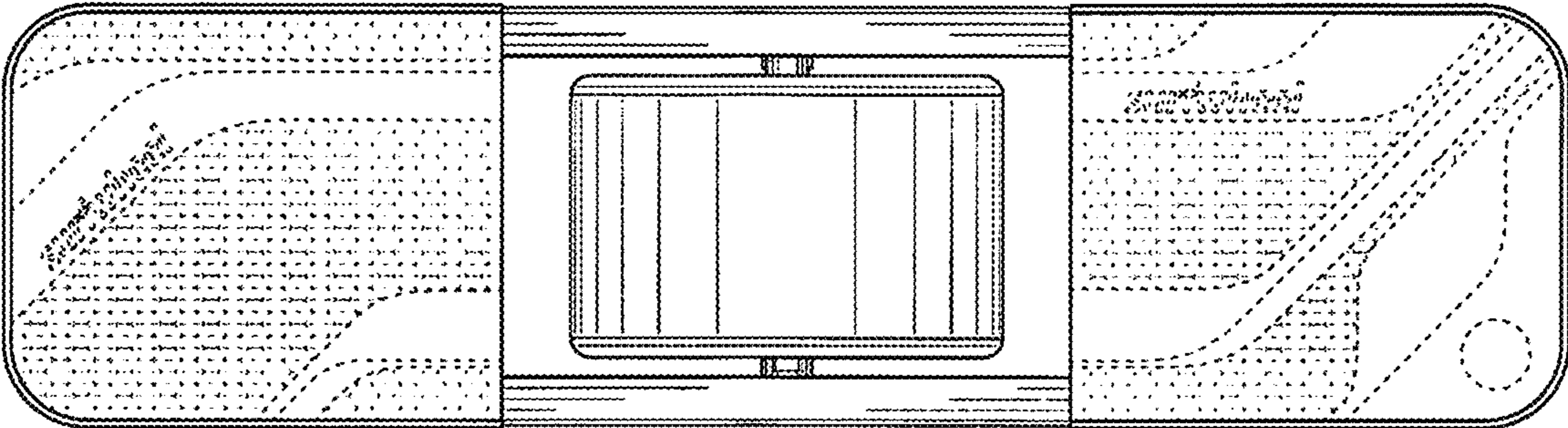


FIG. 4

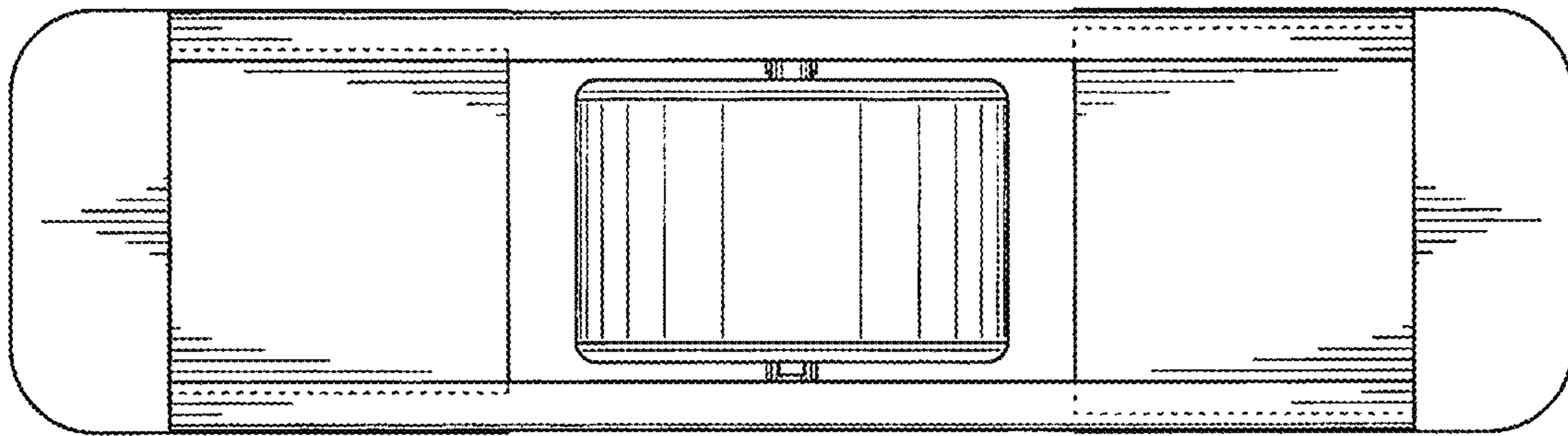


FIG. 5

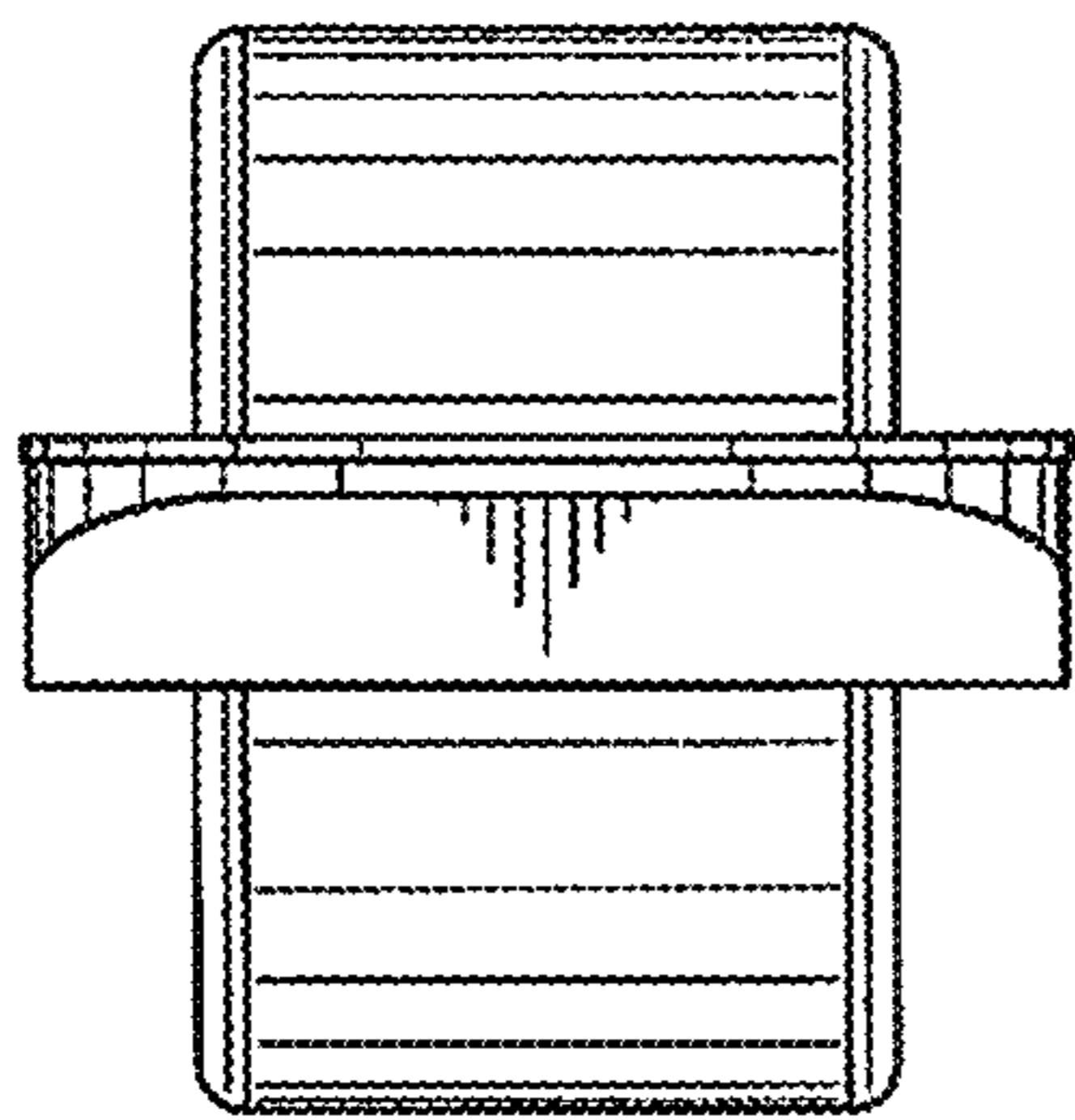


FIG. 6

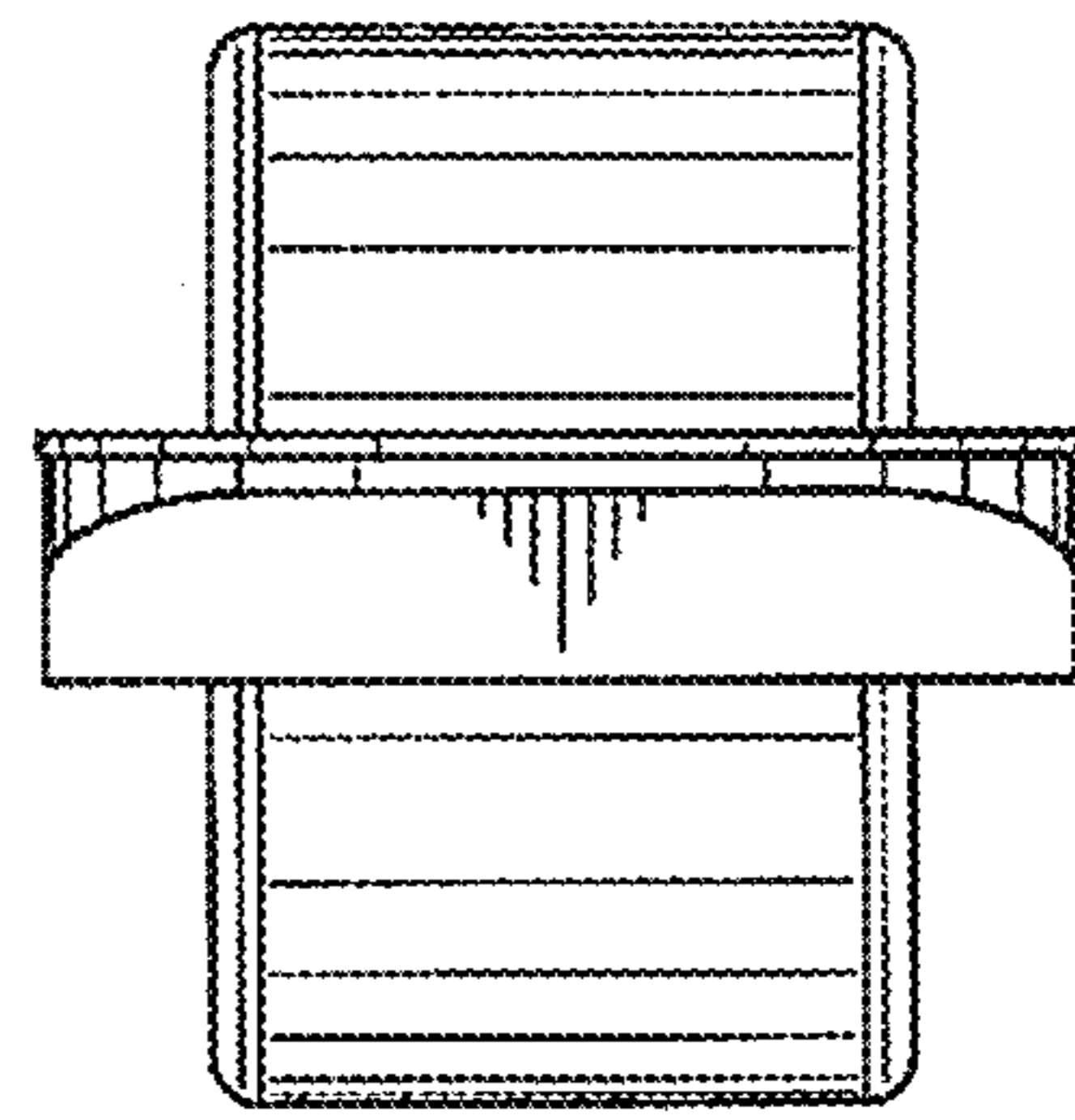


FIG. 7

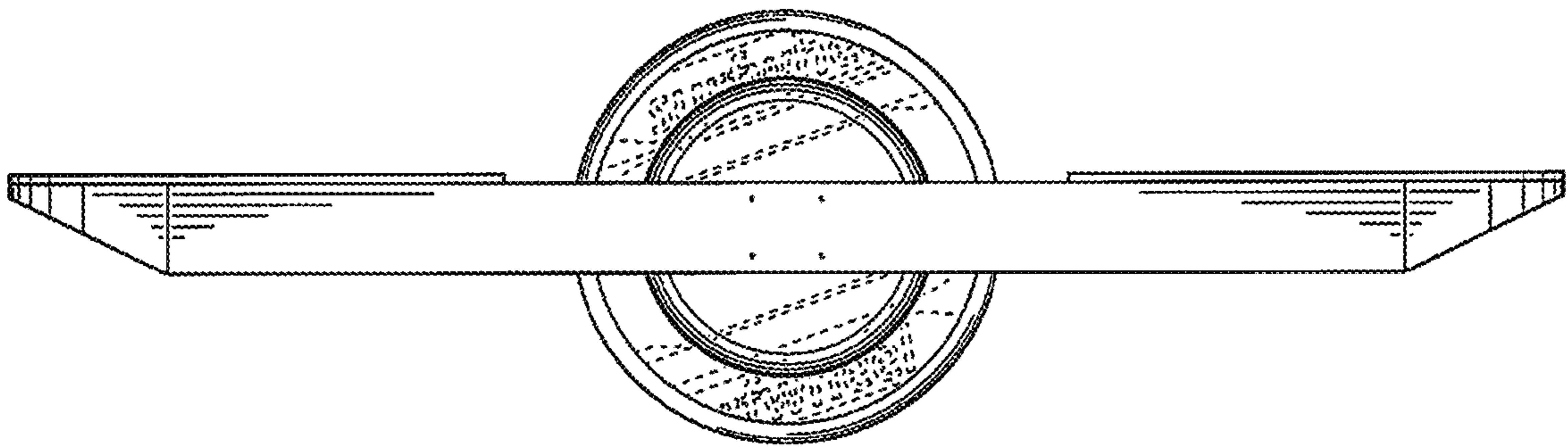


FIG. 8

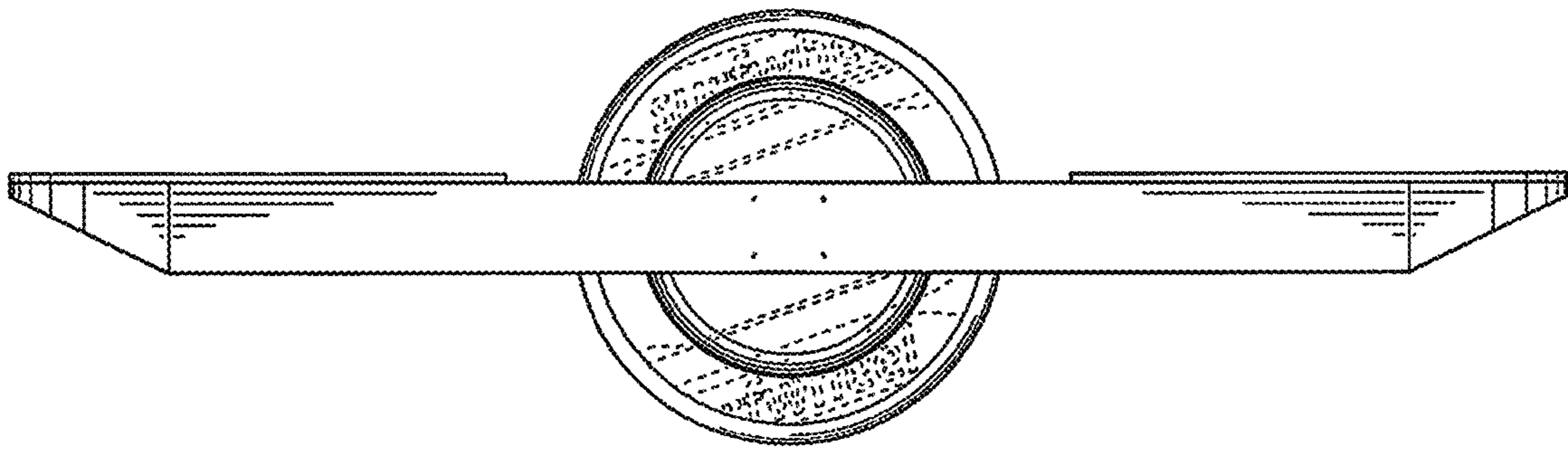


FIG. 9

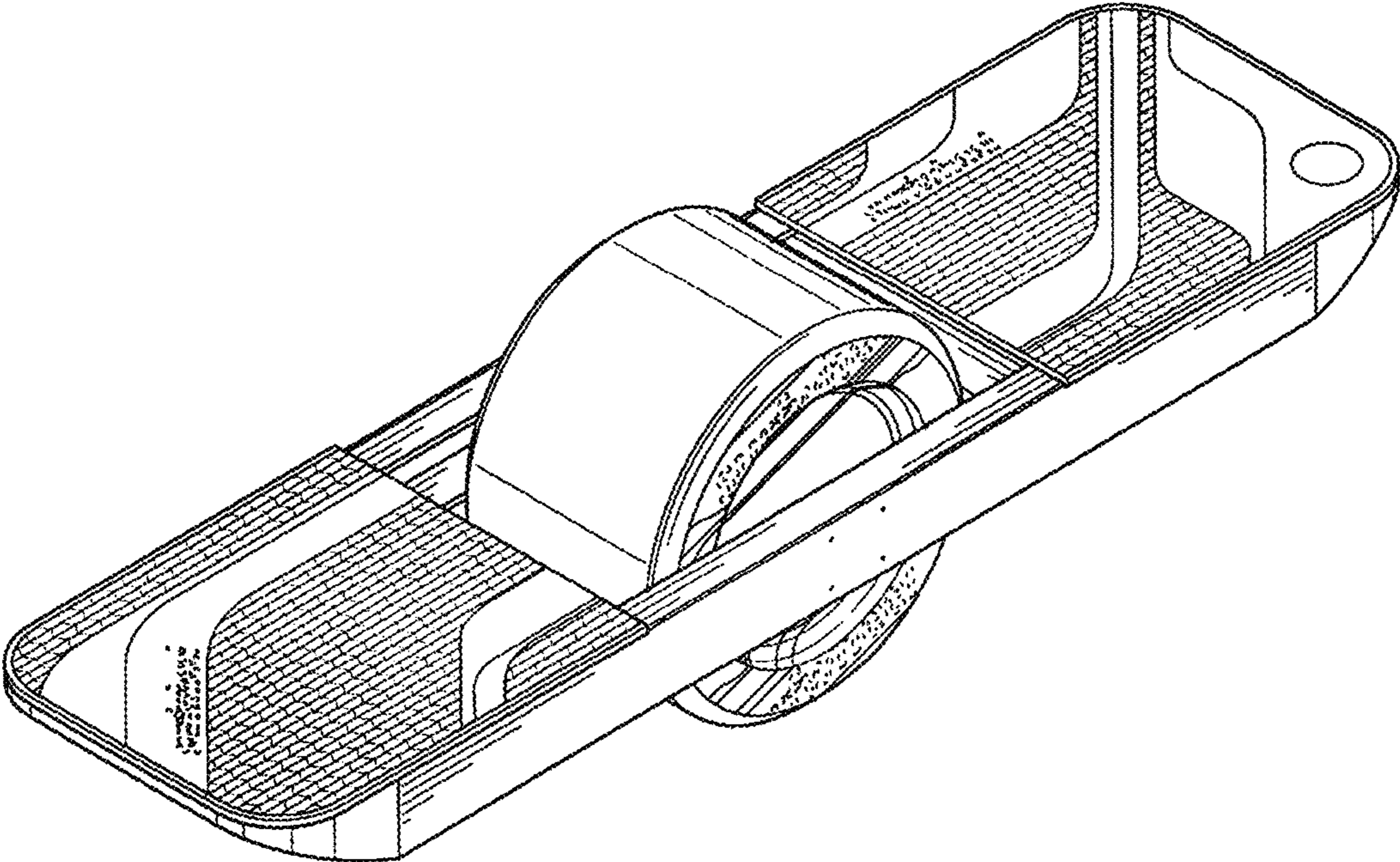


FIG. 10

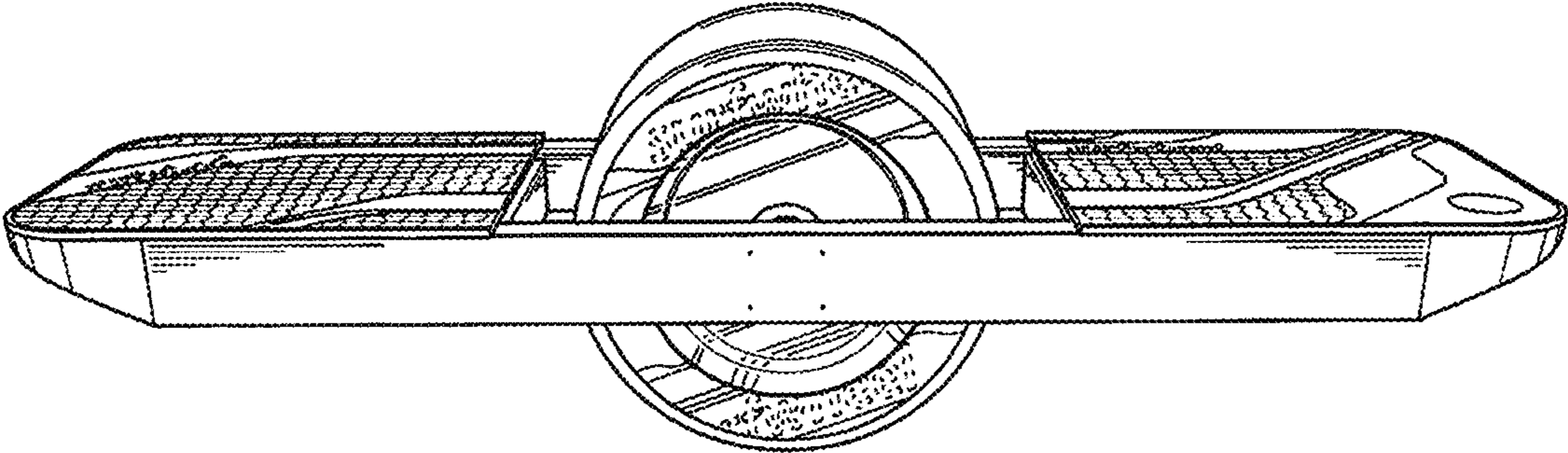


FIG. 11

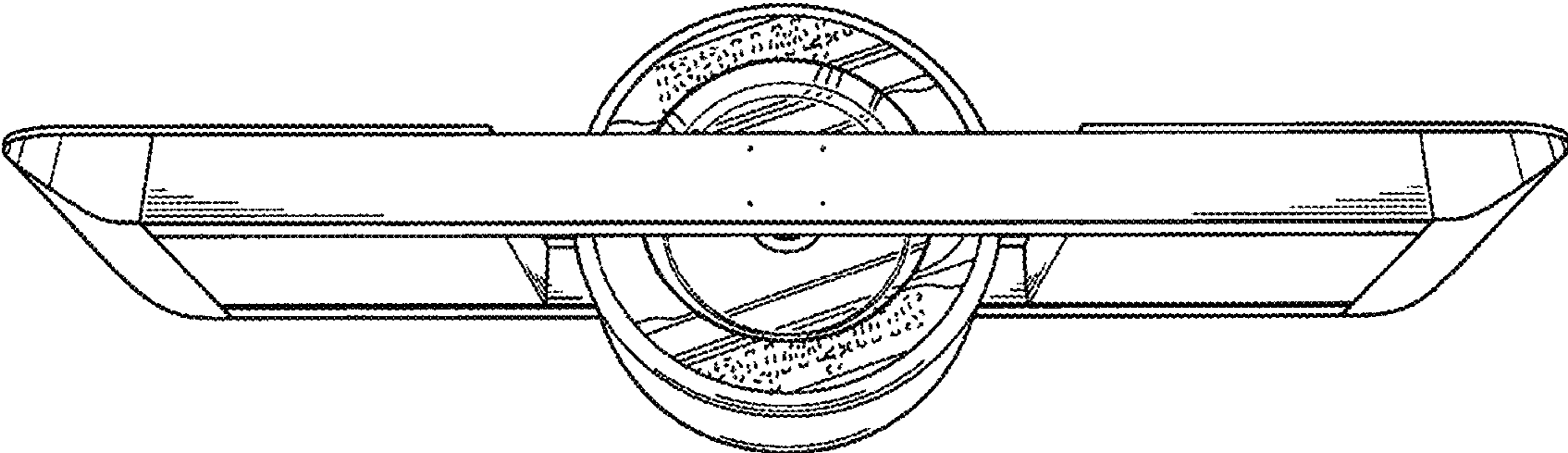


FIG. 12

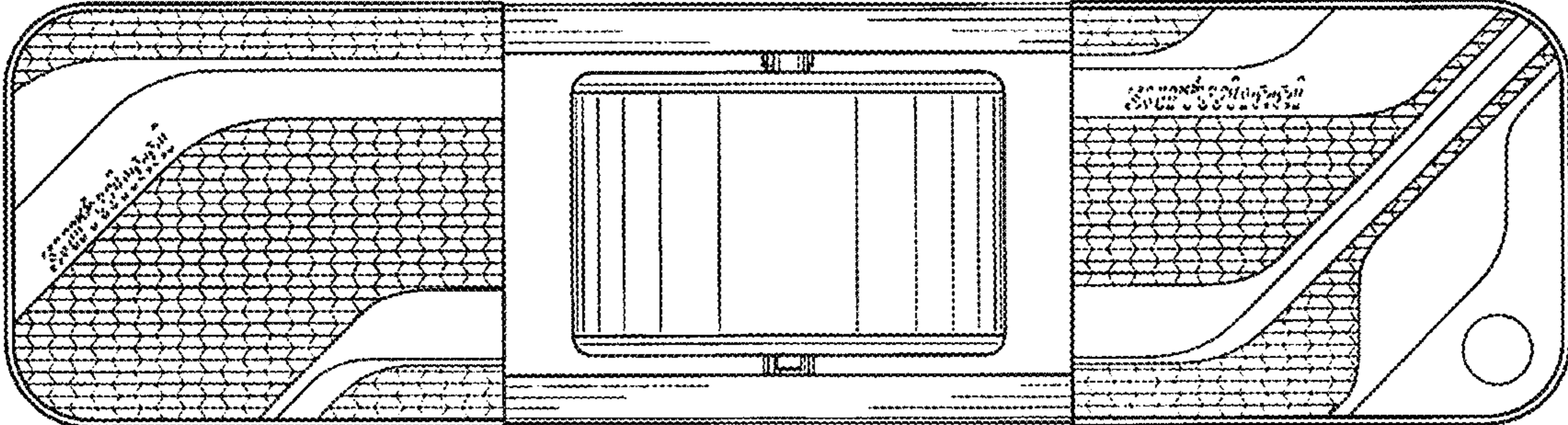


FIG. 13

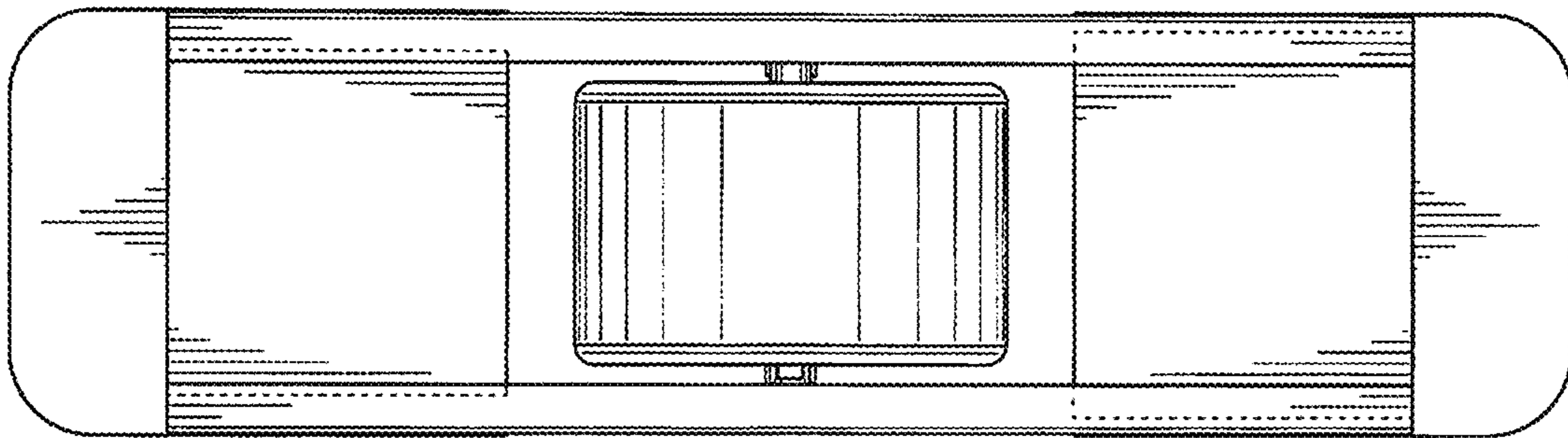


FIG. 14

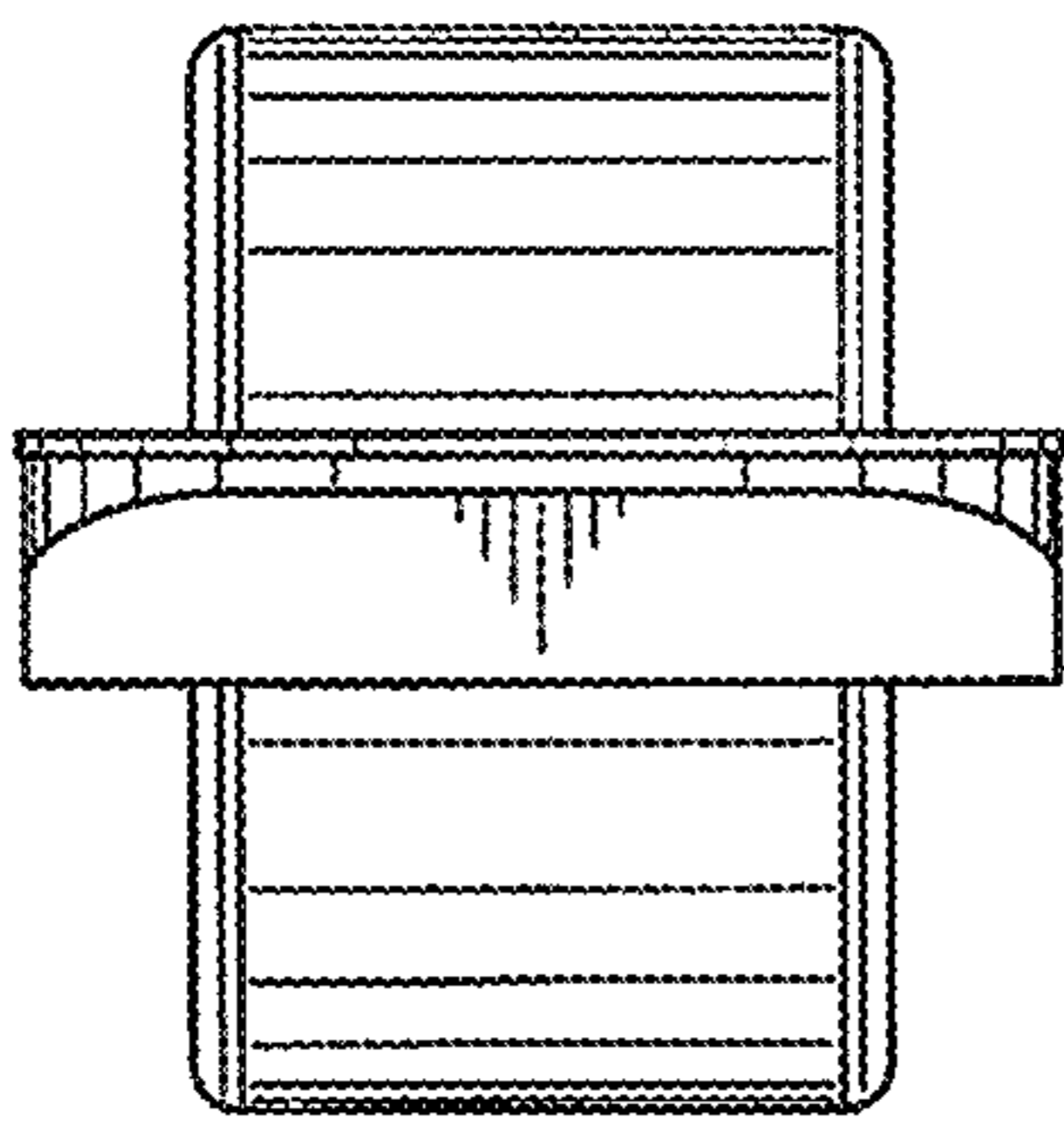


FIG. 15

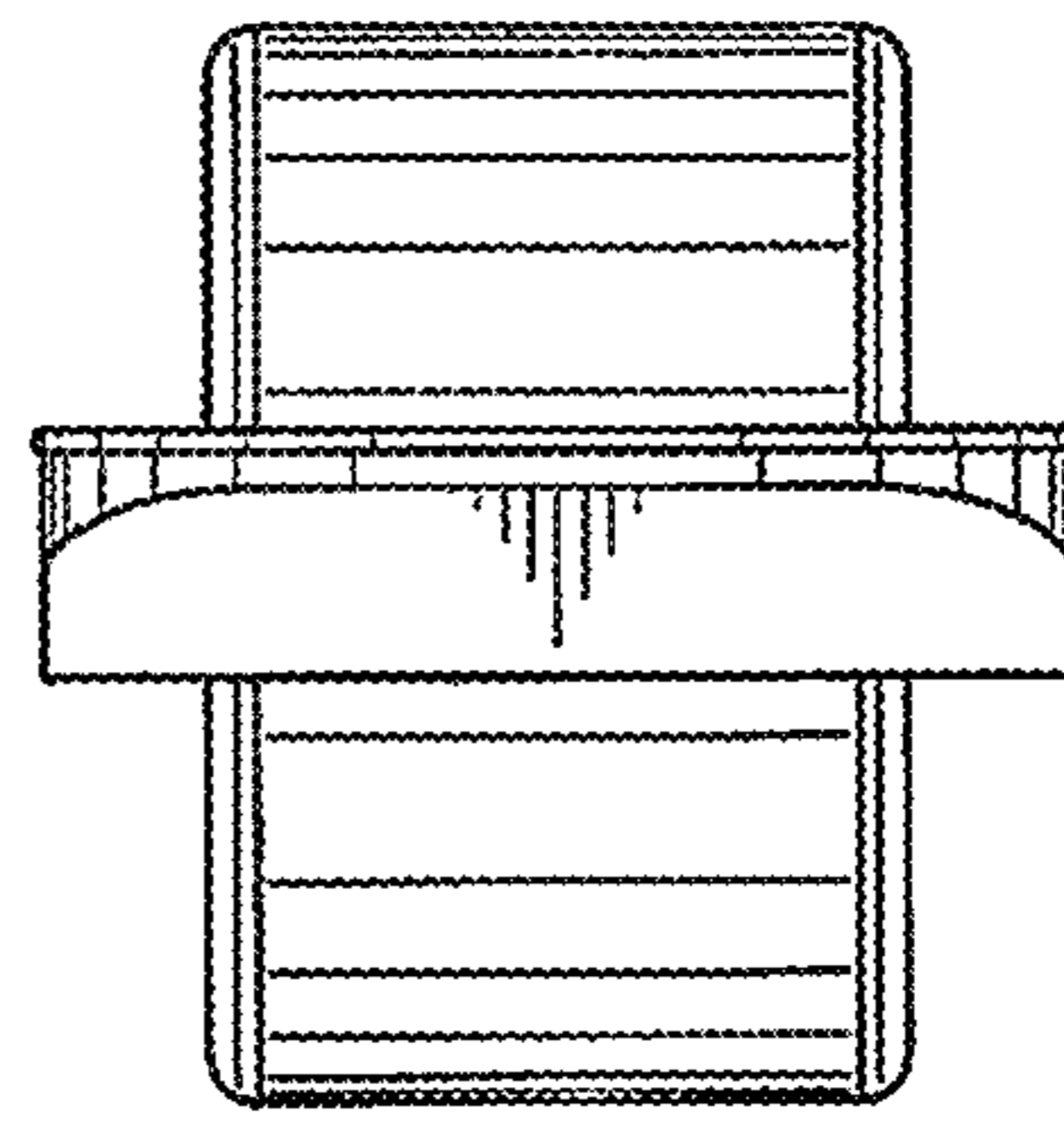


FIG. 16

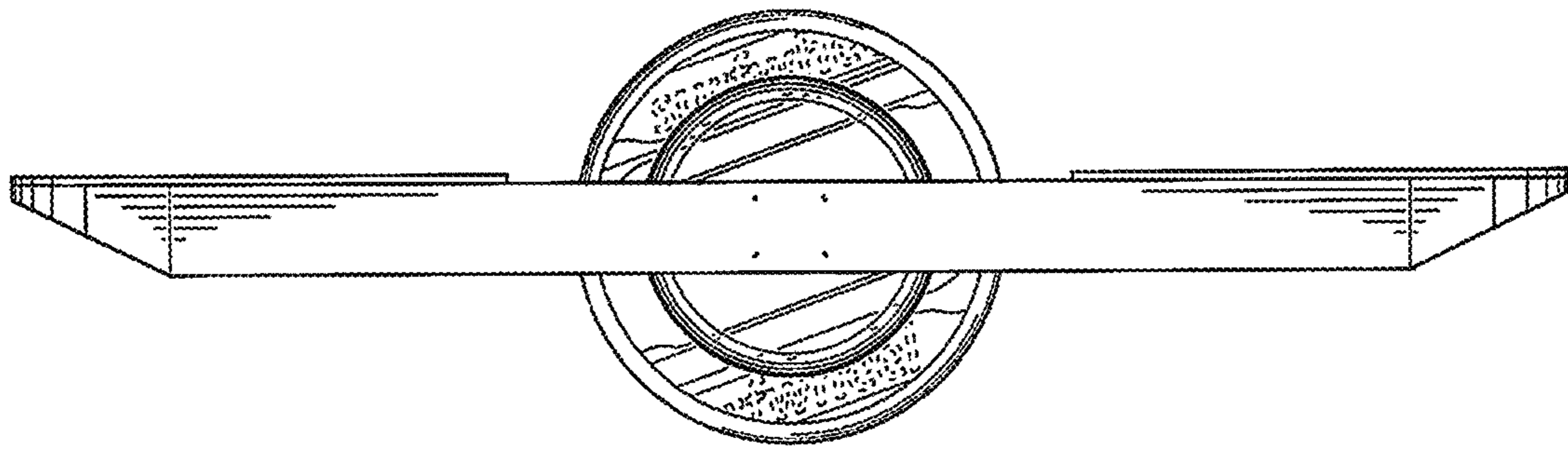


FIG. 17

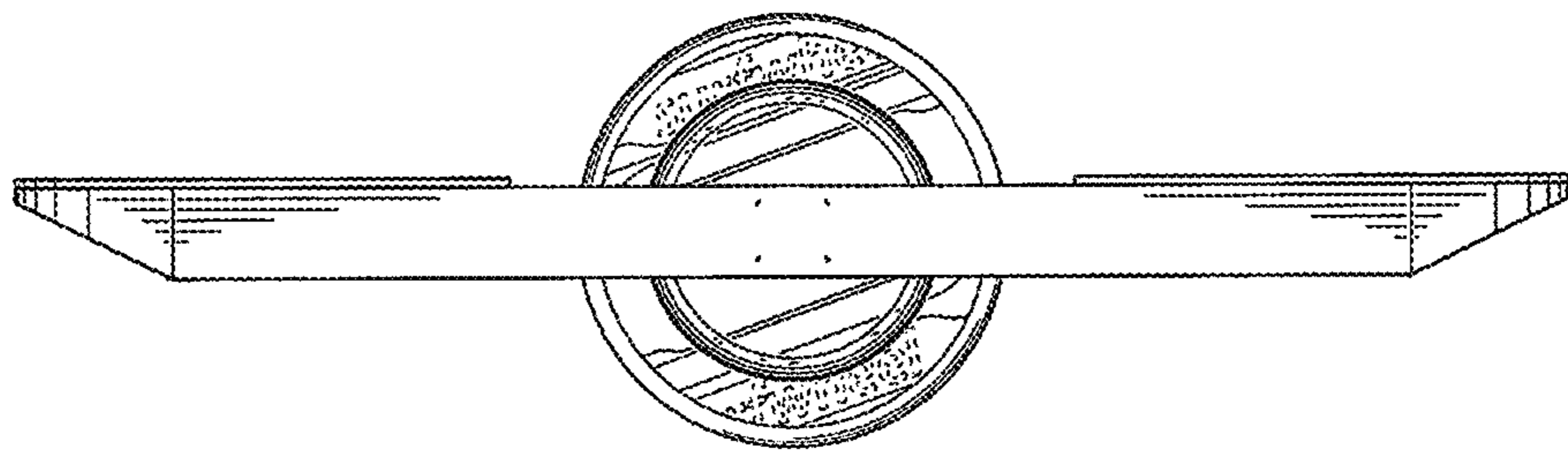


FIG. 18