



US00D797873S

(12) **United States Design Patent**
Serrano et al.

(10) **Patent No.:** **US D797,873 S**

(45) **Date of Patent:** **** Sep. 19, 2017**

(54) **GOLF CLUB HEAD**

(71) Applicant: **KARSTEN MANUFACTURING CORPORATION**, Phoenix, AZ (US)

(72) Inventors: **Anthony Serrano**, Anthem, AZ (US);
Xiaojian Chen, Phoenix, AZ (US);
Calvin Wang, Chandler, AZ (US);
David Higdon, Phoenix, AZ (US)

(73) Assignee: **Karsten Manufacturing Corporation**, Phoenix, AZ (US)

(**) Term: **15 Years**

(21) Appl. No.: **29/564,642**

(22) Filed: **May 13, 2016**

(51) **LOC (10) Cl.** **21-02**

(52) **U.S. Cl.**
USPC **D21/743**

(58) **Field of Classification Search**
USPC D21/736-746, 759
CPC A63B 53/00; A63B 53/007; A63B 53/065;
A63B 53/0487; A63B 53/04
See application file for complete search history.

(56) **References Cited**

U.S. PATENT DOCUMENTS

3,884,477	A	5/1975	Bianco	
4,030,766	A	6/1977	Derr	
D316,129	S	4/1991	Bryson	
D326,303	S *	5/1992	Cameron	D21/743
5,275,412	A	1/1994	Innes	
D344,564	S *	2/1994	Oakleaf	D21/739
D356,844	S *	3/1995	Solheim	D21/742
D380,245	S *	6/1997	Meyer	D21/743
D420,079	S	2/2000	Frazetta	
6,159,108	A	12/2000	De La Pena	
D445,860	S *	7/2001	Mills	D21/736
D445,861	S *	7/2001	Mills	D21/736

D445,865	S *	7/2001	Mills	D21/759
D447,197	S *	8/2001	Mills	D21/736
D455,805	S *	4/2002	Mills	D21/736
6,379,259	B1	4/2002	Opie	
D474,253	S *	5/2003	Mills	D21/736
D474,520	S *	5/2003	Mills	D21/744
D488,526	S	4/2004	Souza	
D500,109	S	12/2004	Solheim	
D500,110	S	12/2004	Solheim	

(Continued)

Primary Examiner — Mitchell Siegel

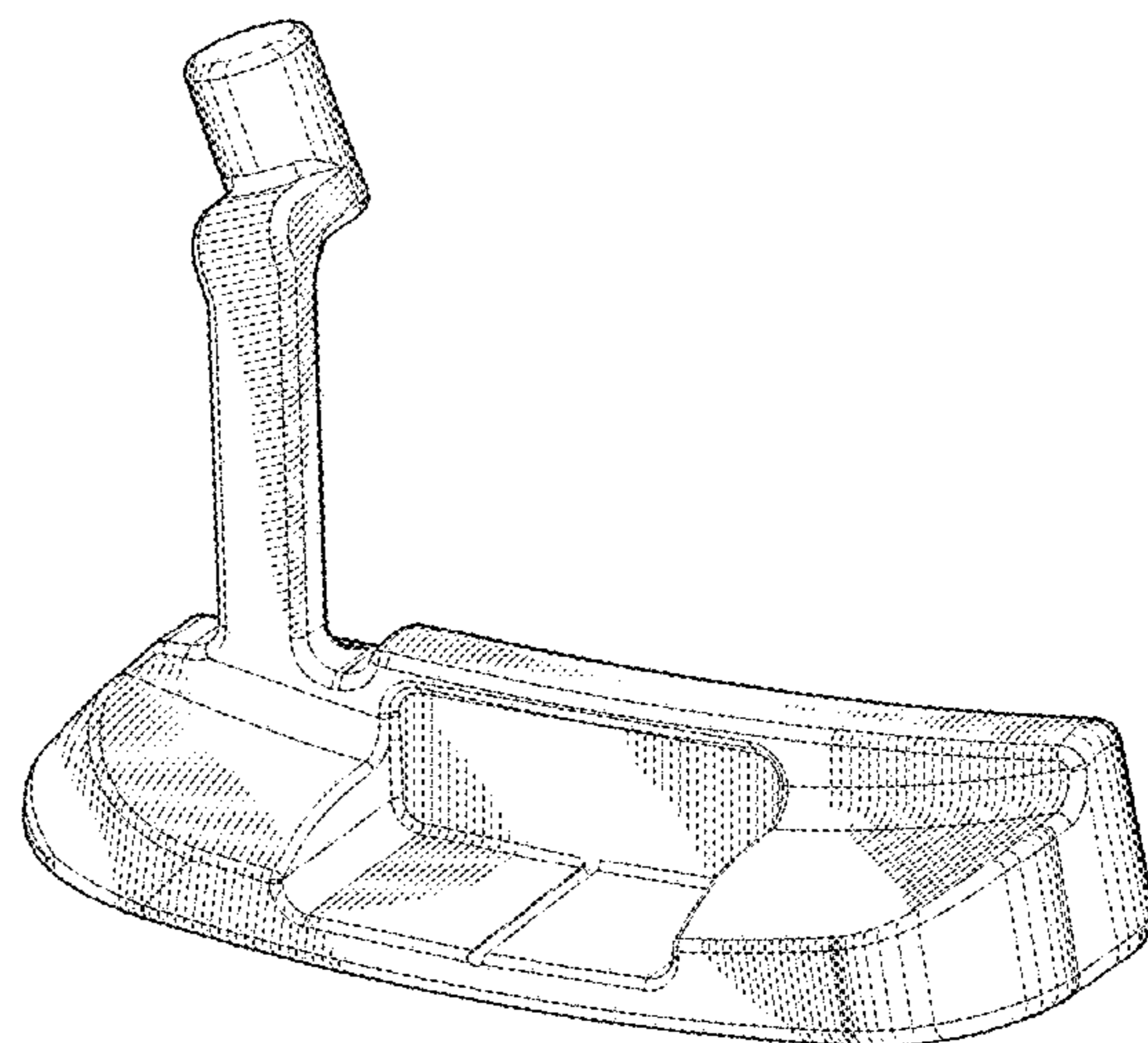
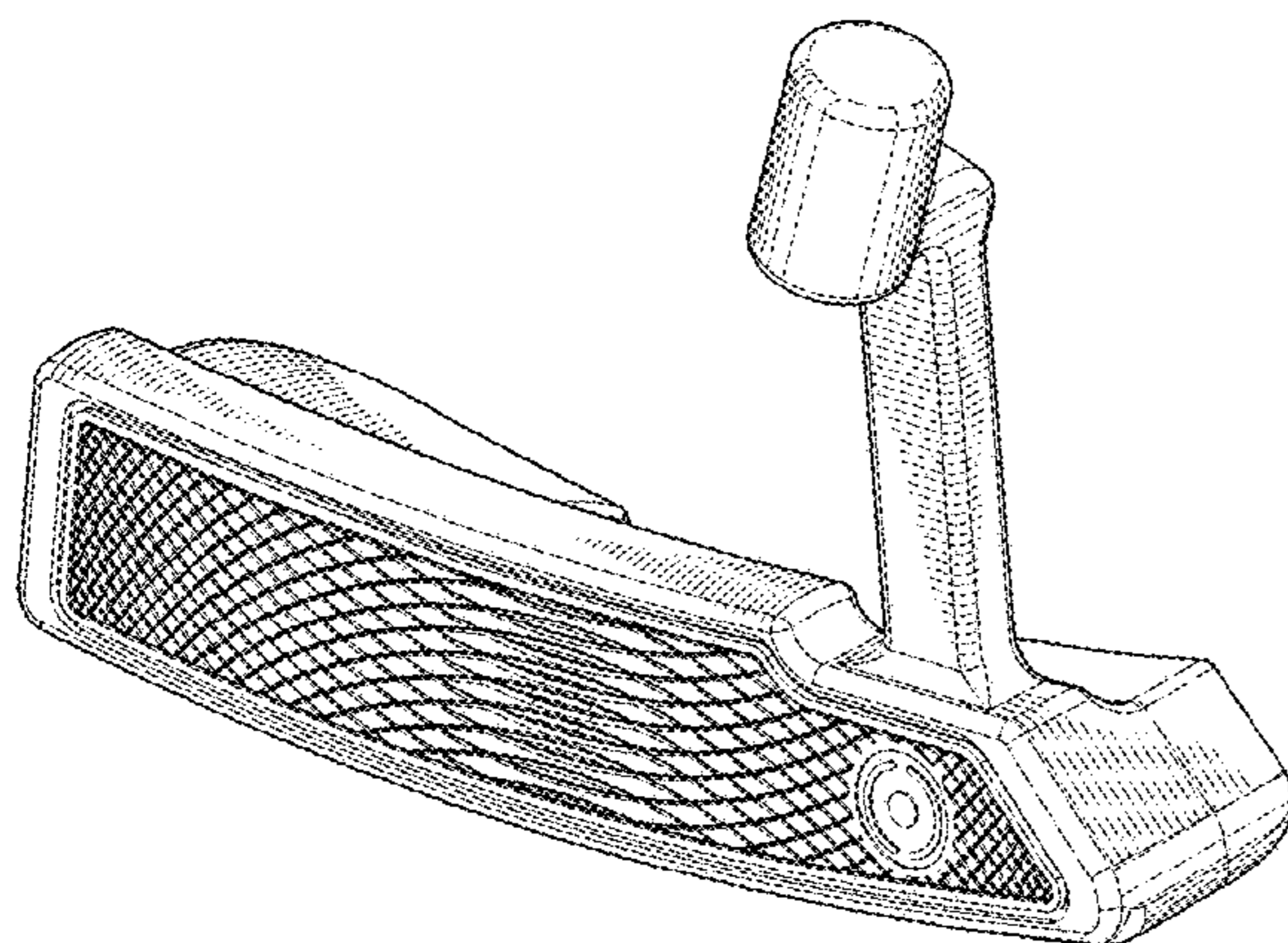
(57) **CLAIM**

The ornamental design for a golf club head, as shown and described.

DESCRIPTION

FIG. 1 is a front perspective view of a golf club head;
 FIG. 2 is a rear perspective view of the golf club head of FIG. 1;
 FIG. 3 is a front view of the golf club head of FIG. 1;
 FIG. 4 is a rear view of the golf club head of FIG. 1;
 FIG. 5 is a top view of the golf club head of FIG. 1;
 FIG. 6 is a bottom view of the golf club head of FIG. 1;
 FIG. 7 is a heel view of the golf club head of FIG. 1;
 FIG. 8 is a toe view of the golf club head of FIG. 1;
 FIG. 9 is a front perspective view of a second embodiment of the golf club head;
 FIG. 10 is a rear perspective view of the golf club head of FIG. 9;
 FIG. 11 is a front view of the golf club head of FIG. 9;
 FIG. 12 is a rear view of the golf club head of FIG. 9;
 FIG. 13 is a top view of the golf club head of FIG. 9;
 FIG. 14 is a bottom view of the golf club head of FIG. 9;
 FIG. 15 is a heel view of the golf club head of FIG. 9; and,
 FIG. 16 is a toe view of the golf club head of FIG. 9.
 The broken lines shown in one or more of the figures are for illustrative purposes only and form no part of the claimed design.

1 Claim, 8 Drawing Sheets



(56)

References Cited

U.S. PATENT DOCUMENTS

6,837,801 B1	1/2005	Souza	D595,372 S	6/2009	Rollinson
6,878,071 B1	4/2005	Schwieger et al.	D600,760 S	9/2009	Serrano
6,893,355 B2	5/2005	Souza	D600,761 S	9/2009	Solheim
6,902,496 B2	6/2005	Solheim	D600,762 S	9/2009	Serrano
D507,612 S	7/2005	Souza	7,601,076 B2	10/2009	Rollinson
6,926,615 B1	8/2005	Souza	D607,950 S	1/2010	Souza
6,949,028 B1 *	9/2005	Hueber A63B 53/0487 473/242	D621,458 S	8/2010	Serrano
6,960,140 B2	11/2005	Solheim	D621,460 S	8/2010	Serrano
6,966,845 B2	11/2005	Solheim	D621,461 S	8/2010	Serrano
D520,584 S	5/2006	Karlsen	D621,462 S	8/2010	Serrano
D521,582 S	5/2006	Souza	D621,891 S	8/2010	Serrano
7,052,411 B2	5/2006	Solheim	D623,709 S	9/2010	Serrano
D522,598 S	6/2006	Solheim	7,803,066 B2	9/2010	Solheim
7,077,758 B2	7/2006	Rohrer	7,815,515 B1	10/2010	Hunt
7,086,957 B2	8/2006	Solheim	D638,891 S	5/2011	Nicolette
D527,777 S	9/2006	Solheim	D640,341 S	6/2011	Foster
D529,108 S	9/2006	Stites	7,959,520 B2	6/2011	Campadore et al.
D529,110 S *	9/2006	Hueber D21/746	D643,080 S	8/2011	Serrano
D532,847 S	11/2006	Rollinson	D643,485 S	8/2011	Nicolette
D533,243 S	12/2006	Fife, Jr.	D643,486 S	8/2011	Serrano
7,235,021 B2	6/2007	Solheim	D643,487 S	8/2011	Serrano
D548,295 S	8/2007	Jertson	8,100,779 B2	1/2012	Solheim
7,255,650 B2	8/2007	Bryant	D653,718 S	2/2012	Stokke
D552,197 S	10/2007	Wells	8,109,838 B2	2/2012	Solheim
D564,607 S	3/2008	Oldknow et al.	8,128,505 B2	3/2012	Tryner et al.
D565,137 S	3/2008	Oldknow	D664,617 S	7/2012	Serrano
7,371,185 B1	5/2008	Rohrer	D723,641 S	3/2015	Serrano
D581,473 S	11/2008	Thomas	2005/0170904 A1	8/2005	Smeeth
D583,003 S	12/2008	Solheim	2006/0094533 A1	5/2006	Warren
D587,325 S	2/2009	Solheim	2006/0166755 A1	7/2006	Brown
			2007/0191135 A1	8/2007	Nilsson
			2008/0096686 A1	4/2008	Bikhu
			2010/0227704 A1	9/2010	Souza
			2012/0115628 A1	5/2012	Woods

* cited by examiner

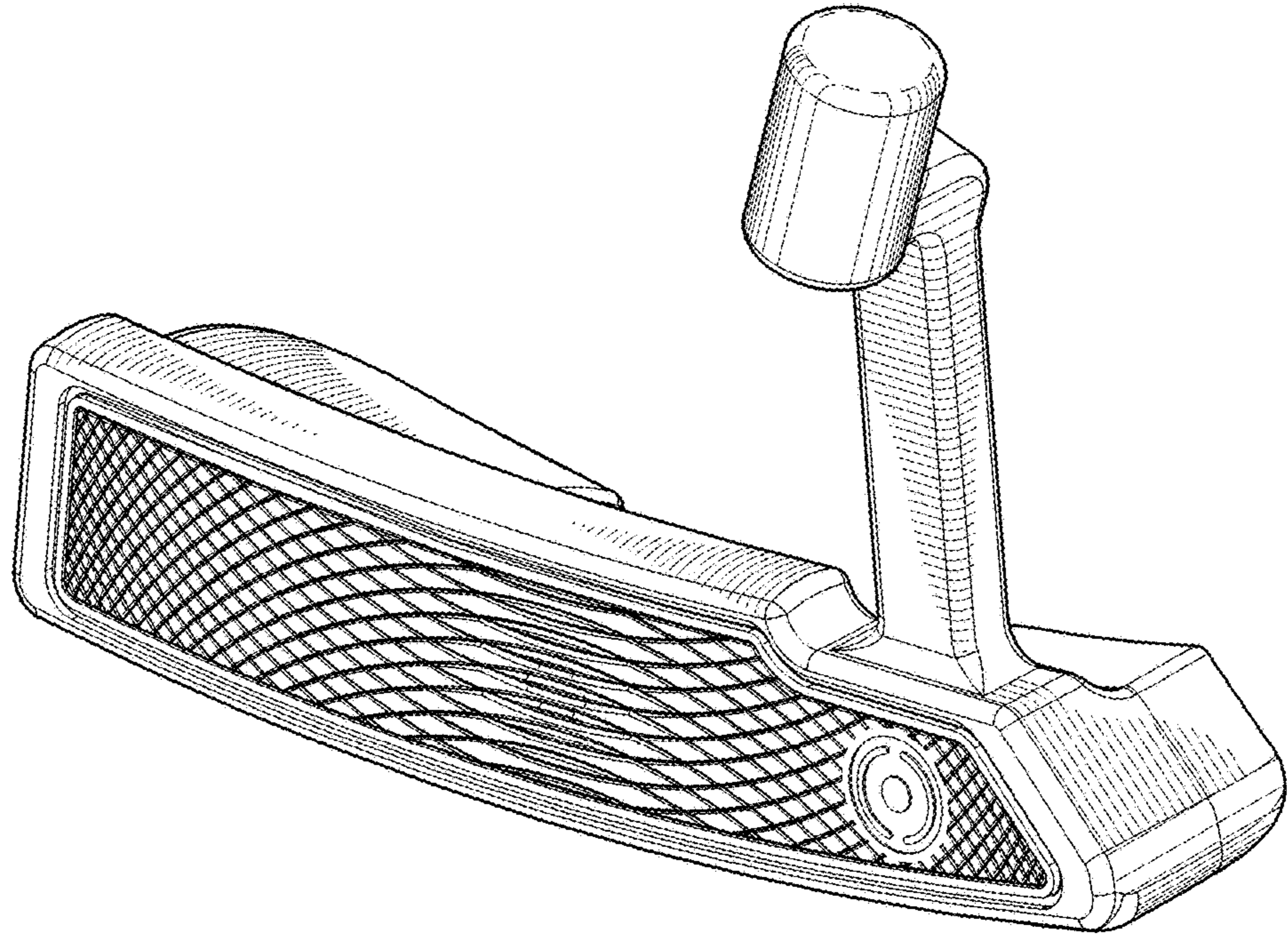


Fig. 1

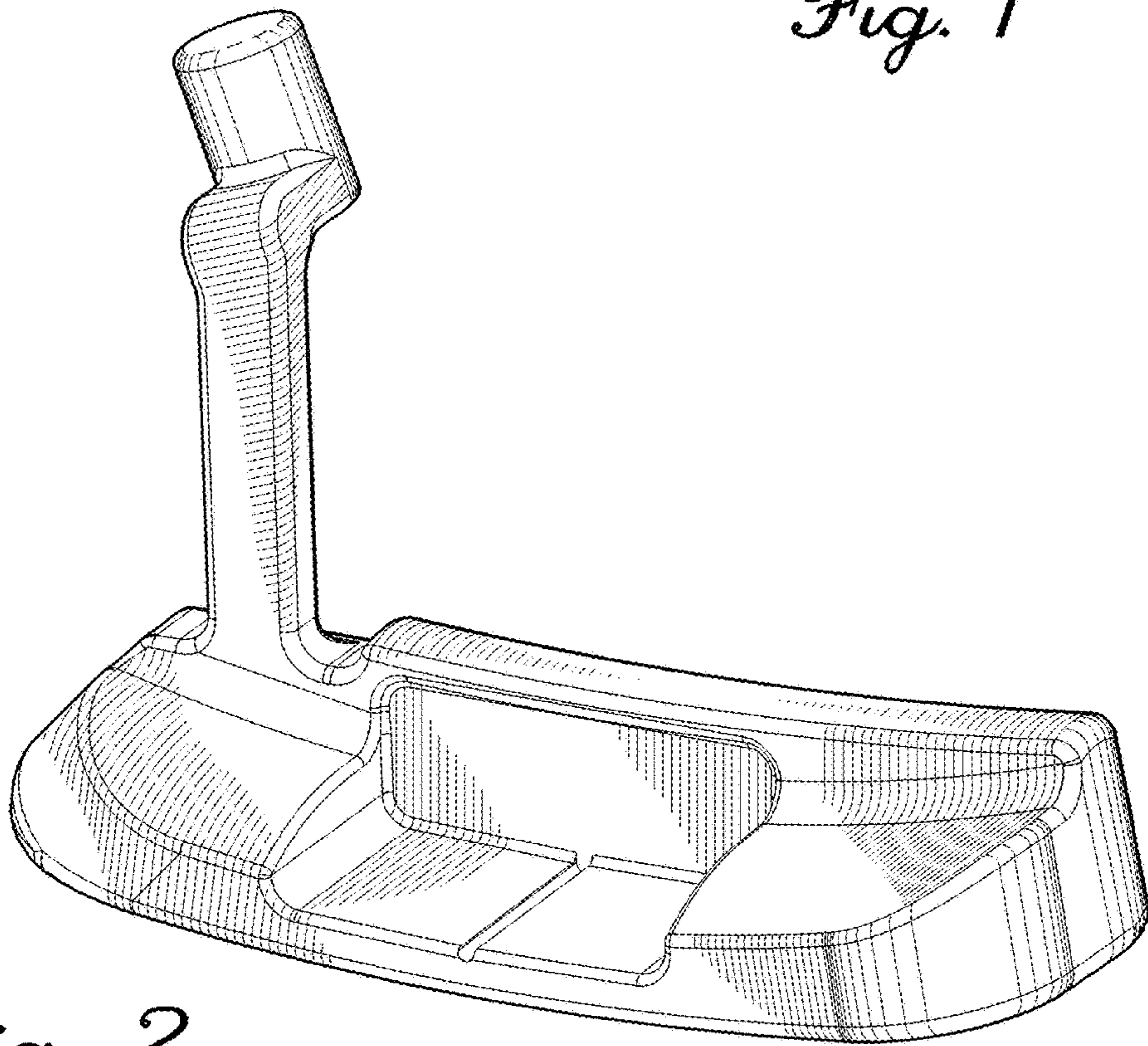


Fig. 2

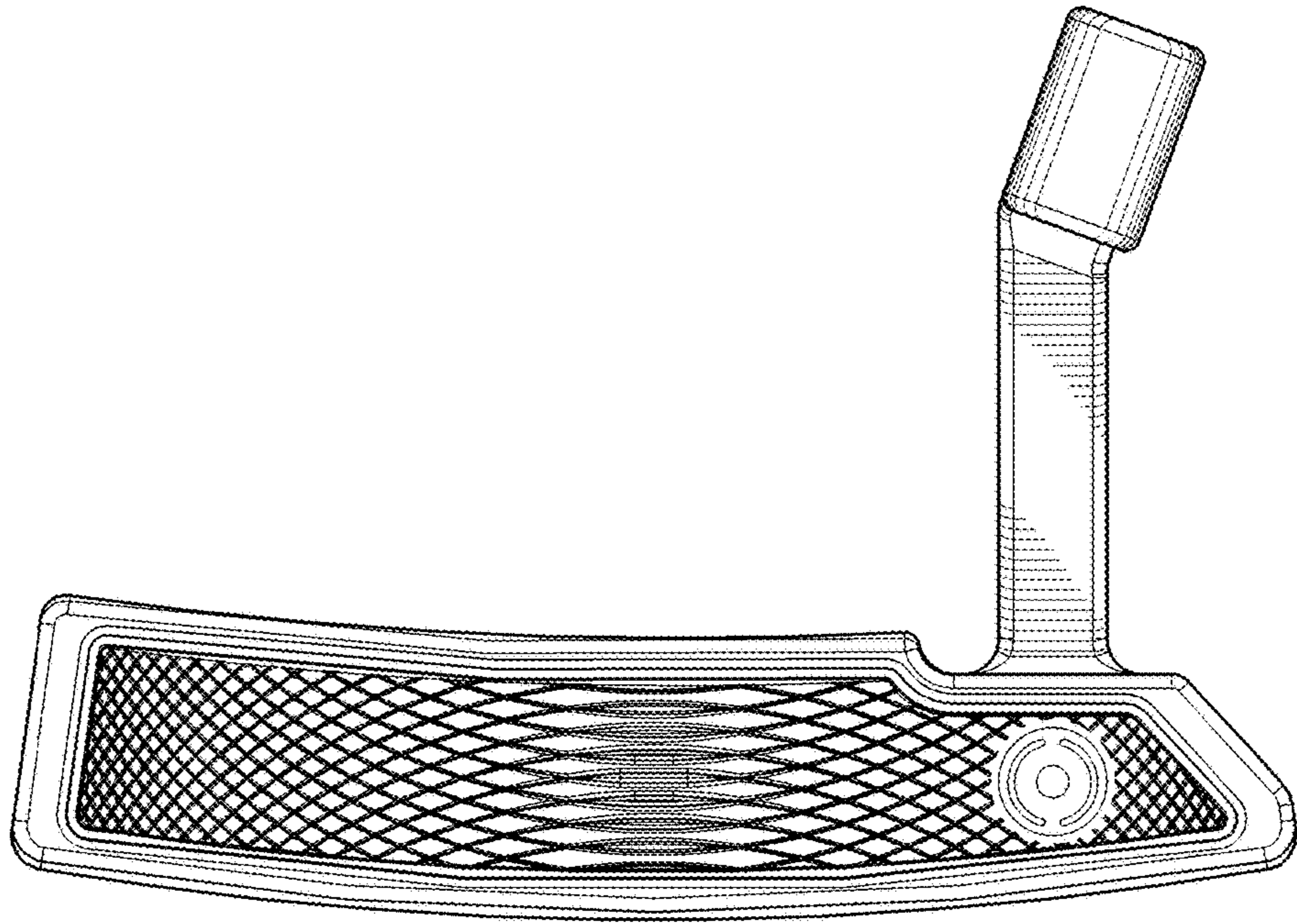


Fig. 3

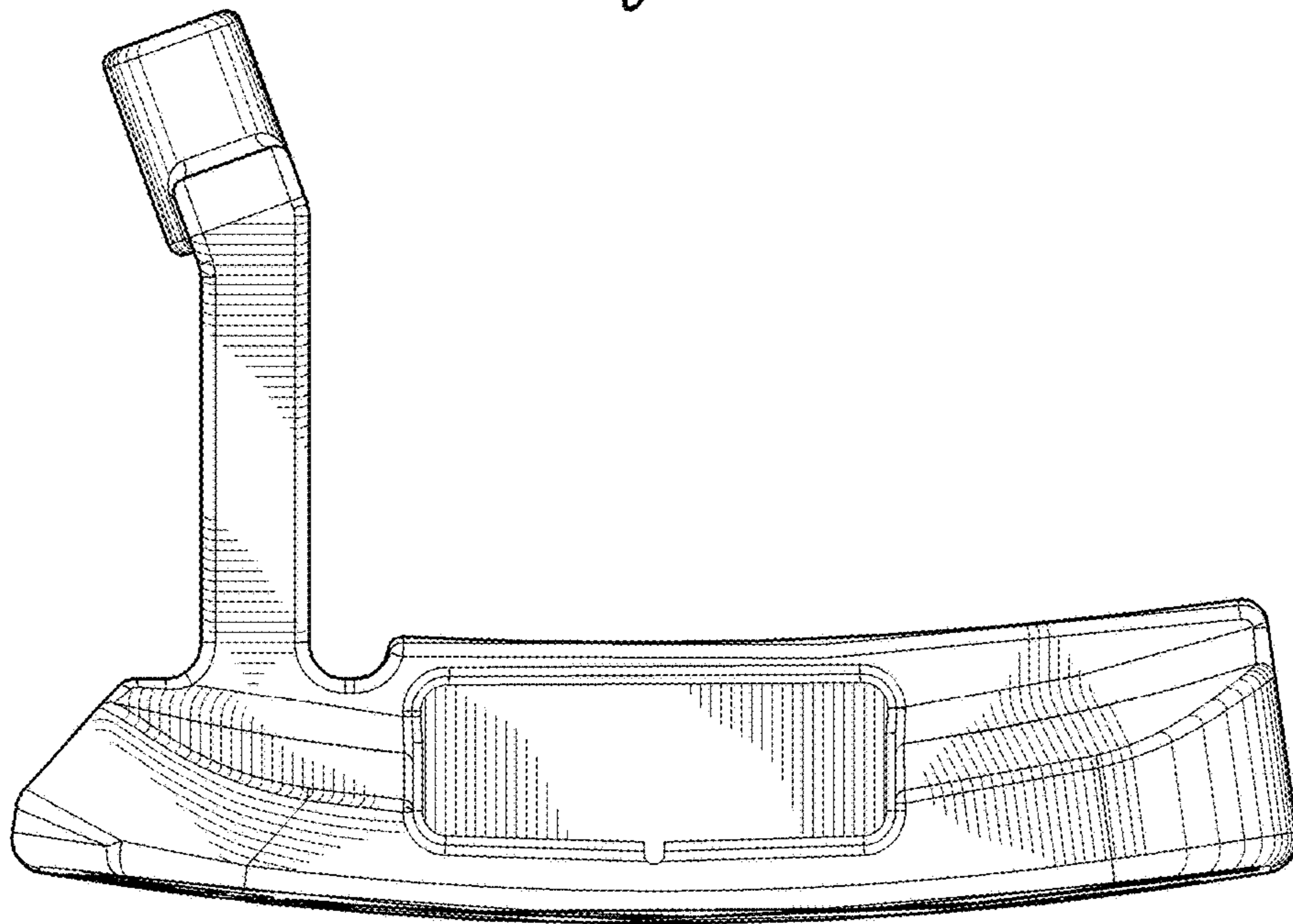


Fig. 4

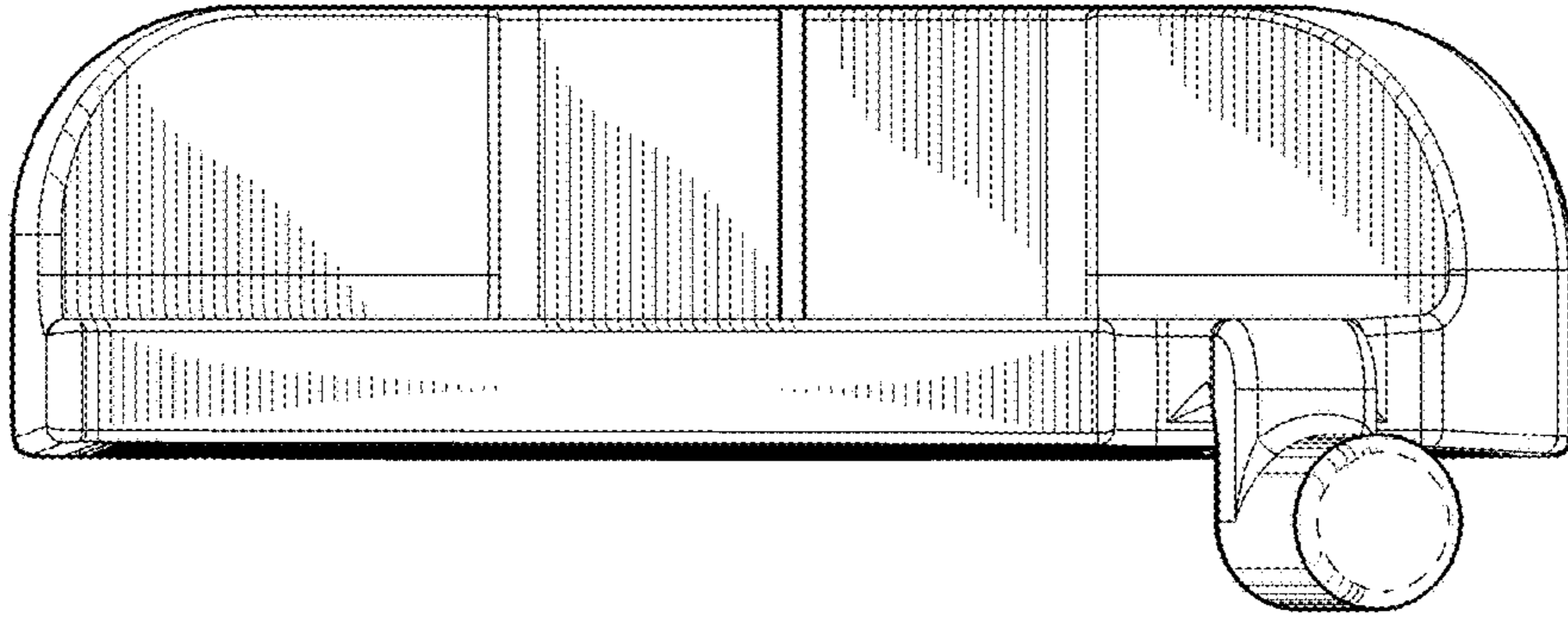


Fig. 5

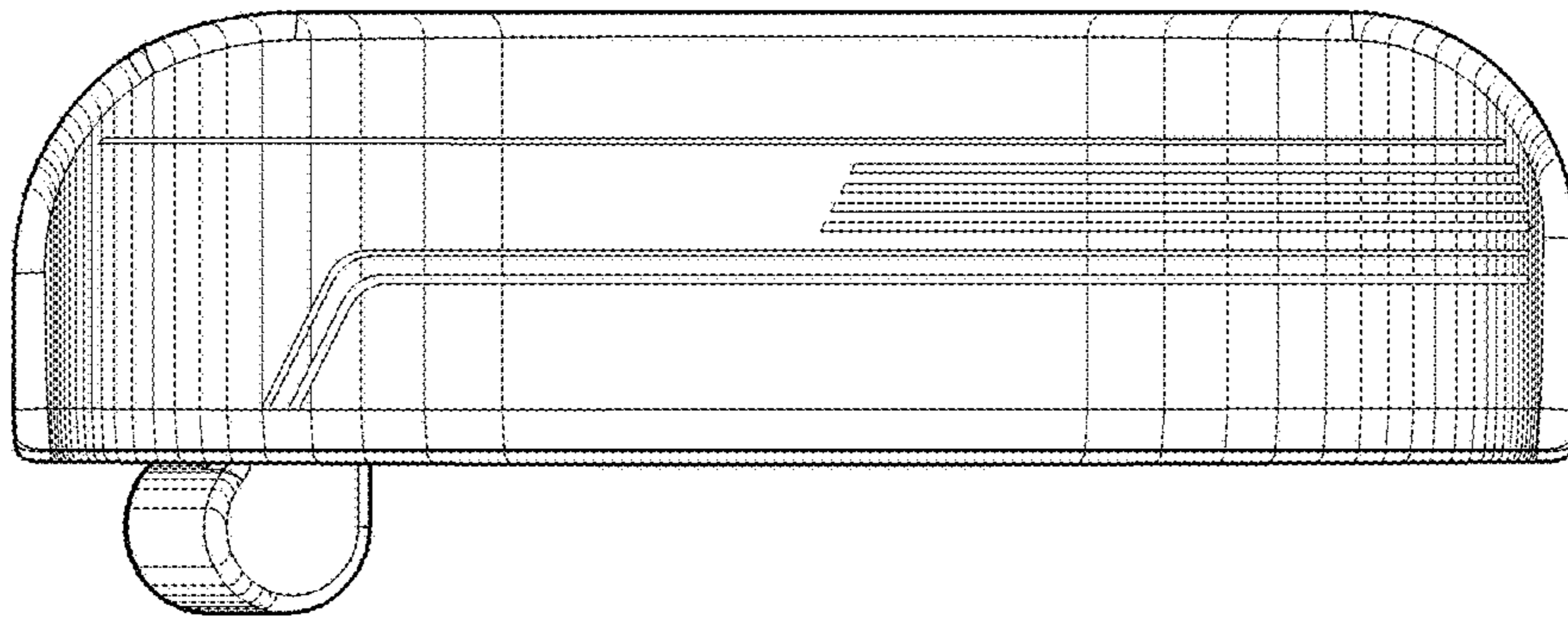


Fig. 6

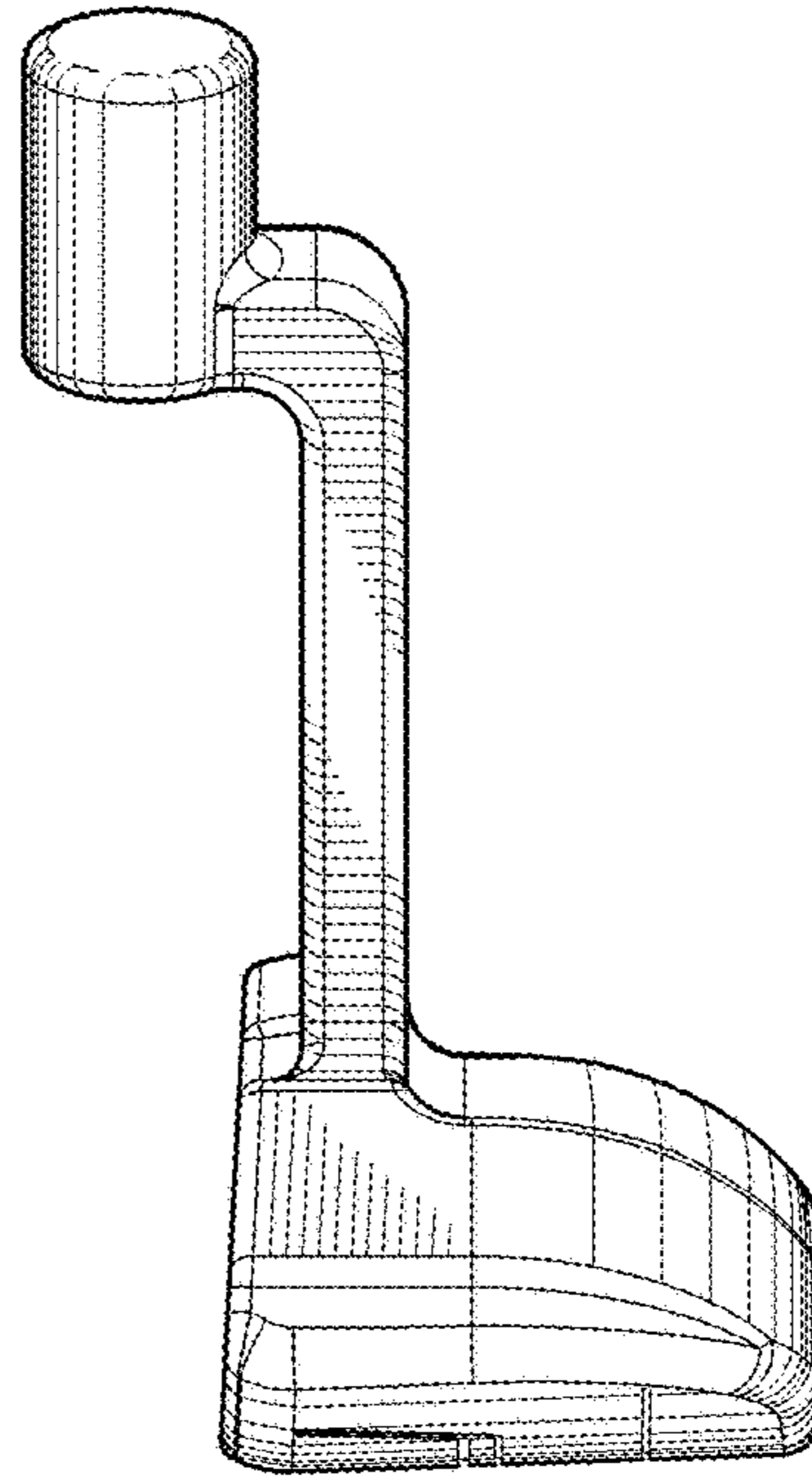


Fig. 7

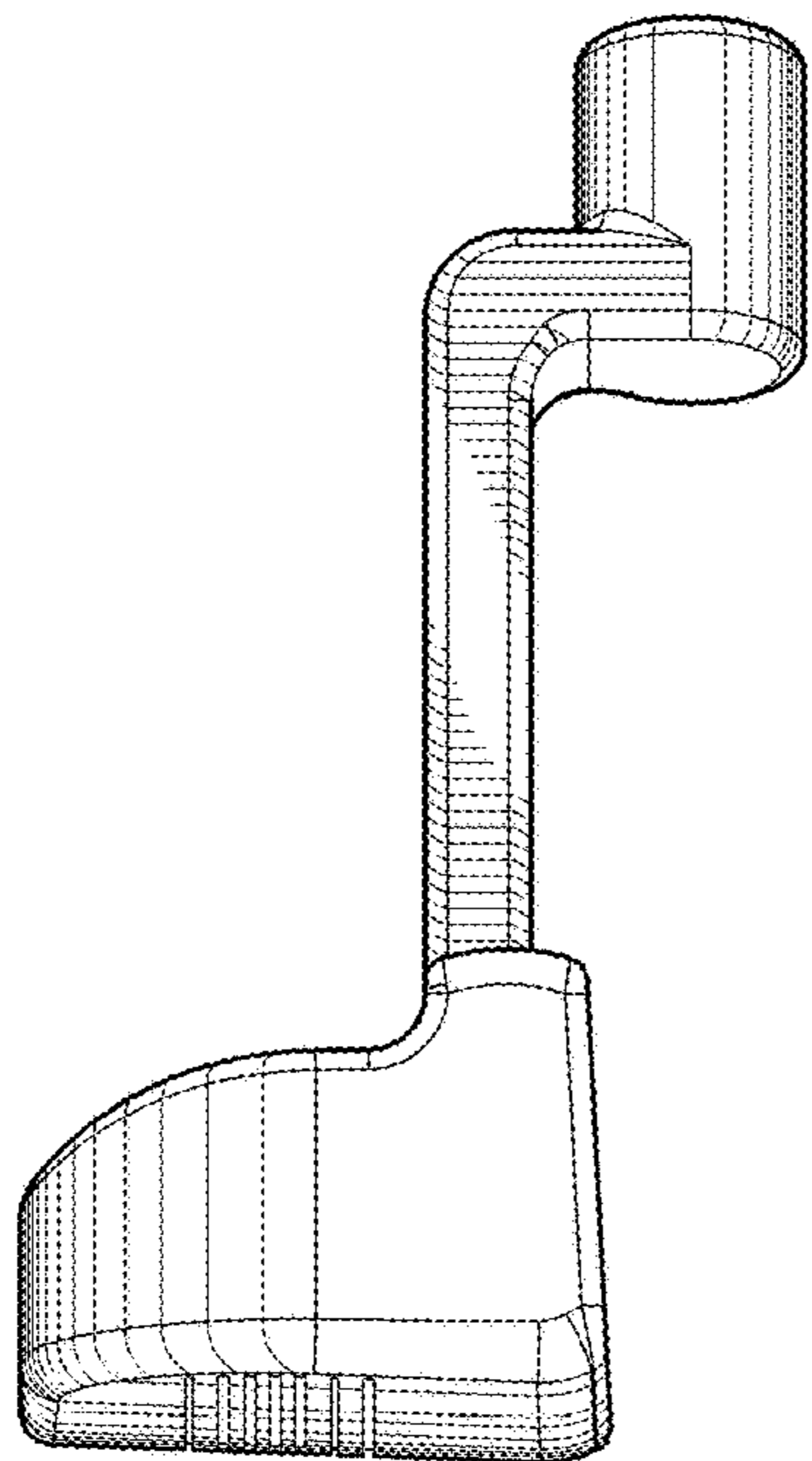


Fig. 8

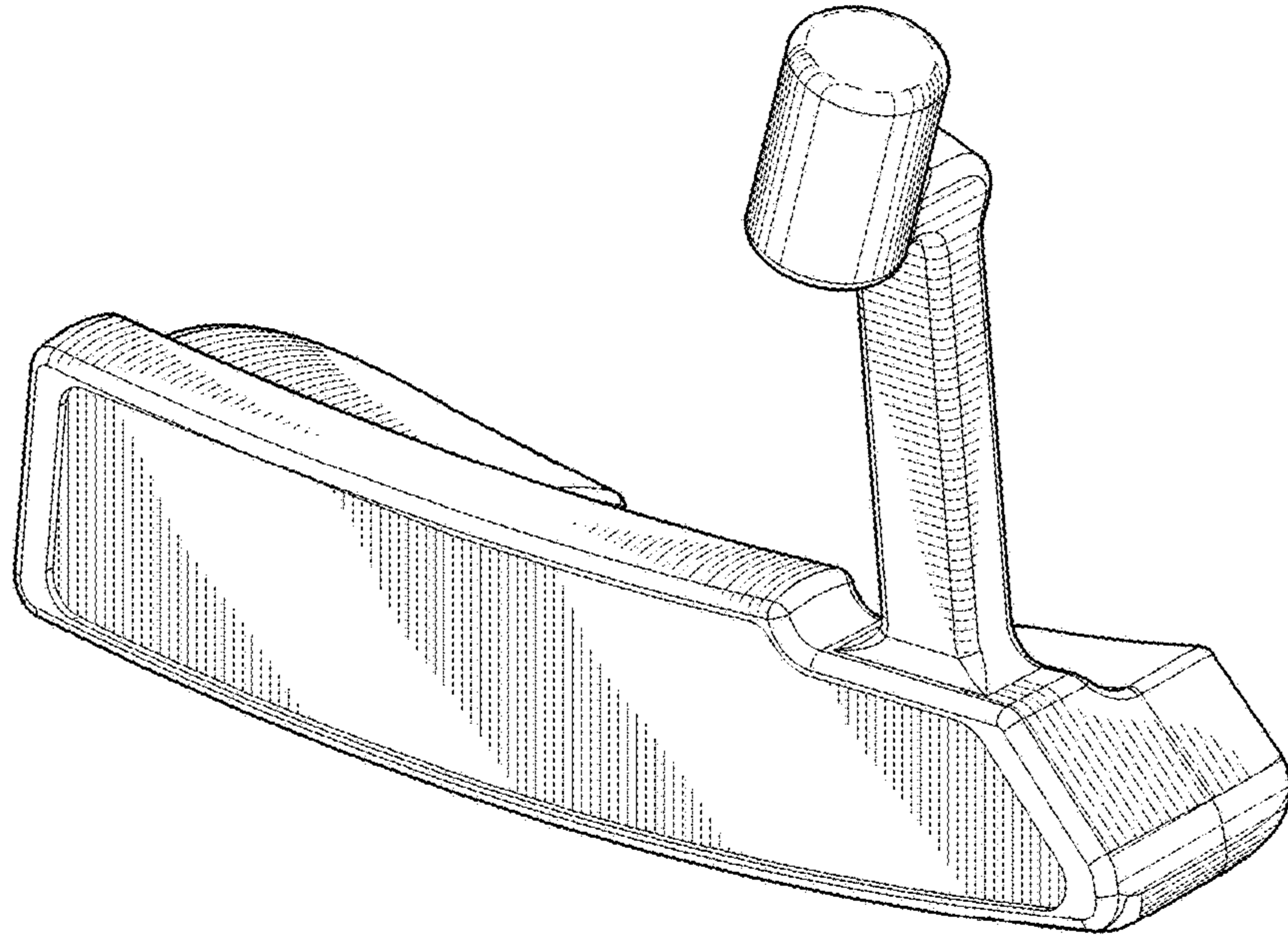


Fig. 9

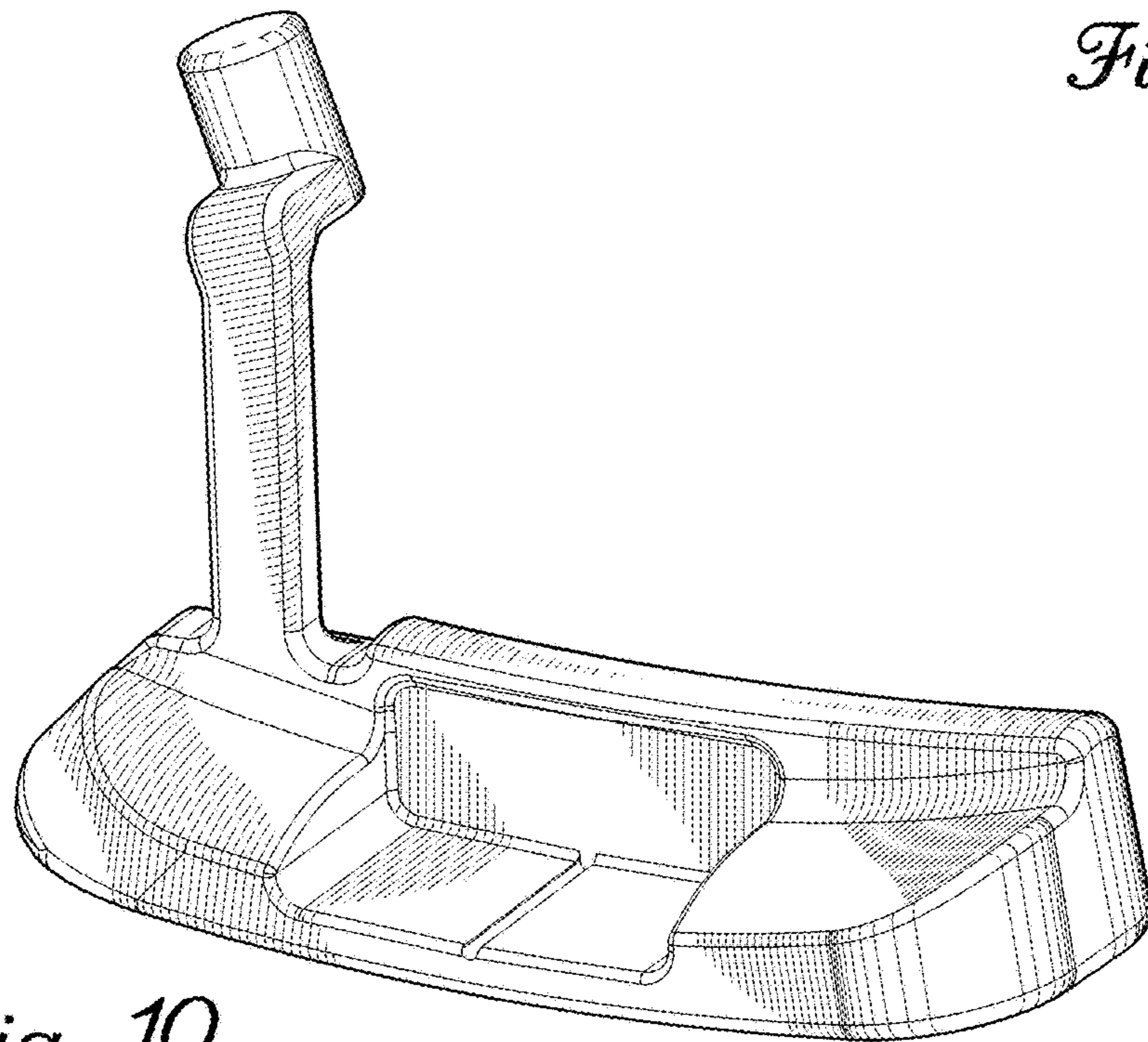


Fig. 10

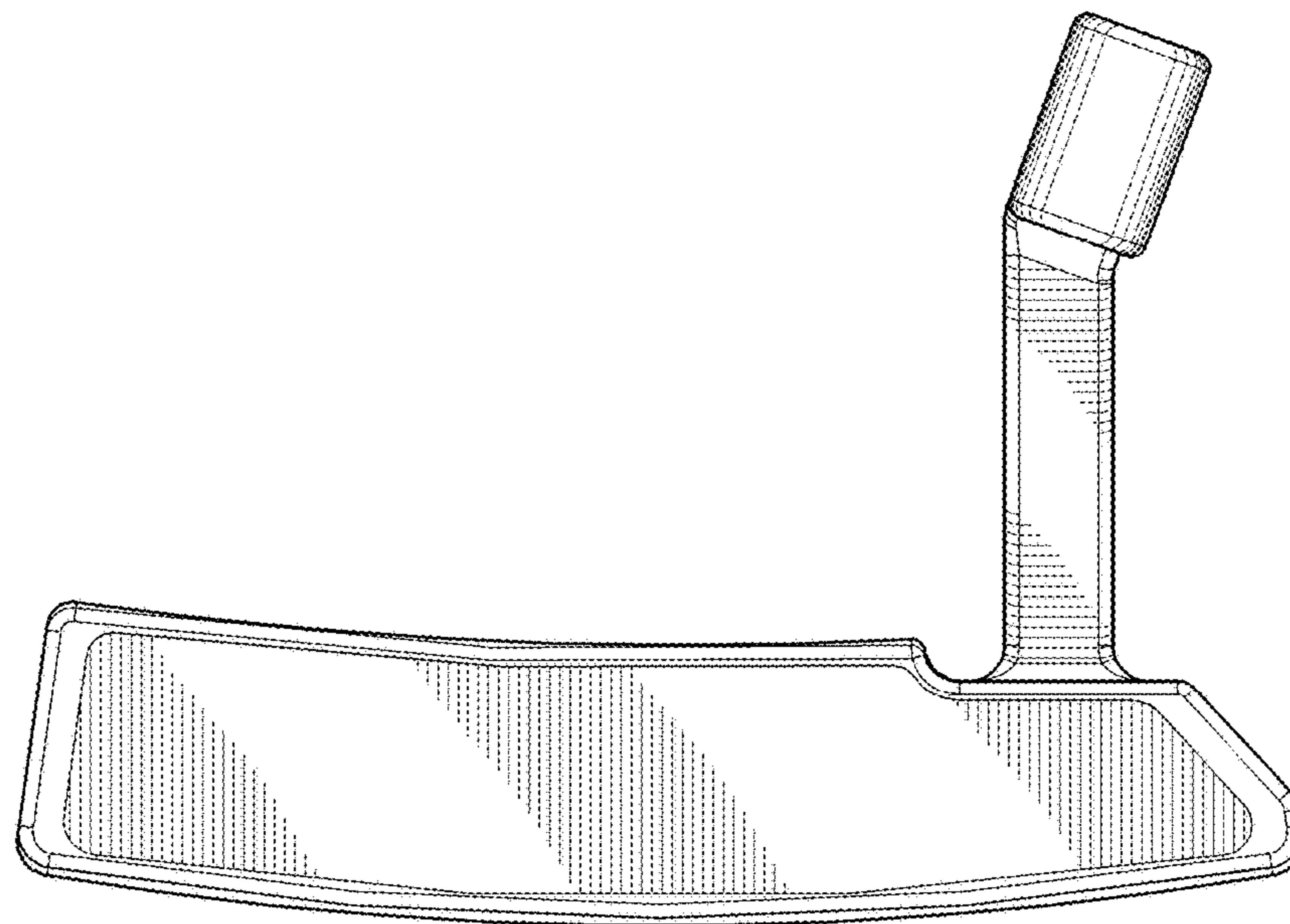


Fig. 11

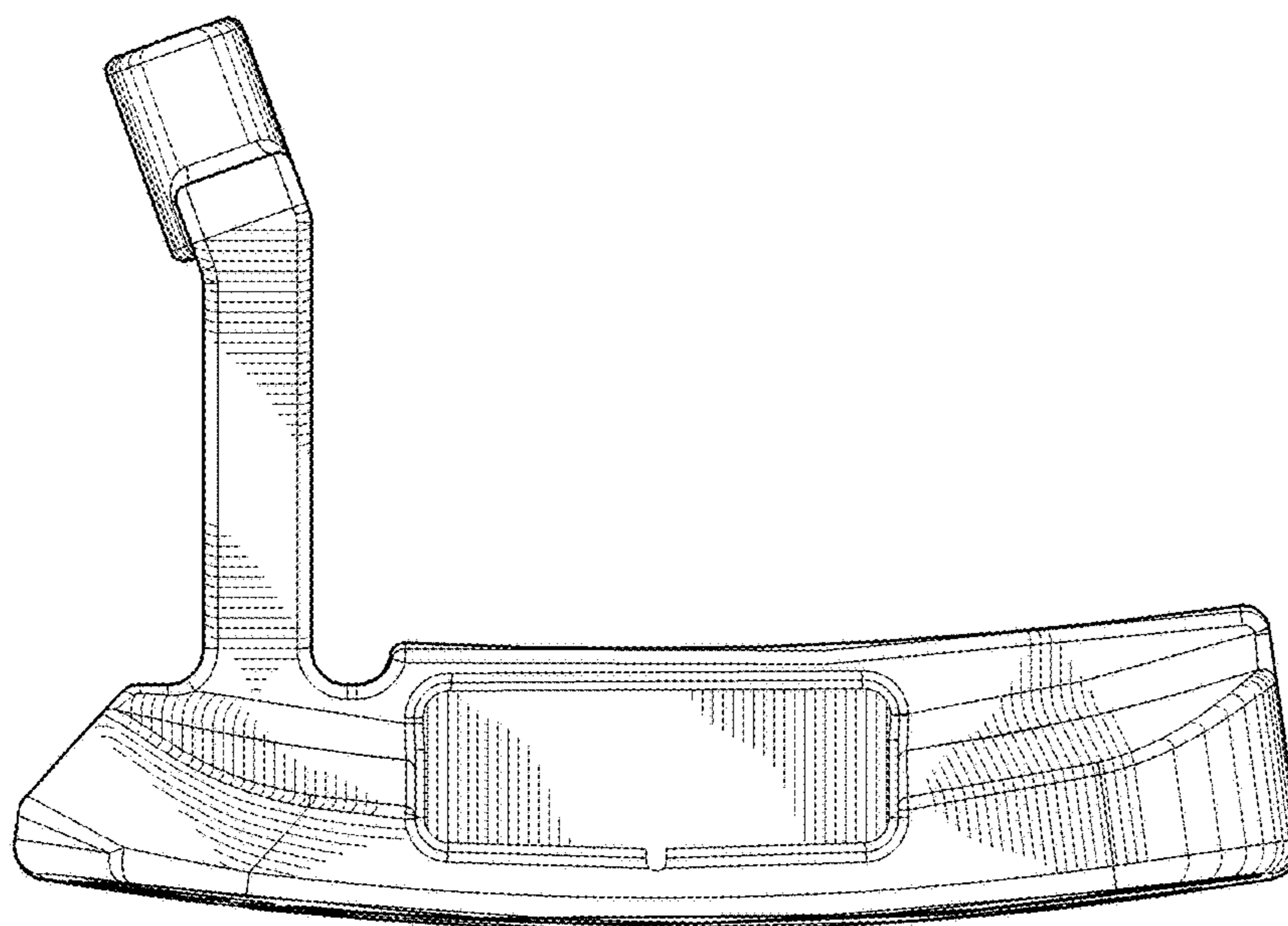


Fig. 12

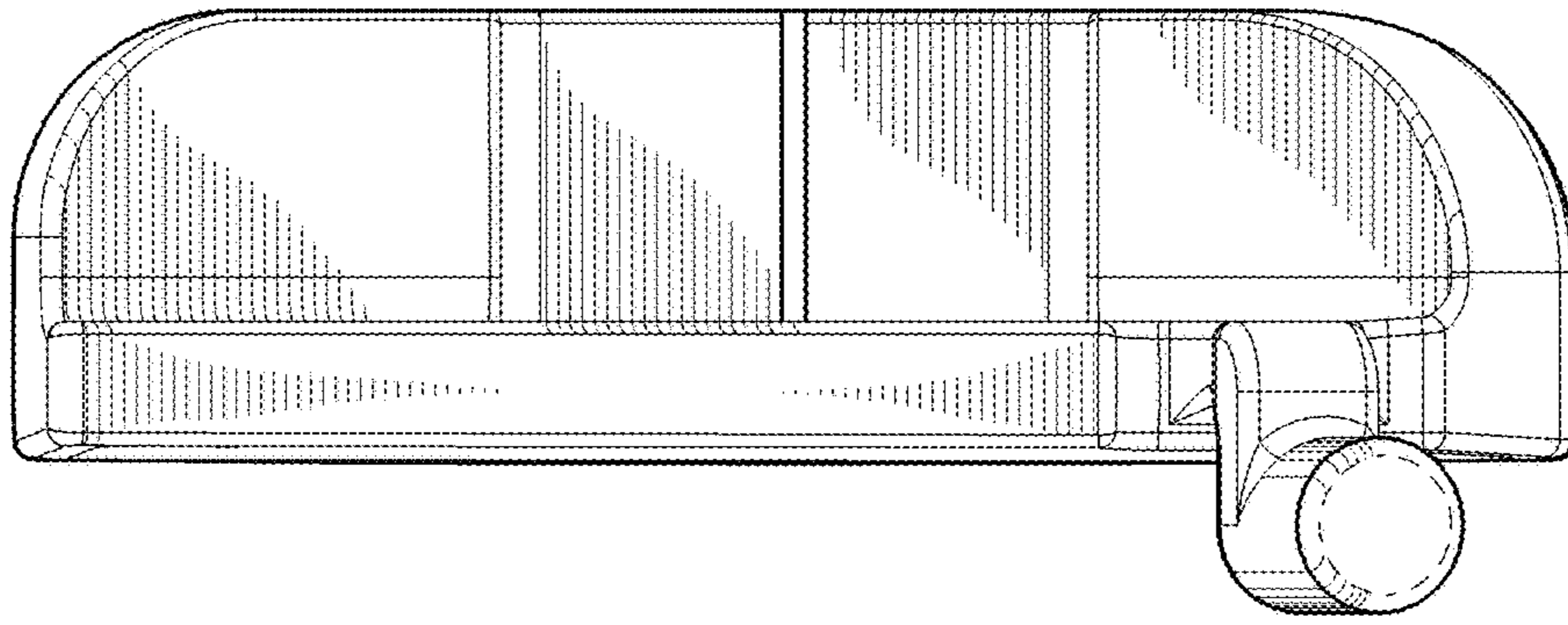


Fig. 13

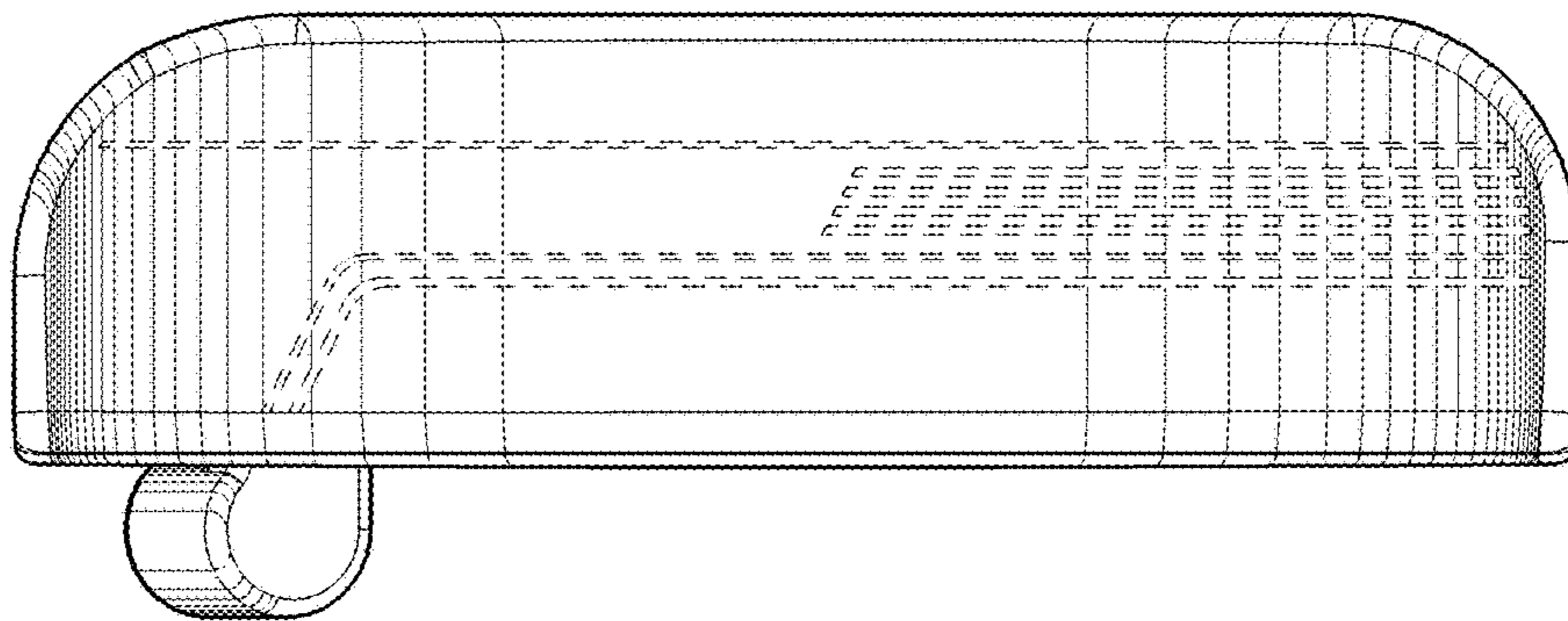


Fig. 14

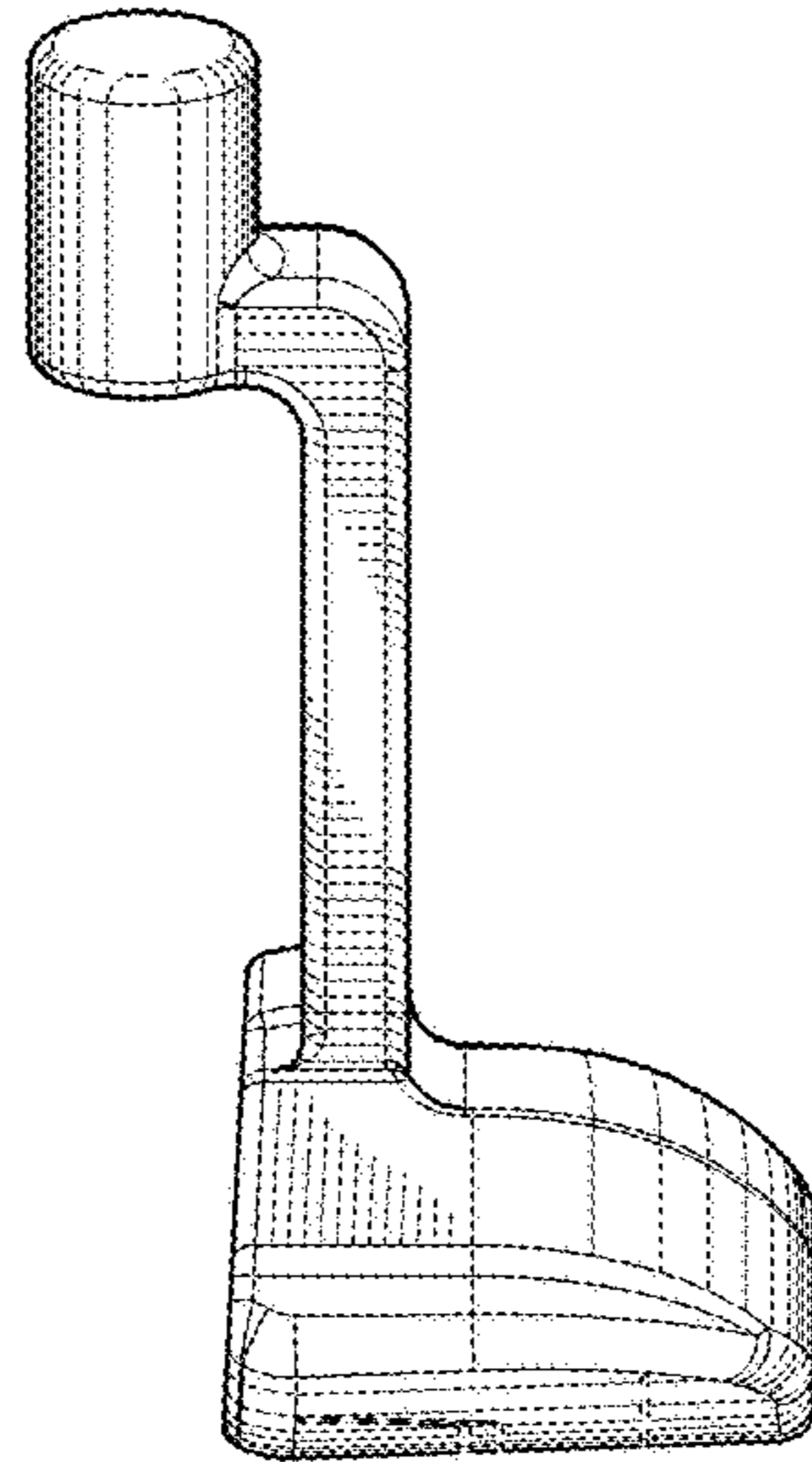


Fig. 15

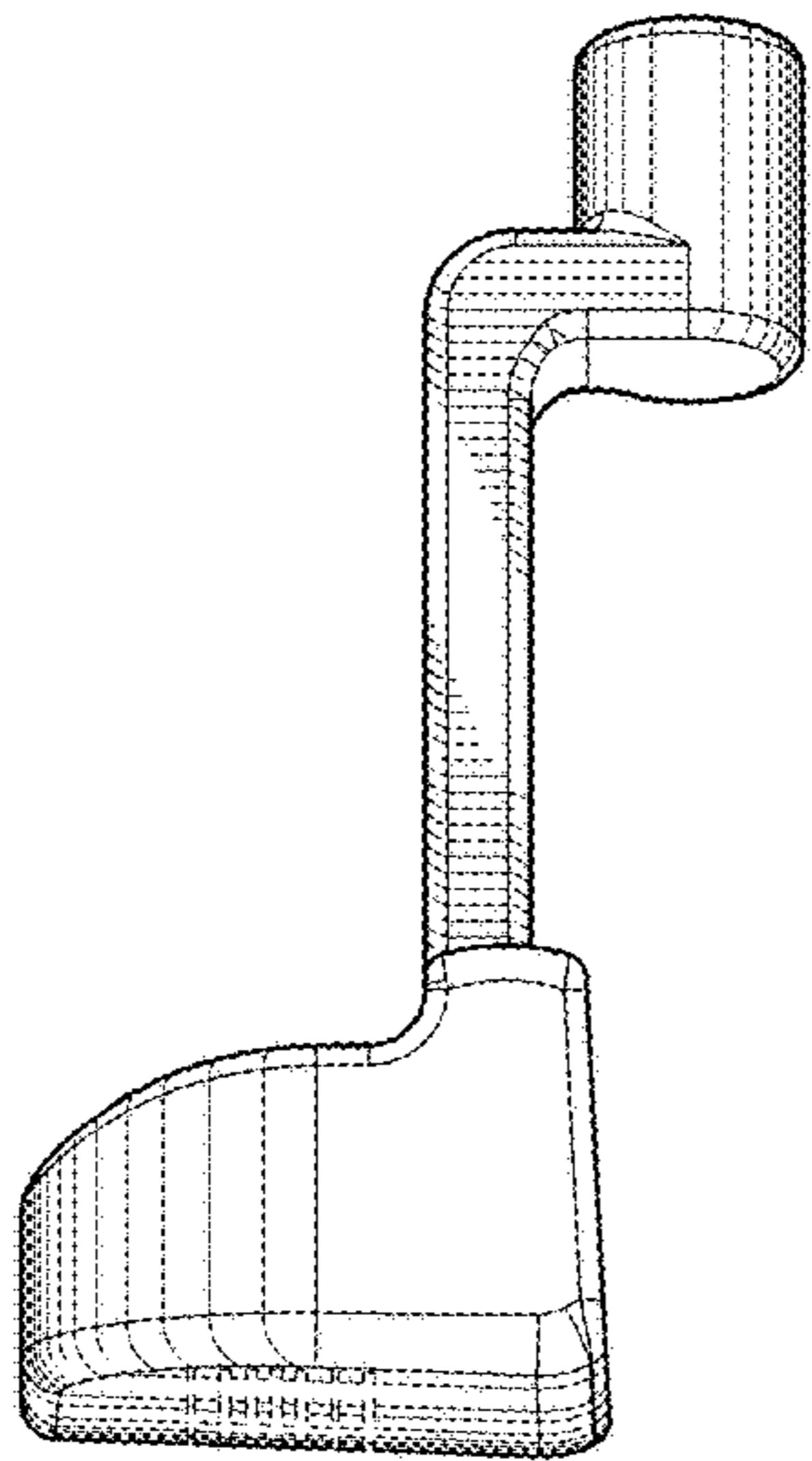


Fig. 16