

US00D797872S

(12) **United States Design Patent** (10) **Patent No.:** **US D797,872 S**
Jertson et al. (45) **Date of Patent:** **** Sep. 19, 2017**

- (54) **GOLF CLUB HEAD**
- (71) Applicant: **Karsten Manufacturing Corporation**,
Phoenix, AZ (US)
- (72) Inventors: **Martin R. Jertson**, Cave Creek, AZ
(US); **Daniel K. Lee**, Chandler, AZ
(US)
- (73) Assignee: **Karsten Manufacturing Corporation**,
Phoenix, AZ (US)
- (**) Term: **15 Years**
- (21) Appl. No.: **29/561,740**
- (22) Filed: **Apr. 19, 2016**
- (51) **LOC (10) Cl.** **21-02**
- (52) **U.S. Cl.**
USPC **D21/743**
- (58) **Field of Classification Search**
USPC D21/733-752, 759
CPC ... A63B 53/065; A63B 53/0487; A63B 53/00;
A63B 53/04; A63B 53/007
See application file for complete search history.

D488,526 S	4/2004	Souza	
D500,109 S	12/2004	Solheim	
D500,110 S	12/2004	Solheim	
6,837,801 B1	1/2005	Souza	
6,878,071 B1	4/2005	Schwieger	
6,893,355 B2	5/2005	Souza	
6,902,496 B2	6/2005	Solheim	
D507,612 S	7/2005	Souza	
6,926,615 B1	8/2005	Souza	
D511,802 S *	11/2005	Cameron D21/744
6,960,140 B2	11/2005	Solheim	
6,966,845 B2	11/2005	Solheim	
D514,181 S *	1/2006	Cameron D21/738
D520,584 S	5/2006	Karlsen	
D521,582 S	5/2006	Souza	
7,052,411 B2	5/2006	Solheim	
D522,598 S	6/2006	Solheim	
7,077,758 B2	7/2006	Rohrer	
7,086,957 B2	8/2006	Solheim	
D527,777 S	9/2006	Solheim	

(Continued)

Primary Examiner — Mitchell Siegel

(57) **CLAIM**

The ornamental design for a golf club head, as shown and described.

DESCRIPTION

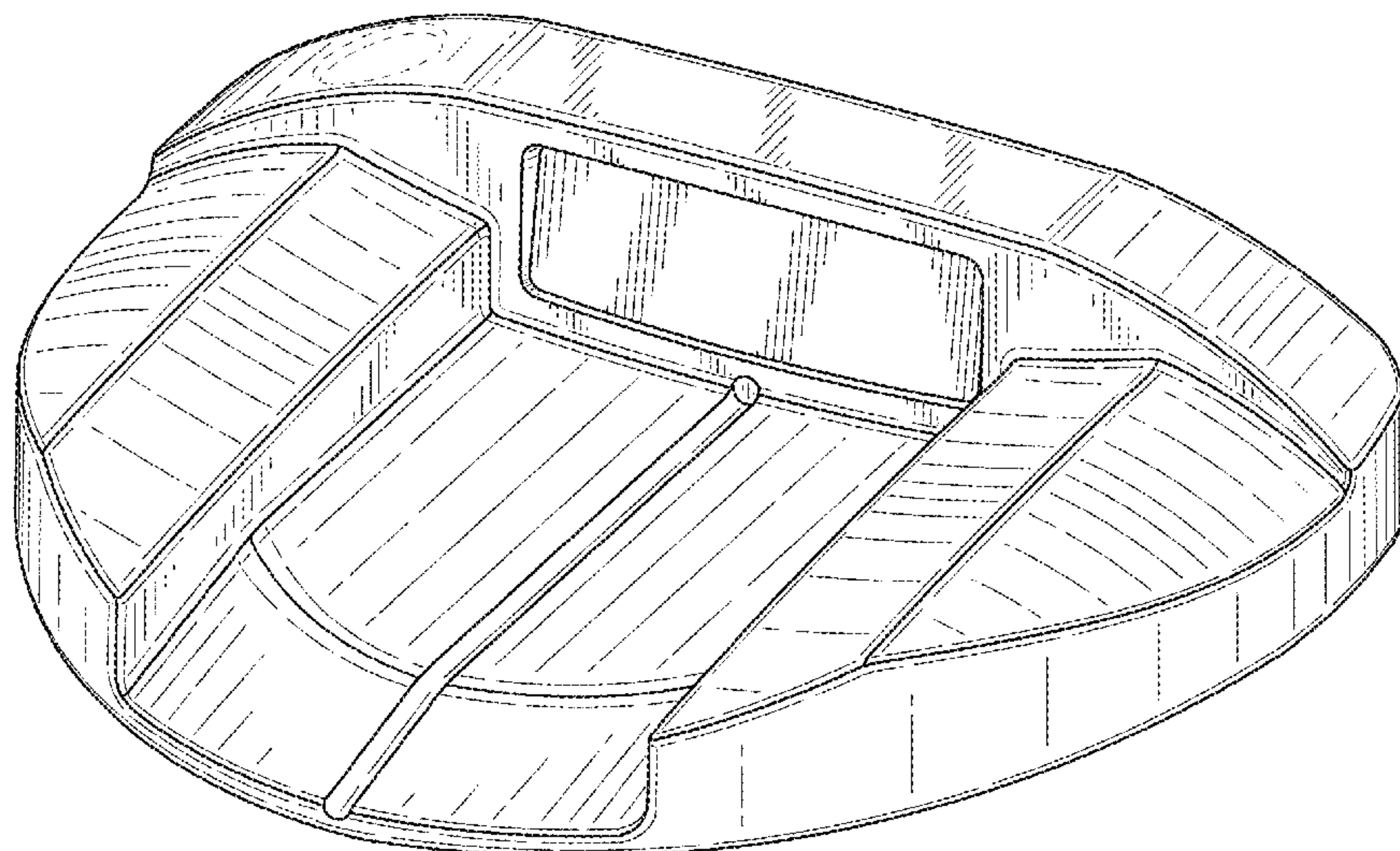
FIG. 1 is a top perspective view of a golf club head;
 FIG. 2 is a bottom perspective view of the golf club head of FIG. 1;
 FIG. 3 is a front view of the golf club head of FIG. 1;
 FIG. 4 is a rear view of the golf club head of FIG. 1;
 FIG. 5 is a top view of the golf club head of FIG. 1;
 FIG. 6 is a bottom view of the golf club head of FIG. 1;
 FIG. 7 is a left view of the golf club head of FIG. 1; and,
 FIG. 8 is a right view of the golf club head of FIG. 1.
 The broken lines shown in one or more of the figures are for illustrative purposes only and form no part of the claimed design.

1 Claim, 6 Drawing Sheets

(56) **References Cited**

U.S. PATENT DOCUMENTS

3,884,477 A	5/1975	Bianco	
4,030,766 A	6/1977	Derr	
D316,129 S	4/1991	Bryson	
5,275,412 A	1/1994	Innes	
5,685,784 A	11/1997	Butler	
D400,942 S *	11/1998	Billings D21/742
D402,343 S *	12/1998	Helmstetter D21/736
D429,297 S *	8/2000	Hettinger D21/744
6,159,108 A	12/2000	De La Pena	
D447,782 S *	9/2001	Hettinger D21/744
6,379,259 B1	4/2002	Opie	
6,478,690 B2 *	11/2002	Helmstetter A63B 53/0487 473/324



(56)

References Cited

U.S. PATENT DOCUMENTS

D529,108 S	9/2006	Stites	7,803,066 B2	9/2010	Solheim	
D532,847 S	11/2006	Rollinson	7,815,515 B1	10/2010	Hunt	
D533,243 S	12/2006	Fife	D638,891 S	5/2011	Nicolette	
D543,598 S *	5/2007	Kuan D21/736	D640,341 S	6/2011	Foster et al.	
7,235,021 B2	6/2007	Solheim	D643,080 S	8/2011	Serrano	
D548,295 S	8/2007	Jertson	D643,485 S	8/2011	Nicolette	
7,255,650 B2	8/2007	Bryant	D643,486 S	8/2011	Serrano	
D552,197 S	10/2007	Wells	D643,487 S	8/2011	Serrano	
D564,606 S	3/2008	Oldknow	8,100,779 B2	1/2012	Solheim	
D565,137 S	3/2008	Oldknow	D653,718 S	2/2012	Stokke	
D569,462 S	5/2008	Rollinson	8,109,838 B2	2/2012	Solheim	
7,371,185 B1	5/2008	Rohrer	8,128,505 B2	3/2012	Tryner et al.	
D581,473 S	11/2008	Thomas	D664,617 S	7/2012	Serrano	
D583,003 S	12/2008	Solheim	D691,681 S	10/2013	Hilton	
D587,325 S	2/2009	Solheim	D720,022 S *	12/2014	Rollinson D21/736	
D595,372 S	6/2009	Rollinson	D720,023 S *	12/2014	Rollinson D21/736	
D600,760 S	9/2009	Serrano	D722,351 S *	2/2015	Parsons D21/736	
D600,761 S	9/2009	Solheim	D748,213 S *	1/2016	Parsons D21/742	
D600,762 S	9/2009	Serrano	D769,996 S *	10/2016	Abbott D21/744	
7,601,076 B2	10/2009	Rollinson	D774,609 S *	12/2016	Serrano D21/744	
D604,782 S *	11/2009	Franklin D21/736	2005/0170904 A1	8/2005	Smeeth	
D607,950 S	1/2010	Souza	2005/0233829 A1 *	10/2005	Cameron A63B 53/0487 473/340	
D621,458 S	8/2010	Serrano	2006/0094533 A1	5/2006	Warren	
D621,460 S	8/2010	Serrano	2006/0166755 A1	7/2006	Brown	
D621,461 S	8/2010	Serrano	2007/0191135 A1	8/2007	Nilsson	
D621,462 S	8/2010	Serrano	2008/0096686 A1	4/2008	Bilkhu	
D621,891 S	8/2010	Serrano	2010/0227704 A1	9/2010	Souza	
			2012/0115628 A1	5/2012	Woods	

* cited by examiner

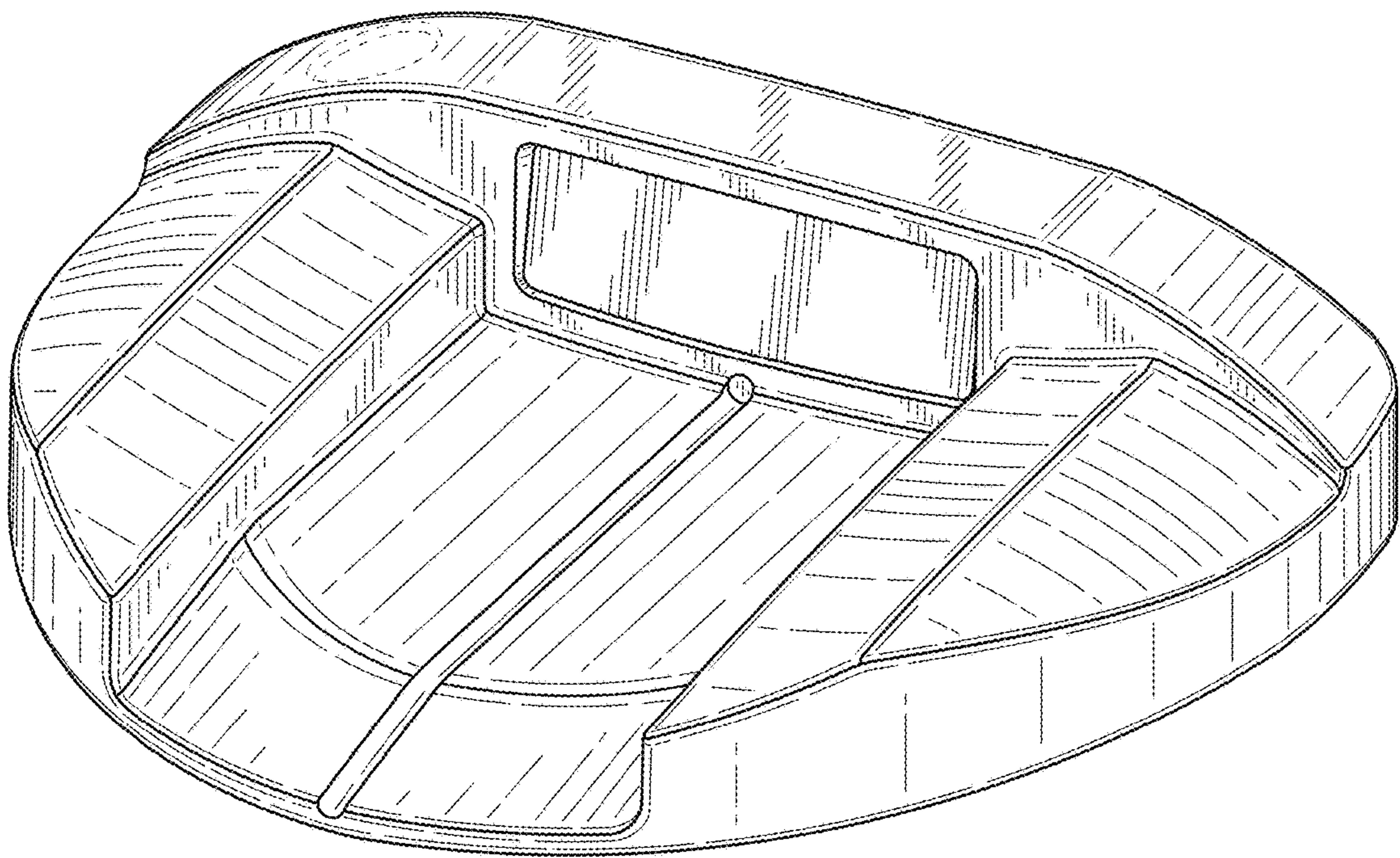


FIG. 1

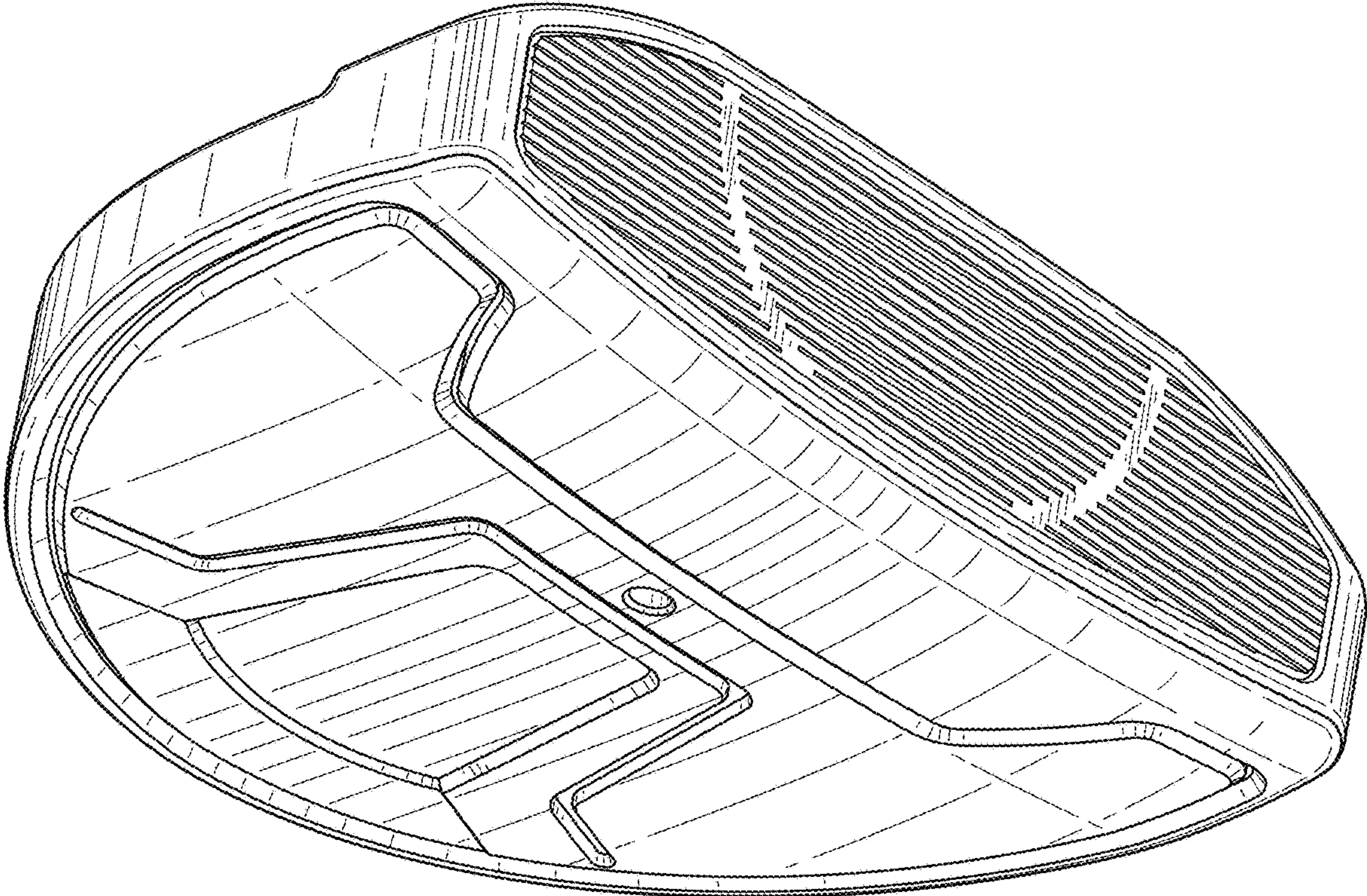


FIG. 2

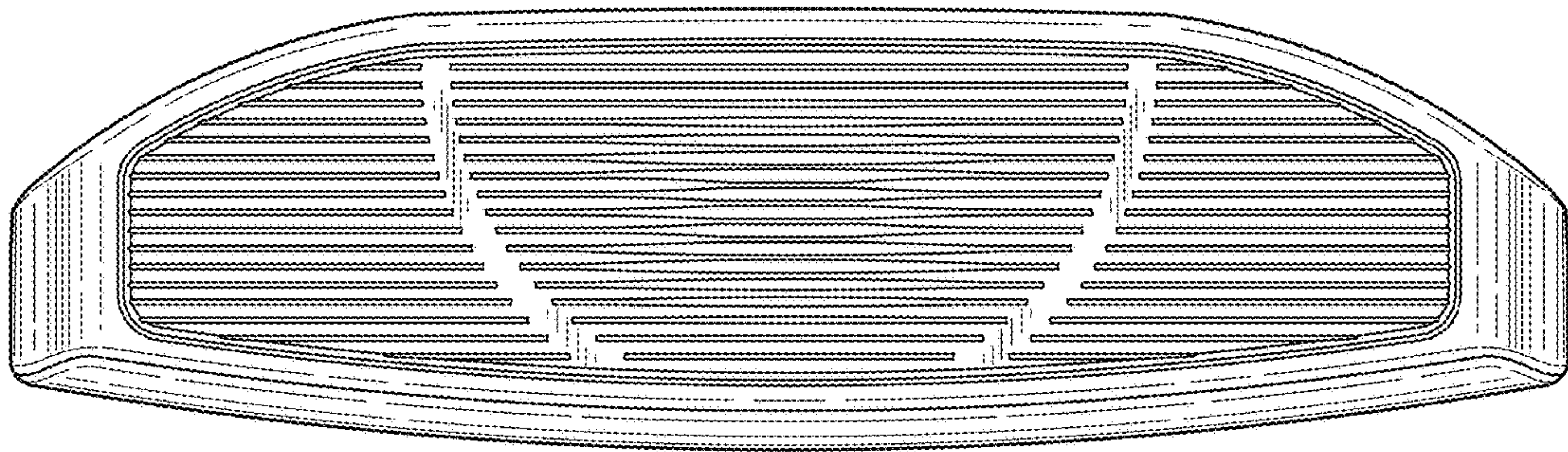


FIG. 3

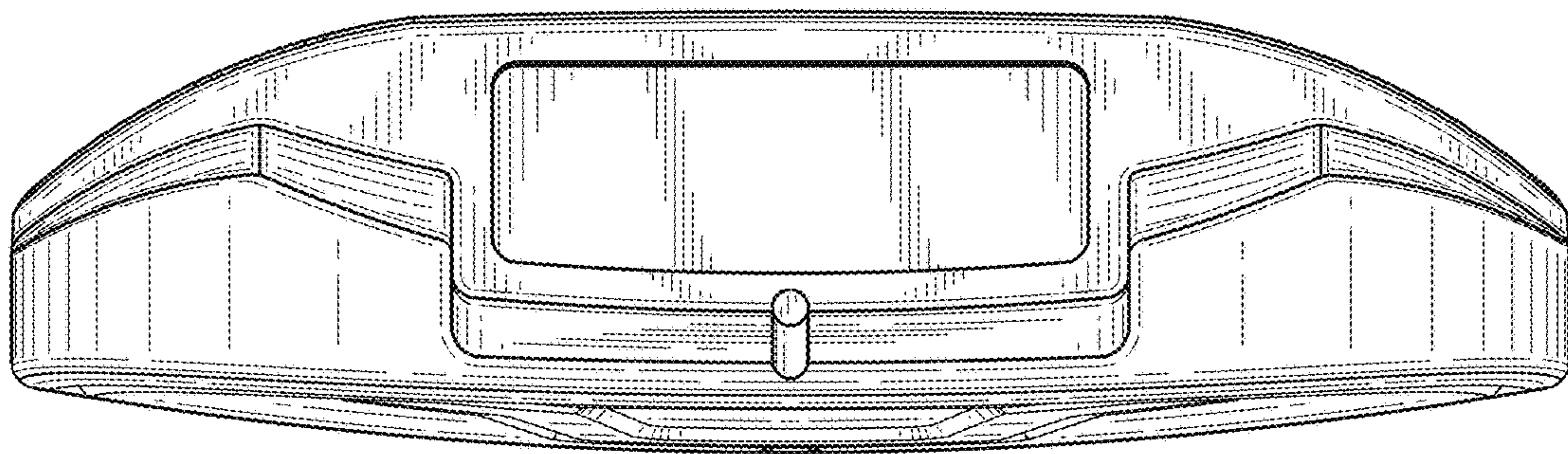


FIG. 4

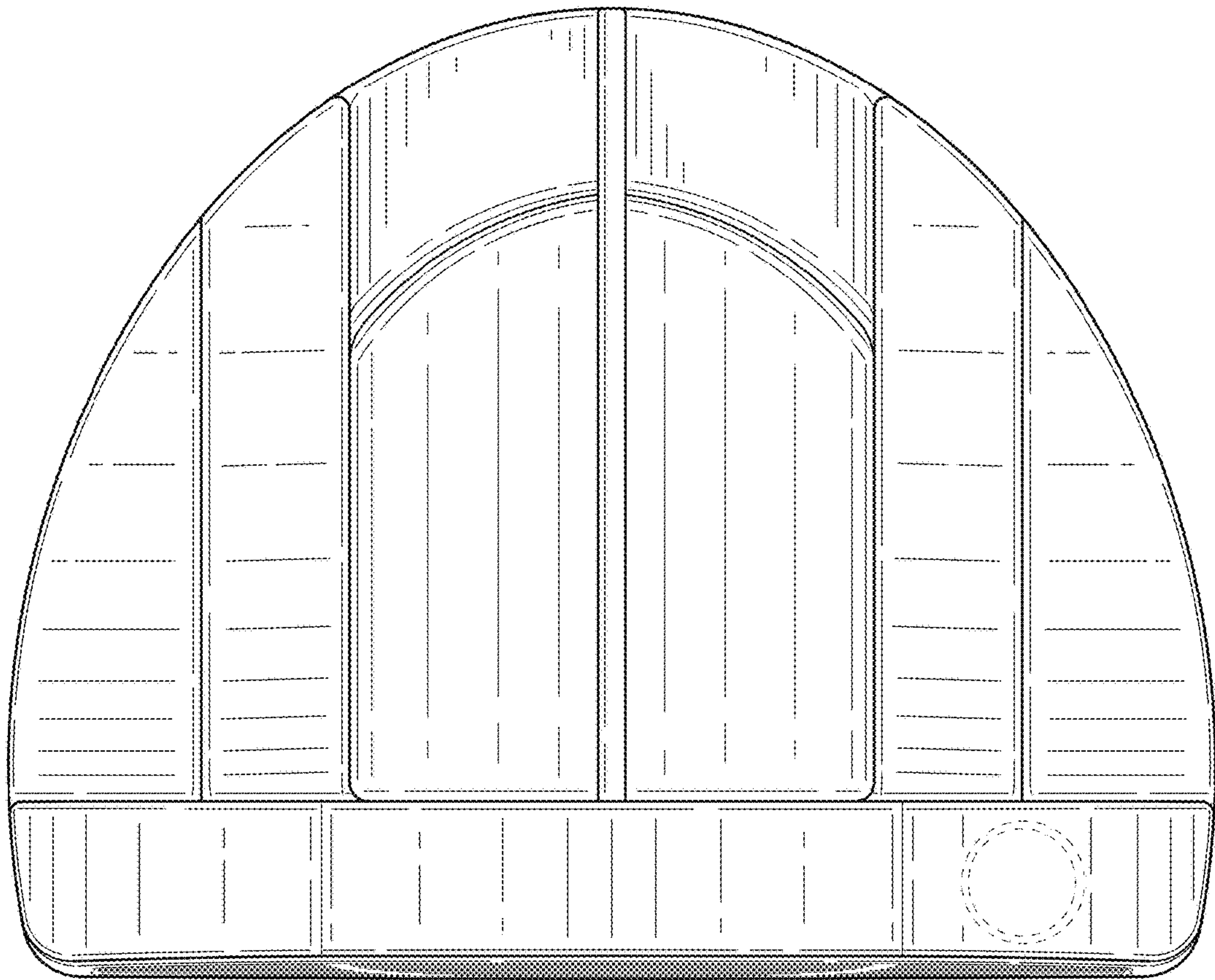


FIG. 5

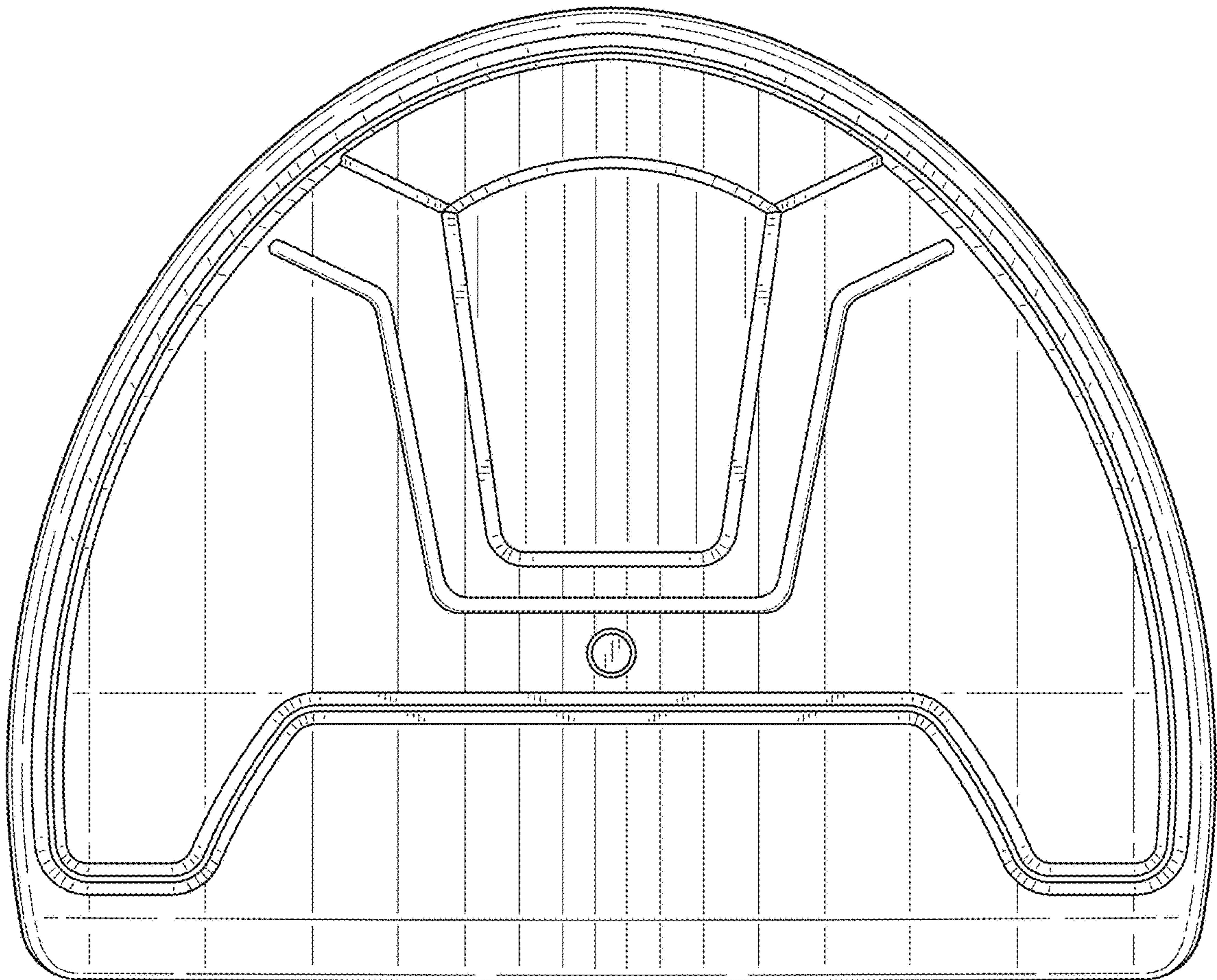


FIG. 6

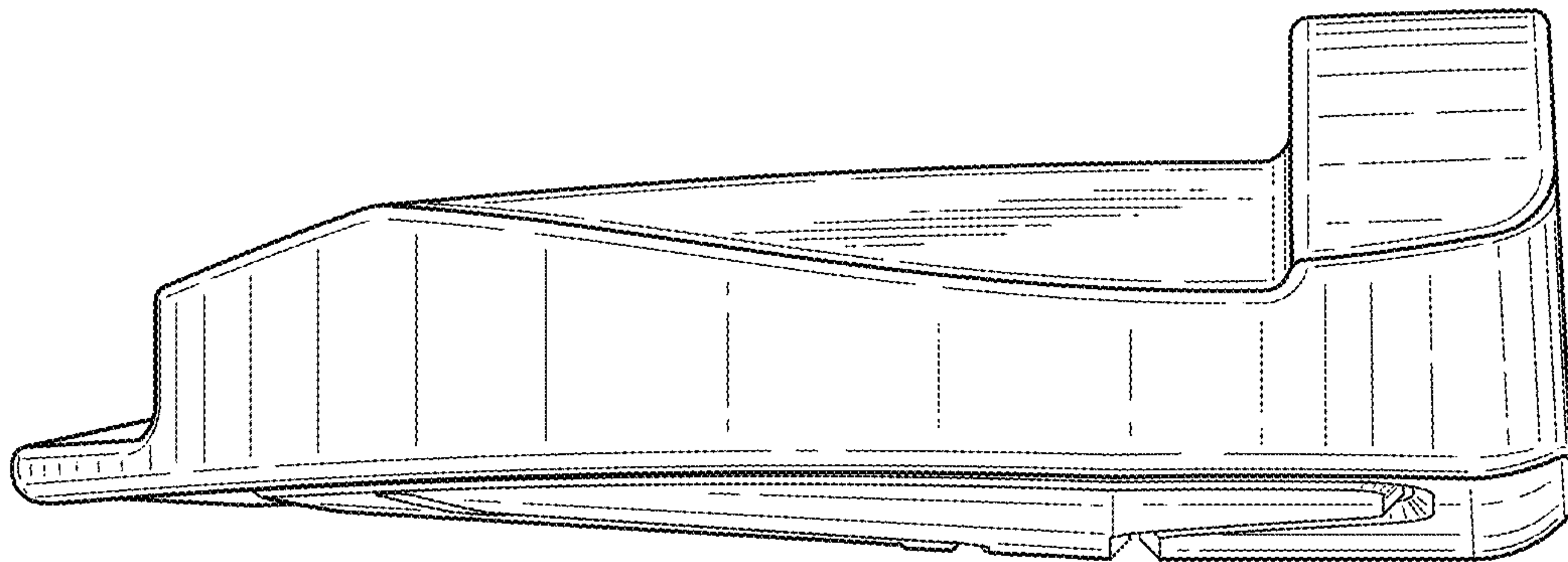


FIG. 7

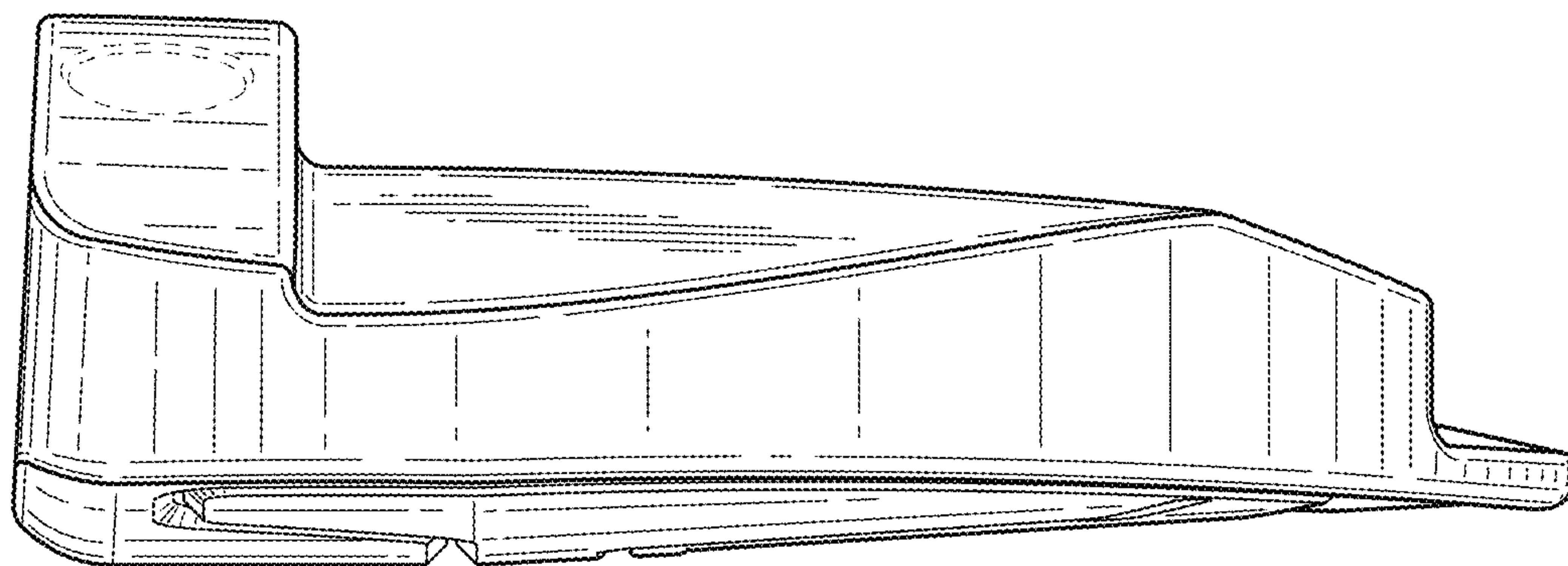


FIG. 8