



US00D797871S

(12) **United States Design Patent** (10) **Patent No.:** **US D797,871 S**
Sebo (45) **Date of Patent:** **** Sep. 19, 2017**

(54) **PUTTER HEAD**
(71) Applicant: **Wayne Sebo**, Warsaw, IN (US)
(72) Inventor: **Wayne Sebo**, Warsaw, IN (US)
(**) Term: **15 Years**
(21) Appl. No.: **29/594,536**
(22) Filed: **Feb. 20, 2017**
(51) **LOC (10) Cl.** **21-02**
(52) **U.S. Cl.**
USPC **D21/736**
(58) **Field of Classification Search**
USPC D21/736-746
CPC ... A63B 53/065; A63B 53/0487; A63B 53/00;
A63B 53/007; A63B 53/04
See application file for complete search history.

4,951,949 A * 8/1990 Kastenhuber A63B 53/0487
473/313
D322,109 S * 12/1991 Antonious D21/740
D322,112 S * 12/1991 Kastenhuber D21/740
D362,705 S * 9/1995 Sprecher D21/738
5,505,447 A * 4/1996 Mockovak A63B 53/02
473/308
5,577,968 A * 11/1996 Pritchett A63B 53/02
473/305
D397,751 S * 9/1998 Karagozian D21/742
D400,629 S * 11/1998 Markwardt D21/736
D483,086 S * 12/2003 Schweigert D21/736
7,326,128 B2 * 2/2008 Cole A63B 53/0487
473/335
D616,052 S * 5/2010 Chung D21/738
D625,374 S * 10/2010 Hettinger D21/743
D641,438 S * 7/2011 Rollinson D21/736
8,382,603 B1 * 2/2013 Hong A63B 53/007
473/226
D728,046 S * 4/2015 Chung D21/743
D769,994 S * 10/2016 Hunter D21/743

* cited by examiner

(56) **References Cited**

U.S. PATENT DOCUMENTS

D220,844 S * 6/1971 Letters D21/740
D223,031 S * 2/1972 Ernst D21/740
3,992,015 A * 11/1976 Benson A63B 53/007
473/312
4,147,357 A * 4/1979 Strop A63B 53/0487
473/251
D256,824 S * 9/1980 Ward D21/736
D260,160 S * 8/1981 Giebel D21/739
D267,738 S * 1/1983 Giebel D21/739
D293,355 S * 12/1987 Wampler D21/738
D293,926 S * 1/1988 Antonious D21/740
D294,059 S * 2/1988 Antonious D21/740
D294,158 S * 2/1988 Risk D21/740
D299,043 S * 12/1988 Antonious D21/740
D300,758 S * 4/1989 Antonious D21/740
D300,759 S * 4/1989 Antonious D21/740

Primary Examiner — Mitchell Siegel

(74) *Attorney, Agent, or Firm* — Botkin & Hall, LLP

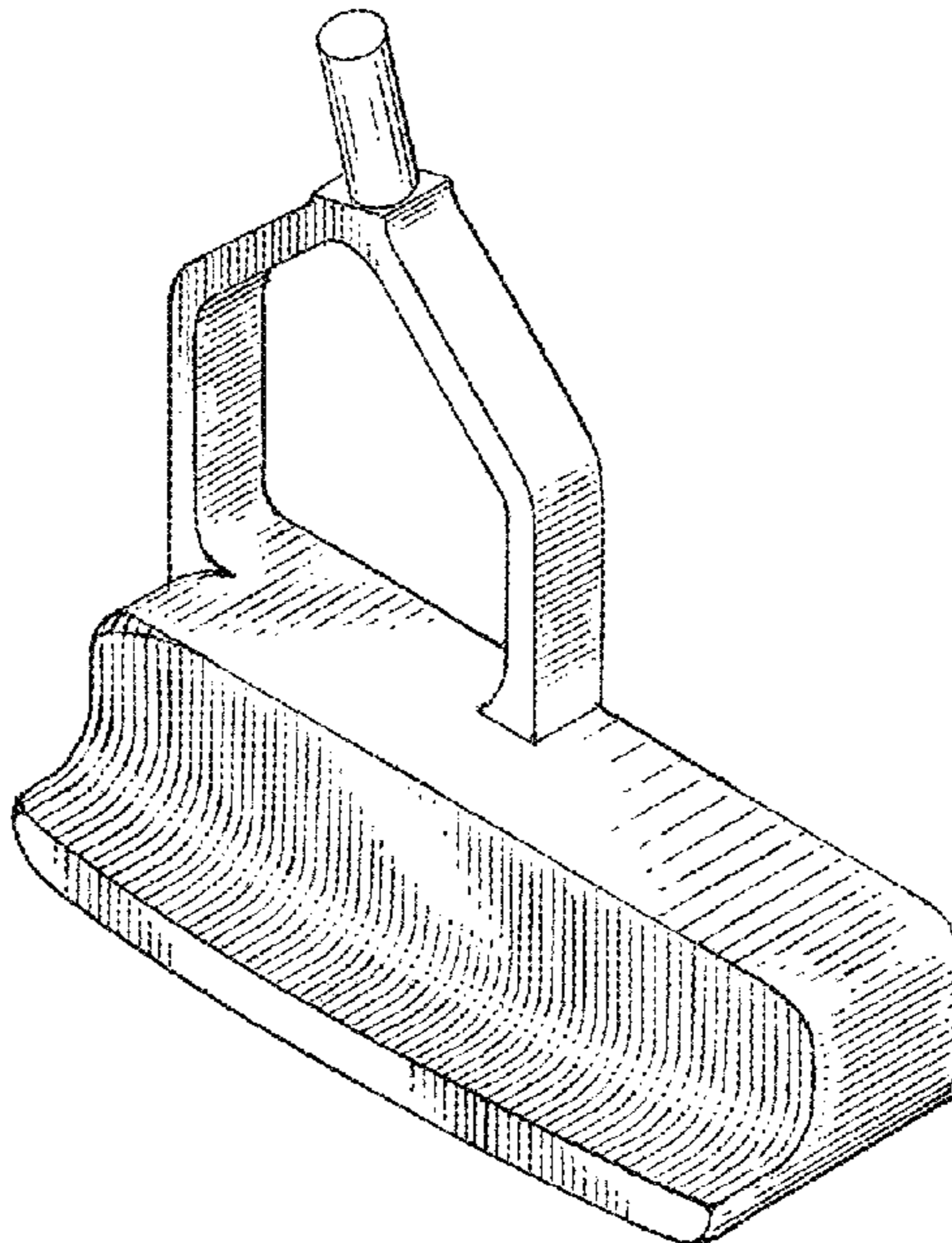
(57) **CLAIM**

The ornamental design for a putter head, as shown and described.

DESCRIPTION

FIG. 1 is a rear isometric view of the putter head;
FIG. 2 is a top view of the putter head;
FIG. 3 is a rear view of the putter head;
FIG. 4 is a left side view of the putter head;
FIG. 5 is a right side view of the putter head;
FIG. 6 is a front view of the putter head; and,
FIG. 7 is a bottom view of the putter head.

1 Claim, 3 Drawing Sheets



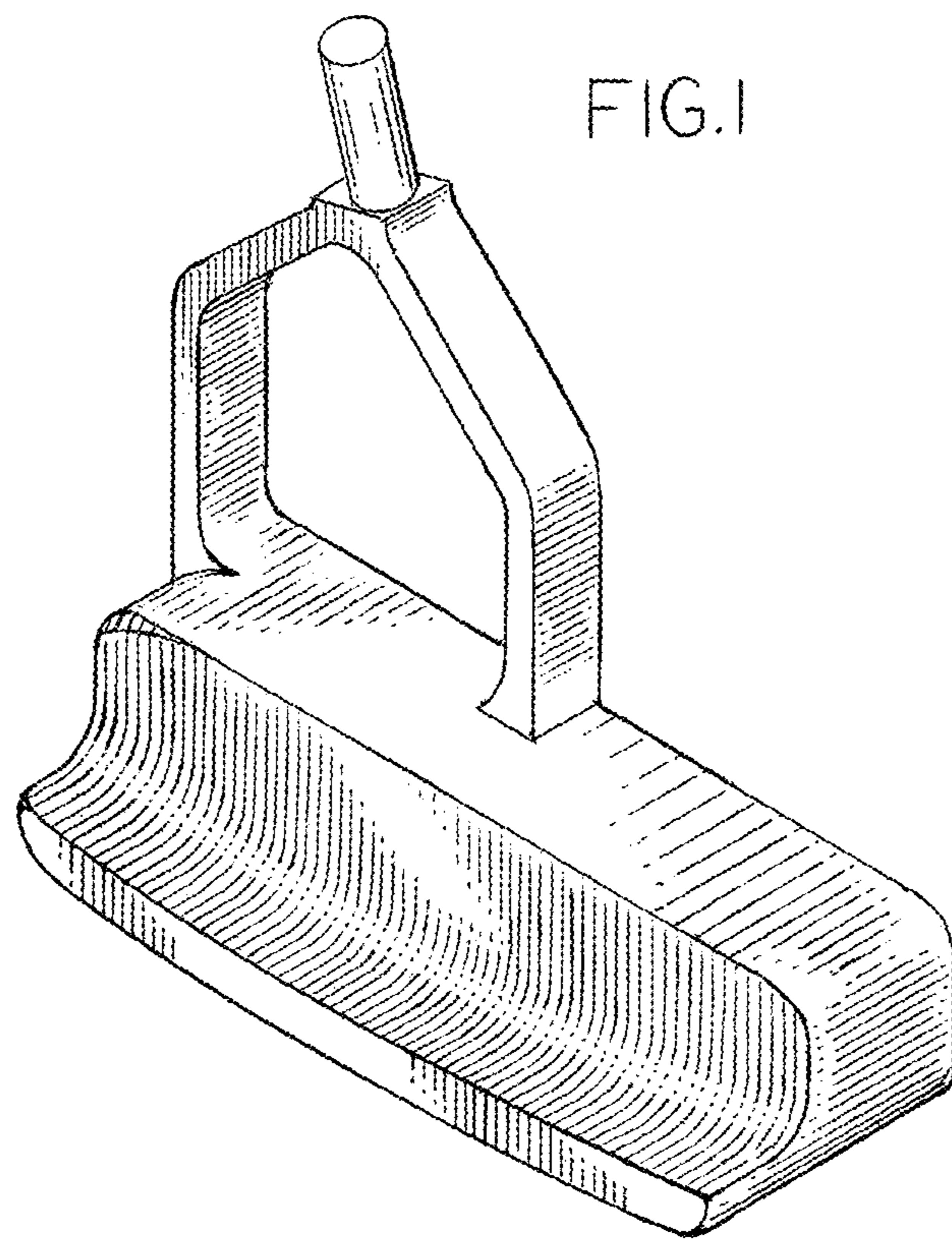


FIG. 1

FIG.2

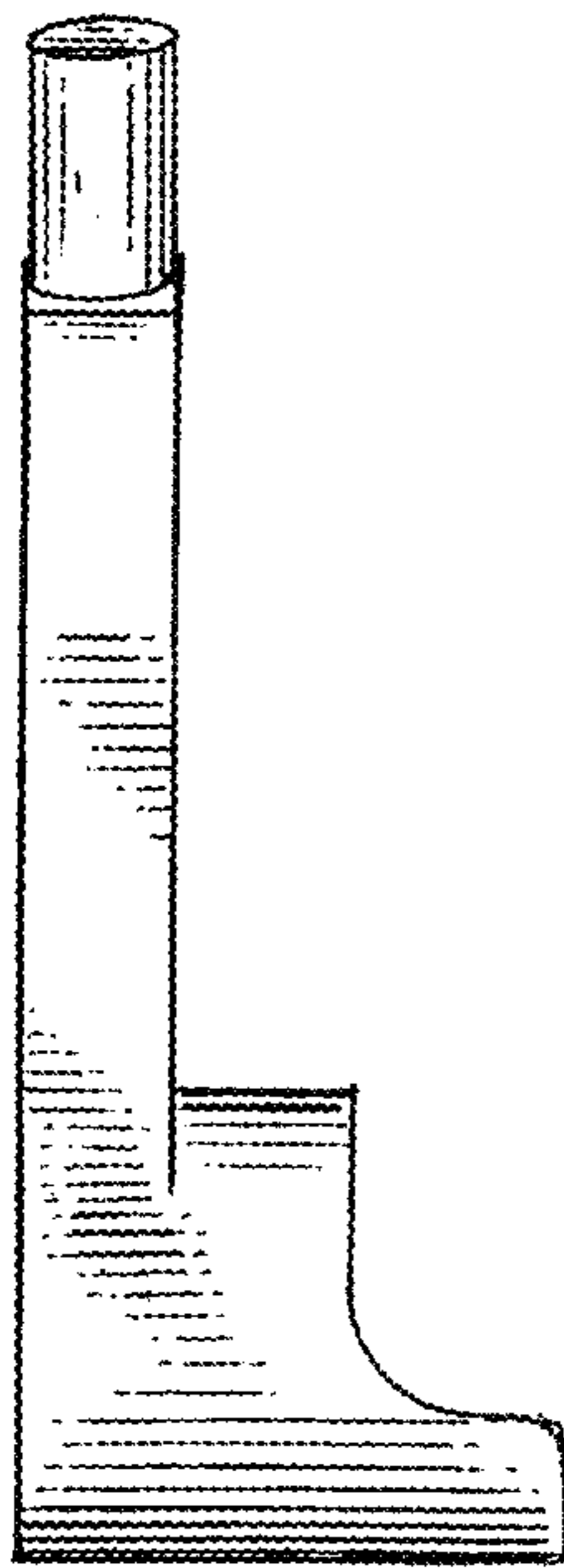
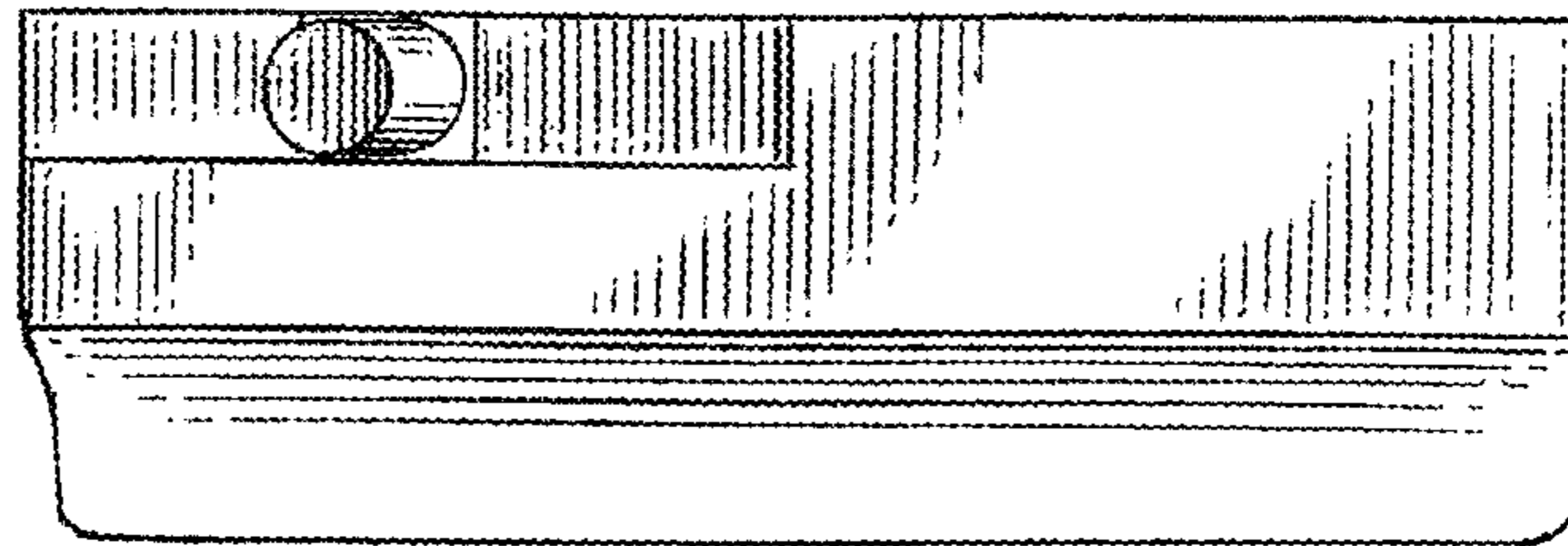


FIG.4

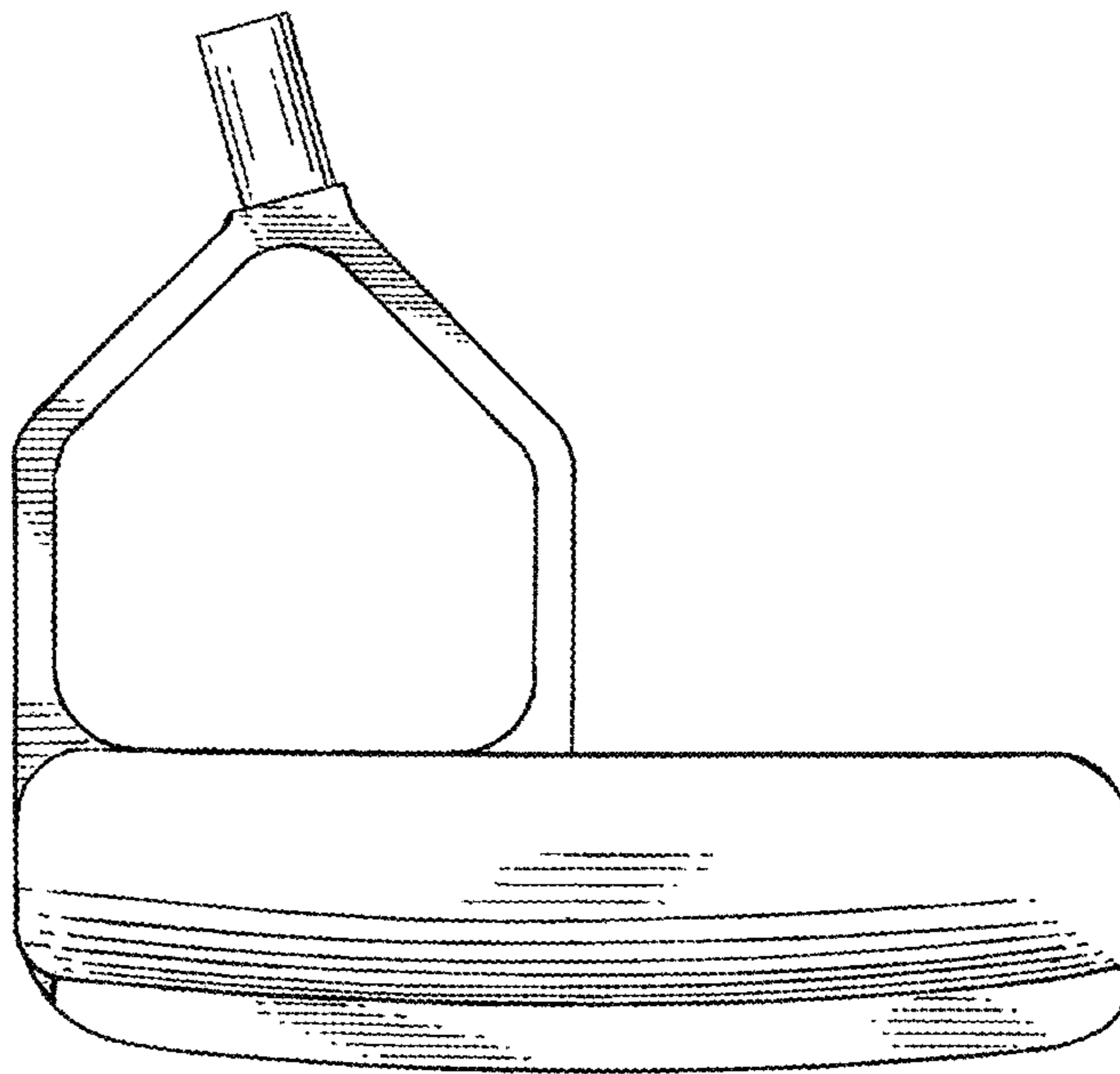


FIG.3

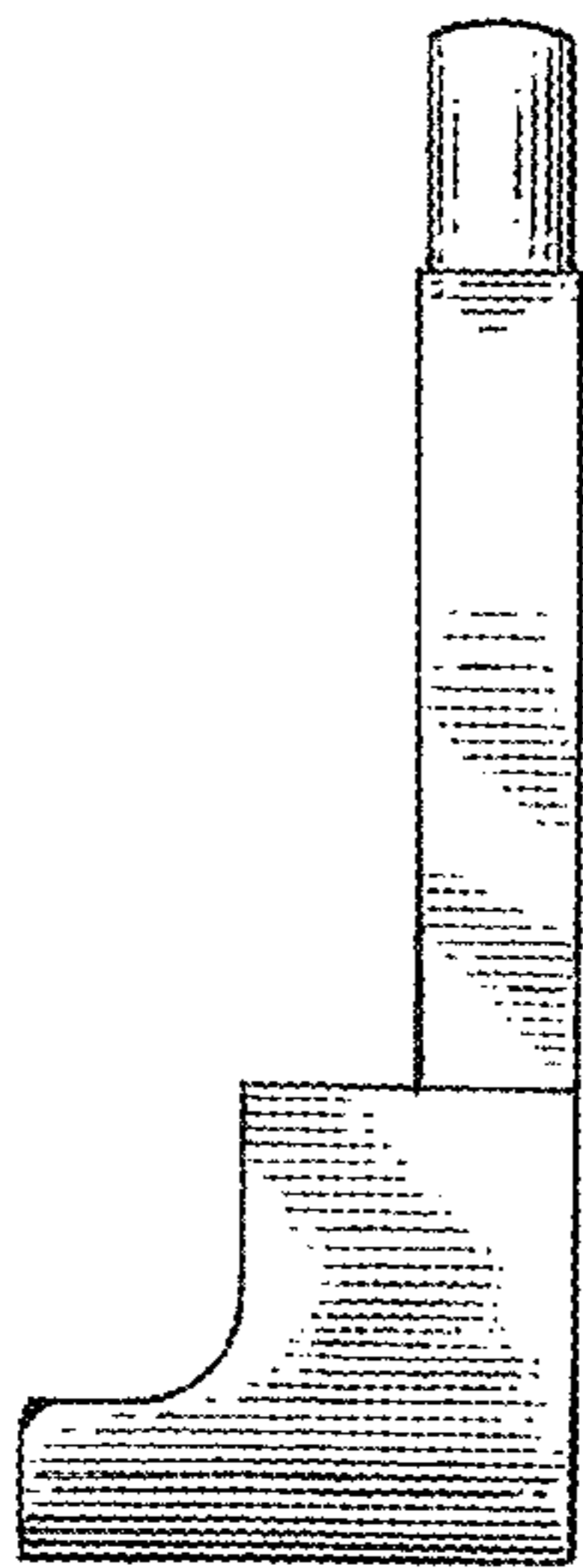


FIG. 5

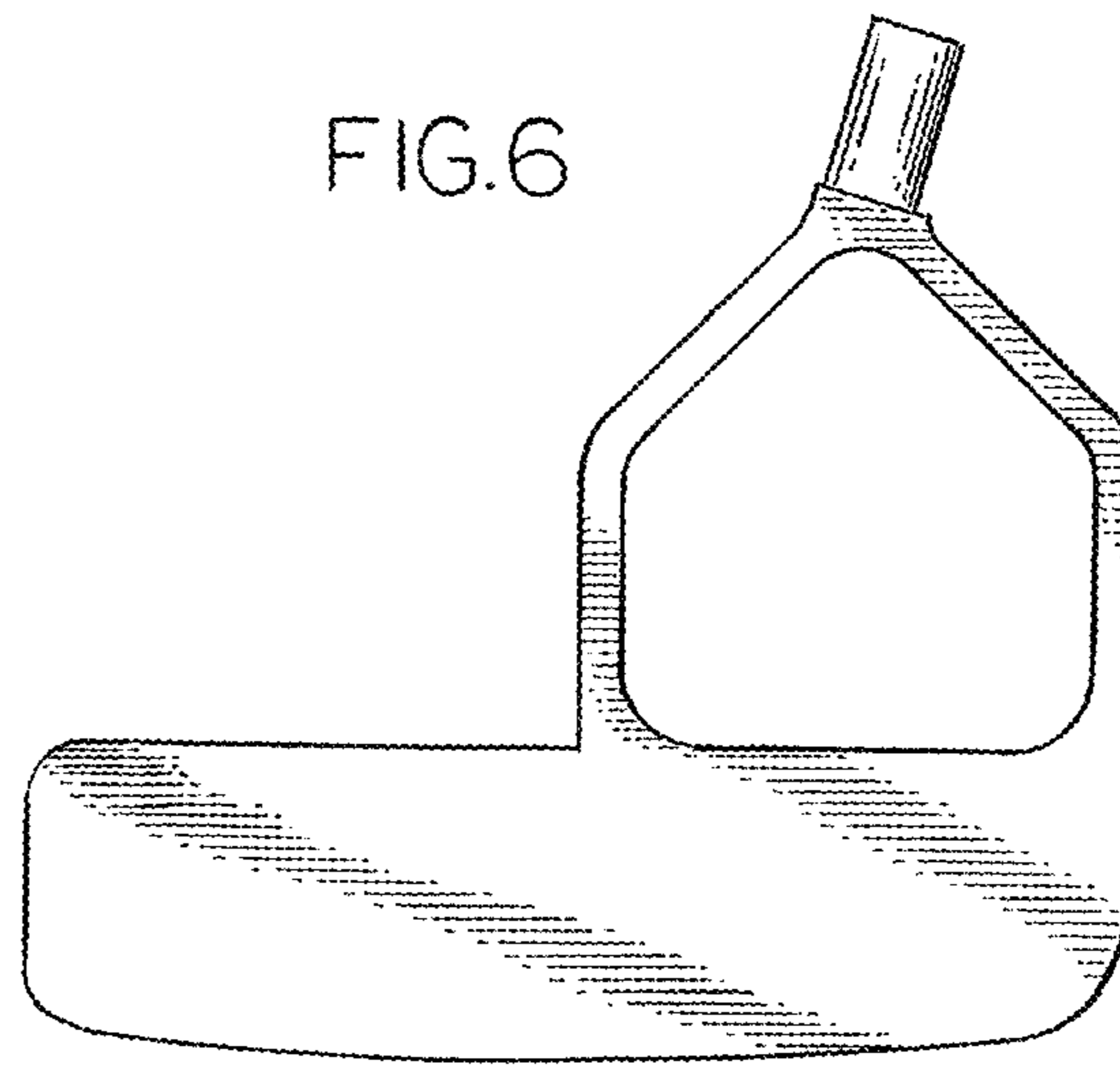


FIG. 6

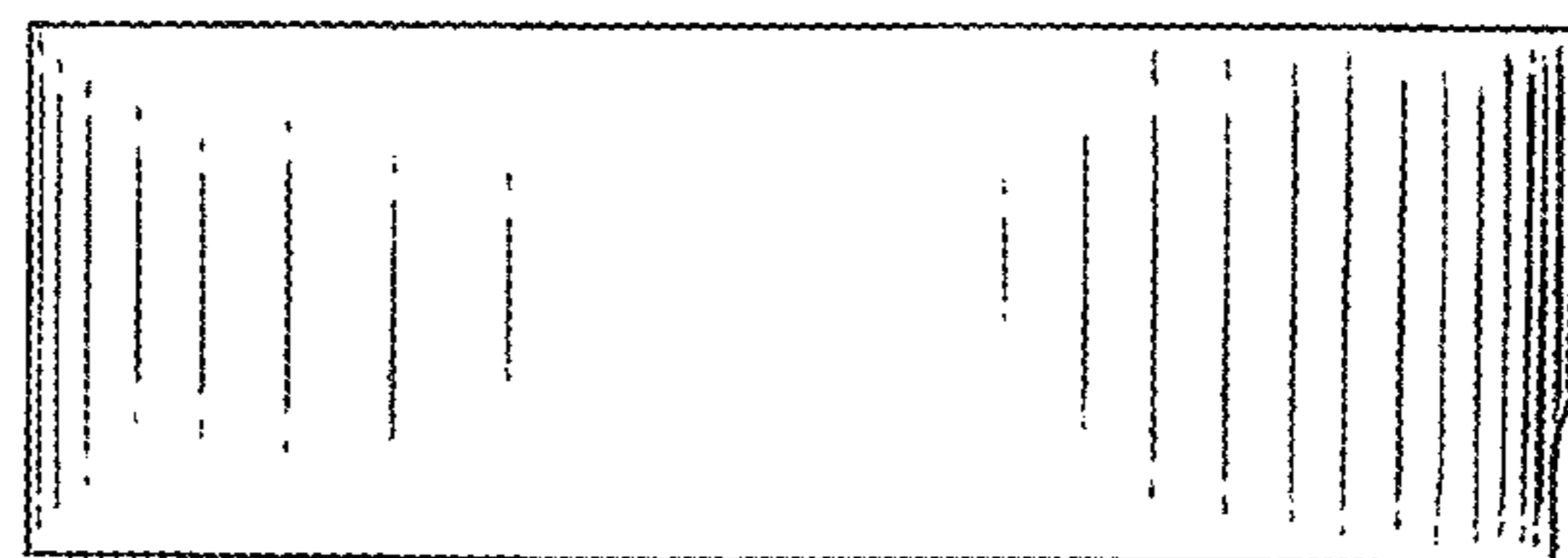


FIG. 7