



US00D797870S

(12) **United States Design Patent**
Horita et al.

(10) **Patent No.:** **US D797,870 S**
(45) **Date of Patent:** **** Sep. 19, 2017**

(54) **FOOT PAD OF AN EXERCISE DEVICE**

(71) Applicant: **Precor Incorporated**, Woodinville, WA
(US)

(72) Inventors: **Sean K. Horita**, Woodinville, WA
(US); **Elijah E. Hooper**, Seattle, WA
(US)

(73) Assignee: **Precor Incorporated**, Woodinville, WA
(US)

(**) Term: **15 Years**

(21) Appl. No.: **29/581,982**

(22) Filed: **Oct. 24, 2016**

(51) **LOC (10) Cl.** **12-02**

(52) **U.S. Cl.**
USPC **D21/694**

(58) **Field of Classification Search**
USPC .. 482/51-52, 54, 57, 66, 68, 70, 72, 79, 80;
D21/662-663, 665-671, 673, 685, 694,
D21/696-697

CPC A63B 2022/0658; A63B 21/015; A63B
22/0605; A63B 21/0004; A63B 23/03525;
A63B 23/03541

See application file for complete search history.

(56) **References Cited**

U.S. PATENT DOCUMENTS

D302,451 S	7/1989	Bull et al.
D303,695 S	9/1989	Smith et al.
D304,358 S	10/1989	Armstrong et al.
D314,597 S	2/1991	Armstrong et al.
D321,229 S	10/1991	Dalton et al.
D328,625 S	8/1992	Arthur et al.
D328,770 S	8/1992	Henderson et al.
D372,282 S	7/1996	Pasero et al.
5,685,804 A	11/1997	Whan-Tong et al.
D388,847 S	1/1998	Whan-tong et al.

D393,298 S *	4/1998	Kuo	D12/122
D406,289 S *	3/1999	Hwang	D21/665
D408,477 S	4/1999	Arnold et al.		
D410,978 S	6/1999	Littrell et al.		
D429,781 S	8/2000	Arnold et al.		
6,123,650 A	9/2000	Birrell		
6,146,313 A	11/2000	Whan-tong et al.		
6,165,107 A	12/2000	Birrell		
6,238,321 B1	5/2001	Arnold et al.		
D449,356 S	10/2001	Arnold et al.		
D464,688 S	10/2002	May et al.		
D464,689 S	10/2002	May et al.		
D465,000 S	10/2002	Arnold et al.		
6,482,130 B1	11/2002	Pasero et al.		
6,749,540 B1	6/2004	Pasero et al.		
6,752,744 B2	6/2004	Arnold et al.		

(Continued)

Primary Examiner — Cynthia Ramirez

Assistant Examiner — Michael Maharajh

(74) *Attorney, Agent, or Firm* — Terence P. O'Brien

(57) **CLAIM**

We claim the ornamental design for a foot pad of an exercise device, as shown and described.

DESCRIPTION

FIG. 1 a side, top perspective view of a foot pad of an exercise device;

FIG. 2 is a first side view of the foot pad of the exercise device of FIG. 1;

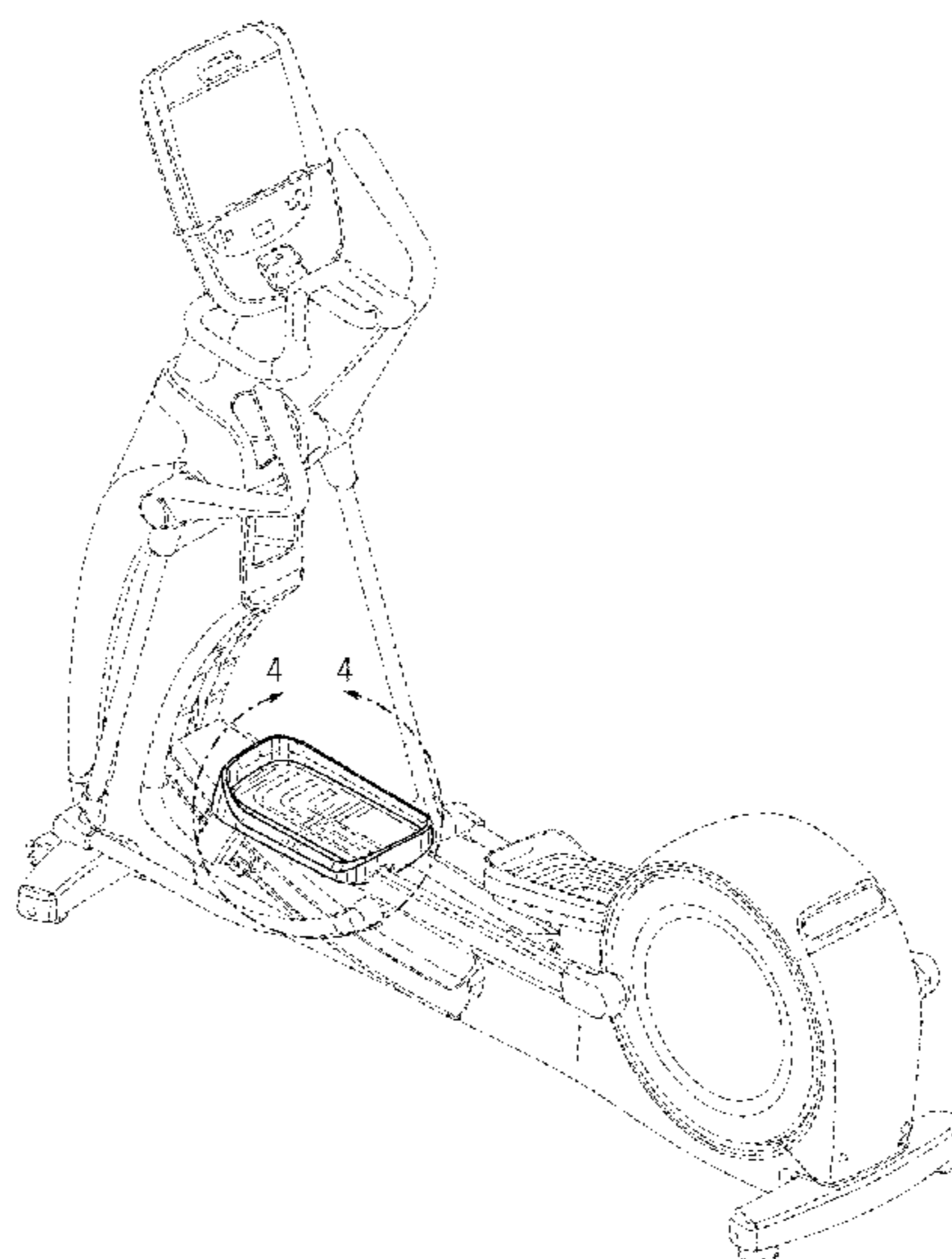
FIG. 3 is a second side view of the foot pad of the exercise device of FIG. 1;

FIG. 4 is a close-up, perspective view of the foot pad of the exercise device of FIG. 1; and,

FIG. 5 is a top plan view of the foot pad of the exercise device of FIG. 4.

The ornamental design that is claimed is shown in solid lines in the drawings. The evenly spaced broken lines shown in the figures are for the purpose of showing environment and form no part of the claimed design.

1 Claim, 4 Drawing Sheets



(56)

References Cited

U.S. PATENT DOCUMENTS

6,939,271 B1	9/2005	Whan-tong et al.		8,419,598 B2	4/2013	Dyer et al.	
D510,965 S *	10/2005	Clark	B62M 3/08	D687,911 S	8/2013	Horita	
			D21/694	D690,375 S	9/2013	Horita	
D559,925 S	1/2008	Horita		D690,784 S	10/2013	Horita	
D565,130 S *	3/2008	Olson	D21/670	8,556,779 B2	10/2013	Grind	
D567,313 S	4/2008	Horita		D703,278 S	4/2014	Hortia	
D567,314 S	4/2008	Horita		9,468,795 B2	10/2016	Arnold et al.	
D567,315 S	4/2008	Horita		D785,730 S *	5/2017	Huang	D21/670
D575,363 S	8/2008	Horita		2005/0164835 A1 *	7/2005	Porth	A63B 22/001
D575,837 S	8/2008	Horita					482/52
D594,072 S	6/2009	Horita		2012/0190507 A1 *	7/2012	Murray	A63B 22/001
D600,293 S	9/2009	Horita					482/52
D606,599 S *	12/2009	Murray	D21/668	2013/0237379 A1 *	9/2013	Huang	A63B 22/001
7,691,034 B2	4/2010	May et al.					482/52
7,704,192 B2	4/2010	Dyer et al.		2014/0221166 A1 *	8/2014	Huang	A63B 22/001
7,731,634 B2	6/2010	Stewart et al.					482/52
7,758,472 B2	7/2010	Stewart		2014/0243157 A1 *	8/2014	Huang	A63B 22/001
7,922,625 B2	4/2011	Grind					482/52
				2015/0080188 A1 *	3/2015	Chuang	A63B 22/0664
							482/52

* cited by examiner

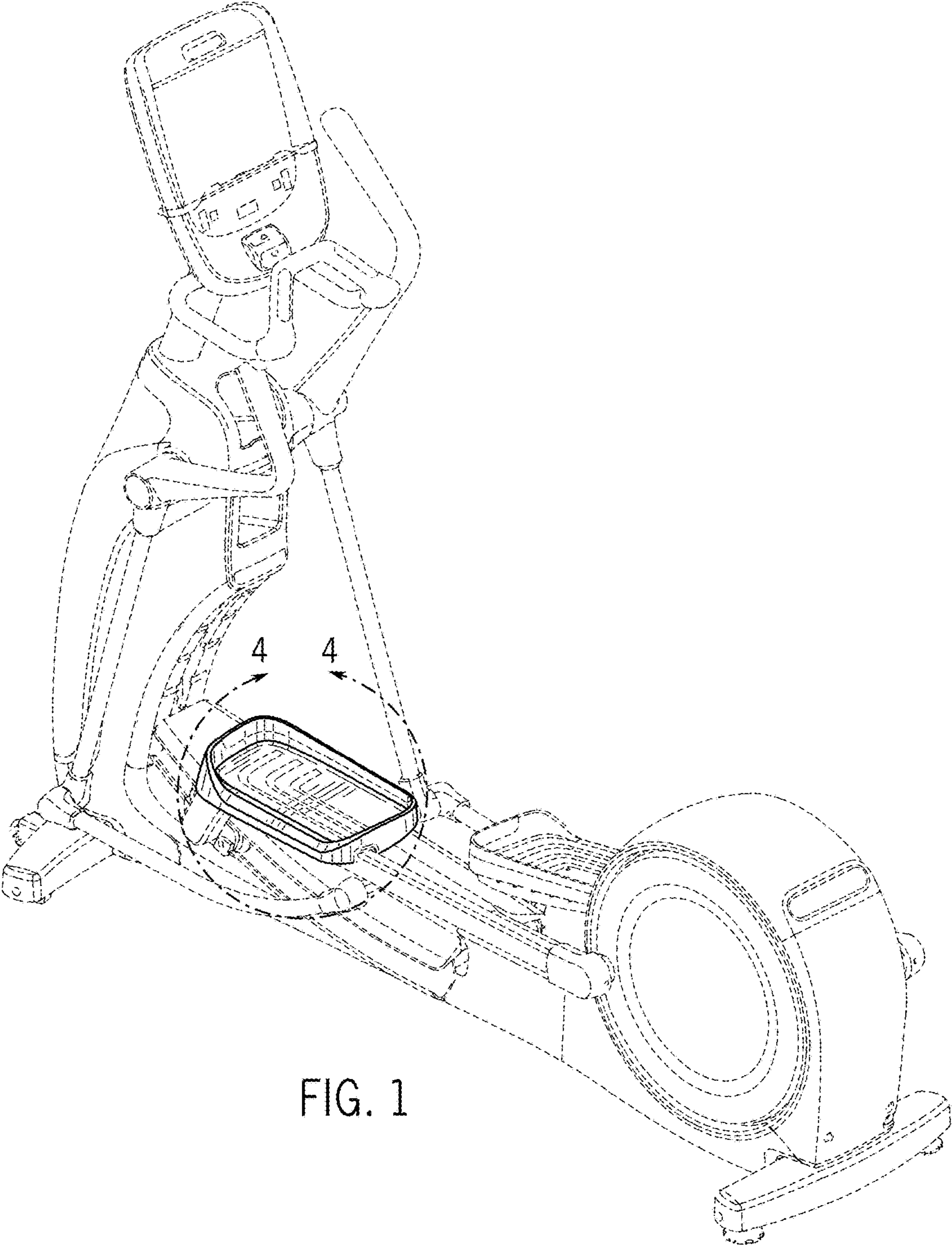


FIG. 1

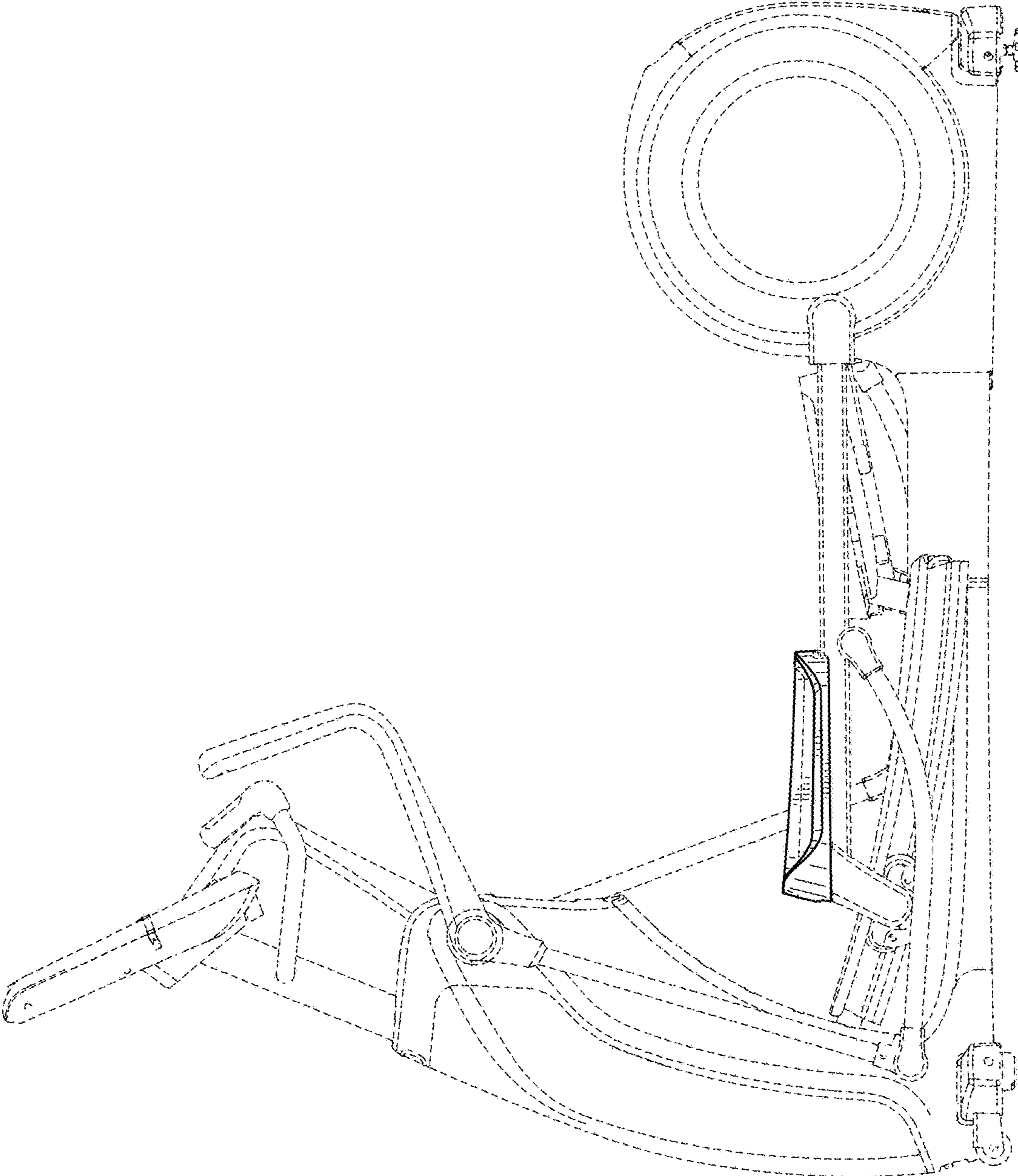
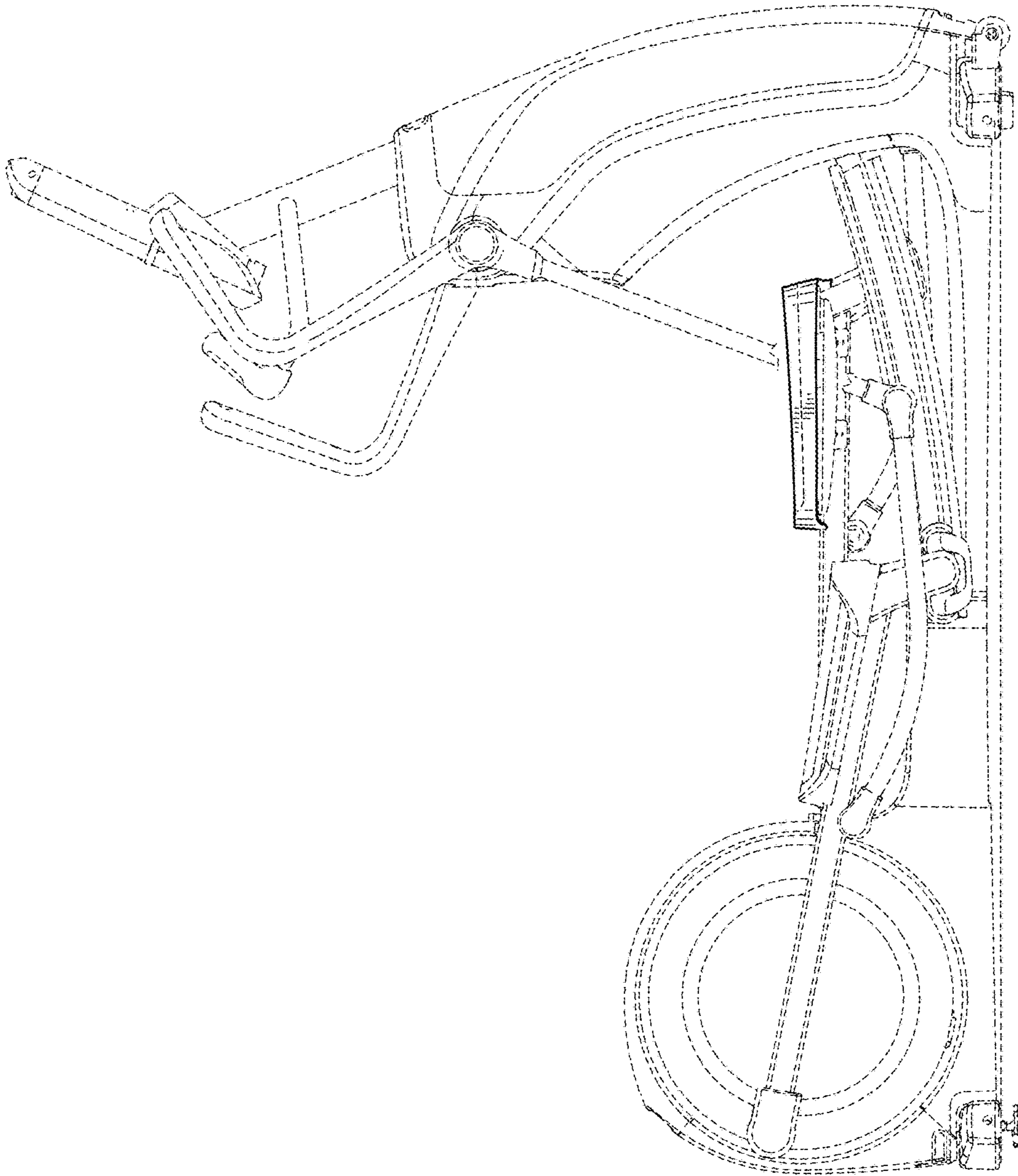


FIG. 2

FIG. 3



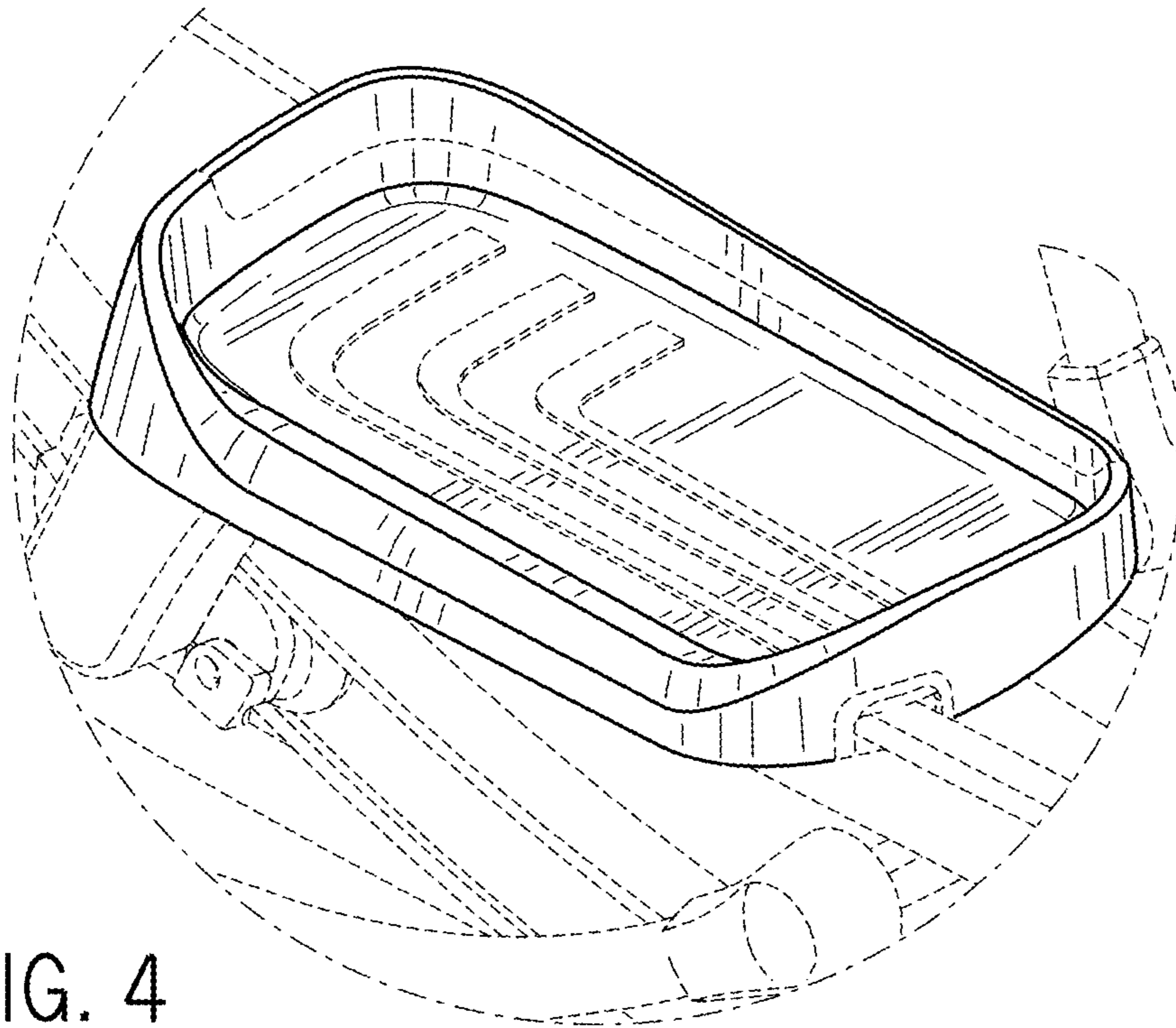


FIG. 4

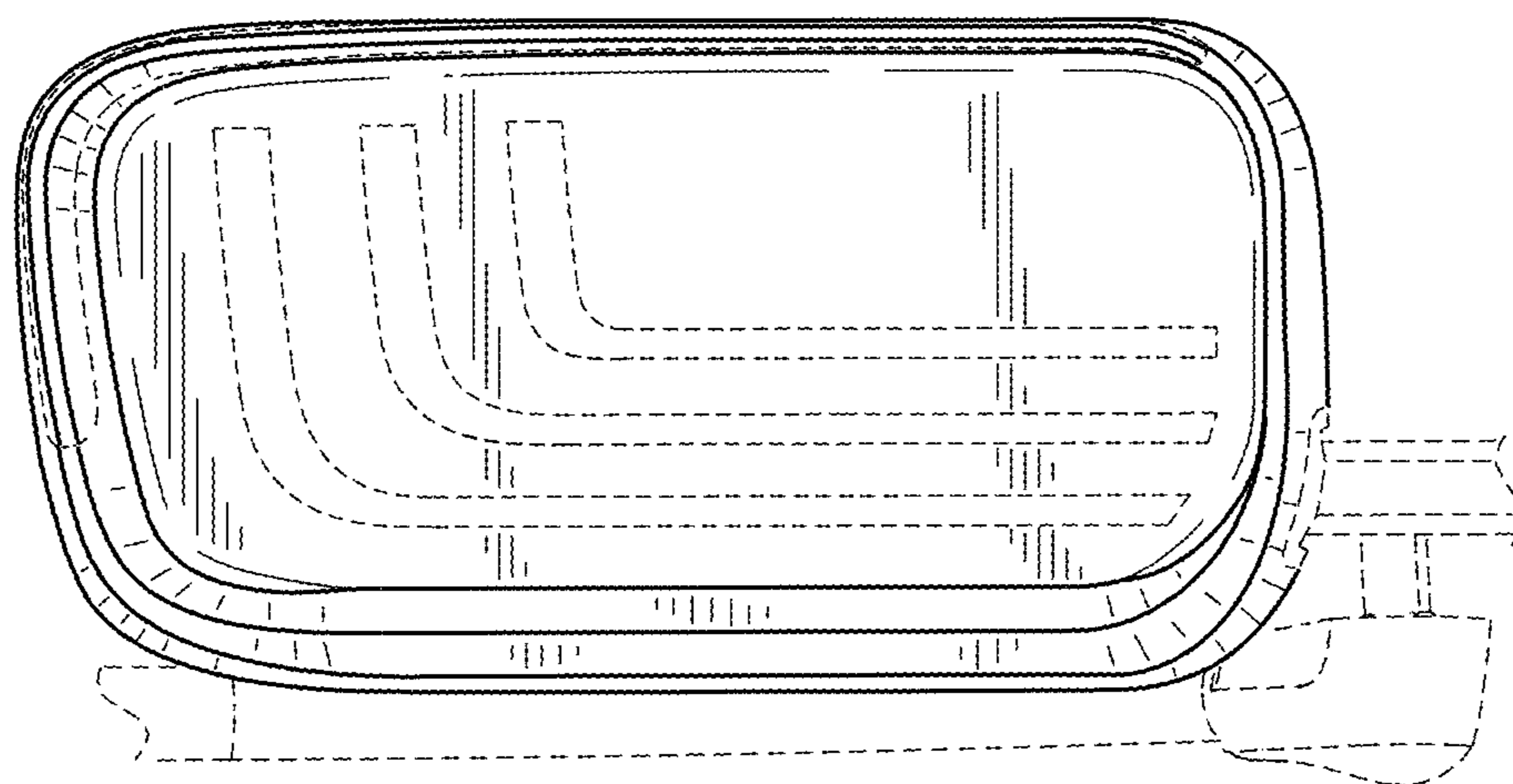


FIG. 5