

US00D797868S

(12) **United States Design Patent** (10) **Patent No.:** **US D797,868 S**
Thomas (45) **Date of Patent:** **** Sep. 19, 2017**

(54) **WEIGHT TRAINING PLATE HOLDER**

(71) Applicant: **Carlton Thomas**, Emmaus, PA (US)

(72) Inventor: **Carlton Thomas**, Emmaus, PA (US)

(**) Term: **15 Years**

(21) Appl. No.: **29/555,683**

(22) Filed: **Feb. 24, 2016**

(51) **LOC (10) Cl.** **21-02**

(52) **U.S. Cl.**
USPC **D21/683**

(58) **Field of Classification Search**
USPC 482/123, 121, 93, 105, 104, 106, 108,
482/100, 83, 87, 88, 126, 130, 133, 142;
D21/801, 803, 760, 662, 683, 680, 798,
D21/682, 686; 441/66, 67, 131;
D12/316, 202; 224/576, 153, 148.2,
224/148.7, 580, 583, 645, 655, 631, 628,
224/633, 637; 2/102; D3/216, 254, 201,
D3/274; D34/28; D8/499
CPC A63B 21/0552; A63B 21/0442; A63B
21/0557; A63B 23/03575; A63B 21/4035;
Y10S 482/904
See application file for complete search history.

(56) **References Cited**

U.S. PATENT DOCUMENTS

4,262,865	A	4/1981	Smith	
4,332,379	A	6/1982	Bannister	
4,591,356	A	5/1986	Christie	
4,944,509	A	7/1990	Snider	
4,948,122	A	8/1990	Andrews, Sr.	
5,120,288	A	6/1992	Sinaki	
5,167,600	A	12/1992	Baird	
5,299,999	A	4/1994	Brine	
5,709,634	A *	1/1998	Pointer A63B 21/0602 482/105
6,047,665	A	4/2000	Deveaux	
7,326,154	B2	2/2008	Foley	

D568,952	S *	5/2008	Foley D21/662
7,490,361	B1	2/2009	Floyd	
D641,435	S *	7/2011	Coote D21/694
D667,063	S *	9/2012	Thompson D21/686
8,795,142	B2	8/2014	McClellan	
D728,044	S *	4/2015	Boatwright D21/694
9,186,538	B1 *	11/2015	Seen A63B 21/072
D774,750	S *	12/2016	Stark D3/216
D780,858	S *	3/2017	Pfaff D21/683
2006/0229173	A1 *	10/2006	Foley A63B 21/06 482/105

(Continued)

OTHER PUBLICATIONS

The load trainer by Rogue dated Feb. 15, 2017. Found online [Jun. 15, 2017] http://www.roguefitness.com/alice-frame-and-load-trainer?gclid=CjwKEAjw4IjKBRDr6p752cCUm3kSJAC-eqRtl-irF7L2Uy7fwRCgQEckKiFXT0OzIXqwbskdi3lfdwhoCs1fw_wcB.*

Primary Examiner — Robert M Spear
Assistant Examiner — Ryan Harvey
(74) *Attorney, Agent, or Firm* — Michael J. Feigin, Esq.;
Feigin and Fridman

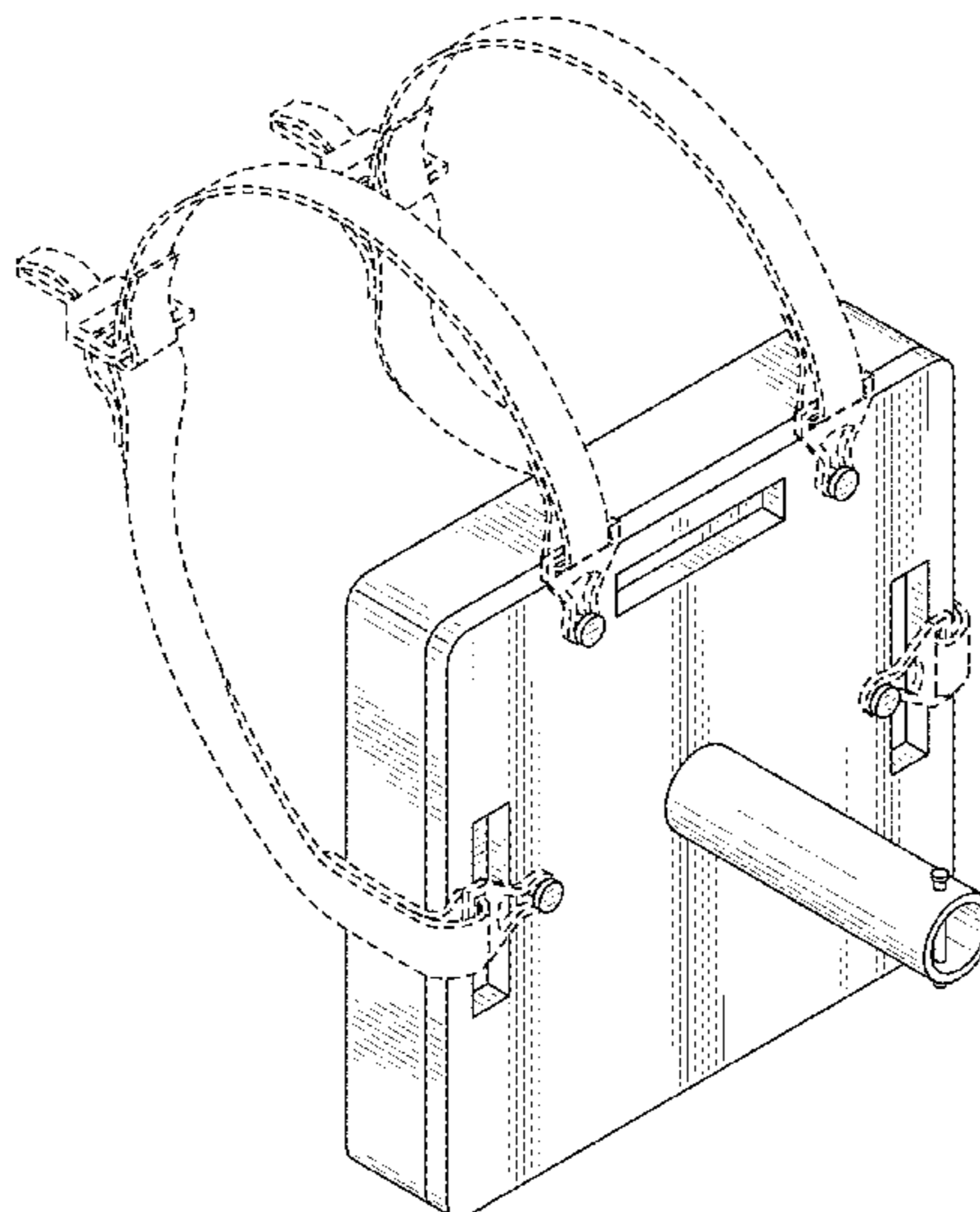
(57) **CLAIM**

The ornamental design for the weight training plate holder.

DESCRIPTION

FIG. 1 shows a top and front perspective view of the weight training plate holder.
FIG. 2 shows a bottom and rear perspective view thereof.
FIG. 3 shows a front elevation view thereof.
FIG. 4 shows a rear elevation view thereof.
FIG. 5 shows a top plan view thereof; and,
FIG. 6 shows a side elevation view thereof, the opposite side elevation view being a mirror image thereof.
The broken line showing of portions of the weight training plate holder depicts environment and forms no part of the claim.

1 Claim, 6 Drawing Sheets



(56)

References Cited

U.S. PATENT DOCUMENTS

2010/0032464 A1* 2/2010 Gleason, Jr. A45F 3/08
224/631
2011/0183819 A1* 7/2011 Pharoe A63B 21/4025
482/105
2012/0028768 A1* 2/2012 McClellan
Fortner A63B 21/00072
482/105
2012/0151656 A1 6/2012 Irwin
2012/0289385 A1 11/2012 Marji
2015/0335938 A1* 11/2015 Seen A63B 21/15
482/105

* cited by examiner

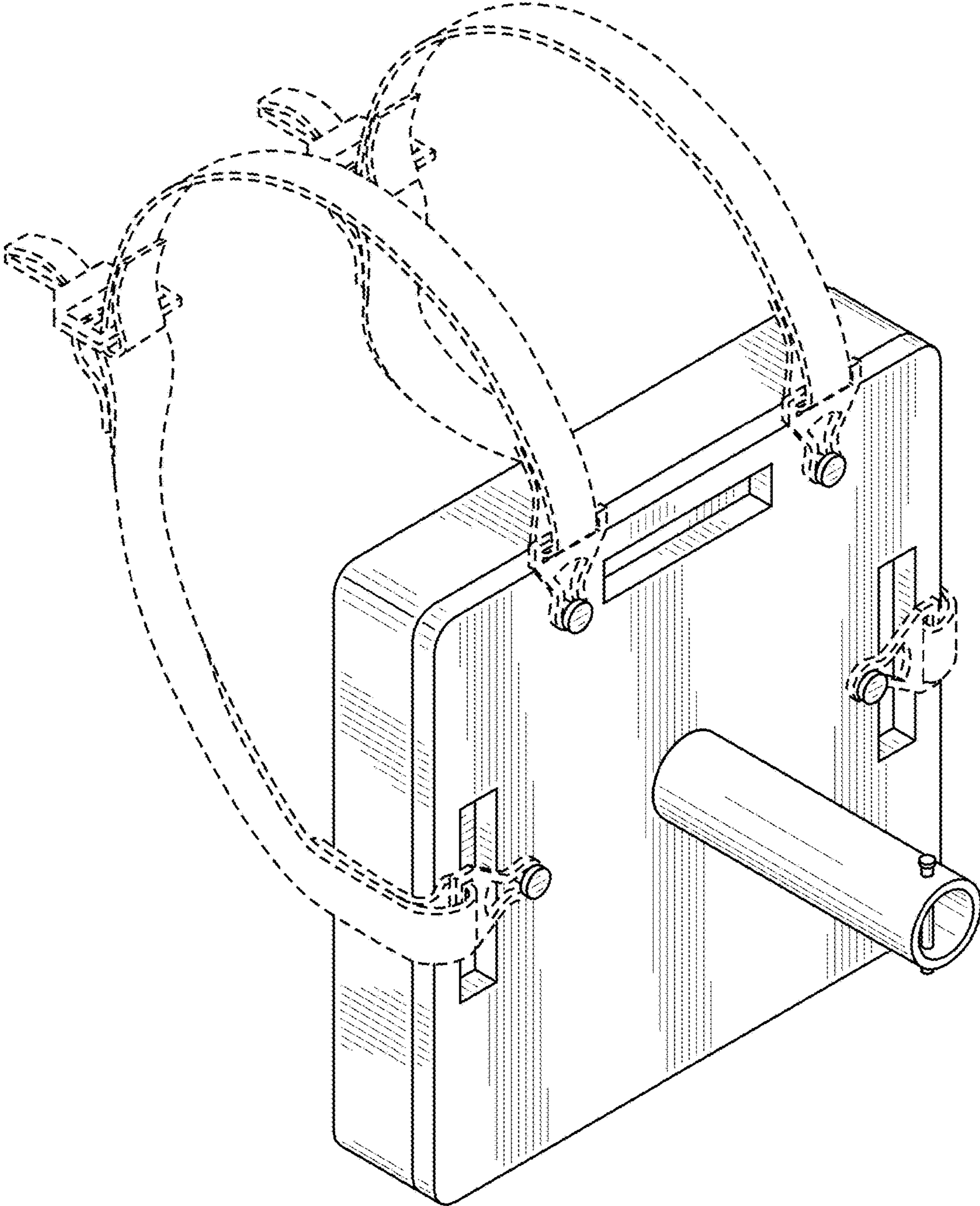


FIG. 1

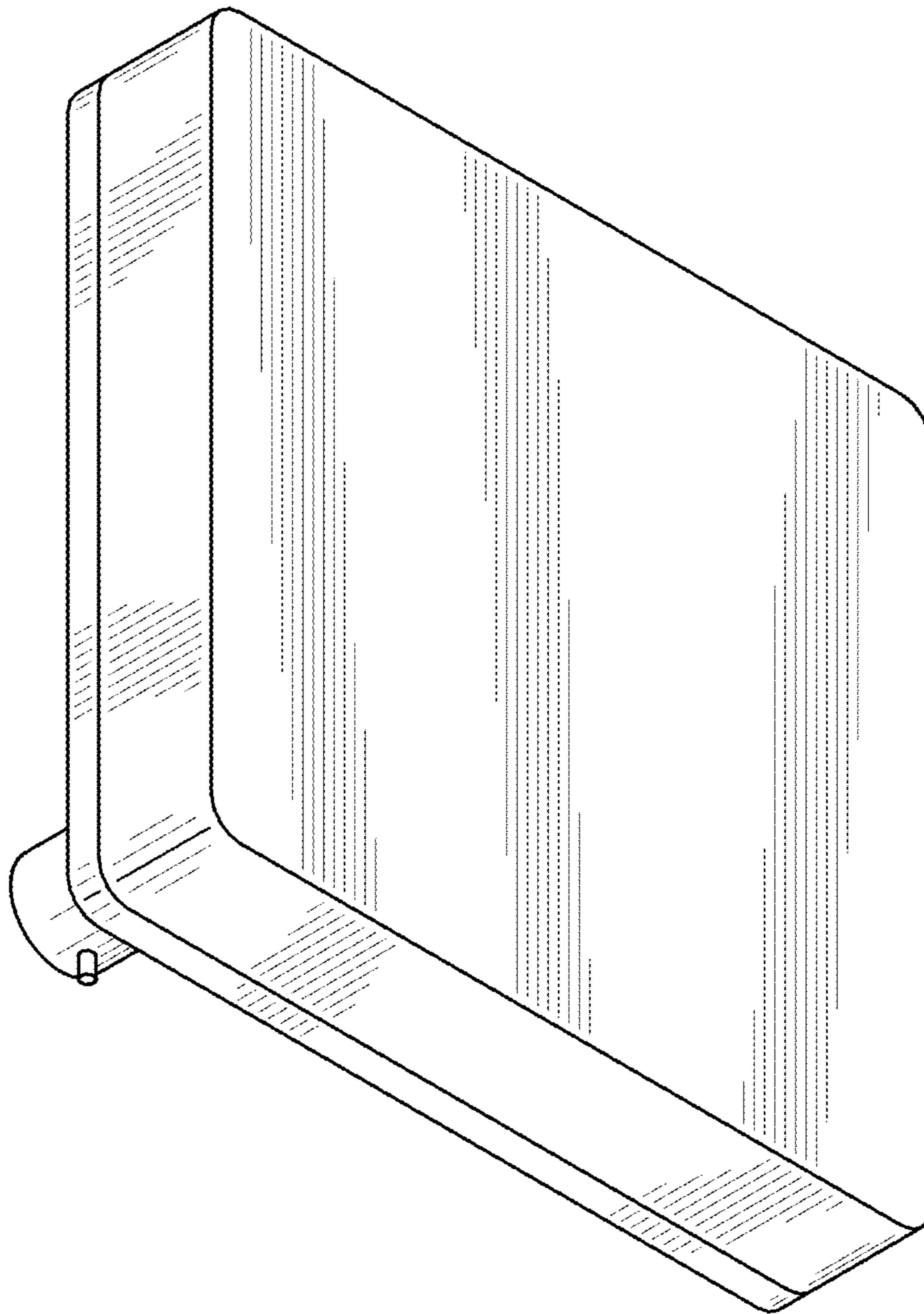


FIG. 2

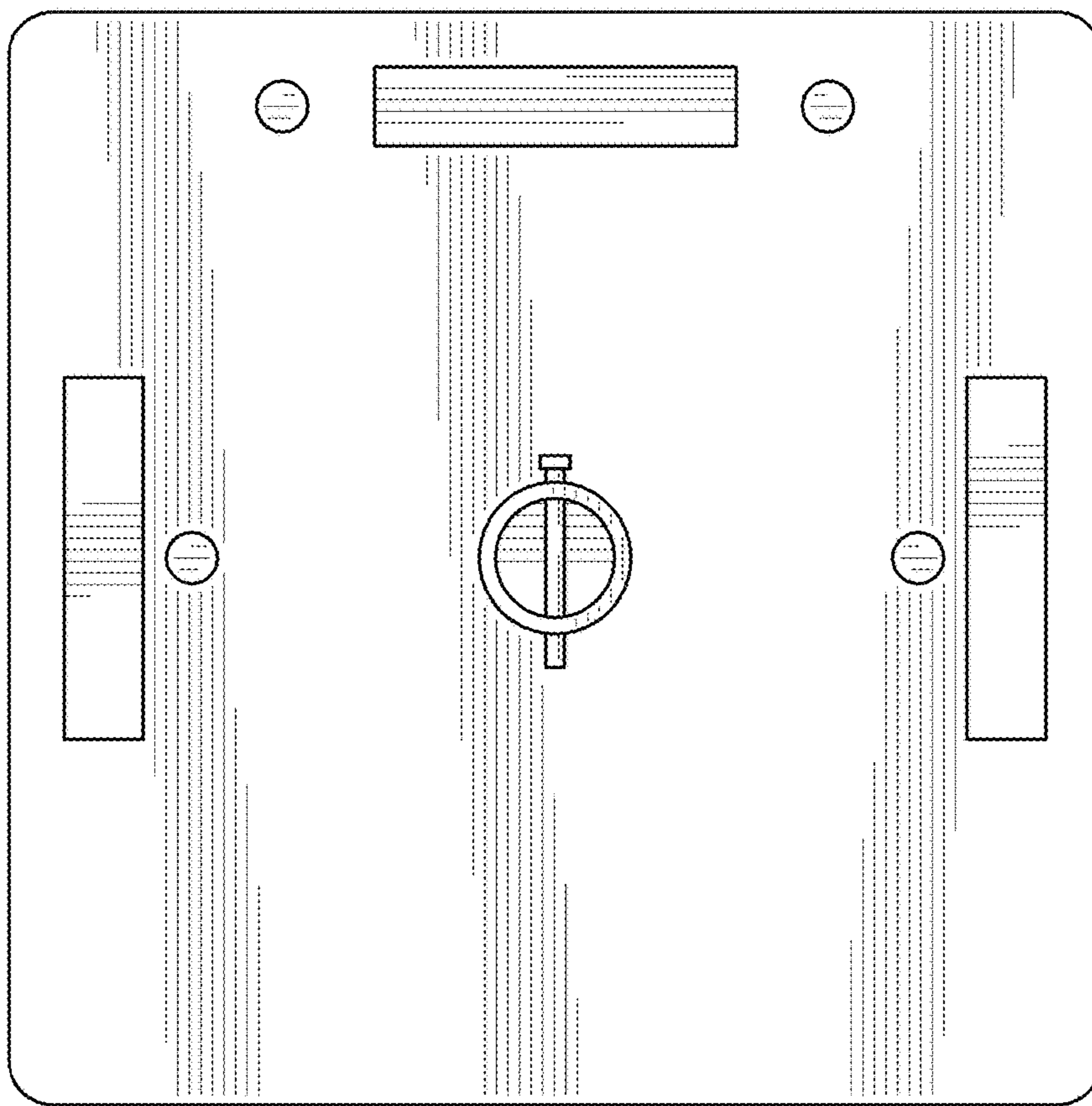


FIG. 3

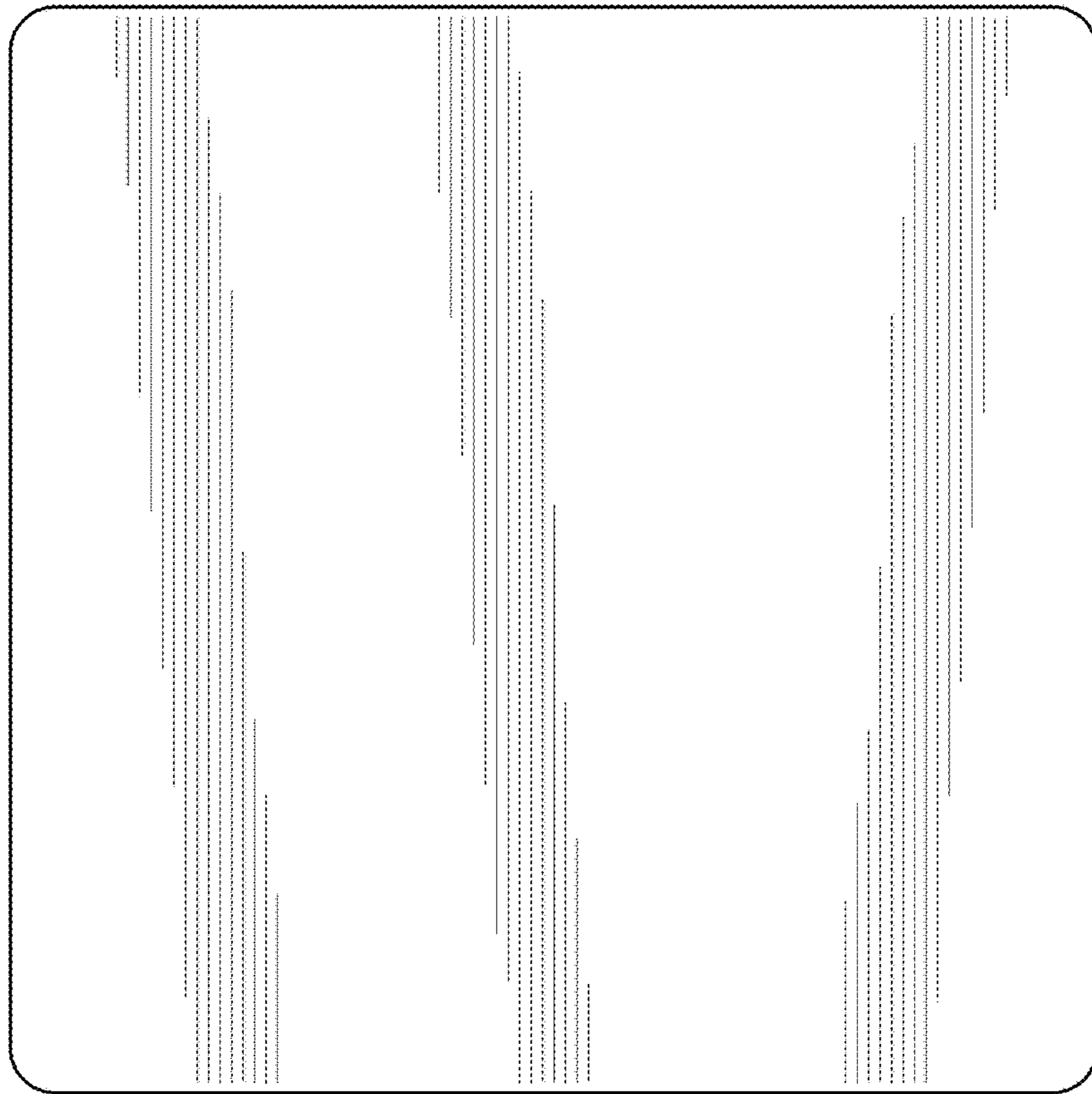


FIG. 4

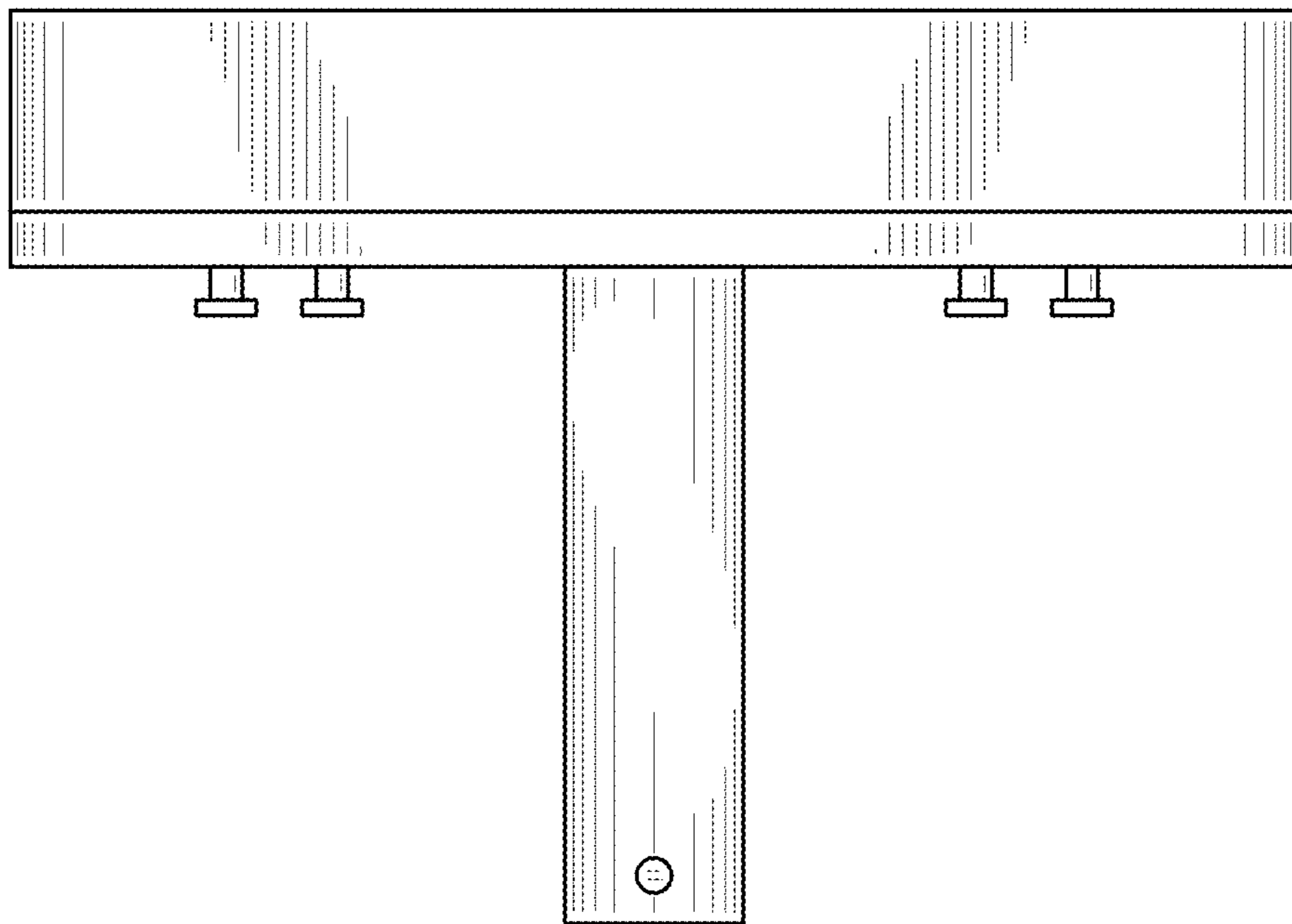


FIG. 5

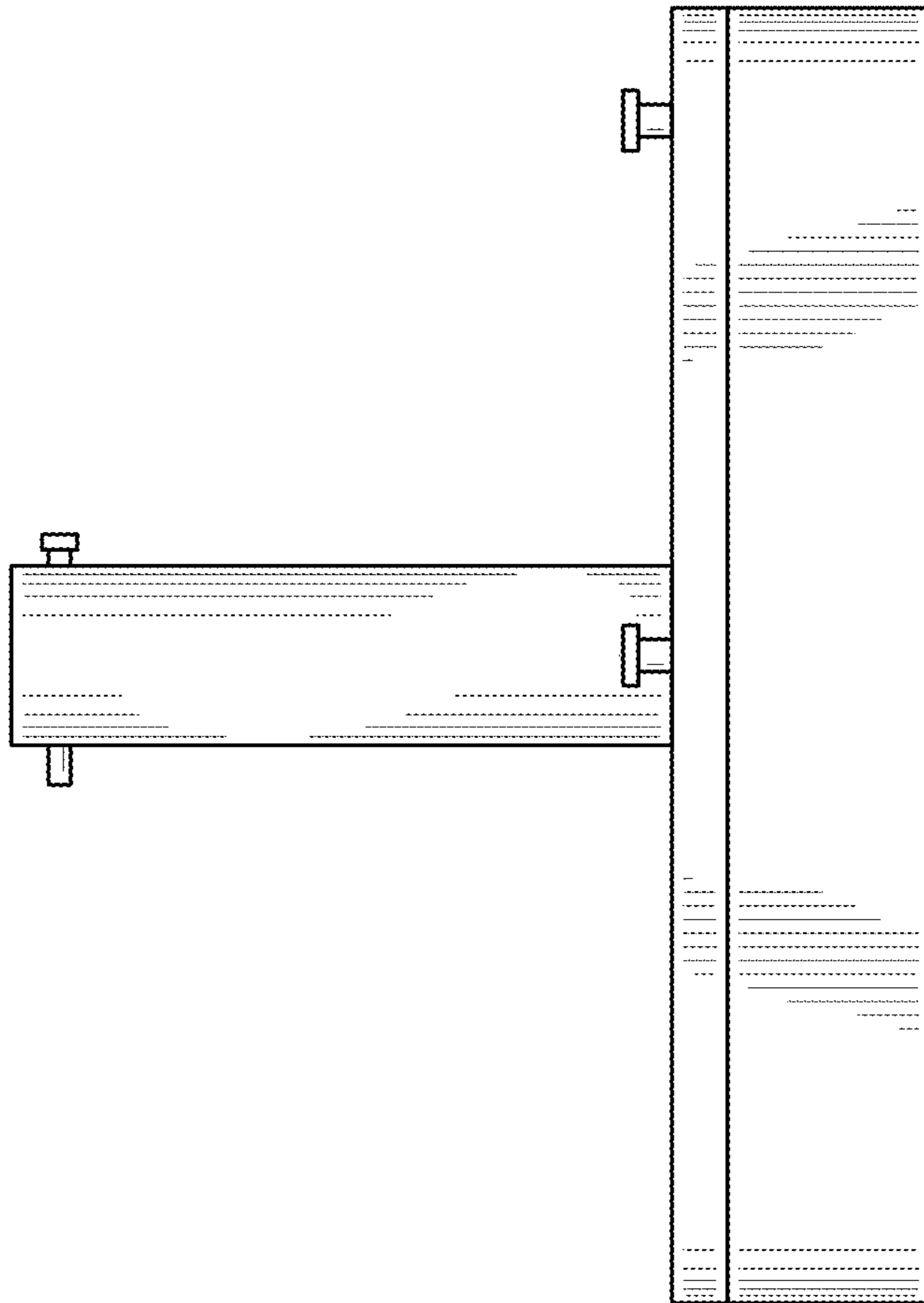


FIG. 6