

US00D797866S

(12) **United States Design Patent**
Yi-Tzu

(10) **Patent No.:** **US D797,866 S**

(45) **Date of Patent:** **** Sep. 19, 2017**

(54) **STATIONARY PEDAL MACHINE**

(71) Applicant: **High Street TV (Group) Limited,**
Harrogate, North Yorkshire (GB)

(72) Inventor: **Chen Yi-Tzu,** Harrogate (GB)

(73) Assignee: **High Street TV (Group) Limited,**
Harrogate (GB)

(**) Term: **15 Years**

(21) Appl. No.: **29/532,598**

(22) Filed: **Jul. 8, 2015**

(30) **Foreign Application Priority Data**

Mar. 31, 2015 (EM) 002673368

(51) **LOC (10) Cl.** **21-02**

(52) **U.S. Cl.**
USPC **D21/663**

(58) **Field of Classification Search**

USPC D21/663, 667, 666, 697, 694, 665, 668,
D21/664, 690, 676; 482/61, 57, 58, 127,
482/133, 51, 9, 60, 904, 8, 1, 900, 63,
482/908, 59, 62, 64, 53, 91, 103, 131,
482/142, 907, 130; 74/502.4, 502.6,
74/594.2, 594.1, 48; D12/178, 411, 345;
D23/382, 381, 378, 412, 411; D13/115;
D15/7

CPC . A63B 22/0605; A63B 21/225; A63B 22/001;
A63B 22/0664; A63B 2225/09; A63B
2022/0676; A63B 2022/067; A63B
21/015; A63B 2022/0652; Y10T 74/2164

See application file for complete search history.

(56) **References Cited**

U.S. PATENT DOCUMENTS

D206,334 S * 11/1966 Ryan D12/107
D231,442 S * 4/1974 Douglas 280/266
D289,985 S * 5/1987 Davenport D12/107

D344,776 S * 3/1994 Lertyaovarit D21/667
D401,644 S * 11/1998 Chen D21/663
6,102,834 A * 8/2000 Chen A63B 21/0055
280/281.1
6,273,845 B1 * 8/2001 Liou A63B 21/0051
188/164
D463,835 S * 10/2002 Nishizawa D21/663
D480,120 S * 9/2003 Arai D21/666
D569,459 S * 5/2008 Bingham, Jr. D21/697
D611,999 S * 3/2010 Stankard D21/662
D615,136 S * 5/2010 Jenkins D21/662

(Continued)

OTHER PUBLICATIONS

Cycle Tone by HighStreet dated no date given. Found online [Nov. 12, 2016] <http://www.highstreettv.com/fitness/cycle-tone-system.html>.*

Primary Examiner — Robert M Spear

Assistant Examiner — Ryan Harvey

(74) *Attorney, Agent, or Firm* — Michael Best & Friedrich LLP

(57) **CLAIM**

I claim the ornamental design for a stationary pedal machine, as shown and described.

DESCRIPTION

FIG. 1 is a perspective view of a stationary pedal machine showing my new design.

FIG. 2 is a front view of the stationary pedal machine shown in FIG. 1.

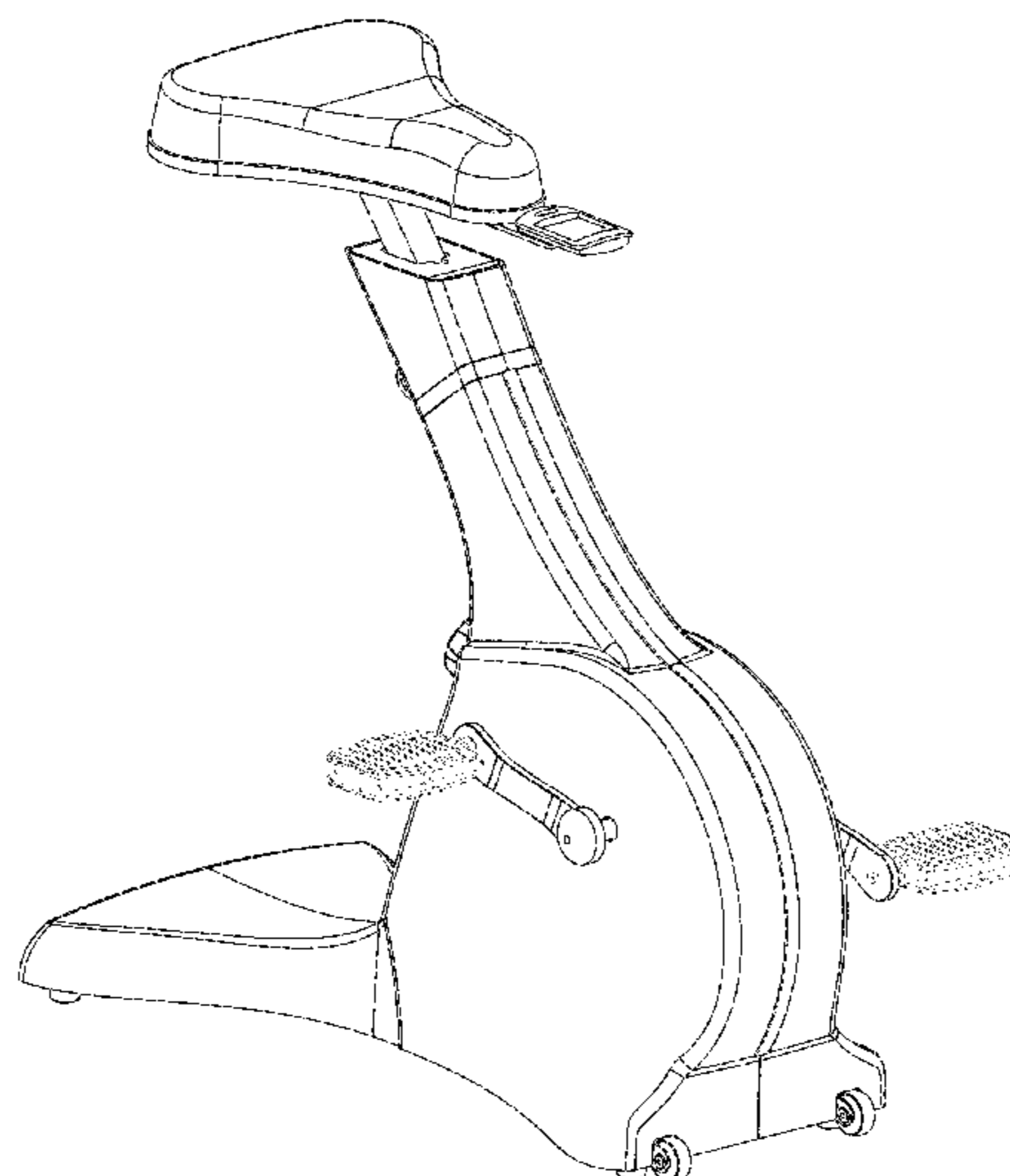
FIG. 3 is a back view of the stationary pedal machine shown in FIG. 1.

FIG. 4 is a right side view of the stationary pedal machine shown in FIG. 1.

FIG. 5 is a left side view of the stationary pedal machine shown in FIG. 1; and,

FIG. 6 is a top view of the stationary pedal machine shown in FIG. 1.

1 Claim, 6 Drawing Sheets



(56)

References Cited

U.S. PATENT DOCUMENTS

D672,827 S * 12/2012 Alessandri D21/663
D728,707 S * 5/2015 Colburn D21/663
D750,182 S * 2/2016 Takaoka D21/663

* cited by examiner

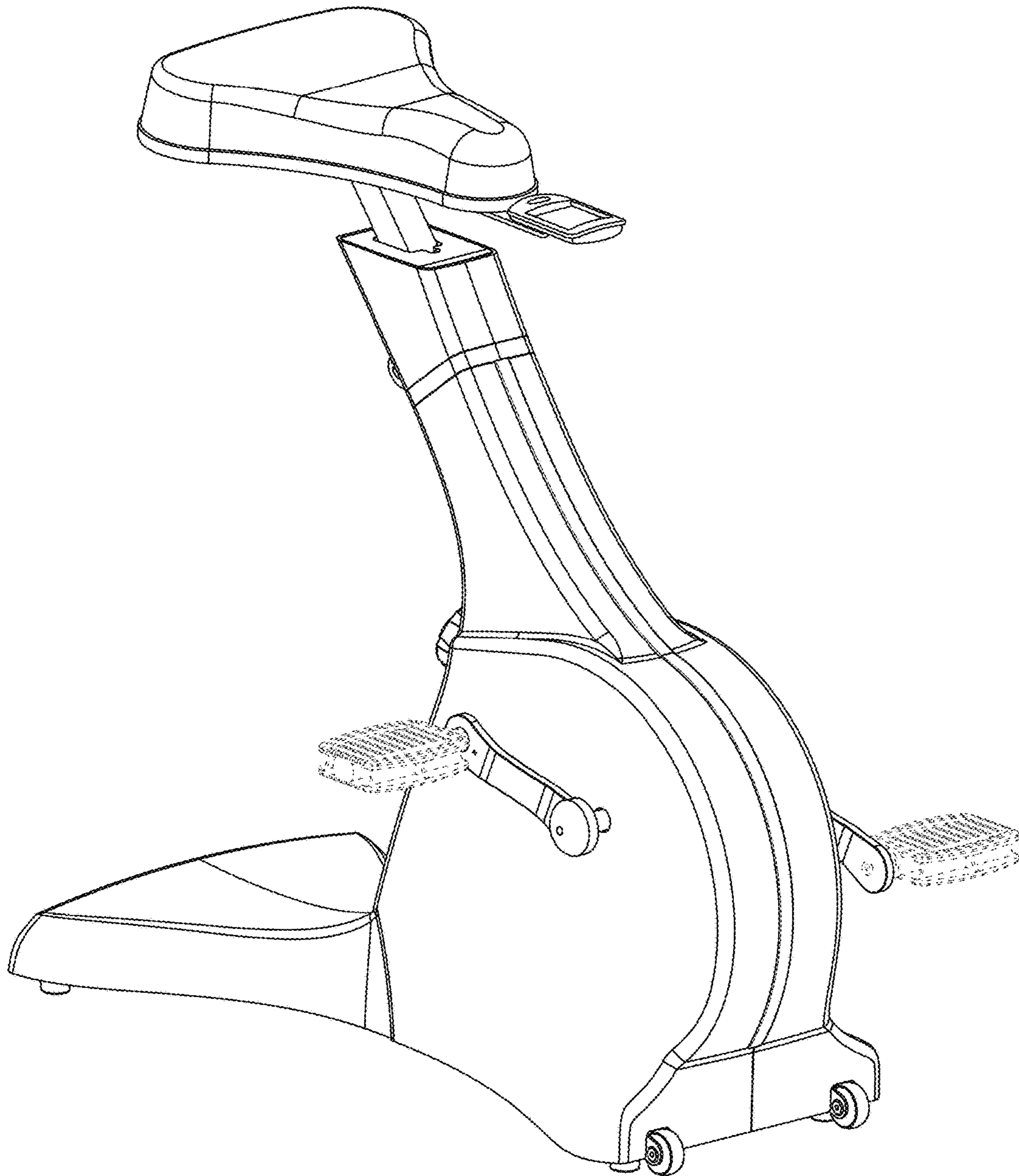


FIG. 1

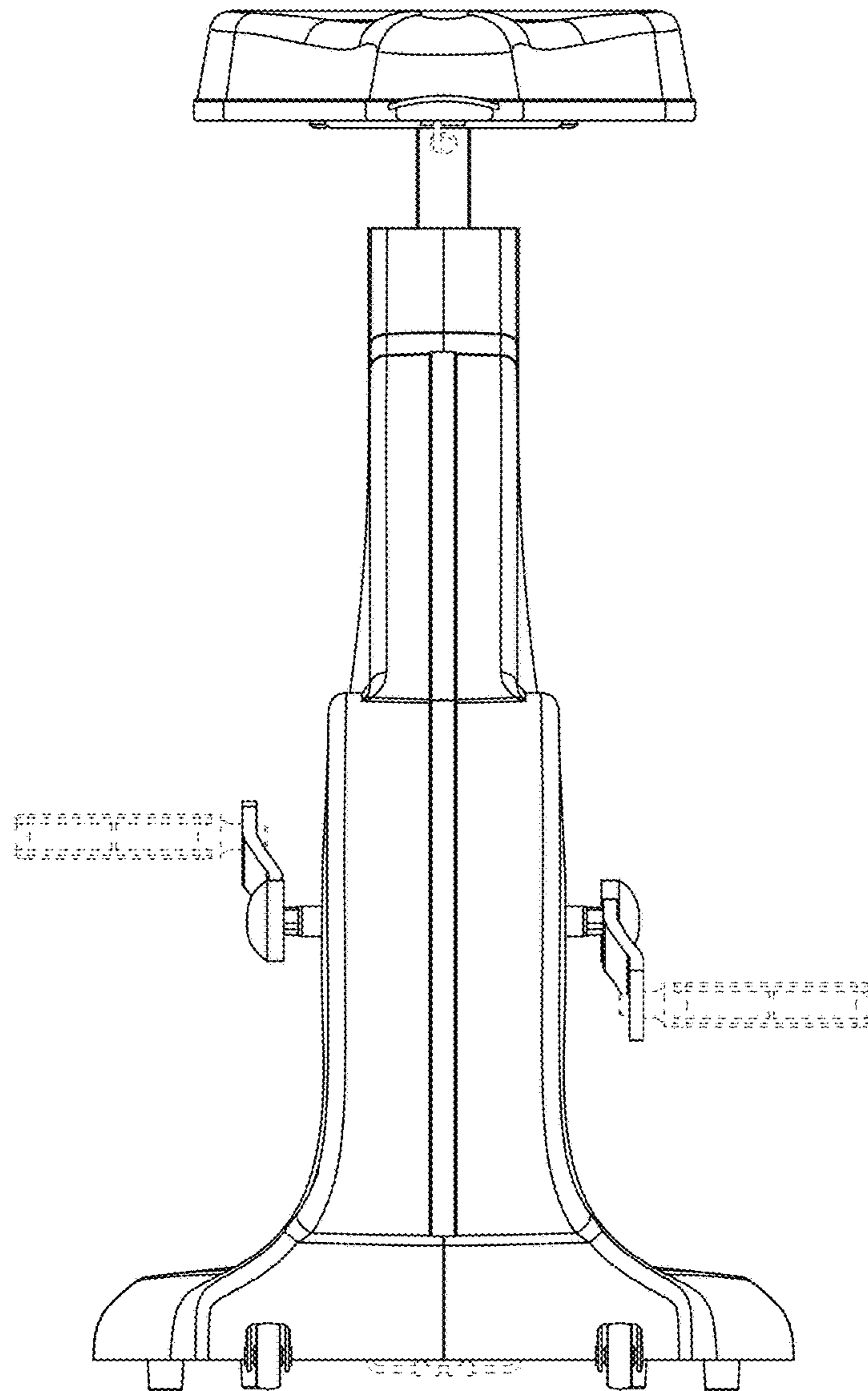


FIG. 2

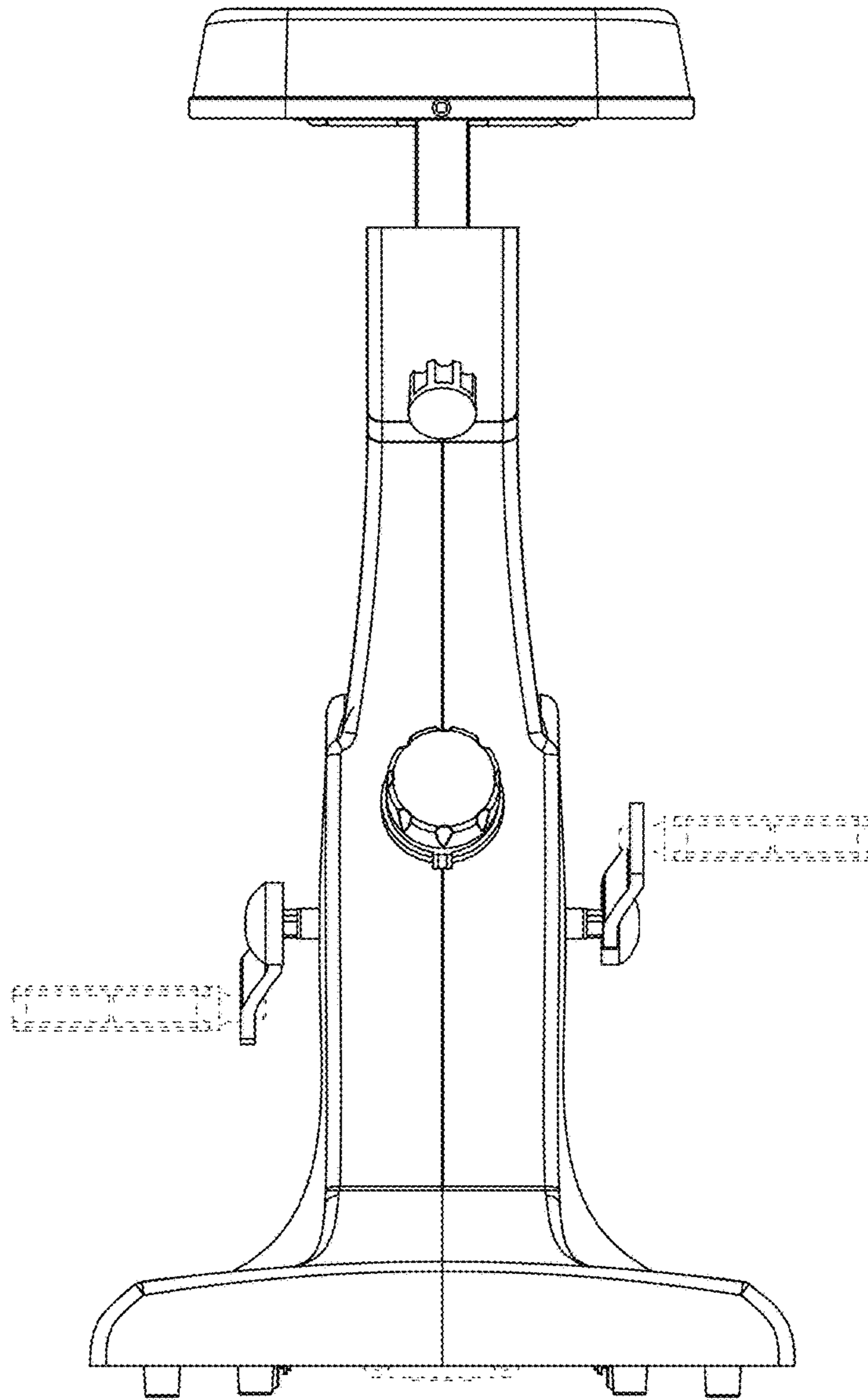


FIG. 3

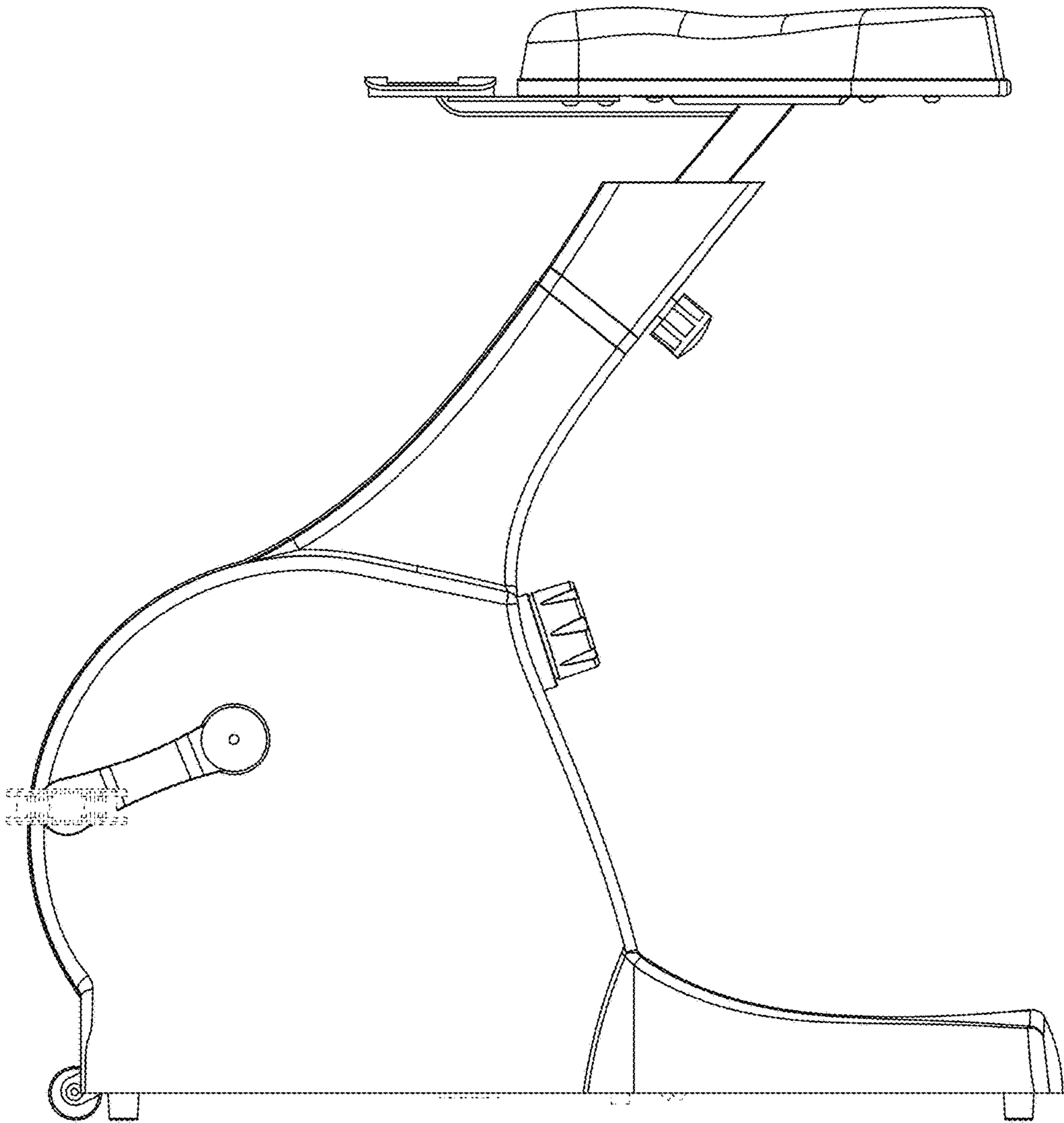


FIG. 4

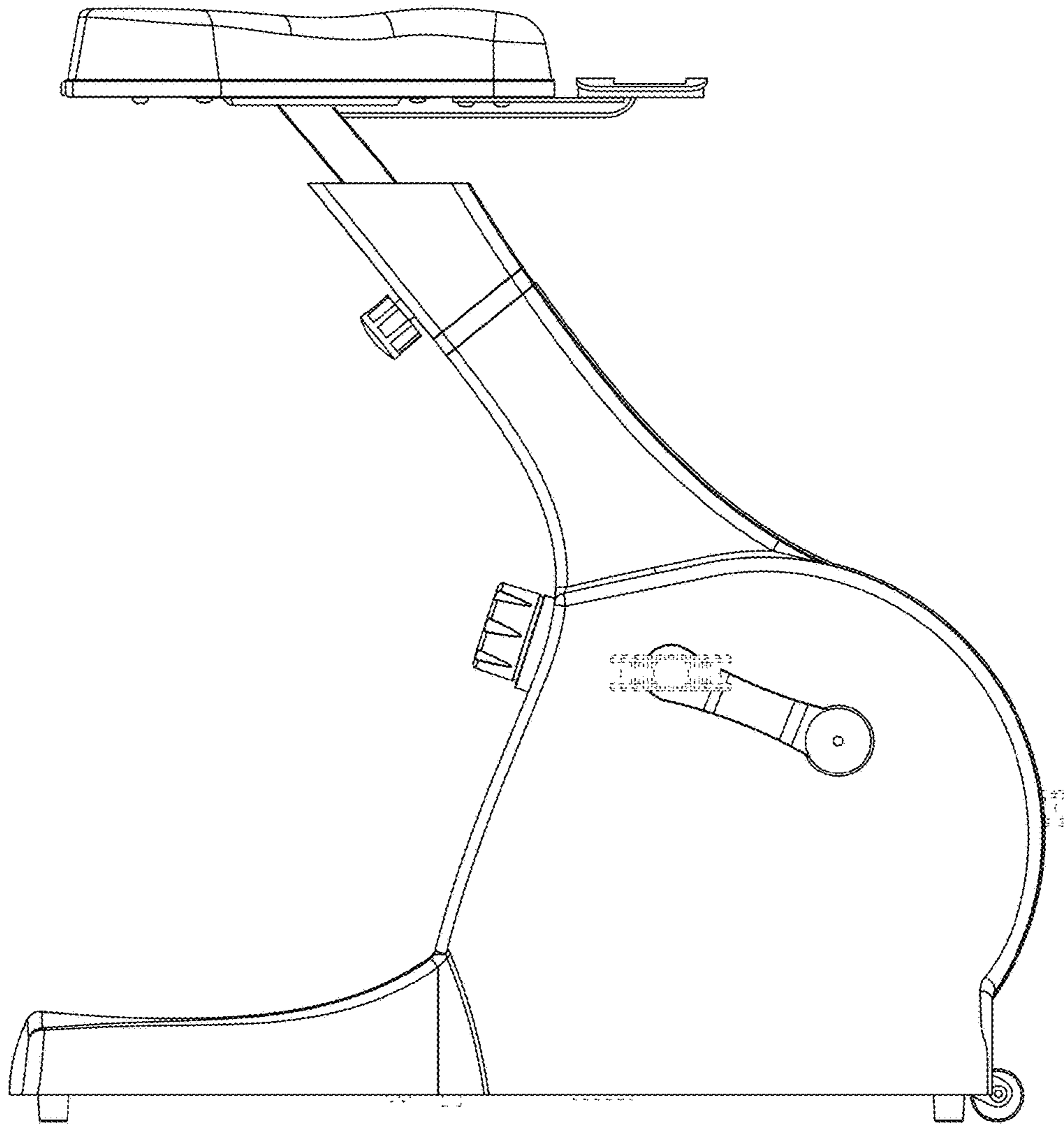


FIG. 5

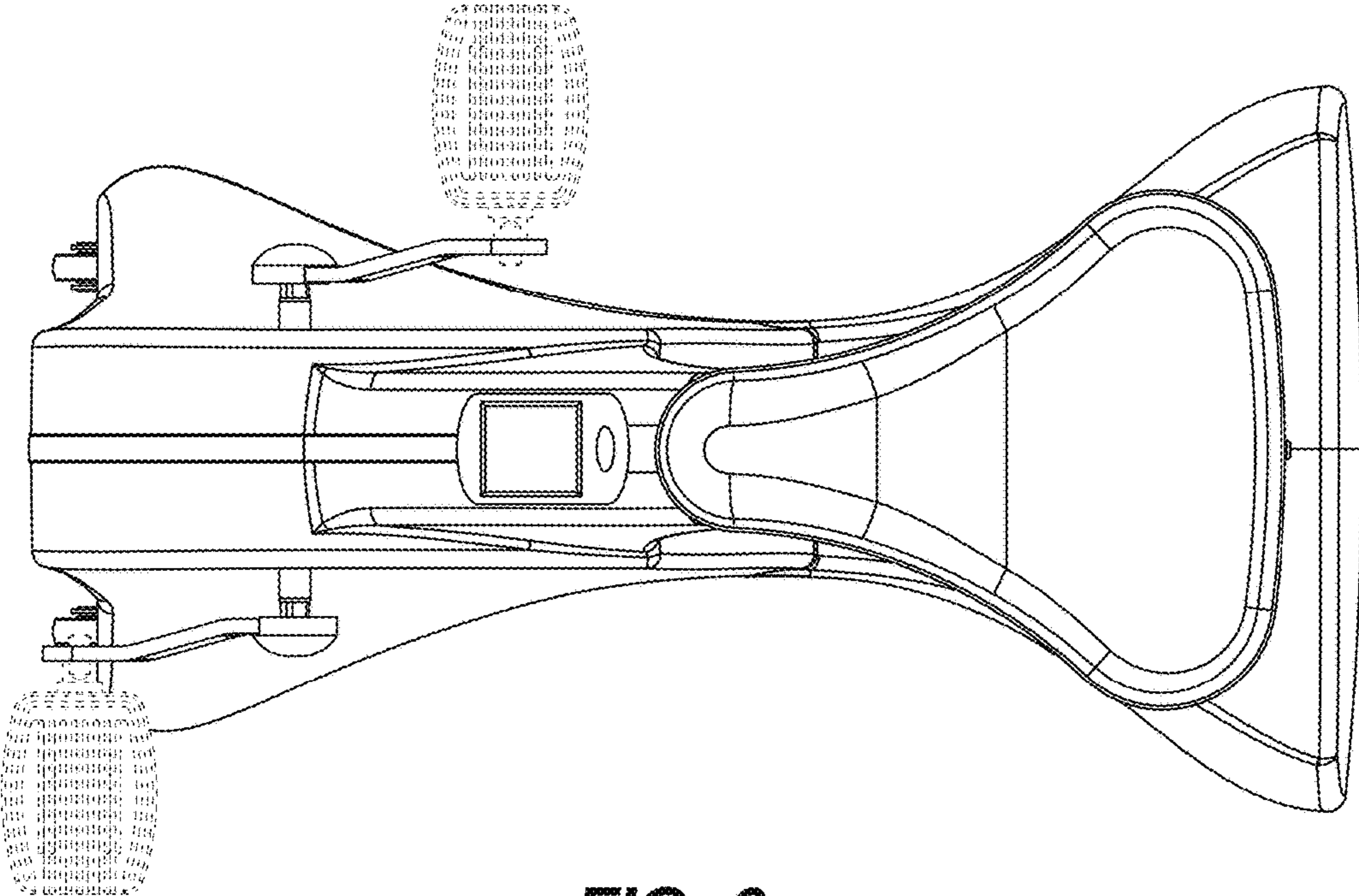


FIG. 6