



US00D797860S

(12) **United States Design Patent** (10) **Patent No.:** **US D797,860 S**  
**Ewing et al.** (45) **Date of Patent:** **\*\* \*Sep. 19, 2017**

- (54) **TRANSDUCER MOUNT**
- (71) Applicant: **TRAXXAS LP**, McKinney, TX (US)
- (72) Inventors: **Adam Cole Ewing**, McKinney, TX (US); **Jory Sprowl**, Wolfe City, TX (US); **Otto Karl Allmendinger**, Rowlett, TX (US)
- (73) Assignee: **TRAXXAS LP**, McKinney, TX (US)
- (\*) Notice: This patent is subject to a terminal disclaimer.
- (\*\*) Term: **15 Years**
- (21) Appl. No.: **29/547,021**
- (22) Filed: **Nov. 30, 2015**

**Related U.S. Application Data**

- (62) Division of application No. 29/504,076, filed on Oct. 1, 2014, now Pat. No. Des. 751,155.
- (51) **LOC (10) Cl.** ..... **21-01**
- (52) **U.S. Cl.**  
USPC ..... **D21/561**; D14/224
- (58) **Field of Classification Search**  
USPC ..... D14/224; D21/561, 562, 563  
CPC ..... H04R 1/02; H04R 1/021; H04R 1/025;  
A63H 29/00; A63H 29/22  
See application file for complete search history.

(56) **References Cited**

**U.S. PATENT DOCUMENTS**

- 4,146,110 A \* 3/1979 Maloney ..... H04R 1/24  
181/147
- D256,915 S \* 9/1980 Needleman ..... D14/224
- 4,252,211 A \* 2/1981 Matsuda ..... H04R 1/22  
181/166
- 4,633,972 A \* 1/1987 DeRocher ..... H04R 1/025  
181/141
- D318,671 S \* 7/1991 Naumann ..... D14/221

- D451,909 S \* 12/2001 Mackie ..... D14/224
- D455,733 S 4/2002 Stompler
- D468,729 S 1/2003 Takayama
- D472,232 S 3/2003 Stompler
- D483,743 S 12/2003 Vosse
- D483,744 S 12/2003 Vosse
- 6,707,925 B1 \* 3/2004 Breithaupt ..... B60R 11/0217  
181/171
- 7,364,009 B2 \* 4/2008 Sperle ..... H04R 1/025  
181/150
- D570,336 S 6/2008 Suzuki
- D582,399 S 12/2008 Venier et al.
- D644,634 S \* 9/2011 Cywan ..... D14/224

(Continued)

**OTHER PUBLICATIONS**

Dayton Audio; "Tech Note: Understanding Exciters—Principles and Applications"; Dayton Audio, Springboro, Ohio; daytonaudio.com; Apr. 21, 2014.

*Primary Examiner* — Cynthia M Chin

(74) *Attorney, Agent, or Firm* — CARR Law Firm PLLC

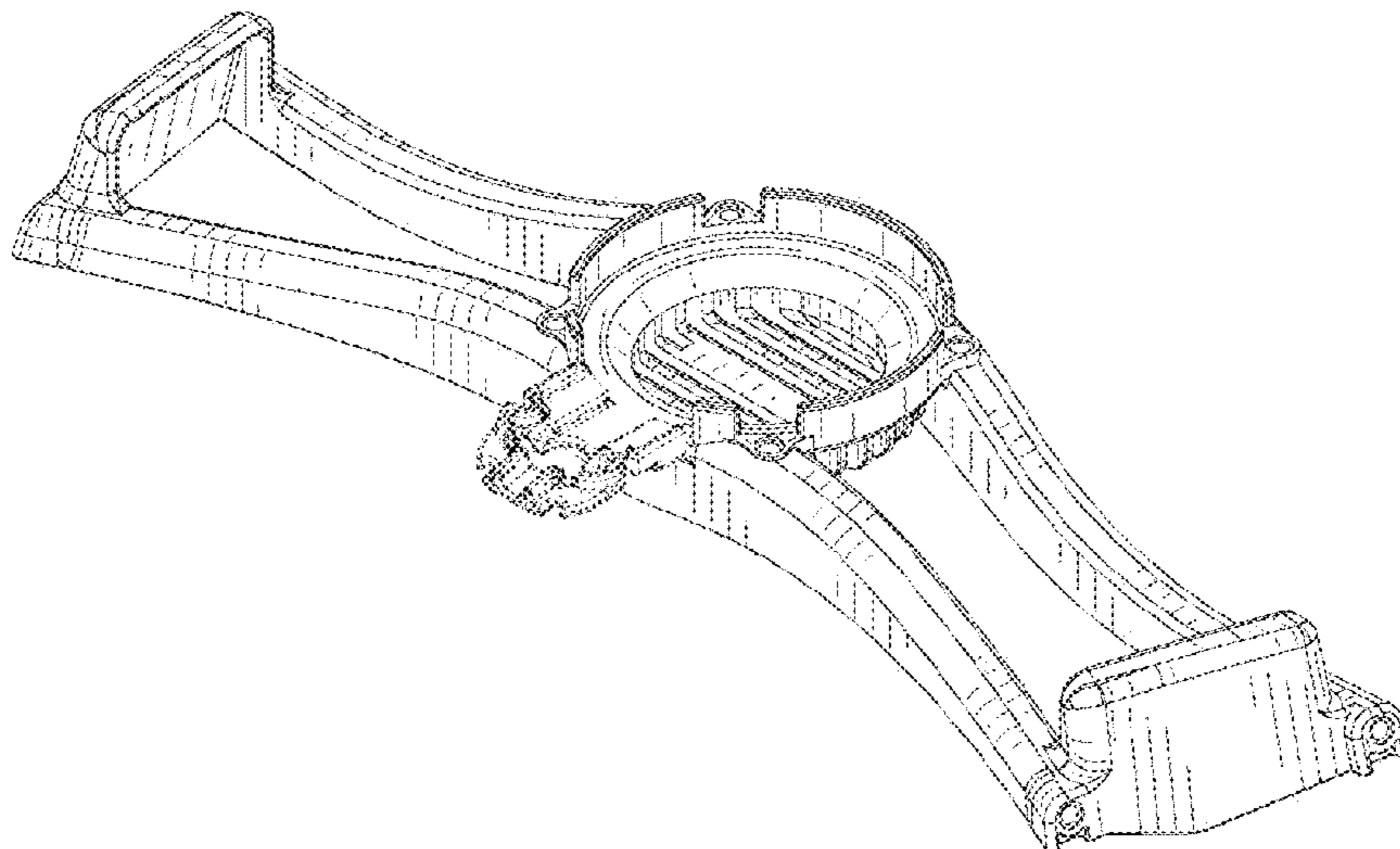
(57) **CLAIM**

We claim the ornamental design for a transducer mount, as shown and described.

**DESCRIPTION**

FIG. 1 is a, top, left, front perspective view of a transducer mount;  
 FIG. 2 is a bottom, right, front perspective view thereof;  
 FIG. 3 is a top plan view thereof;  
 FIG. 4 is a front elevation view thereof;  
 FIG. 5 is a bottom plan view thereof;  
 FIG. 6 is a left side elevation view thereof;  
 FIG. 7 is a right side elevation view thereof; and,  
 FIG. 8 is a rear elevation view thereof.  
 Structural elements depicted by broken lines have been shown for the purpose of illustrating portions of the transducer mount that form no part of the claimed design.

**1 Claim, 3 Drawing Sheets**



(56)

**References Cited**

U.S. PATENT DOCUMENTS

D691,596 S \* 10/2013 Fuller ..... D14/224  
2013/0288566 A1 10/2013 Filoseta

\* cited by examiner

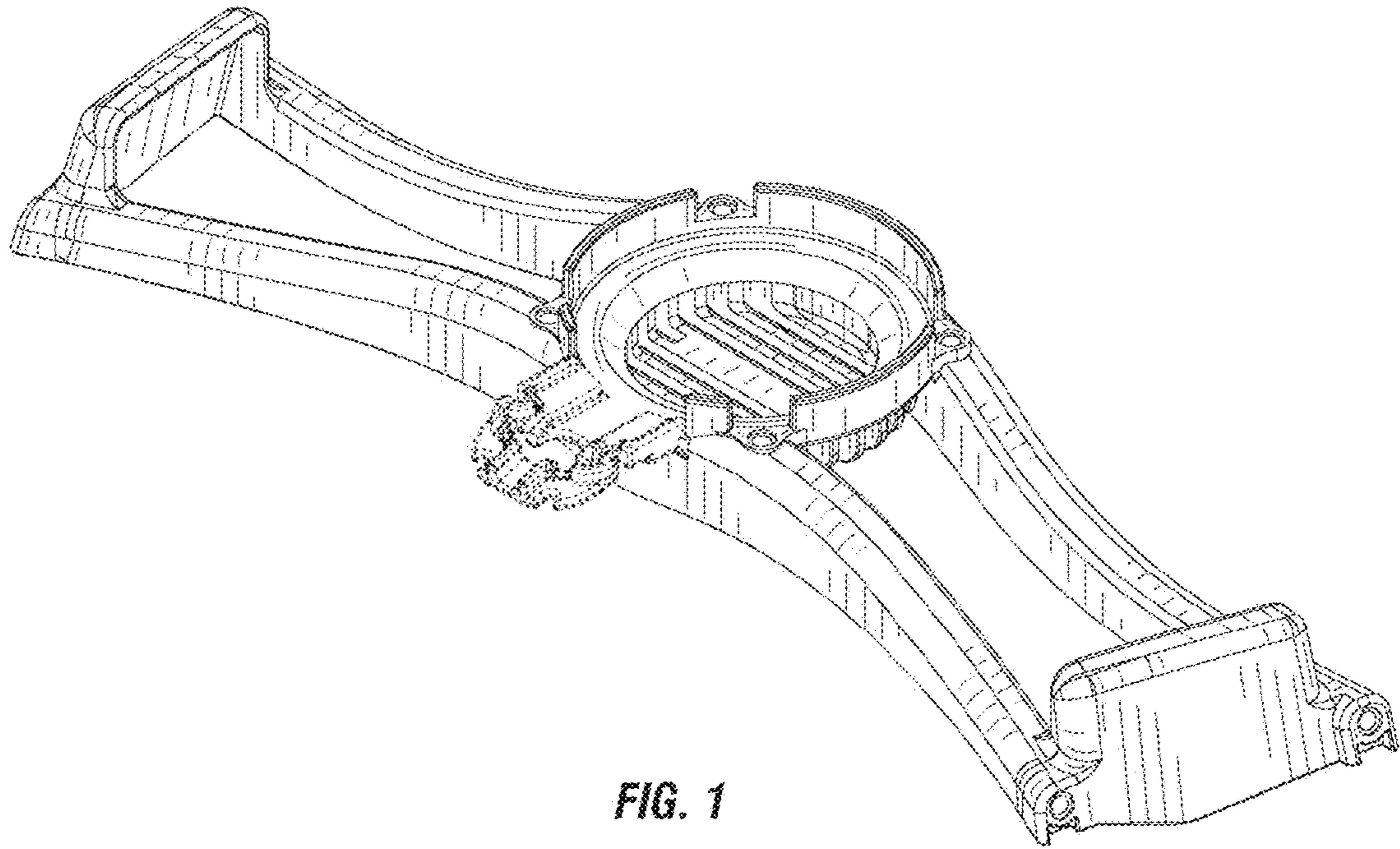


FIG. 1

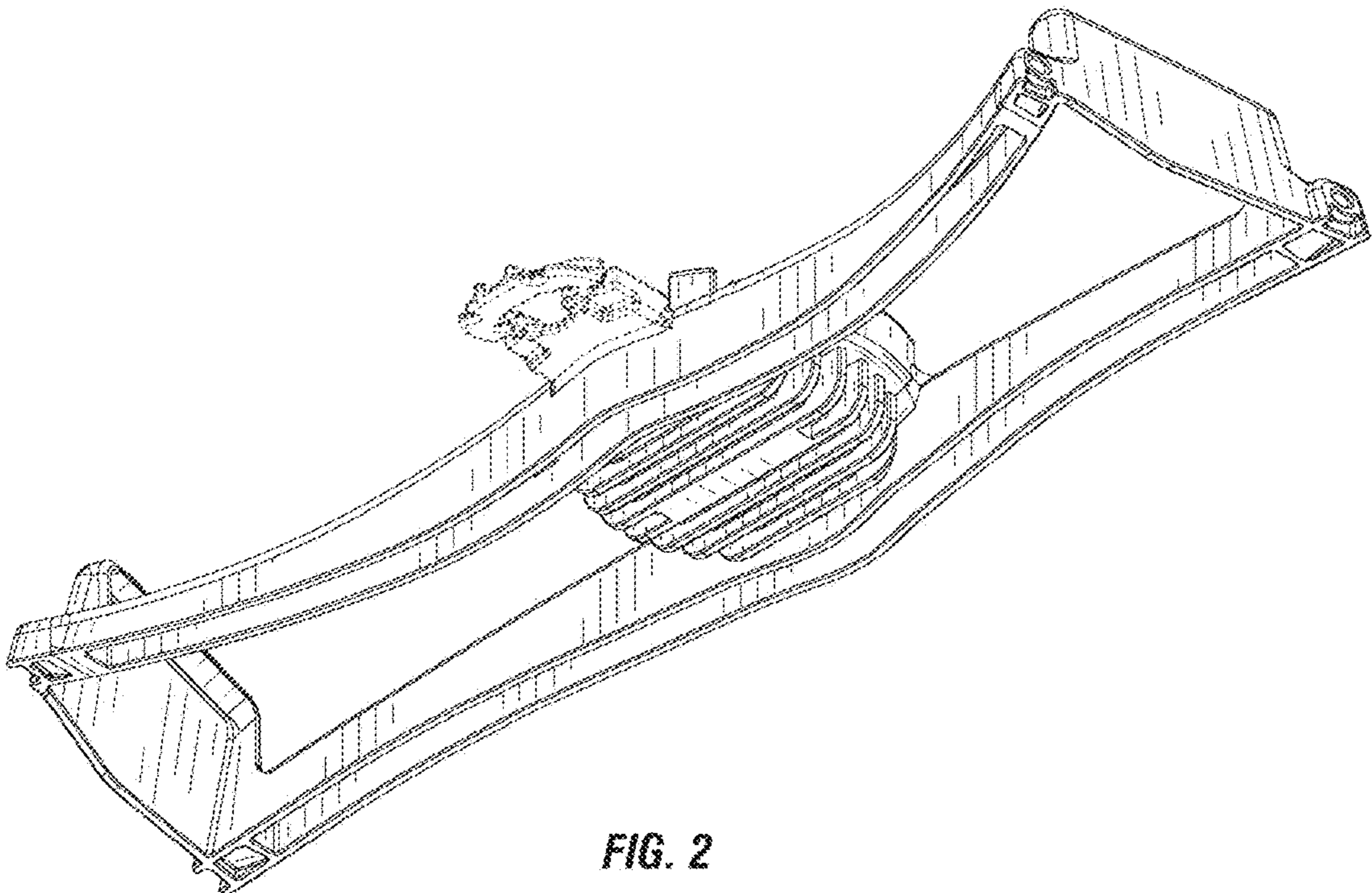


FIG. 2

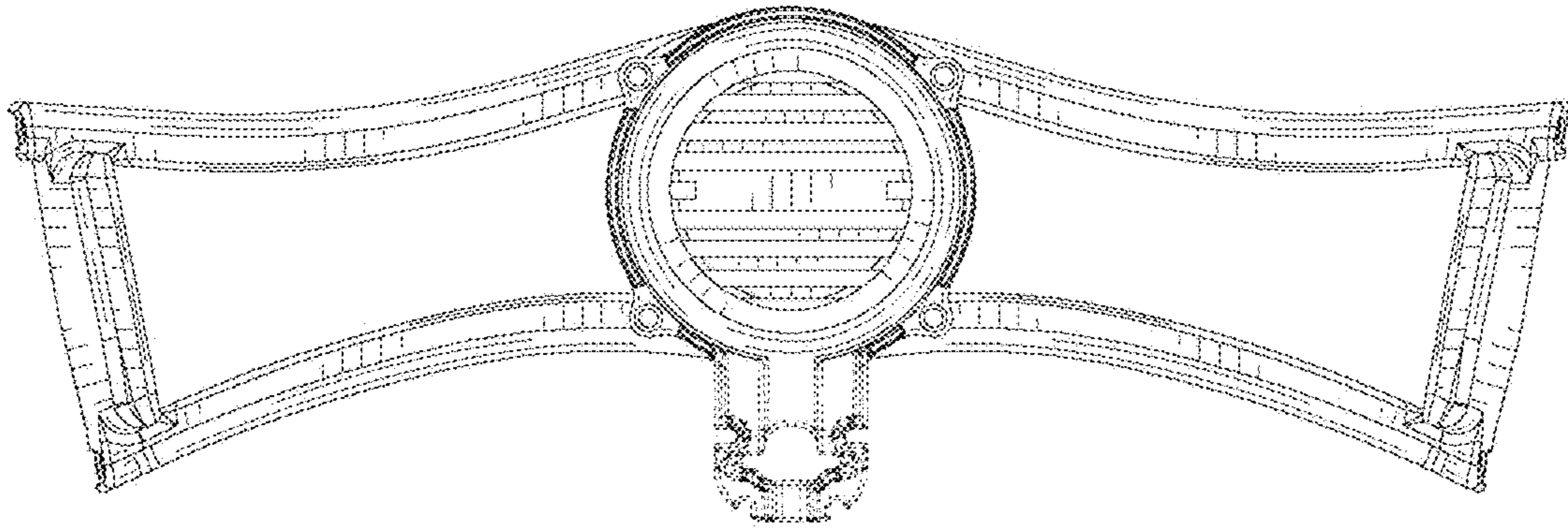


FIG. 3

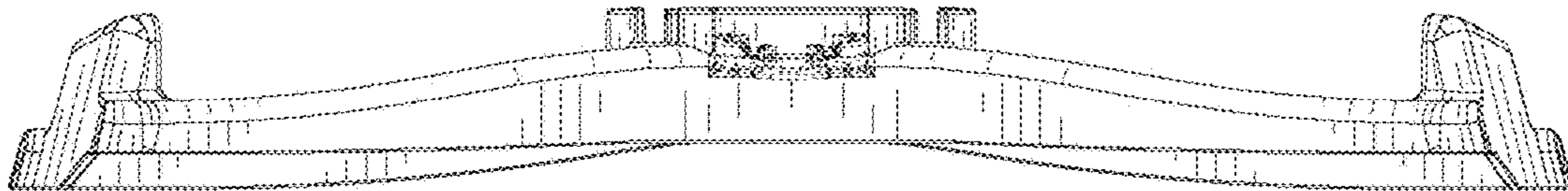


FIG. 4

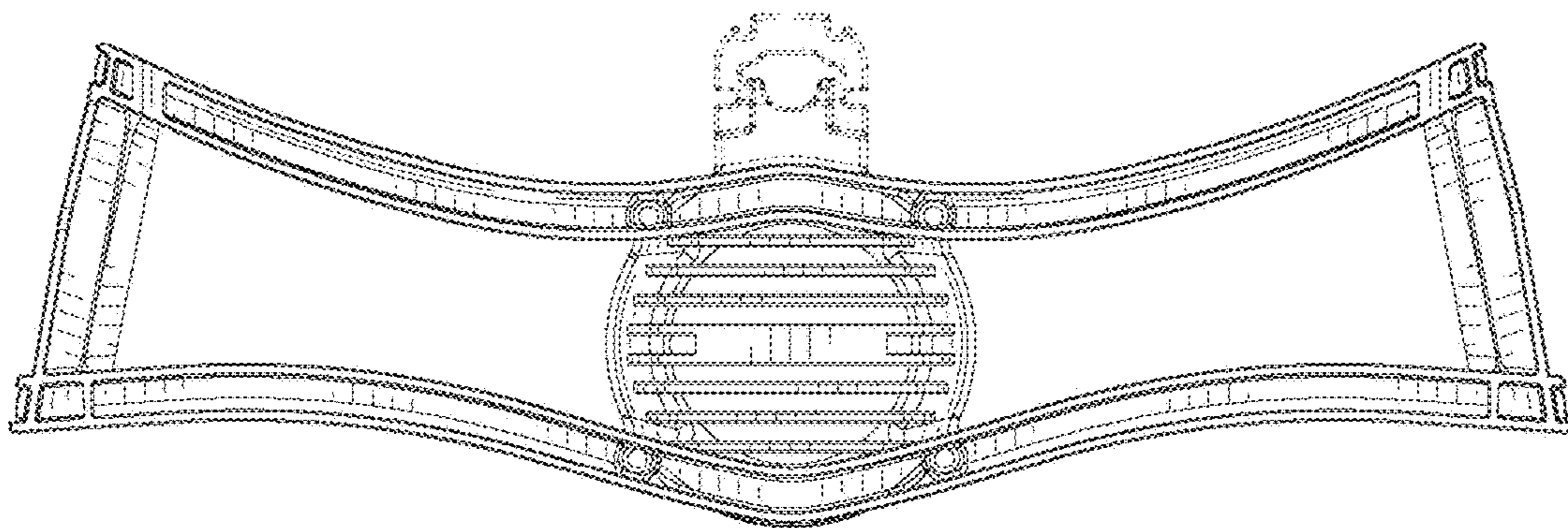


FIG. 5

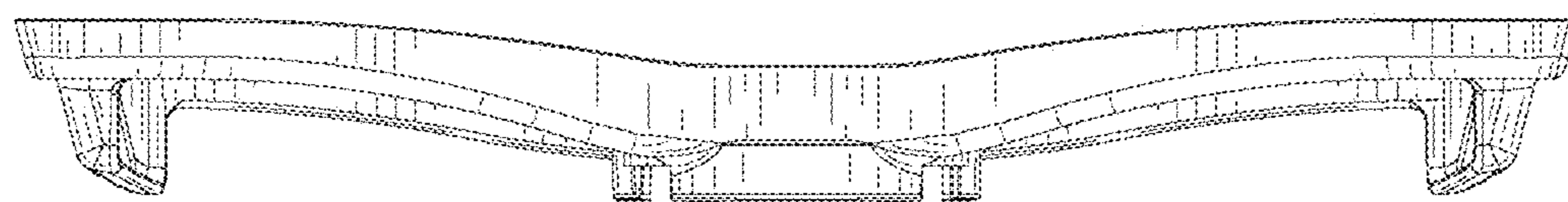


FIG. 6

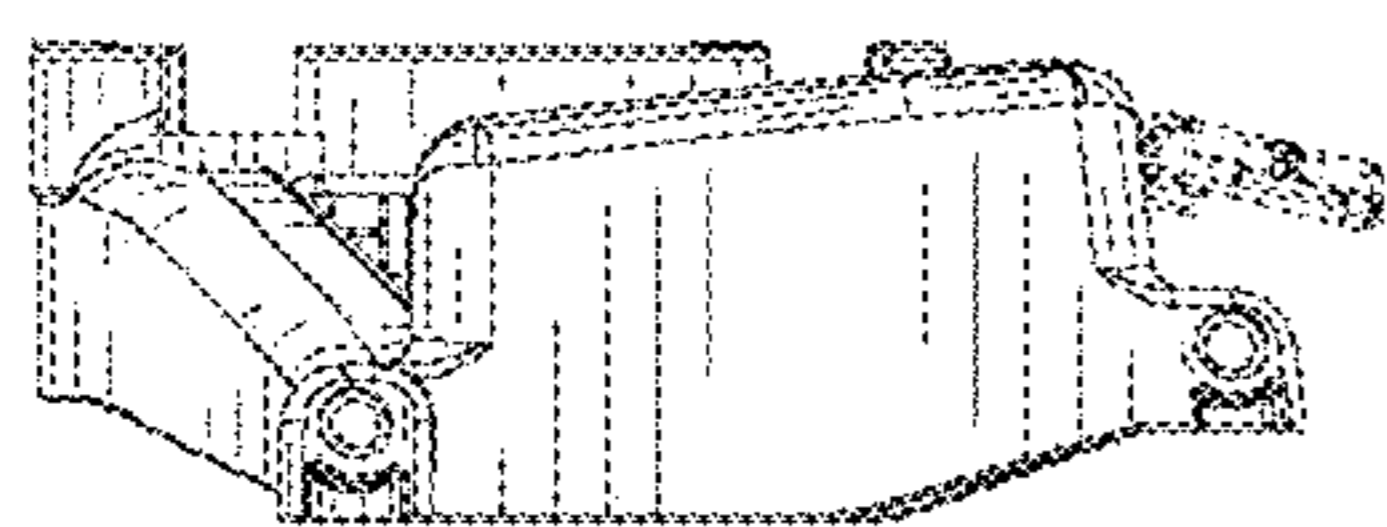


FIG. 7

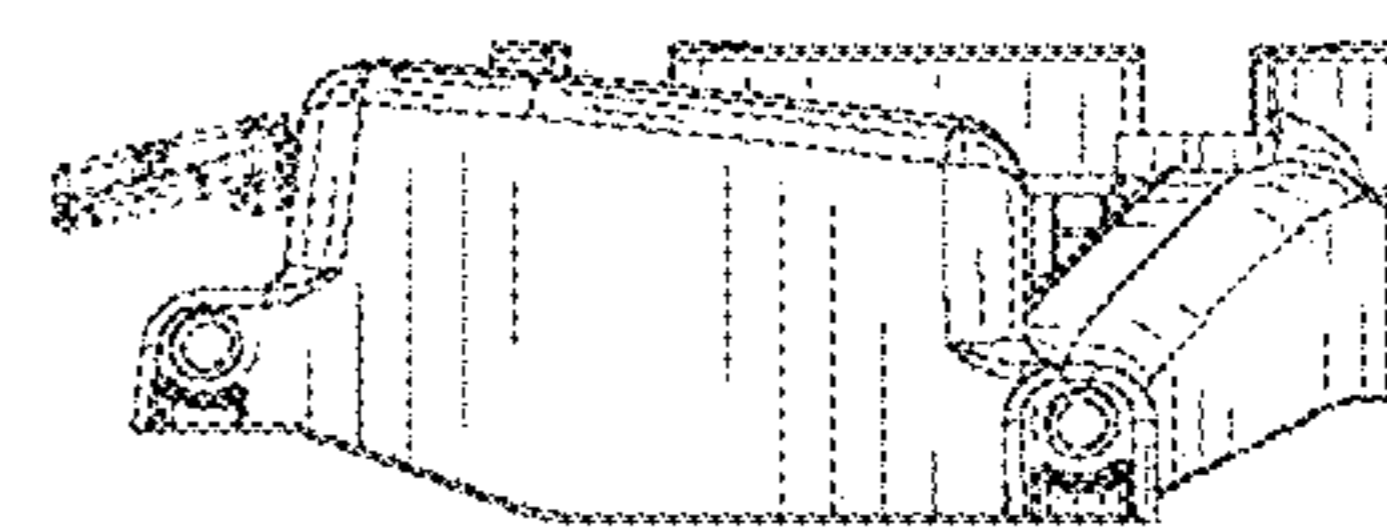


FIG. 8