



US00D797858S

(12) **United States Design Patent**  
**Brown**

(10) **Patent No.:** **US D797,858 S**

(45) **Date of Patent:** **\*\* Sep. 19, 2017**

(54) **LOCKABLE WAGERING CHIP CONTAINER**

(71) Applicant: **Chip Locker LLC**, Lake Forest, IL (US)

(72) Inventor: **Eric Brown**, Lake Forest, IL (US)

(73) Assignee: **CHIP LOCKER LLC**, Lake Forest, IL (US)

(\*\*) Term: **15 Years**

(21) Appl. No.: **29/536,789**

(22) Filed: **Aug. 19, 2015**

(51) **LOC (10) Cl.** ..... **21-01**

(52) **U.S. Cl.**  
USPC ..... **D21/392**

(58) **Field of Classification Search**  
USPC ..... D21/385, 392; D9/736, 749, 755  
CPC ..... A47G 23/0225; A45C 11/04  
See application file for complete search history.

(56) **References Cited**

**U.S. PATENT DOCUMENTS**

D314,912 S *	2/1991	Rey Pascual	.....	D9/500
D357,420 S *	4/1995	Wong	.....	D10/18
D399,540 S *	10/1998	Wolfenstein	.....	D21/392
D407,972 S *	4/1999	Hilton	.....	D9/422
D441,934 S *	5/2001	Leess	.....	D34/7

D548,122 S *	8/2007	Vantine	.....	D10/91
D550,110 S *	9/2007	Kesselman	.....	D10/91
D578,576 S *	10/2008	Montanari	.....	D21/392
D596,350 S *	7/2009	Fuente	.....	D27/189
7,815,048 B2 *	10/2010	Bean	.....	A47G 23/0225 206/217
D665,172 S *	8/2012	Fulghum	.....	D3/315
D698,376 S *	1/2014	Funato	.....	D15/138

\* cited by examiner

*Primary Examiner* — Darlington Ly

*Assistant Examiner* — Daniel J Domino

(74) *Attorney, Agent, or Firm* — Troutman Sanders LLP

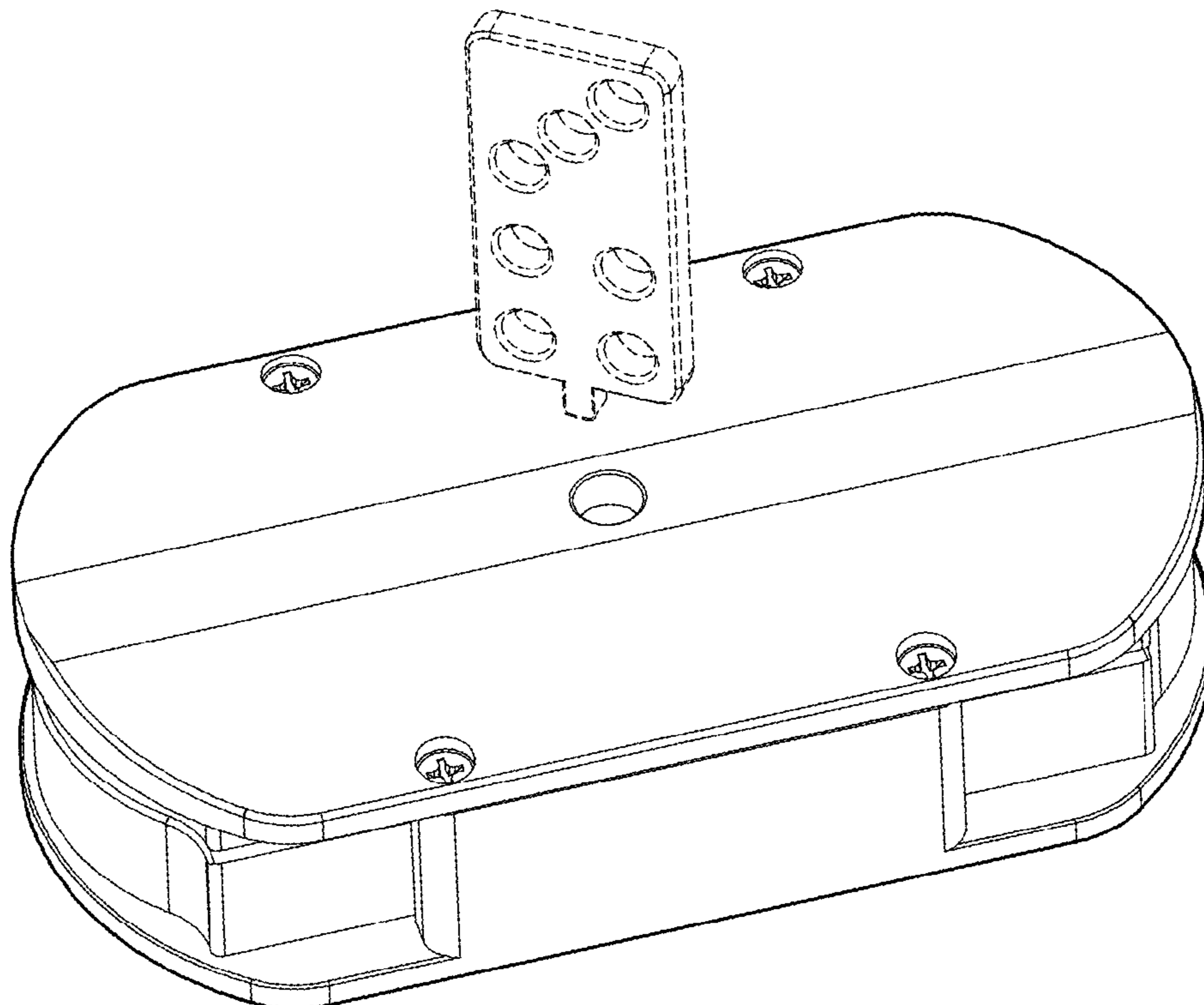
(57) **CLAIM**

The ornamental design for a lockable wagering chip container, as shown.

**DESCRIPTION**

FIG. 1 is a top perspective view of a lockable wagering chip container showing my new design; FIG. 2 is a top plan view thereof; FIG. 3 is a side elevation view thereof; and, FIG. 4 is an end elevation view thereof. The broken line showing a key is provided for the purposes of illustrating environmental structure and forms no part of the claimed design.

**1 Claim, 3 Drawing Sheets**



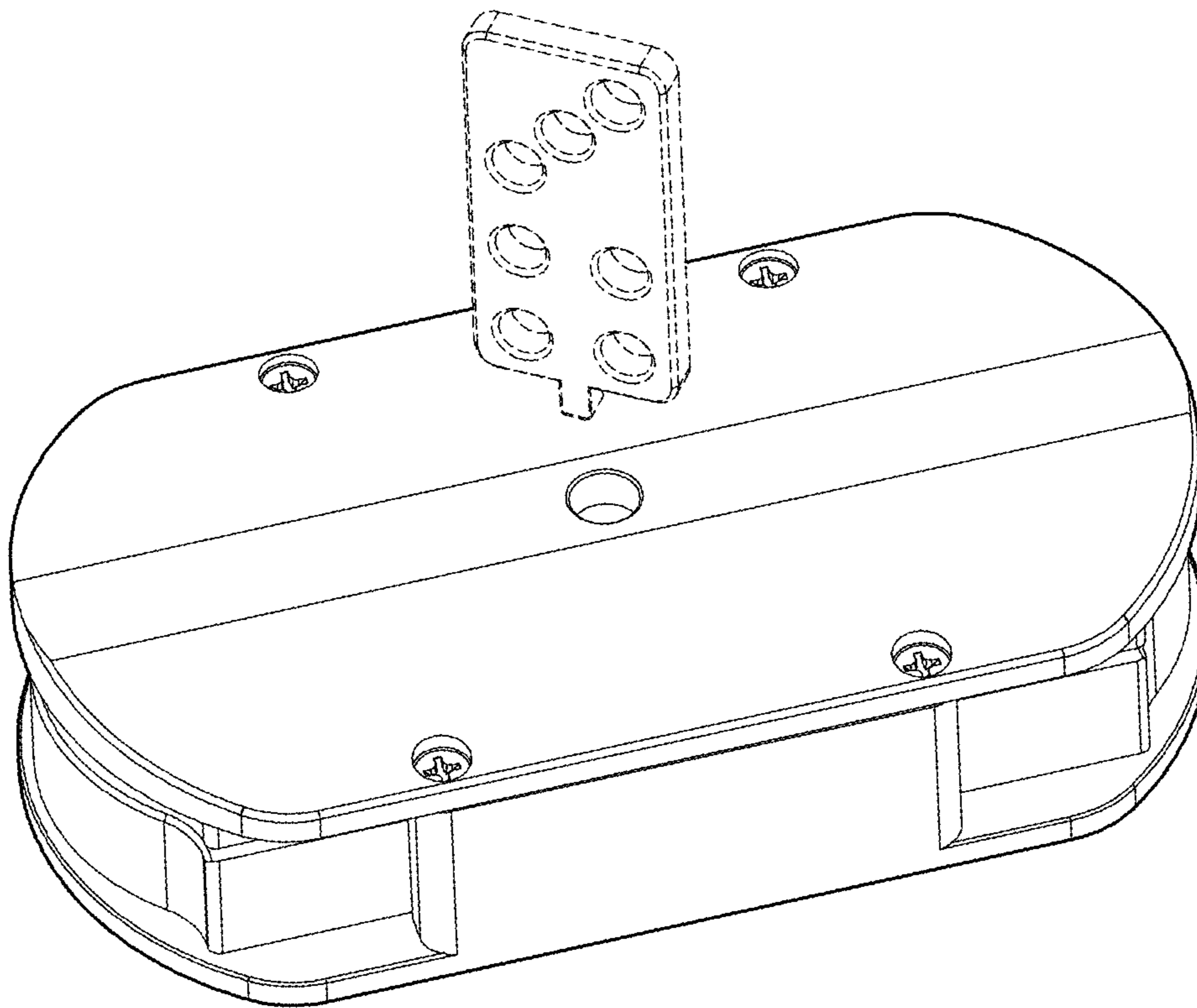


FIG. 1

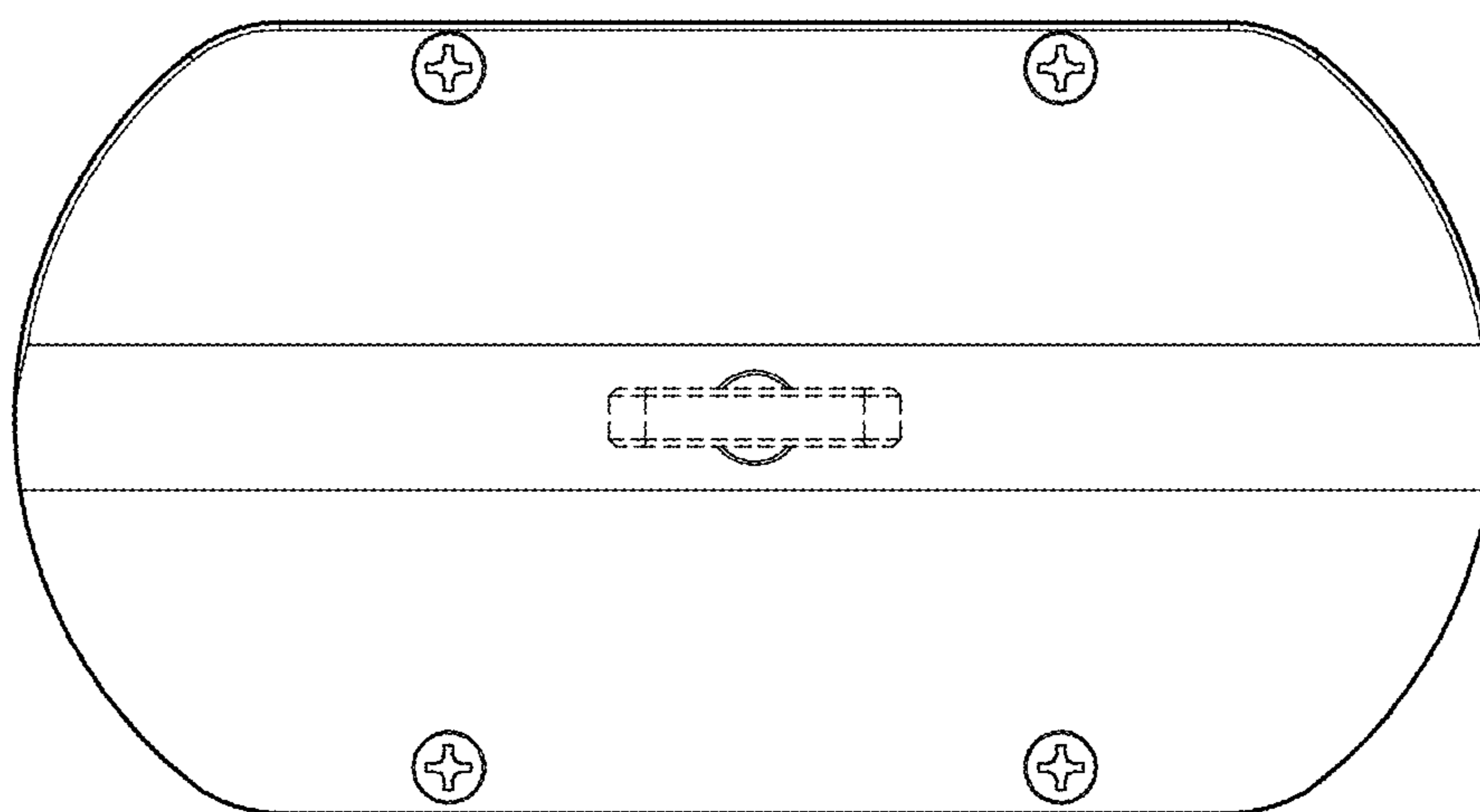


FIG. 2

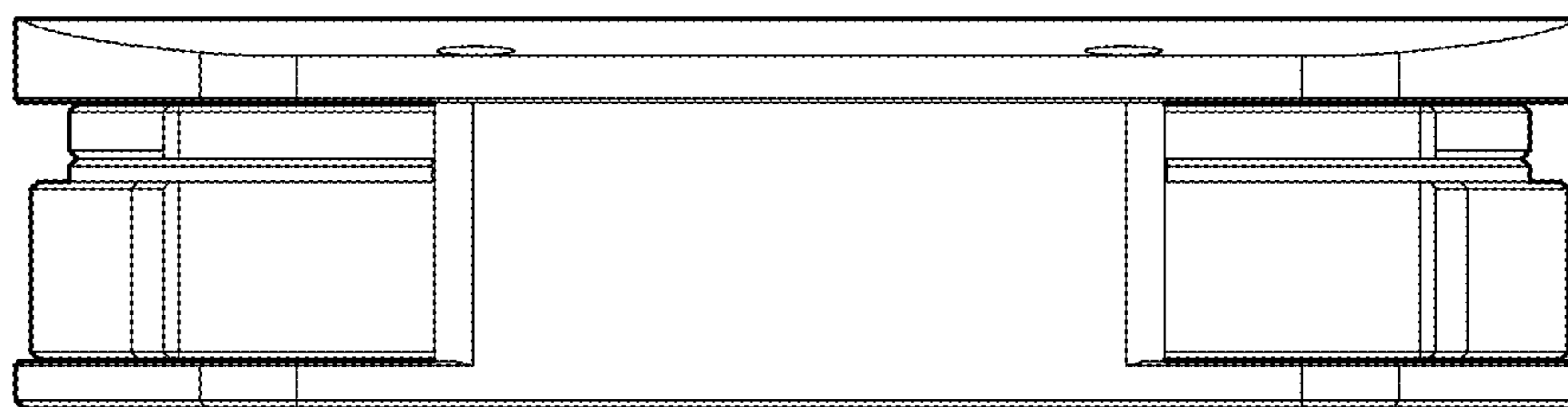
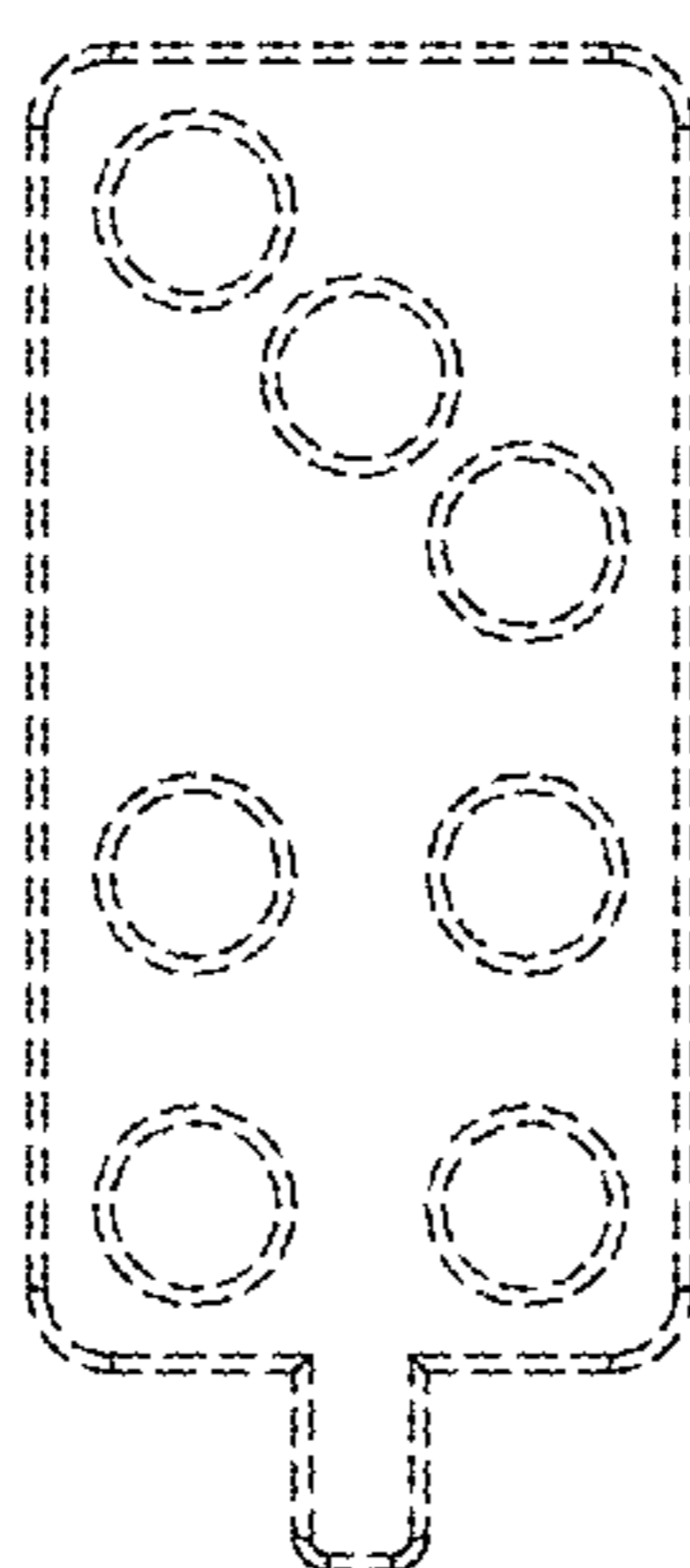


FIG. 3

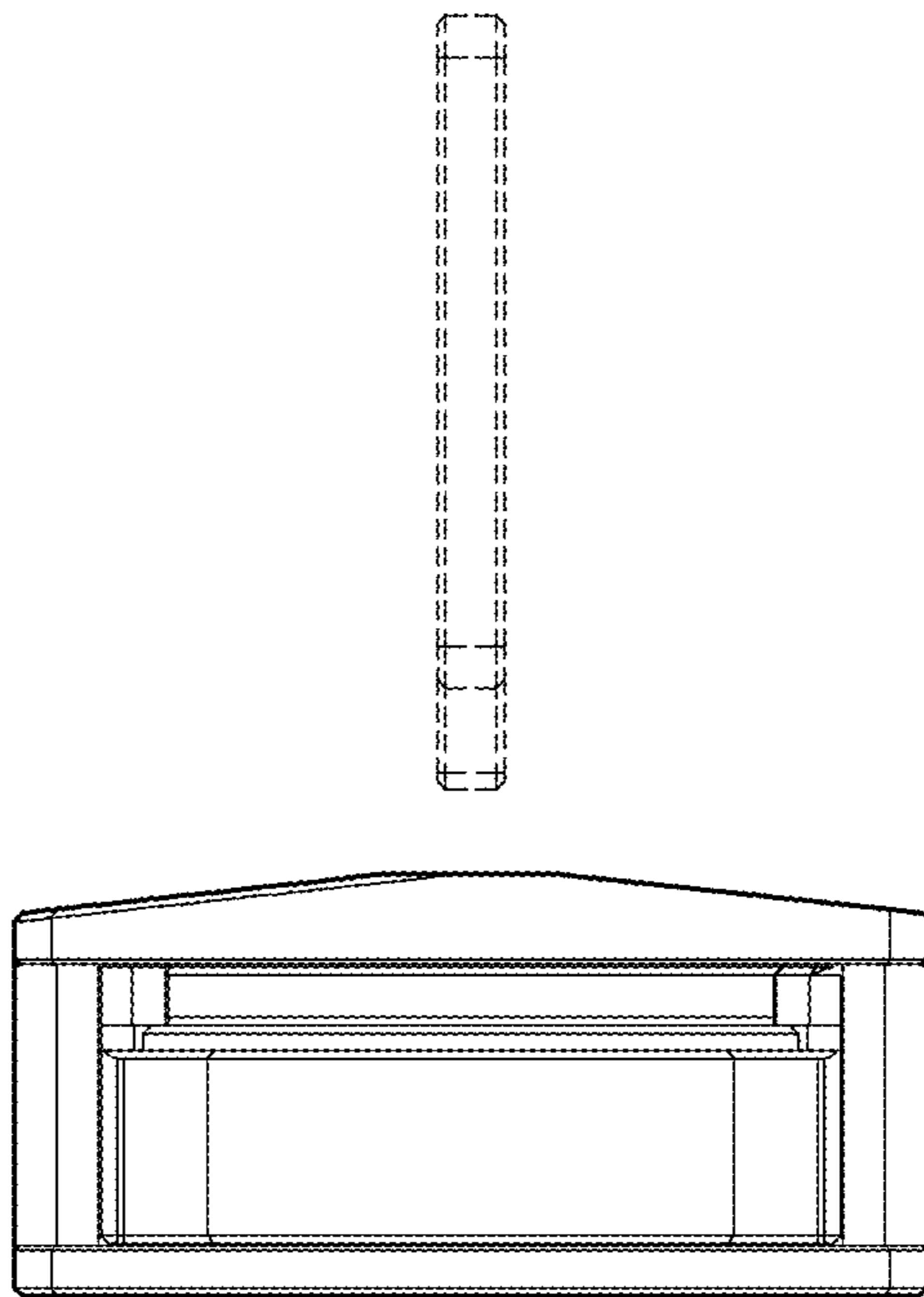


FIG. 4