



US00D797857S

(12) **United States Design Patent** (10) **Patent No.:** **US D797,857 S**
McPhillips (45) **Date of Patent:** **** Sep. 19, 2017**

(54) **PANEL CONNECTOR**

FOREIGN PATENT DOCUMENTS

(71) Applicant: **Atomic Design Inc.**, Lititz, PA (US)

AU 2012261483 A1 6/2013
CA 1263233 A1 11/1989

(72) Inventor: **Thomas McPhillips**, Manheim, PA (US)

(Continued)

(73) Assignee: **Atomic Design Inc.**, Lititz, PA (US)

OTHER PUBLICATIONS

(**) Term: **15 Years**

Installation Instructions for Pillow Wall, by Atomic, www.atomicrental.tv, (717-626-4408), dated Nov. 25, 2013, 1 page.

(21) Appl. No.: **29/530,798**

(Continued)

(22) Filed: **Jun. 19, 2015**

Primary Examiner — Mary Ann Calabrese

(51) **LOC (10) Cl.** **20-99**

(74) *Attorney, Agent, or Firm* — Barley Snyder

(52) **U.S. Cl.**

(57) **CLAIM**

USPC **D20/99**

The ornamental design for a panel connector, as shown and described.

(58) **Field of Classification Search**

DESCRIPTION

USPC D20/10, 19, 43, 99; D8/349
CPC . G09F 3/0395; G09F 7/18; G09F 7/20; G09F 2007/1847; G09F 2007/1856; G09F 2007/1873; G09F 2007/1891; A47B 11/00; A47F 5/10; A47F 5/0823; A45B 25/12; F16M 11/10

FIG. 1 is a top, front and right side perspective view of a panel connector, showing the new design; FIG. 2 is a top, rear, and left side perspective view thereof; FIG. 3 is another top, rear, and left side perspective view thereof;

See application file for complete search history.

FIG. 4 is a top plan view thereof;

(56) **References Cited**

U.S. PATENT DOCUMENTS

1,525,515 A 2/1925 Socha
2,692,689 A 10/1954 Wynne, Sr.
2,970,396 A 2/1961 Worrell
3,426,913 A 2/1969 Abatiell, Jr.
3,537,199 A 11/1970 Lawson
3,571,999 A 3/1971 Downing
3,593,474 A 7/1971 Neels
3,596,701 A 8/1971 Cowan
3,936,111 A 2/1976 Mazzucconi
4,001,987 A 1/1977 Coulthard
4,114,160 A 9/1978 Verini
4,807,837 A 2/1989 Gawlik et al.

FIG. 5 is a rear elevation view thereof.

FIG. 6 is a front elevation view thereof;

FIG. 7 is a bottom plan view thereof;

FIG. 8 is a right side elevation view thereof;

FIG. 9 is a left side elevation view thereof;

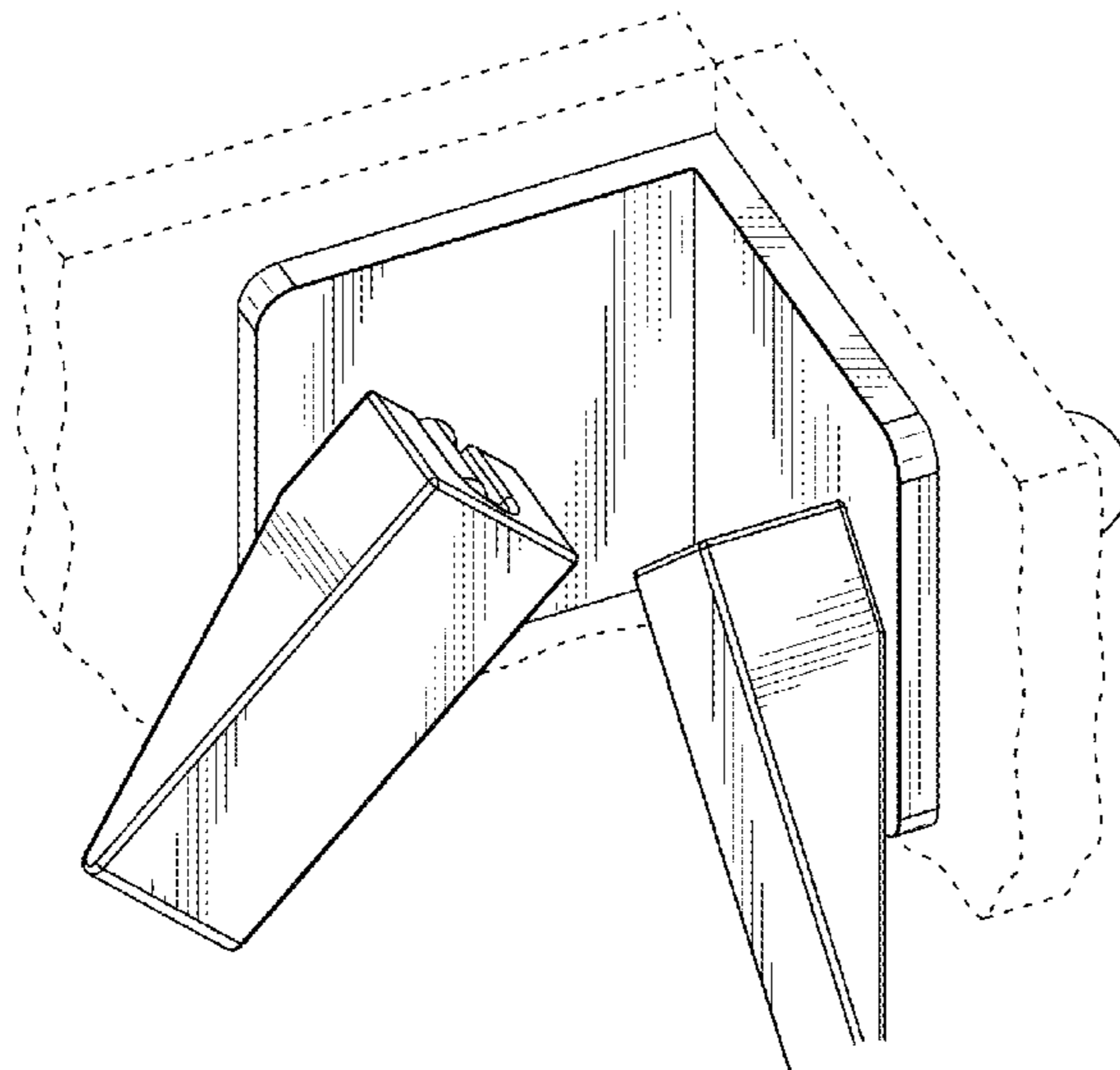
FIG. 10 is a bottom, front and right side perspective view thereof; and,

FIG. 11 is a top, front and right side exploded perspective view thereof.

The broken lines shown in the Figures are included to show unclaimed subject matter only and form no part of the claimed design.

(Continued)

1 Claim, 6 Drawing Sheets



(56)

References Cited

U.S. PATENT DOCUMENTS

5,036,641 A 8/1991 Viry
 5,061,018 A 10/1991 Pederson et al.
 5,320,322 A * 6/1994 Williams G09F 7/18
 116/173
 5,344,115 A 9/1994 Mayne et al.
 5,374,024 A * 12/1994 Williams G09F 7/18
 116/173
 5,478,041 A 12/1995 Mayne
 5,671,852 A 9/1997 Maharg
 5,722,477 A 3/1998 Richter et al.
 5,993,287 A 11/1999 Melashenko et al.
 6,340,046 B1 1/2002 Basseches
 6,370,803 B1 4/2002 Burquest
 6,419,332 B1 7/2002 Caldwell, Jr. et al.
 6,698,124 B2 * 3/2004 Kump A47F 5/0823
 248/220.41
 6,702,640 B1 3/2004 Park
 6,718,709 B2 4/2004 Koutras et al.
 6,758,454 B2 * 7/2004 Smed F16M 11/10
 248/278.1
 6,789,774 B2 * 9/2004 Painchaud A45B 25/12
 248/229.14
 6,983,853 B1 1/2006 Fickett
 D618,282 S 6/2010 Kosir
 7,874,090 B2 1/2011 Flagg
 D634,745 S 3/2011 Park et al.
 8,069,632 B2 12/2011 Li
 8,083,189 B2 12/2011 Sun et al.
 D708,504 S 7/2014 Kaplan
 D709,203 S 7/2014 Shikata
 D723,624 S 3/2015 McPhillips
 D736,858 S 8/2015 McPhillips
 D756,463 S * 5/2016 McPhillips D20/42
 2002/0036908 A1 3/2002 Pederson
 2002/0154789 A1 10/2002 Rodgers
 2003/0000904 A1 1/2003 Lung et al.

2003/0192271 A1 10/2003 Koutras et al.
 2004/0035987 A1 2/2004 Oddsen, Jr.
 2004/0089782 A1 5/2004 Eliason et al.
 2007/0107853 A1 5/2007 Hsieh
 2009/0134285 A1 5/2009 Huang
 2009/0196034 A1 8/2009 Gherardini et al.
 2010/0083544 A1 * 4/2010 Shirley G09F 1/10
 40/584
 2012/0169999 A1 7/2012 Cavendish et al.
 2014/0183309 A1 7/2014 Pasho
 2014/0197123 A1 7/2014 McPhillips
 2014/0197124 A1 * 7/2014 McPhillips G09F 19/228
 211/195
 2016/0367050 A1 * 12/2016 McPhillips G09F 15/0068

FOREIGN PATENT DOCUMENTS

DE 8517546.3 U1 1/1985
 DE 29820223 U1 2/1999
 DE 10138986 A 3/2003
 DE 102011015351 A1 10/2012
 EP 1995508 A2 11/2008
 FR 2851442 A1 2/2003

OTHER PUBLICATIONS

PCT Notification, International Search Report and Written Opinion, International Application No. PCT/US2014/011055, dated Jun. 2, 2014, 10 pages.
 PCT Notification, International Search Report, International Application No. PCT/US2014/061074, dated Feb. 25, 2015, 12 pages.
 PCT Notification and International Preliminary Report on Patentability, Application No. PCT/US2014/011055, dated Jul. 14, 2015, 7 pages.
 PCT Notification, International Search Report and Written Opinion of the International Search Authority, Intl. App. No. PCT/US2015/031782, dated Aug. 14, 2015, 11 pages.

* cited by examiner

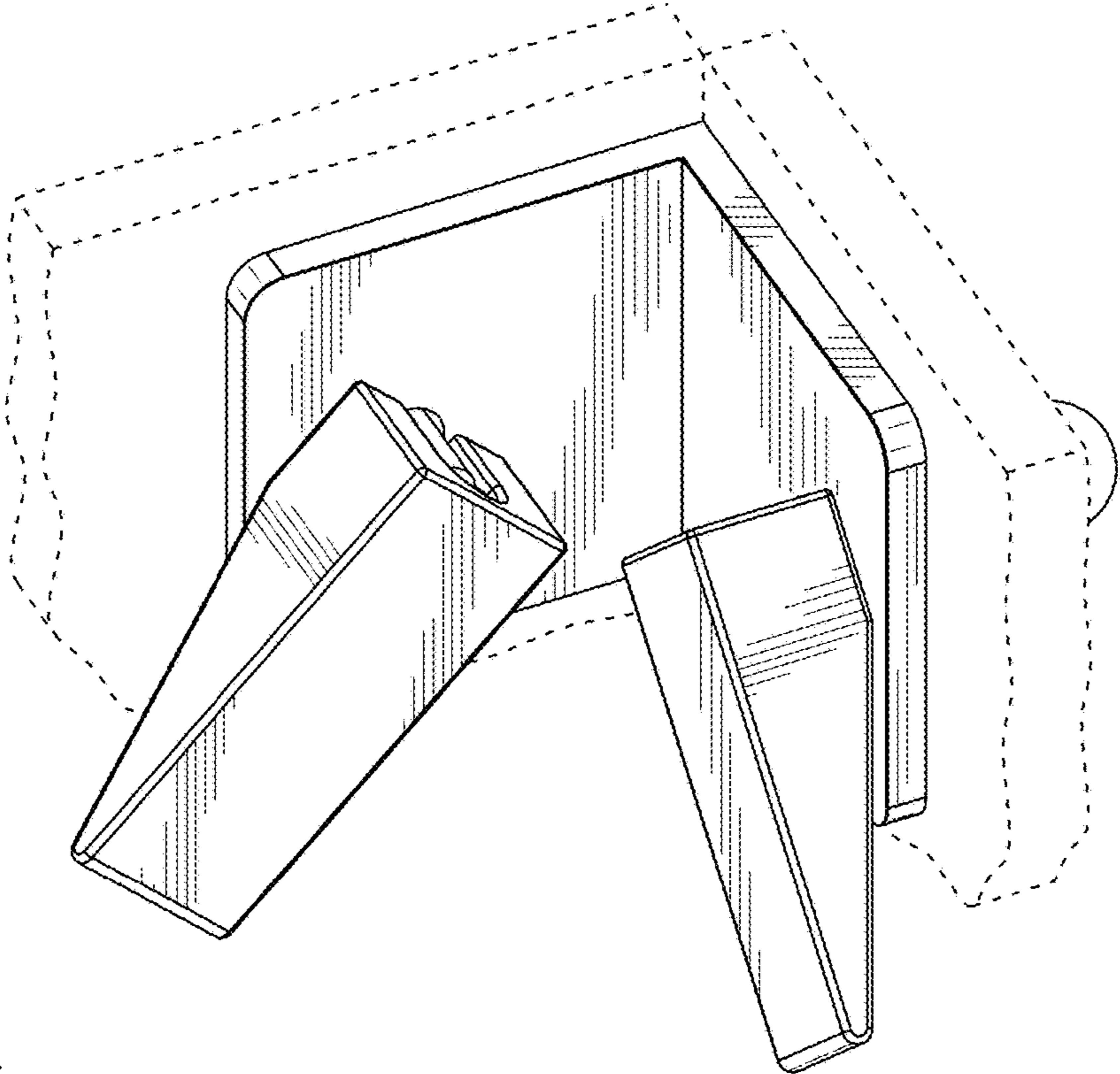


FIG. 1

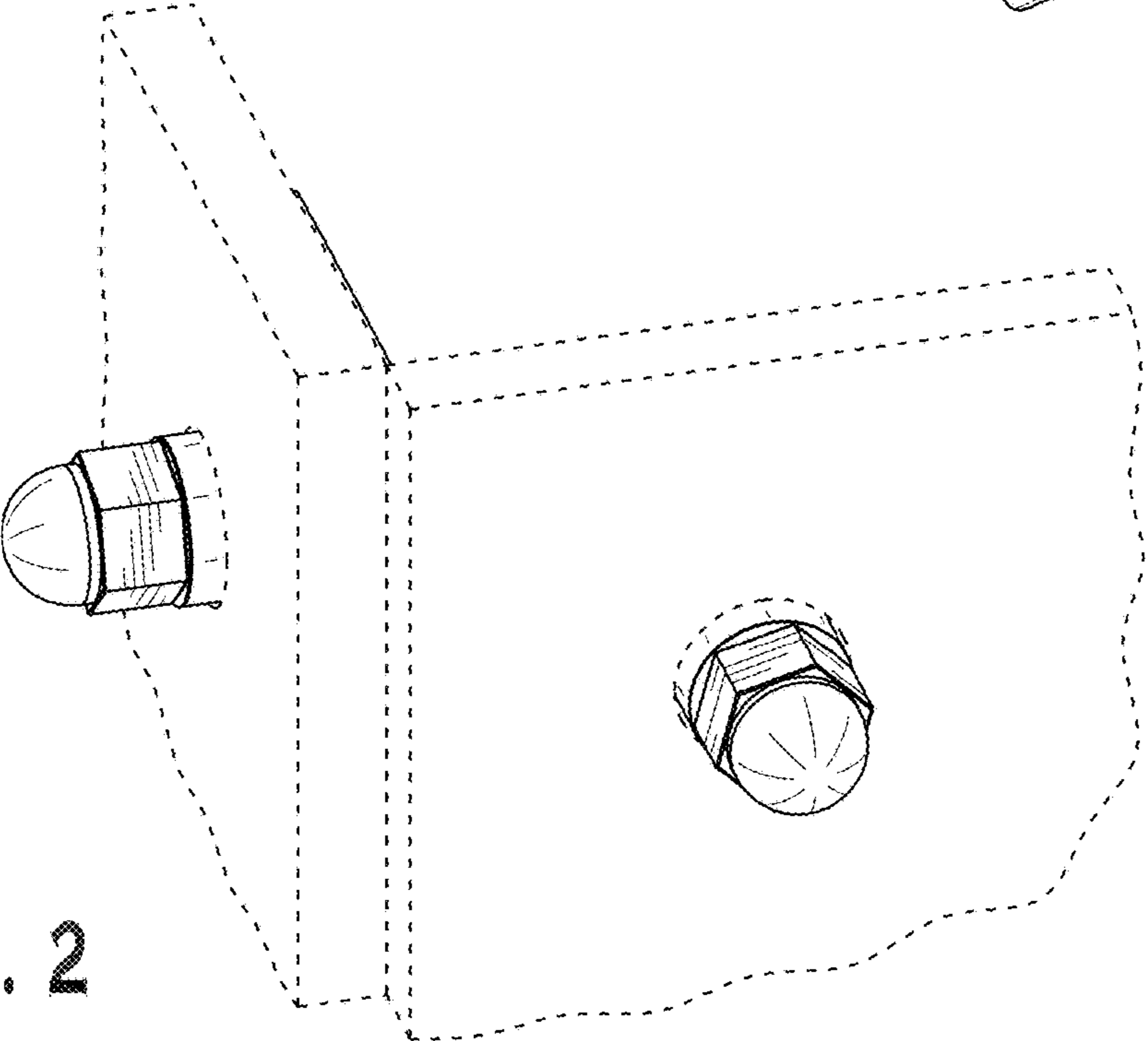


FIG. 2

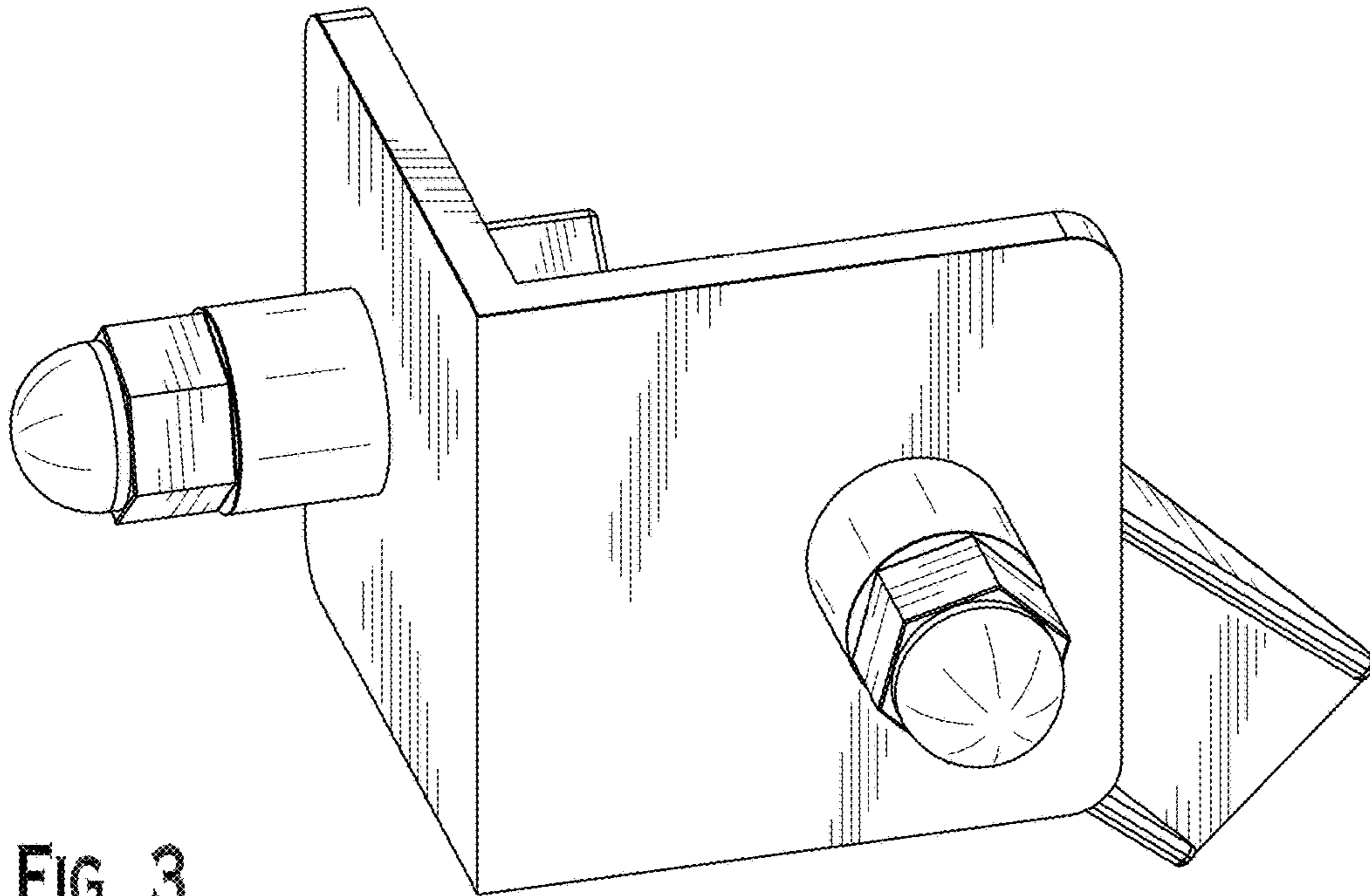


FIG. 3

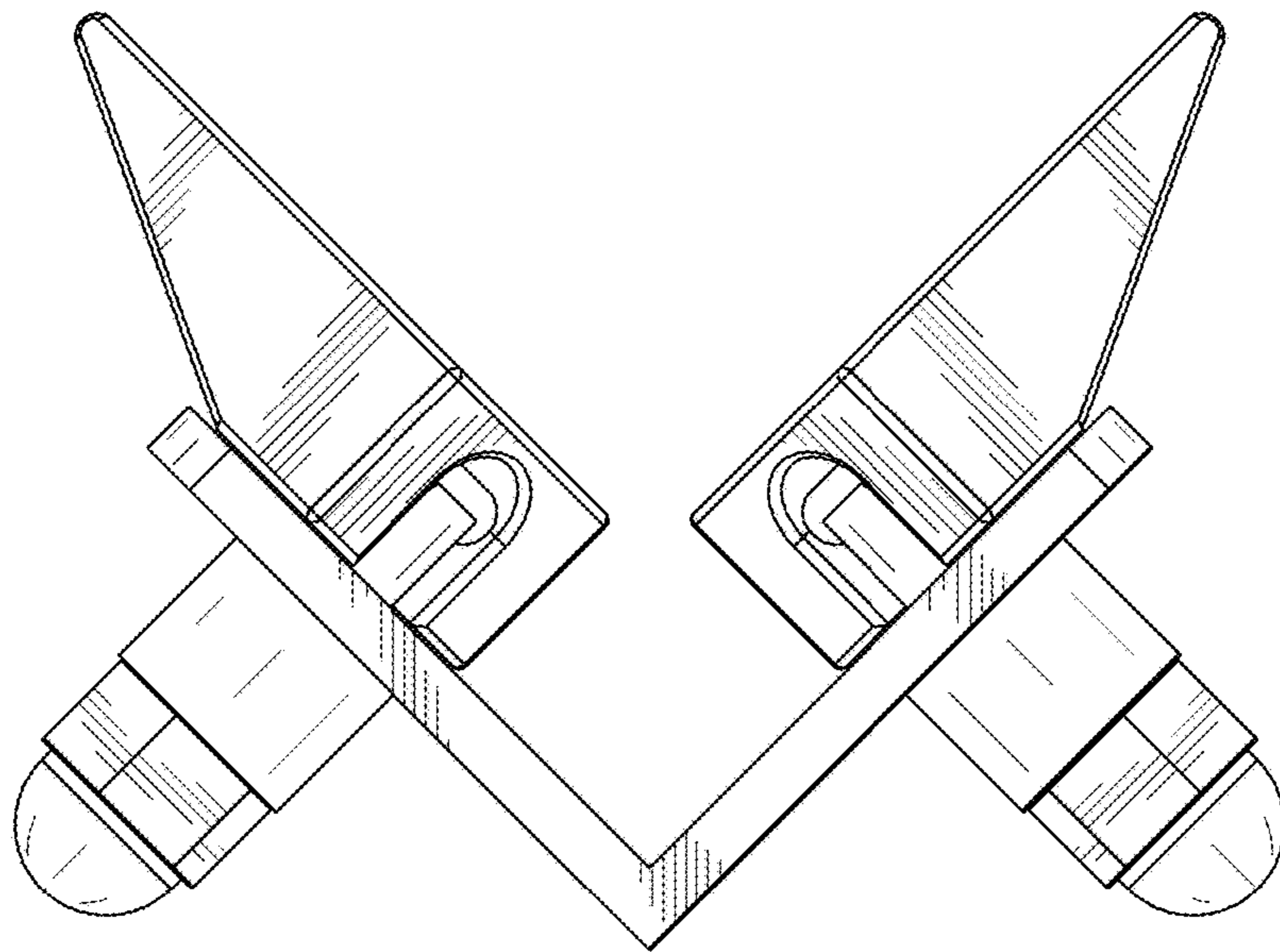


FIG. 4

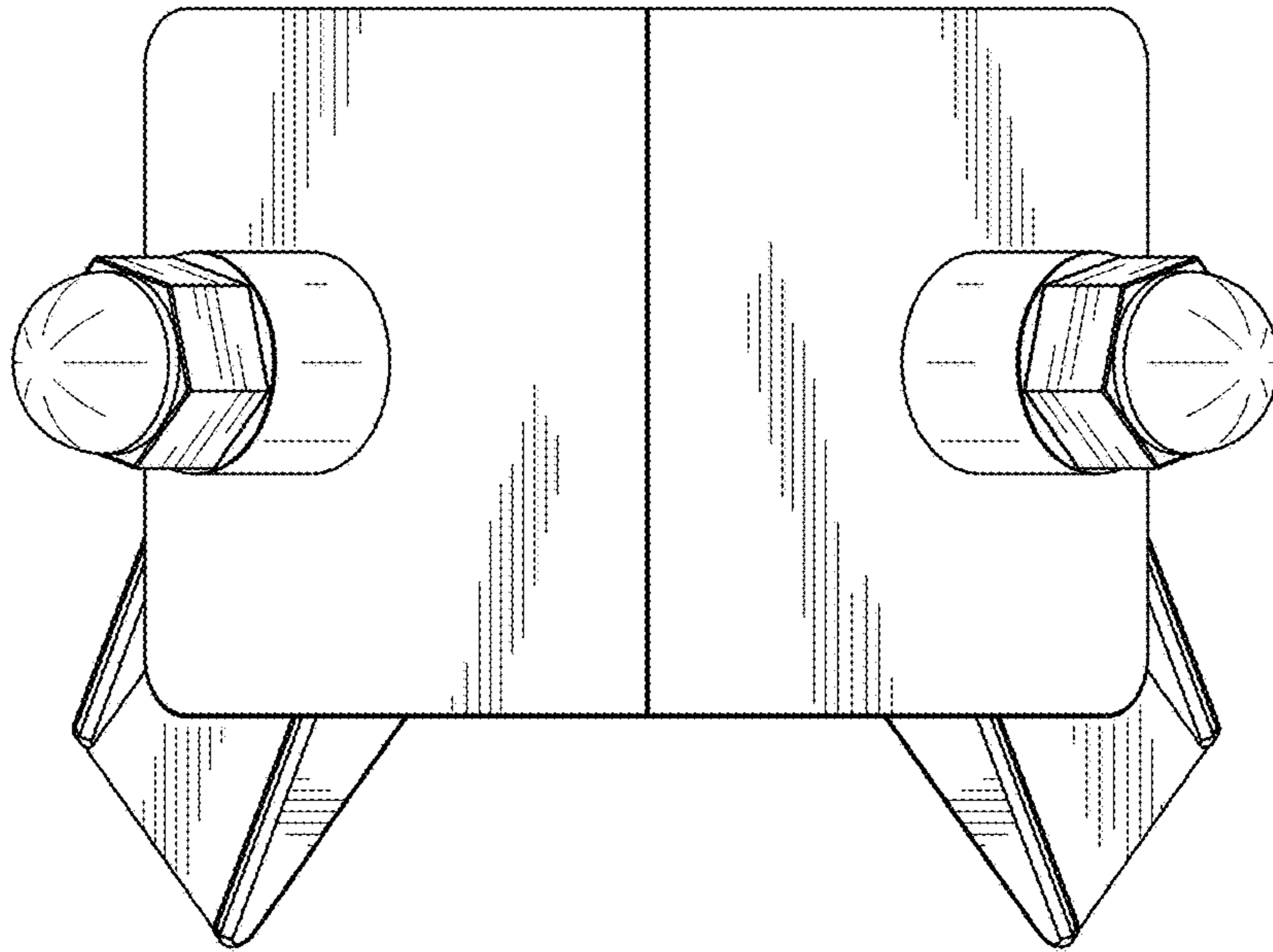


FIG. 5

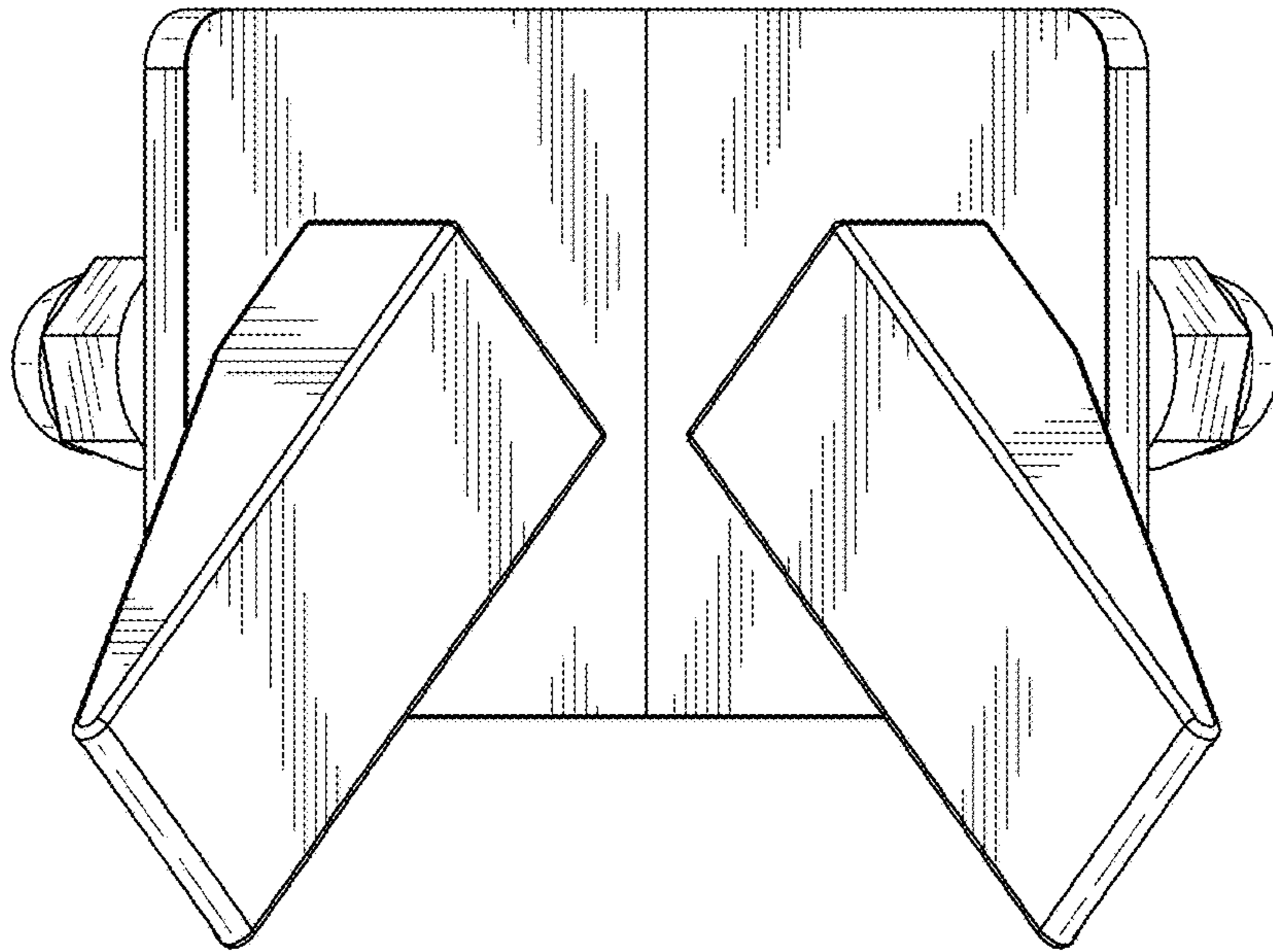


FIG. 6

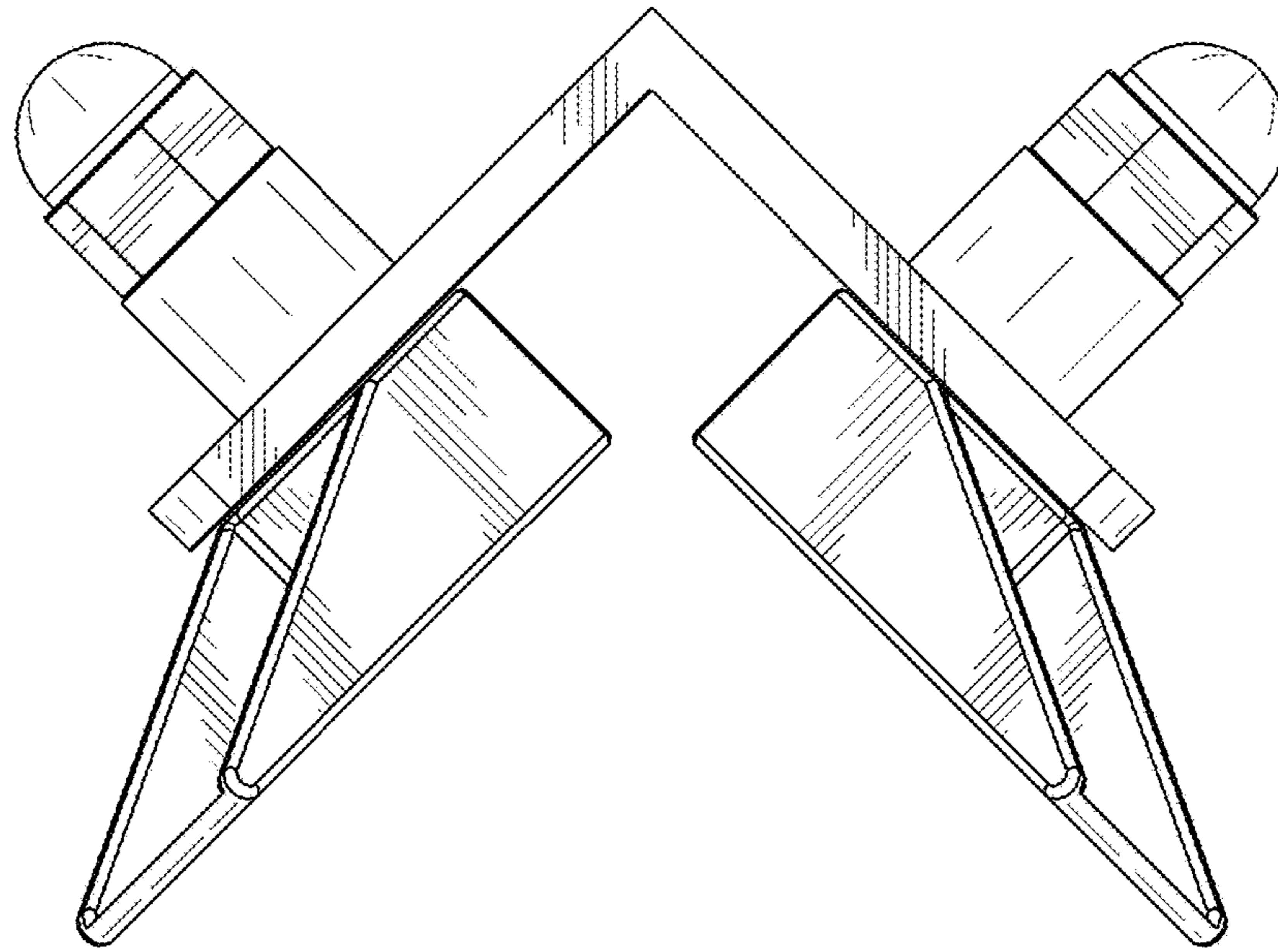


FIG. 7

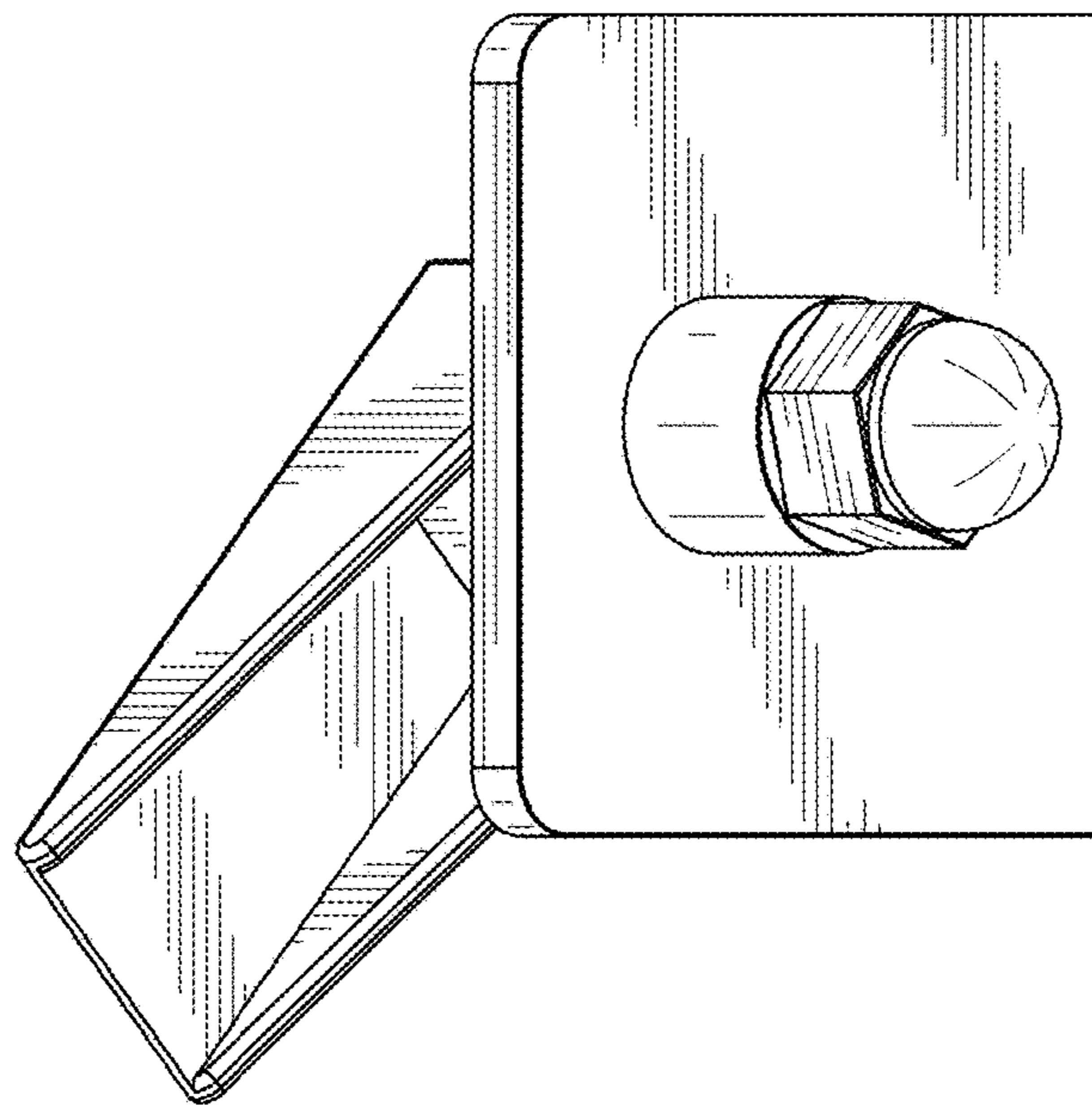


FIG. 8

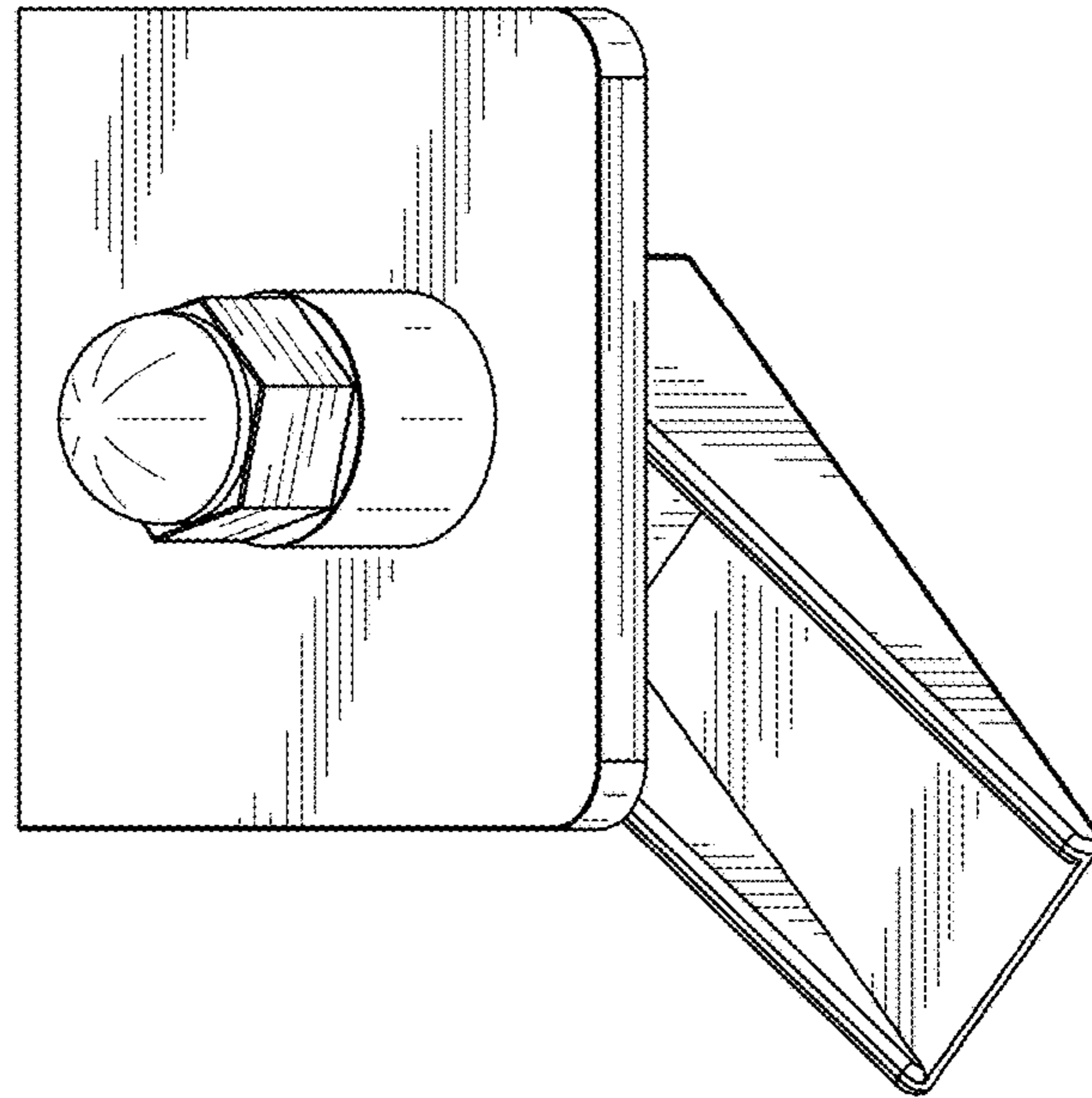


FIG. 9

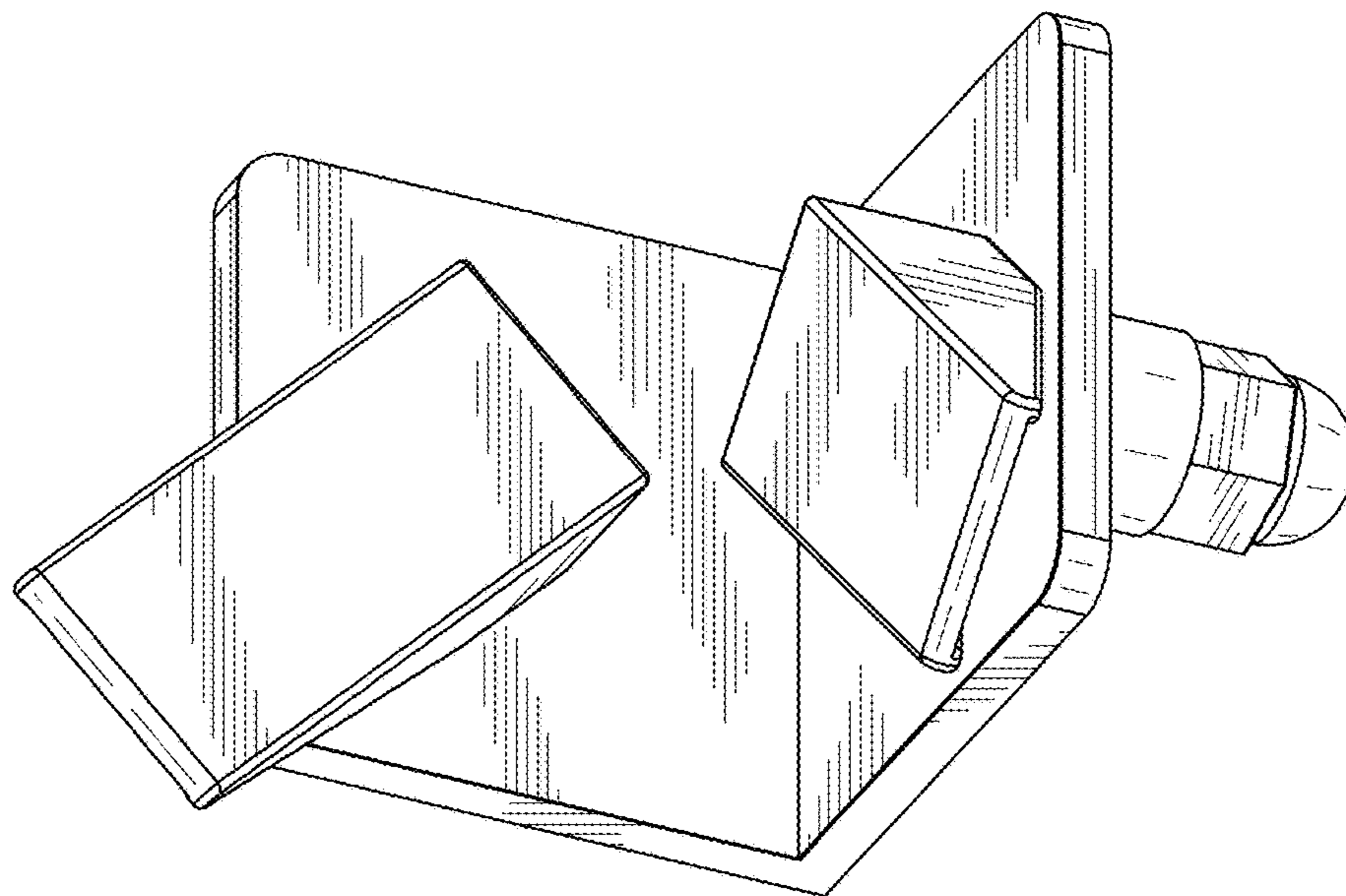


FIG. 10

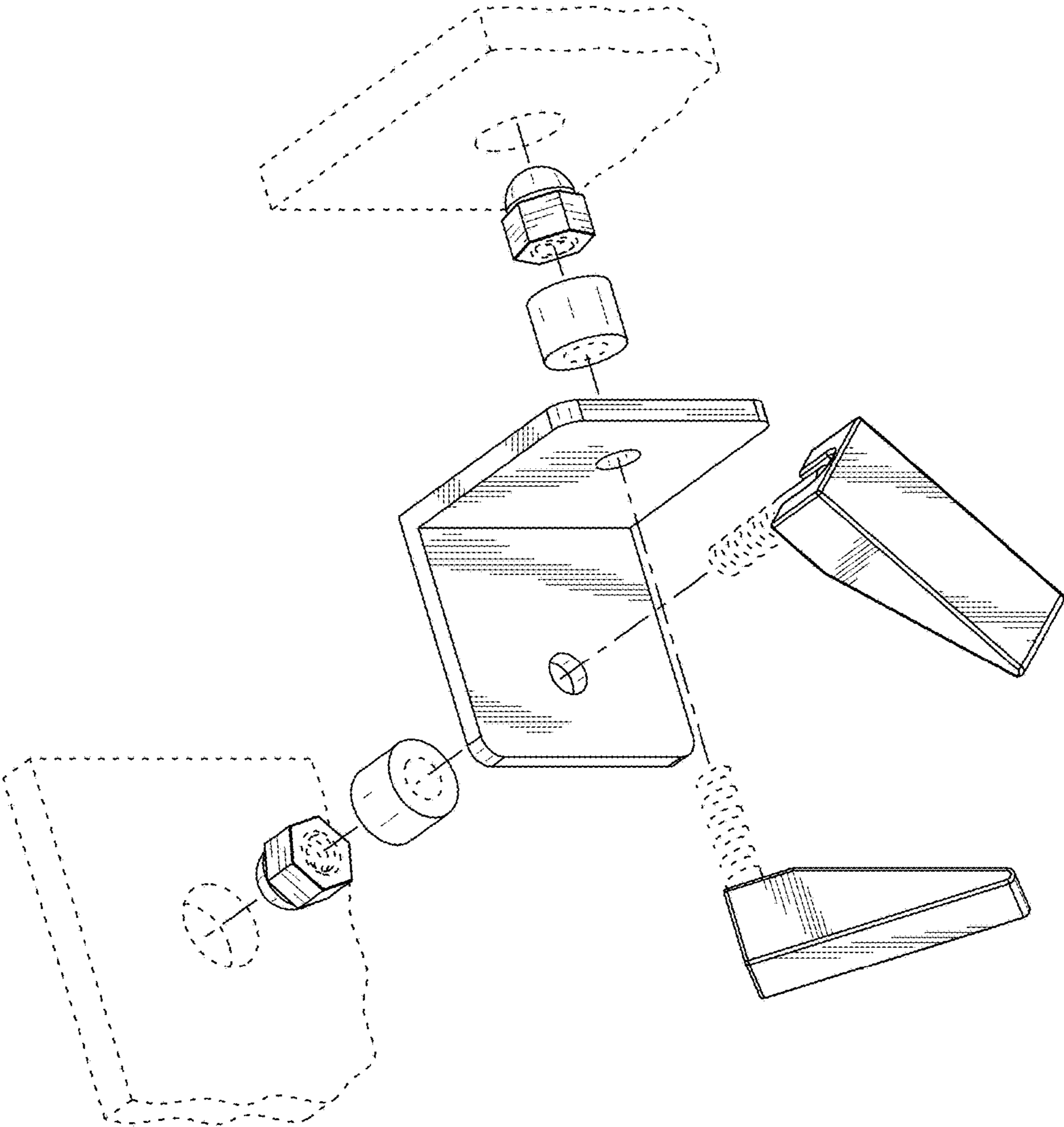


FIG. 11